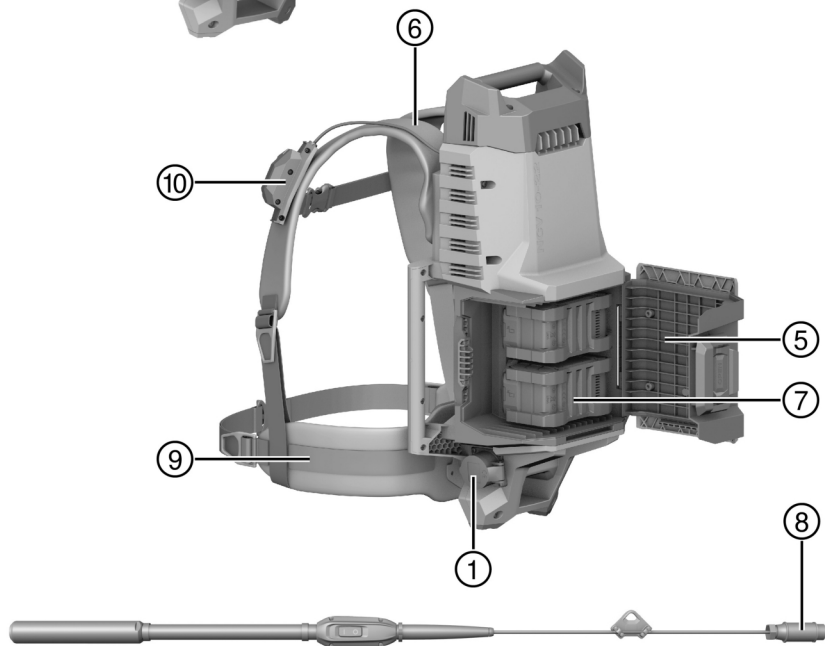
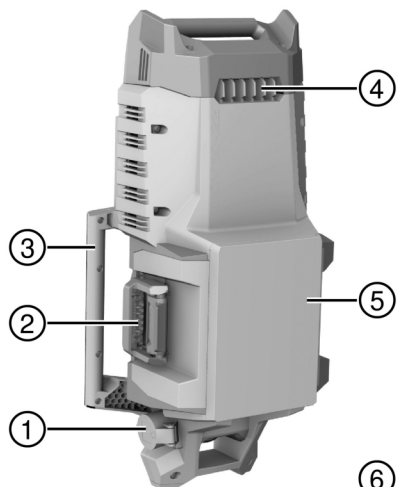




English	1
Dansk	9
Svenska	18
Norsk	26
Suomi	34
Eesti	43
Latviešu	51
Lietuvių	59
Русский	68
Українська	78
Қазақ	88
Türkçe	97
عربي	107
日本語	116
한국어	124
繁體中文	132
中文	140

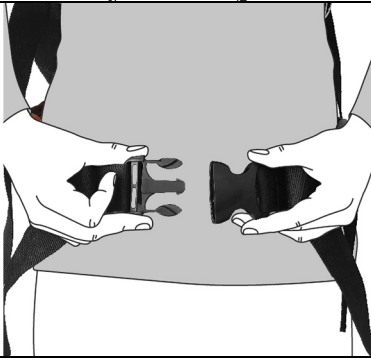
NCV 10-22 (01)



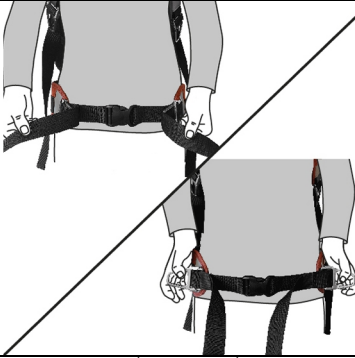
2



3



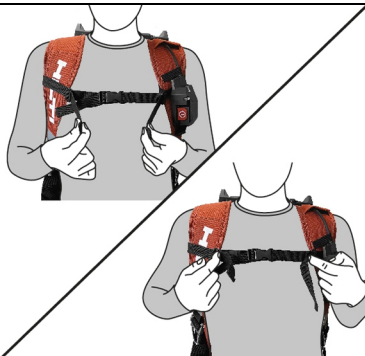
4



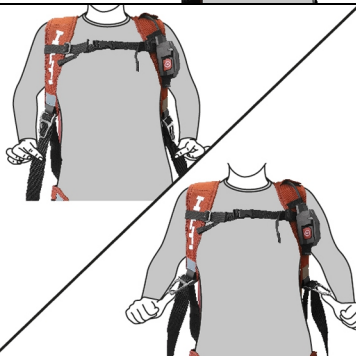
5



6



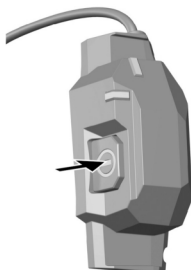
7



8



9



NCV 10-22

en	Original operating instructions	1
da	Original brugsanvisning	9
sv	Originalbruksanvisning	18
no	Original bruksanvisning	26
fi	Alkuperäiset ohjeet	34
et	Originaalkasutusjuhend	43
lv	Originālā lietošanas instrukcija	51
lt	Originali naudojimo instrukcija	59
ru	Перевод оригинального руководства по эксплуатации	68
uk	Оригінальна інструкція з експлуатації	78
kk	Түпнұсқа пайдалану бойынша нұсқаулық	88
tr	Orijinal kullanım kılavuzu	97
ar	دليل الاستعمال الأصلي	107
ja	オリジナル取扱説明書	116
ko	오리지널 사용 설명서	124
zh	原始操作說明	132
cn	原版操作说明	140

Original operating instructions

1 Information about the operating instructions

1.1 About these operating instructions

- **Warning!** Read and understand all accompanying documentation, including but not limited to instructions, safety warnings, illustrations, and specifications provided with this product. Familiarize yourself with all the instructions, safety warnings, illustrations, specifications, components, and functions of the product before use. Failure to do so may result in electric shock, fire, and/or serious injury. Save all warnings and instructions for future reference.
- products are designed for professional users and only trained, authorized personnel are permitted to operate, service and maintain the products. This personnel must be specifically informed about the possible hazards. The product and its ancillary equipment can present hazards if used incorrectly by untrained personnel or if used not in accordance with the intended use.
- The accompanying documentation corresponds to the current state of the art at the time of printing. Please always check for the latest version on the product's page on Hilti's website. To do this, follow the link or scan the QR code in this documentation, marked with the symbol .
- Ensure that these operating instructions are with the product when it is given to other persons.

1.2 Explanation of symbols

1.2.1 Warnings

Warnings alert persons to hazards that occur when handling or using the product. The following signal words are used:

DANGER

DANGER !

- ▶ Draws attention to imminent danger that will lead to serious personal injury or fatality.

WARNING

WARNING !

- ▶ Draws attention to a potential threat of danger that can lead to serious injury or fatality.

CAUTION

CAUTION !

- ▶ Draws attention to a potentially dangerous situation that could lead to personal injury or damage to the equipment or other property.

1.2.2 Symbols in the operating instructions

The following symbols are used in these operating instructions:

	Comply with the operating instructions
	Instructions for use and other useful information
	Dealing with recyclable materials
	Do not dispose of electric equipment and batteries as household waste
	Hilti Li-ion battery
	Hilti charger

1.2.3 Symbols in illustrations

The following symbols are used in illustrations:

- 2** These numbers refer to the illustrations at the beginning of these operating instructions.



3	The numbers in illustrations refer to important work steps or to components important for the work steps. In the text, the corresponding numbers draw attention to these work steps or components, e.g. (3).
	Item reference numbers are used in the overview illustration and refer to the numbers used in the key in the product overview section.
	This symbol is intended to draw your special attention to certain points for handling the product.

1.3 Product-dependent symbols

1.3.1 Symbols on the product

The following symbols can be used on the product:

	The product supports near-field communication (NFC) technology compatible with iOS and Android platforms.
Li-ion	Li-ion battery
	Never use the battery as a striking tool.
	Do not drop the battery. Never use a battery that has suffered an impact or is damaged in any other way.

1.4 Product information

products are designed for professional users and only trained, authorized personnel are permitted to operate, service and maintain the products. This personnel must be specifically informed about the possible hazards. The product and its ancillary equipment can present hazards if used incorrectly by untrained personnel or if used not in accordance with the intended use.

The type designation and serial number are printed on the rating plate.

- ▶ Write down the serial number in the table below. You will be required to state the product details when contacting Hilti Service or your local Hilti organization to inquire about the product.

Product information

Backpack	NCV 10-22
Generation	01
Serial no.	

1.5 Declaration of conformity

The manufacturer declares, on his sole responsibility, that the product described here complies with the applicable legislation and standards. A copy of the declaration of conformity can be found at the end of this documentation.

The technical documentation is filed here:

Hilti Entwicklungsgesellschaft mbH | Tool Certification | Hiltistrasse 6 | D-86916 Kaufering, Germany

2 Safety

2.1 Safety precautions

WARNING Study all safety instructions and other instructions, images and technical data with which this power tool is provided. Failure to observe the instructions below can result in electric shock, fire and/or serious injury.

Keep all safety precautions and instructions for future reference.

- ▶ Use the product and accessories only when they are in perfect working order.
- ▶ Never tamper with or modify the product or accessories in any way.
- ▶ Risk of injury by falling tools and/or accessories. Before starting work, check that the battery and installed accessories are secure.



- ▶ Stay alert, watch what you are doing and use common sense when operating a power tool. Do not use a power tool while you are tired or under the influence of drugs, alcohol or medication. A moment of inattention while operating the power tool may result in serious personal injury.
- ▶ Use product and accessories only in accordance with these instructions. Take the working conditions and the work to be performed into account. Use of power tools for applications other than those intended can result in hazardous situations.
- ▶ Take good care of the power tool. Check that moving parts operate satisfactorily and do not jam, and make sure that no parts are broken or damaged in such a way that the power tool might no longer function correctly. Have damaged parts repaired before using the tool. Many accidents are caused by poorly maintained power tools.
- ▶ **Do not lull yourself into a false sense of security and do not flout the safety rules for power tools, even if you are familiar with the power tool after using it many times.** Careless handling could cause serious injury within fractions of a second.
- ▶ Do not dip the product under water or into any other liquid.

Using and handling the cordless power tool

- ▶ **Recharge the batteries only with the chargers specified by the manufacturer.** A charger that is suitable for a certain type of battery may present a risk of fire when used with other types of battery.
- ▶ **Use only the specified batteries in power tools.** Use of any other batteries may create a risk of injury and fire.
- ▶ **When the battery is not in use, keep it away from paper clips, coins, keys, nails, screws and other small metal objects that could cause bridging between the terminals.** A short circuit between the battery terminals may cause burns or a fire.
- ▶ **Liquid may leak from the battery if used incorrectly. Avoid contact with the liquid. If contact accidentally occurs, flush with water. If the liquid contacts the eyes, also seek medical attention.** Liquid escaping from the battery can cause skin irritation or burns.
- ▶ **Do not use damaged or modified batteries.** Damaged or modified batteries may behave unpredictably and lead to fires, explosions or risk of injury.
- ▶ **Do not expose batteries to fire or excessive temperatures.** Fires or temperatures over 130 °C (265 °F) may cause an explosion.
- ▶ **Follow all instructions on battery charging and never charge the battery or the battery-powered tool outside the temperature range stated in the operating instructions.** Incorrect charging or charging outside the approved temperature range may destroy the battery and increase the risk of fire.

2.2 Careful handling and use of batteries

- ▶ **Comply with the following safety instructions for the safe handling and use of Li-ion batteries.** Failure to comply can lead to skin irritation, severe corrosive injury, chemical burns, fire and/or explosion.
- ▶ Use only batteries that are in perfect working order.
- ▶ Treat batteries with care in order to avoid damage and prevent leakage of fluids that are extremely harmful to health!
- ▶ Do not under any circumstances modify or tamper with batteries!
- ▶ Do not disassemble, crush or incinerate batteries and do not subject them to temperatures over 80 °C (176 °F).
- ▶ Never use or charge a battery that has suffered an impact or been damaged in any other way. Check your batteries regularly for signs of damage.
- ▶ Never use recycled or repaired batteries.
- ▶ Never use the battery or a battery-operated power tool as a striking tool.
- ▶ Never expose batteries to the direct rays of the sun, elevated temperature, sparking, or open flame. This can lead to explosions.
- ▶ Do not touch the battery poles with your fingers, tools, jewelry, or other electrically conductive objects. This can damage the battery and also cause material damage and personal injury.
- ▶ Keep batteries away from rain, moisture and liquids. Penetrating moisture can cause short circuits, electric shock, burns, fire and explosions.
- ▶ Use only chargers and power tools approved for the specific battery type. Read and follow the relevant operating instructions.
- ▶ Do not use or store the battery in explosive environments.



- ▶ If the battery is too hot to touch, it may be defective. Put the battery in a place where it is clearly visible and where there is no risk of fire, at an adequate distance from flammable materials. Allow the battery to cool down. If it is still too hot to touch after an hour, the battery is faulty. Consult **Hilti** Service or read the document entitled "Instructions on safety and use for **Hilti** Li-ion batteries".



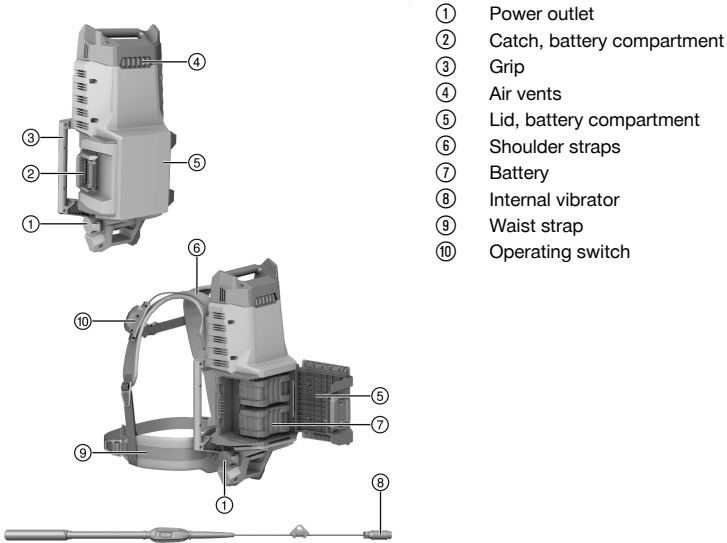
Observe the special guidelines applicable to the transport, storage and use of lithium-ion batteries.



Read the instructions on safety and use of **Hilti** Li-ion batteries that you can access by scanning the QR code at the end of these operating instructions.

3 Description

3.1 Product overview



3.2 Intended use

The product described is a backpack-type portable power supply. The power supply is designed to accommodate **Hilti** Nuron Li-ion batteries of the B 22 series as the source of energy. The power supply is intended solely for operation of an internal vibrator with built-in electric motor.

- For this product, use only **Hilti** Nuron lithium-ion batteries of the B 22 series. For optimum performance, **Hilti** recommends the batteries stated in the table at the end of these operating instructions for this product.
- For these batteries, use only **Hilti** chargers of the type series stated in the table at the end of these operating instructions.

3.3 Items supplied

Portable power supply, operating instructions

Other system products approved for use with this product can be found at your local **Hilti Store** or at: www.hilti.group

3.4 Status indicators of the Li-ion battery

Hilti Nuron Li-ion batteries can indicate state of charge, fault messages and the battery's state of health.



3.4.1 Indicators for state of charge and fault messages

WARNING

Risk of injury by a falling battery!

- ▶ If the release button is pressed with a battery inserted in the product, subsequently check that the battery is correctly re-engaged and secure.

Short-press the release button of the battery to get whichever of the following status indications is applicable at the time.

State of charge and, if applicable, faults are indicated constantly as long as the connected product is switched on.

Status	Meaning
Four (4) LEDs show constantly green	State of charge: 100 % to 71 %
Three (3) LEDs show constantly green	State of charge: 70 % to 51 %
Two (2) LEDs show constantly green	State of charge: 50 % to 26 %
One (1) LED shows constantly green	State of charge: 25 % to 10 %
One (1) LED slow-flashes green	State of charge: < 10 %
One (1) LED quick-flashes green	The Li-ion battery is completely discharged. Recharge the battery. If the LED again starts quick-flashing after the battery has been charged, consult Hilti Service .
One (1) LED quick-flashes yellow	The Li-ion battery or the product in which it is inserted is overloaded, too hot or too cold, or experiencing some other fault. Bring the product and the battery to the recommended working temperature and do not overload the product when it is in use. If the message persists, consult Hilti Service .
One (1) LED shows yellow	The Li-ion battery and the product in which it is inserted are not compatible. Consult Hilti Service .
One (1) LED quick-flashes red	The Li-ion battery is locked and cannot be used. Consult Hilti Service .

3.4.2 Indicators showing the battery's state of health

To check the battery's state of health, press the release button and hold it down for longer than three seconds. The system does not detect a potential malfunction of the battery due to misuse, for example battery dropped or pierced, external heat damage, etc.

Status	Meaning
All LEDs show in sequence, followed by one (1) LED showing constantly green.	The battery can remain in use.
All LEDs show in sequence, followed by one (1) LED quick-flashing yellow.	The check to ascertain the battery's state of health did not complete. Repeat the procedure, or consult Hilti Service .
All LEDs show in sequence, followed by one (1) LED showing constantly red.	If a connected product can still be used, the remaining battery capacity is below 50 %. If a connected product can no longer be used, the battery has reached the end of its useful life and has to be replaced. Consult Hilti Service .

4 Technical data

Output power, system	42.4 V, 3PΔ, 200 Hz~, 1000 W
Degree of protection	IP X4
Ambient temperature for operation	-17 °C ... 40 °C
Storage temperature	-20 °C ... 70 °C



4.1 Battery

Battery operating voltage	21.6 V
Weight, battery	See the end of these operating instructions
Ambient temperature for operation	-17 °C ... 60 °C
Storage temperature	-20 °C ... 40 °C
Battery charging starting temperature	-10 °C ... 45 °C

5 Preparations at the workplace


WARNING

Risk of injury by inadvertent starting!

- ▶ Before inserting the battery, make sure that the product is switched off.
- ▶ Remove the battery before making any adjustments to the power tool or before changing accessories.

Observe the safety instructions and warnings in this documentation and on the product.

5.1 Charging the battery

1. Before charging the battery, read the operating instructions for the charger.
2. Make sure that the contacts on the battery and the contacts on the charger are clean and dry.
3. Use an approved charger to charge the battery.  4

5.2 Inserting the battery

WARNING

Risk of injury by short circuit or falling battery!

- ▶ Before inserting the battery, make sure that the contacts on the battery and the contacts on the product are free of foreign matter.
- ▶ Make sure that the battery always engages correctly.

1. Charge the battery fully before using it for the first time.
2. Open the lid of the battery compartment.
3. Push a battery into the product until it engages with an audible click.
4. Check that the battery is seated securely.
5. Repeat the procedure for the second battery.
6. Close the lid of the battery compartment.

5.3 Removing the battery

1. Open the lid of the battery compartment.
2. Press the release button of a battery.
3. Remove the battery from the product.
4. Repeat the procedure for the second battery.
5. Close the lid of the battery compartment.

6 Operation

Observe the safety instructions and warnings in this documentation and on the product.

6.1 Settling portable power supply on shoulders **2, 3, 4, 5, 6, 7**

1. Shrug the product on to your shoulders as if it were a backpack. Slip your arms through the shoulder straps and position the shoulder straps on your shoulders.
2. Close the clip catch of the waist belt.
3. Adjust the waist belt.
 - ▶ Flip the strap clips up to loosen the waist belt.
 - ▶ Pull both ends of the waist belt forward to tighten the belt.



4. Close the clip catch of the chest strap.
5. Adjust the chest strap.
6. Adjust the shoulder straps.
 - ▶ Tilt the strap buckles up to loosen the shoulder straps.
 - ▶ Pull the ends of the straps down to tighten the shoulder straps.

6.2 Connecting internal vibrator

1. Open the cover of the power outlet.
2. Plug the internal vibrator's supply cord into the power outlet.
3. Hook the strain relief to the waist belt.

6.3 Activating power outlet

- ▶ Activate the operating switch to establish the electricity supply to the power outlet.
 - ▶ The green LED indicates that the power outlet is activated.
 - ▶ The orange LED indicates a low battery charge.

6.4 Operating internal vibrator

- ▶ To operate the internal vibrator correctly, follow the directions in its operating instructions.

6.5 Deactivating power outlet

When you stop working with the internal vibrator, always also deactivate the power outlet of the **NCV 10-22**.

- ▶ Deactivate the operating switch to switch off the electricity supply to the power outlet.
 - ▶ The LEDs go out.



The power outlet of the **NCV 10-22** is deactivated automatically after 30 minutes of non-use.

7 Care and maintenance



WARNING

Risk of injury with battery inserted !

- ▶ Always remove the battery before carrying out care and maintenance tasks!

Care of the product

- Carefully remove stubborn dirt.
- Carefully clean the air vents, if present, with a dry, soft brush.
- Use only a slightly damp cloth to clean the housing. Do not use cleaning agents containing silicone as these can attack the plastic parts.
- Use a dry, clean cloth to clean the contacts of the product.

Care of the Li-ion batteries

- Never use a battery with clogged air vents. Clean the air vents carefully using a dry, soft brush.
- Avoid unnecessary exposure of the battery to dust and dirt. Never expose the battery to high levels of moisture (e.g. by being dipped in water or left in the rain).
If a battery has been soaked by moisture, treat it as a damaged battery. Isolate it in a non-flammable container and consult **Hilti Service**.
- Keep the battery free of extraneous oil and grease. Do not permit dust or dirt to accumulate unnecessarily on the battery. Clean the battery with a dry, soft brush or a clean, dry cloth. Do not use cleaning agents containing silicone as these can attack the plastic parts.
Do not touch the contacts of the battery and do not remove the factory-applied grease from the contacts.
- Use only a slightly damp cloth to clean the housing. Do not use cleaning agents containing silicone as these can attack the plastic parts.

Maintenance

- Check all visible parts and controls for signs of damage at regular intervals and make sure that they all function correctly.



- Do not use the product if signs of damage are found or if parts malfunction. Immediately have the product repaired by **Hilti Service**.
- After cleaning and maintenance, install all guards and protective devices and check that they are in full working order.

To help ensure safe and reliable operation, use only genuine Hilti spare parts and consumables. Spare parts, consumables and accessories approved by **Hilti** for use with your product can be found at your **Hilti Store** or online at: www.hilti.group

8 Transport and storage of cordless tools and batteries

Transport

CAUTION

Accidental starting during transport !

- ▶ Always transport your products with the batteries removed!
- ▶ Remove the battery/batteries.
- ▶ Never transport batteries loose and unprotected. During transport, batteries should be protected from excessive shock and vibration and isolated from any conductive materials or other batteries that may come in contact with the terminals and cause a short circuit. **Comply with the locally applicable regulations for transporting batteries.**
- ▶ Do not send batteries through the mail. Consult your shipper for instructions on how to ship undamaged batteries.
- ▶ Prior to each use and before and after prolonged transport, check the product and the batteries for damage.

Storage

WARNING

Accidental damage caused by defective or leaking batteries !

- ▶ Always store your products with the batteries removed!
- ▶ Store the product and the batteries in a cool and dry place. Comply with the temperature limits stated in the technical data.
- ▶ Do not store batteries on the charger. Always remove the battery from the charger when the charging operation has completed.
- ▶ Never leave batteries in direct sunlight, on sources of heat, or behind glass.
- ▶ Store the product and batteries where they cannot be accessed by children or unauthorized persons.
- ▶ Prior to each use and before and after prolonged storage, check the product and the batteries for damage.

9 Troubleshooting

If a problem occurs, always observe the charge-status and fault indicator of the battery. See the section headed **Status indicators of the Li-ion battery**.

If the trouble you are experiencing is not listed in this table or you are unable to rectify the problem by yourself, contact **Hilti Service**.

Trouble or fault	Possible cause	Action to be taken
Battery does not engage with an audible click.	The retaining lug on the battery is dirty.	▶ Clean the retaining lug and re-insert the battery.
Product cannot be switched on.	Battery is discharged.	▶ Change the battery and charge the empty battery.
	Battery not fully inserted.	▶ Push the batteries in until they engage with an audible click.



10 Disposal

WARNING

Risk of injury due to incorrect disposal! Health hazards due to escaping gases or liquids.

- ▶ DO NOT send batteries through the mail!
- ▶ Cover the terminals with a non-conductive material (such as electrical tape) to prevent short circuiting.
- ▶ Dispose of your battery out of the reach of children.
- ▶ Dispose of the battery at your **Hilti Store**, or consult your local governmental garbage disposal or public health and safety resources for disposal instructions.

Most of the materials from which **Hilti** products are manufactured can be recycled. The materials must be correctly separated before they can be recycled. In many countries, your old tools, machines or appliances can be returned to **Hilti** for recycling. Ask **Hilti Service** or your Hilti sales representative for further information.



- ▶ Do not dispose of power tools, electronic equipment or batteries as household waste!

11 Manufacturer's warranty

- ▶ Please contact your local **Hilti** representative if you have questions about the warranty conditions.

12 Further information

For more information on operation, technology, environment and recycling, follow this link: qr.hilti.com/manual/?id=2370140&id=2370142

This link is also to be found at the end of the operating instructions, in the form of a QR code.

Original brugsanvisning

1 Om brugsanvisningen

1.1 Om denne brugsanvisning

- **Advarsel!** Før du bruger produktet, skal du sikre dig, at du har læst og forstået produktets medfølgende brugsanvisning inklusive anvisninger, sikkerhedsanvisninger og advarsler, billeder og specifikationer. Sørg især for at blive fortrolig med alle anvisninger, sikkerhedsanvisninger og advarsler, billeder, specifikationer samt bestanddele og funktioner. Hvis du ikke gør det, er der risiko for at få elektrisk stød, brandfare og/eller risiko for alvorlige personskader. Gem brugsanvisningen inklusive alle anvisninger, sikkerhedsanvisninger og advarsler til senere brug.
- -produkter er beregnet til professionel brug og må kun betjenes, efterses og vedligeholdes af autoriseret og instrueret personale. Dette personale skal i særdeleshed informeres om de potentielle farer, der er forbundet med anvendelsen af denne boltepistol. Der kan opstå farlige situationer ved anvendelse af produktet og det tilhørende udstyr, hvis det anvendes af personer, der ikke er blevet undervist i dets brug, eller hvis det ikke anvendes korrekt i henhold til forskrifterne i denne brugsanvisning.
- Den medfølgende brugsanvisning svarer til den aktuelle tekniske standard på tidspunktet for trykningen. Du kan altid finde den aktuelle version online på Hiltis produktside. Følg linket eller QR-koden i denne brugsanvisning, der er markeret med symbolet .
- Sørg for, at denne brugsanvisning altid følger med ved overdragelse af produktet til andre.

1.2 Tegnforklaring

1.2.1 Advarsler

Advarsler advarer mod farer ved håndtering af produktet. Følgende signalord anvendes:

FARE

FARE!

- ▶ Betegner en umiddelbart truende fare, der kan medføre alvorlige kvæstelser eller døden.



ADVARSEL

ADVARSEL !

- ▶ Står ved en potentielt truende fare, der kan medføre alvorlige kvæstelser eller døden.

FORSIGTIG

FORSIGTIG !

- ▶ Advarer om en potentielt farlig situation, der kan forårsage personskader eller materielle skader.

1.2.2 Symboler i brugsanvisningen

Der benyttes følgende symboler i denne brugsanvisning:

	Se brugsanvisningen
	Anvisninger for anvendelse og andre nyttige oplysninger
	Håndtering af genvindbare materialer
	Elektriske maskiner og batterier må ikke bortskaffes som almindeligt husholdningsaffald
	Hilti lithium-ion-batteri
	Hilti Lader

1.2.3 Symboler i illustrationer

Følgende symboler anvendes på illustrationer:

	Disse tal henviser til den pågældende illustration i begyndelsen af denne brugsanvisning.
	Nummereringen i illustrationerne henviser til vigtige arbejdsstrin eller for arbejdsstrin til vigtige komponenter. I teksten fremhæves disse arbejdsstrin eller komponenter med tilhørende numre, f.eks. (3).
	Positionsnumre anvendes i illustrationen Oversigt og refererer til tallene i symbolforklaringen i afsnittet Produktoversigt .
	Dette symbol skal sikre skærpet opmærksomhed ved omgang med produktet.

1.3 Produktspecifikke symboler

1.3.1 Symboler på produktet

Følgende symboler kan forekomme på produktet:

	Produktet understøtter NFC-teknologi, som er kompatibel med iOS- og Android-platforme.
	Li-ion-batteri
	Brug aldrig batteriet som slagværktøj.
	Lad ikke batteriet falde på gulvet. Brug ikke et batteri, der har fået et slag eller på anden vis er beskadiget.

1.4 Produktoplysninger

-produkter er beregnet til professionel brug og må kun betjenes, efterses og vedligeholdes af autoriseret og instrueret personale. Dette personale skal i særdeleshed informeres om de potentielle farer, der er forbundet med anvendelsen af denne maskine. Der kan opstå farlige situationer ved anvendelse af produktet og det tilhørende udstyr, hvis det anvendes af personer, der ikke er blevet undervist i dens brug, eller hvis det ikke anvendes korrekt i henhold til forskrifterne i denne brugsanvisning.

Typebetegnelse og serienummer fremgår af typeskiltet.



- ▶ Notér serienummeret i den efterfølgende tabel. Du skal bruge produktoplysningerne ved henvendelser til vores lokale afdeling eller vores serviceværksted.

Produktoplysninger

Rygsæk	NCV 10-22
Generation	01
Serienummer	

1.5 Overensstemmelseserklæring

Producenten erklærer som eneansvarlig, at det her beskrevne produkt er i overensstemmelse med gældende lovgivning og gældende standarder. Sidst i dette dokument finder du et billede af overensstemmelseserklæringen.

Den tekniske dokumentation er arkiveret her:

Hilti Entwicklungsgesellschaft mbH | Zulassung Geräte | Hiltistraße 6 | 86916 Kaufering, DE

2 Sikkerhed

2.1 Sikkerhedsanvisninger

⚠ ADVARSEL Læs alle sikkerhedsanvisninger, henvisninger, billedtekster og tekniske data på elværktøjet. Hvis følgende anvisninger ikke overholdes, er der risiko for elektrisk stød, brand og/eller alvorlige personskader.

Opbevar alle sikkerhedsanvisninger og instruktioner til senere brug.

- ▶ Anvend kun produktet og tilbehøret i teknisk fejlfri stand.
- ▶ Foretag aldrig manipulationer eller ændringer på produkt eller tilbehør.
- ▶ Fare for personskader på grund af værktøj og/eller tilbehør, som falder på jorden. Kontrollér før arbejdets begyndelse, at batteriet og det monterede tilbehør er sikkert fastgjort.
- ▶ Det er vigtigt at være opmærksom, se, hvad man laver, og bruge maskinen fornuftigt. Anvend aldrig elværktøj, hvis du er træt eller påvirket af stoffer, alkohol eller medicin. Et øjeblik uopmærksomhed under brugen af elværktøjet kan medføre alvorlige personskader.
- ▶ Anvend kun produktet og tilbehøret i henhold til anvisningerne. Tag hensyn til arbejdsforholdene og det arbejde, der skal udføres. I tilfælde af anvendelse af maskinen til formål, som ligger uden for det fastsatte anvendelsesområde, kan der opstå farlige situationer.
- ▶ Sørg for at pleje elværktøj omhyggeligt. Kontrollér, om bevægelige dele fungerer korrekt og ikke sidder fast, og om delene er brækket eller beskadiget, således at elværktøjets funktion påvirkes. Få beskadigede dele repareret, inden elværktøjet tages i brug. Mange uheld skyldes dårligt vedligeholdte elværktøjer.
- ▶ **Man må ikke ignorere sikkerhedsreglerne for elværktøj, heller ikke selvom man er fortrolig med brugen af elværktøjet.** Uagtsomhed kan medføre alvorlig tilskadekomst inden for få sekunder.
- ▶ Dyk ikke produktet ned under vand eller anden væske.

Anvendelse og pleje af batteridrevet elværktøj


- ▶ **Oplad kun batterier i ladere, der er anbefalet af fabrikanten.** Der er risiko for brand, hvis en lader, der er beregnet til et bestemt batteri, anvendes til opladning af en anden batteritype.
- ▶ **Brug kun de batterier, der er beregnet til elværktøjet.** Brug af andre batterier øger risikoen for personskader og er forbundet med brandfare.
- ▶ **Ikke benyttede batterier må ikke komme i berøring med kontorclips, mønter, nøgler, søm, skruer eller andre små metalgenstande, da disse kan kortslutte kontakterne.** En kortslutning mellem batterikontakterne øger risikoen for personskader i form af forbrændinger.
- ▶ **Hvis batteriet anvendes forkert, kan der løbe væske ud af batteriet. Undgå at komme i kontakt med denne væske. Hvis det alligevel skulle ske, skylles med vand. Søg læge, hvis væsken kommer i øjnene.** Batterivæske kan give hudirritation eller forbrændinger.
- ▶ **Brug aldrig et beskadiget eller ændret batteri.** Beskadigede eller ændrede batterier kan virke utilsigtet og medføre brand, eksplosion eller risiko for tilskadekomst.
- ▶ **Batterier må ikke udsættes for åben ild eller høje temperaturer.** Ild eller temperaturer over 130 °C (265 °F) kan medføre eksplosion.
- ▶ **Følg alle anvisninger vedrørende opladning, og oplad aldrig batteriet eller det batteridrevne værktøj uden for det temperaturområde, der er anført i betjeningsvejledningen.** Forkert opladning eller opladning uden for det tilladte temperaturområde kan ødelægge batteriet og øge risikoen for brand.



2.2 Omhyggelig omgang med og brug af batterier

- ▶ **Overhold følgende sikkerhedsforanstaltninger for sikker håndtering og brug af Li-ion-batterier.**
I modsat fald kan det medføre hudirritation, alvorlige ætsningsskader, kemiske forbrændinger, brand og/eller eksplosion.
- ▶ Anvend kun batterier i teknisk fejlfri stand.
- ▶ Batterier skal behandles forsigtigt for at undgå beskadigelser og udslip af meget sundhedsskadelige væsker!
- ▶ Batterier må under ingen omstændigheder modificeres eller manipuleres!
- ▶ Batterierne må ikke adskilles, klemmes, opvarmes til over 80 °C eller brændes.
- ▶ Anvend og oplad ikke batterier, som har fået stød eller på anden vis er blevet beskadiget. Kontrollér regelmæssigt dine batterier for tegn på skader.
- ▶ Anvend aldrig genbrugte eller reparerede batterier.
- ▶ Anvend aldrig batteriet eller et batteridrevet elværktøj som slagværktøj.
- ▶ Udsæt aldrig batterier for direkte solstråling, høj temperatur, gnister eller åben ild. Det kan medføre eksplosion.
- ▶ Berør ikke batteripolerne med dine fingre, værktøj, smykker eller andre elektrisk ledende genstande. Det kan beskadige batteriet og medføre personskader og materielle skader.
- ▶ Hold batterier på sikker afstand af regn, fugt og væsker. Indtrængende fugt kan medføre kortslutninger, elektrisk stød, forbrændinger, brand og eksplosion.
- ▶ Brug kun ladere og elværktøj, der er beregnet til denne batteritype. Overhold i den forbindelse oplysningerne i de tilhørende brugsanvisninger.
- ▶ Anvend og opbevar ikke batteriet i eksplosionsfarlige omgivelser.
- ▶ Hvis batteriet er for varmt til at kunne røres, kan det være defekt. Anbring batteriet på et overskueligt, ikke-brændbart sted med tilstrækkelig afstand til brændbare materialer. Lad batteriet køle af. Hvis batteriet efter en time fortsat er for varmt til at kunne røres, er det er defekt. Kontakt **Hilti Service** eller læs dokumentet "Anvisninger om sikkerhed og anvendelse af **Hilti** Li-ion-batterier".



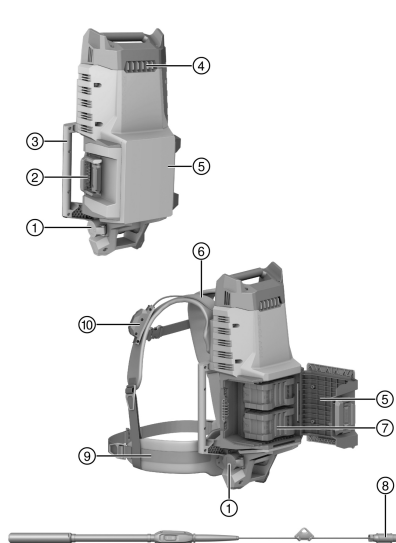
Vær opmærksom på de særlige retningslinjer, der gælder for transport, opbevaring og brug af Li-ion-batterier.  17

Læs anvisningerne vedrørende sikkerhed og anvendelse til **Hilti** Li-ion-batterier, som du kan finde ved at scanne QR-koden sidst i denne brugsanvisning.



3 Beskrivelse

3.1 Produktoversigt



- ① Stikkontakt
- ② Låseklemme til batterium
- ③ Håndgreb
- ④ Ventilationsåbninger
- ⑤ Dæksel til batterium
- ⑥ Skuldreseler
- ⑦ Batteri
- ⑧ Betonvibrator
- ⑨ Bækkensele
- ⑩ Betjeningskontakt

3.2 Tilsigtet anvendelse

Det beskrevne produkt er en strømforsyning, der kan bæres på ryggen. Strømforsyningen er beregnet til fastgørelse af **Hilti Nuron** lithium-ion-batterier i typeserien B 22 som energikilde. Strømforsyningen er udelukkende beregnet til anvendelse af betonvibratører med indvendig motoren.

- Brug kun **Hilti Nuron** Li-ion-batterier fra B 22-serien til dette produkt. Af hensyn til en optimal effekt anbefaler **Hilti** at bruge de batterier, der fremgår af tabellen i slutningen af denne brugsanvisning, til dette produkt.
- Anvend kun **Hilti**-ladere fra de serier, der fremgår af tabellen i slutningen af denne brugsanvisning, til disse batterier.

3.3 Leveringsomfang

Bærbar strømforsyning, brugsanvisning

Andre systemprodukter, som er godkendt til dit produkt, finder du i **Hilti Store** eller på: www.hilti.group

3.4 Li-ion-batteriets indikatorer

Hilti Nuron Li-ion-batterier kan vise ladetilstand, fejlmeddelelser og batteriets tilstand.

3.4.1 Visning af ladetilstand og fejlmeddelelser

ADVARSEL

Fare for personskader på grund af batteri, der falder på gulvet!

- ▶ Sørg for, at du ved isat batteri efter tryk på frigøringsknappen bringer batteriet korrekt i indgreb igen i det anvendte produkt.

For at få en af følgende visninger skal du trykke kort på batteriets frigøringsknap. Ladetilstanden og evt. fejl vises også konstant, så længe det tilsluttede produkt er tændt.

Tilstand	Betydning
Fire (4) LED'er lyser konstant grønt	Ladetilstand: 100 % til 71 %
Tre (3) LED'er lyser konstant grønt	Ladetilstand: 70 % til 51 %



Tilstand	Betydning
To (2) LED 'er lyser konstant grønt	Ladetilstand: 50 % til 26 %
En (1) LED lyser konstant grønt	Ladetilstand: 25 % til 10 %
En (1) LED blinker langsomt grønt	Ladetilstand: < 10 %
En (1) LED blinker hurtigt grønt	Li-ion-batteriet er helt afladet. Oplad batteriet. Hvis LED'en stadig blinker hurtigt efter opladning af batteriet, bedes du kontakte HiltiService .
En (1) LED blinker hurtigt gult	Li-ion-batteriet eller det dermed forbundne produkt er overbelastet, er for varmt, for koldt, eller der foreligger en anden fejl. Bring produktet og batteriet op på den anbefalede arbejdstemperatur, og overbelast ikke produktet under anvendelsen. Hvis meddelelsen stadig vises, bedes du kontakte HiltiService .
En (1) LED lyser gult	Li-ion-batteriet og det dermed forbundne produkt er ikke kompatible. Kontakt Hilti Service .
En (1) LED blinker hurtigt rødt	Li-ion-batteriet er låst og kan ikke længere anvendes. Kontakt Hilti Service .

3.4.2 Visning om batteriets tilstand

Hvis du ønsker at aflæse batteriets tilstand, skal du holde frigøringsknappen inde i mere end tre sekunder. Systemet registrerer ingen potentielle funktionsfejl for batteriet som følge af misbrug som f.eks. nedstyrning, perforeringer, eksterne varmeskader osv.

Tilstand	Betydning
Alle lysdioder lyser som løbelys, og derefter lyser én (1) lysdiode grønt.	Batteriet kan fortsat benyttes.
Alle lysdioder lyser som løbelys, og derefter blinker én (1) lysdiode hurtigt gult.	Forespørgslen om batteriets tilstand kunne ikke afsluttes. Gentag proceduren, eller kontakt Hilti Service .
Alle lysdioder lyser som løbelys, og derefter lyser én (1) lysdiode rødt.	Hvis et tilsluttet produkt fortsat kan benyttes, er den resterende batterikapacitet under 50%. Hvis et tilsluttet produkt ikke længere kan benyttes, er batteriet ved slutningen af sin levetid og skal udskiftes. Kontakt Hilti Service .

4 Tekniske data

Udgangseffekt system	42,4 V, 3PΔ, 200 Hz~, 1000 W
Beskyttelsestype	IP X4
Omgivende temperatur under drift	-17 °C ... 40 °C
Opbevaringstemperatur	-20 °C ... 70 °C

4.1 Batteri

Batteriets driftsspænding	21,6 V
Vægt, batteri	Se bagest i denne brugsanvisning
Omgivende temperatur under drift	-17 °C ... 60 °C
Opbevaringstemperatur	-20 °C ... 40 °C
Batteriets temperatur ved start af ladning	-10 °C ... 45 °C



5 Forberedelse af arbejdet


ADVARSEL

Fare for personskader på grund af utilsigtet start!

- ▶ Før isætning af batteriet skal du kontrollere, at det tilhørende produkt er slukket.
- ▶ Fjern batteriet fra maskinen, inden du foretager indstillinger eller skifter tilbehørsdele på den.

Følg sikkerheds- og advarselshenvisningerne i denne dokumentation og på produktet.

5.1 Opladning af batteri

1. Læs brugsanvisningen til laderen før opladning.
2. Vær opmærksom på, at kontakterne på batteriet og laderen er rene og tørre.
3. Oplad batteriet i en godkendt lader.  13

5.2 Ilægning af batteri

ADVARSEL

Fare for personskader på grund af kortslutning eller batteri, der falder på gulvet!

- ▶ Før isætning af batteriet skal du kontrollere, at batteriets kontakter og kontakterne på produktet er fri for fremmedlegemer.
- ▶ Kontrollér, at batteriet altid går korrekt i indgreb.

1. Lad batteriet helt op før første ibrugtagning.
2. Åbn klappen til batterirummet.
3. Skub et batteri ind i produktet, indtil det går hørbart i indgreb.
4. Kontrollér, at batteriet er sat korrekt i.
5. Gentag fremgangsmåden med det andet batteri.
6. Luk klappen til batterirummet.

5.3 Fjernelse af batteri

1. Åbn klappen til batterirummet.
2. Tryk på frigøringsknappen til et batteri.
3. Træk batteriet ud af produktet.
4. Gentag fremgangsmåden med det andet batteri.
5. Luk klappen til batterirummet.

6 Betjening

Følg sikkerheds- og advarselshenvisningerne i denne dokumentation og på produktet.

6.1 Påtagning af bærbær strømforsyning 2, 3, 4, 5, 6, 7

1. Tag produktet på som en rygsæk. Før armene gennem skulderselerne, og placer skulderselerne på skuldrene.
2. Luk bækkenselens klemmelukning.
3. Tilpas bækkenselen.
 - ▶ Vip seleklemmerne opad for at løsne bækkenselen.
 - ▶ Træk bækkenselens to ender fremad for at spænde den.
4. Luk brystselens klemmelukning.
5. Tilbast bryststroppen.
6. Tilpas skulderselerne.
 - ▶ Vip bæltespænderne udad for at løsne skulderselerne.
 - ▶ Træk seleenderne nedad for at spænde skulderselerne.

6.2 Tilslutning af betonvibrator

1. Åbn dækslet til stikkontakten.
2. Sæt betonvibratorens netstik i stikkontakten.



3. Hægt trækafastningen på bækkenselen.

6.3 Aktivering af stikkontakten

- ▶ Aktivér betjeningskontakten for at etablere strømforsyningen til stikkontakten.
 - ▶ Den grønne lysdiode angiver, at stikdåsen er tændt.
 - ▶ Den orange lysdiode angiver en svag opladning.

6.4 Betjening af betonvibrator

- ▶ Læs brugsanvisningen, før du betjener den tilsluttede betonvibrator.

6.5 Deaktivering af stikkontakten

Når du er færdig med at arbejde med betonvibratoren, skal du også altid slukke stikkontakten på **NCV 10-22**.

- ▶ Deaktiver betjeningskontakten for at slukke for strømforsyningen til stikkontakten.
 - ▶ Lysdioderne slukker.



Stikkontakten på **NCV 10-22** deaktiveres automatisk efter 30 minutter uden anvendelse.

7 Rengøring og vedligeholdelse

ADVARSEL

Fare for personskader ved isat batteri !

- ▶ Fjern altid batteriet før alle pleje- og vedligeholdelsesarbejder!

Pleje af produktet

- Fjern fastsiddende snavs forsigtigt.
- Rengør forsigtigt evt. ventilationsåbninger med en tør, blød børste.
- Rengør kun huset med en hårdt opvredet klud. Brug ikke silikoneholdige plejemidler, da de kan angribe plastdelene.
- Brug en ren, tør klud til at rengøre kontakterne på produktet.

Pleje af Li-ion-batterier

- Anvend aldrig et batteri med tilstoppede ventilationsåbninger. Rengør forsigtigt ventilationsåbningerne med en tør, blød børste.
- Undgå, at batteriet unødigt udsættes for støv og snavs. Udsæt aldrig batteriet for høj fugtighed (f.eks. dyppe det i vand eller lade det stå ude i regnvej). Hvis et batteri er blevet gennemvådt, skal det behandles som et beskadiget batteri. Isolér det i en ikke-brændbar beholder, og kontakt **Hilti Service**.
- Hold batteriet frit for udefrakommende olie og fedt. Lad ikke unødigt støv og snavs samle sig på batteriet. Rengør batteriet med en tør, blød børste eller en ren, tør klud. Brug ikke silikoneholdige plejemidler, da de kan angribe plastdelene. Berør ikke batteriets kontakter, og fjern ikke det fedt fra kontakterne, som er påført fra fabrikken.
- Rengør kun huset med en hårdt opvredet klud. Brug ikke silikoneholdige plejemidler, da de kan angribe plastdelene.

Vedligeholdelse

- Kontrollér regelmæssigt alle synlige dele for skader og betjeningslementerne for fejlfri funktion.
- Anvend ikke produktet i tilfælde af beskadigelse og/eller funktionsfejl. Få straks produktet repareret af **Hilti Service**.
- Monter alle beskyttelsesanordninger efter pleje- og vedligeholdelsesarbejder, og kontroller dem for korrekt funktion.



Anvend kun originale reservedele og forbrugsmaterialer af hensyn til en sikker drift. Reservedele, forbrugsmaterialer og tilbehør til dit produkt, som **Hilti** har godkendt, finder du i din **Hilti Store** eller under: www.hilti.group



8 Transport og opbevaring af batteridrevet værktøj og batterier

Transport

FORSIGTIG

Utsigtet start ved transport!

- ▶ Transportér altid dine produkter uden isat batteri!
- ▶ Tag batteriet/batterierne af.
- ▶ Transportér aldrig batterier liggende løst og ubeskyttet. Under transporten bør batterierne beskyttes mod hårde slag og vibrationer og isoleres fra enhver form for ledende materialer eller andre batterier, så de ikke kommer i kontakt med andre batteripoler og forårsager en kortslutning. **Overhold de lokale transportforskrifter for batterier.**
- ▶ Batterier må ikke sendes med posten. Henvend dig til et transportfirma, hvis du ønsker at sende ubeskadigede batterier.
- ▶ Kontrollér produktet og batterierne for skader hver gang før brug og før og efter længere transport.

Opbevaring

ADVARSEL

Utsigtet beskadigelse på grund af defekte eller utætte batterier!

- ▶ Opbevar altid dine produkter uden isat batteri!
- ▶ Opbevar produkt og batterier køligt og tørt. Overhold de temperaturgrænser, der fremgår af de tekniske data.
- ▶ Opbevar ikke batterier i laderen. Tag batteriet ud af laderen, når opladningen er gennemført.
- ▶ Opbevar aldrig batterier i direkte sollys, på varmekilder eller i et vindue.
- ▶ Opbevar produkt og batterier utilgængeligt for børn og uvedkommende personer.
- ▶ Kontrollér produktet og batterierne for skader hver gang før brug og før og efter længere tids opbevaring.

9 Fejlafhjælpning

Vær opmærksom på batteriets ladetilstand- og fejllindikator ved alle fejl. Se kapitlet **Li-ion-batteriets indikatorer**.

Ved fejl, som ikke fremgår af denne tabel, eller som du ikke selv kan afhjælp, beder vi dig om at kontakte Hilti Service.

Fejl	Mulig årsag	Løsning
Batteriet går ikke i indgreb med et tydeligt klik.	Holdetappen på batteriet er snavset.	▶ Rengør låsetappen, og sæt batteriet i igen.
Det er ikke muligt at tænde produktet.	Batteriet er afladet.	▶ Udskift batteriet, og oplad det tomme batteri.
	Batteriet er ikke korrekt isat.	▶ Lad batteriet gå i indgreb med et hørbart klik.

10 Bortskaffelse

ADVARSEL

Fare for personskader på grund af ukorrekt bortskaffelse! Sundhedsfare på grund af udtrængen af gasser eller væsker.

- ▶ Beskadigede batterier må under ingen omstændigheder sendes!
- ▶ Tildæk kontakterne med et ikke-ledende materiale, så kortslutninger undgås.
- ▶ Bortskaf batterier på en sådan måde, at børn ikke kan få fat på dem.
- ▶ Bortskaf batteriet hos din **Hilti Store**, eller henvend dig til det ansvarlige renovationsfirma.

Størstedelen af de materialer, som anvendes ved fremstillingen af **Hilti**-produkter, kan genvindes. Materialerne skal dog sorteres, før de kan genvindes. I mange lande kan du aflevere dine udtjente produkter til **Hilti**, som derefter genvinder dem. Spørg **Hilti**s kundeservice eller din forhandler.



- ▶ Elværktøj, elektriske maskiner og batterier må ikke bortskaffes sammen med almindeligt husholdningsaffald!



11 Producentgaranti

- ▶ Hvis du har spørgsmål vedrørende garantibetingelserne, bedes du henvende dig til din lokale **Hilti**-partner.

12 Yderligere oplysninger


Yderligere oplysninger vedrørende betjening, teknik, miljø og recycling finder du under følgende link: qr.hilti.com/manual/?id=2370140&id=2370142

Denne link finder du også som QR-kode sidst i brugsanvisningen.

Originalbrugsanvisning

1 Anvisninger om brugsanvisning

1.1 Om denna brugsanvisning

- **Varning!** Innan du använder produkten ska du se till att du har läst och förstått den brugsanvisning som medföljer produkten, inklusive instruktioner, säkerhets- och varningsanvisningar, bilder och specifikationer. Gör dig särskilt förtrogen med alla anvisningar, säkerhets- och varningsanvisningar, bilder, specifikationer samt beståndsdelar och funktioner. Vid underlåtenhet att göra detta finns fara för elstötar, brand och/eller allvarliga personskador. Spara brugsanvisningen med alla anvisningar, säkerhets- och varningsanvisningar för senare användning.
- **HILTI**-produkter är avsedda för professionella användare och får endast användas, underhållas och repareras av auktoriserad, utbildad personal. Personalen måste vara särskilt informerad om de risker som finns. Produkten och dess tillbehör kan utgöra en risk om den används på ett felaktigt sätt av utbildad personal eller inte används enligt föreskrifterna.
- Den bifogade brugsanvisningen motsvarar den aktuella tekniska nivån vid tidpunkten för tryckningen. Du hittar alltid den senaste versionen online på Hiltis produktsida. Följ länken eller QR-koden i denna brugsanvisning, som är markerad med symbolen .
- Produkten bör endast överlämnas till andra personer tillsammans med denna brugsanvisning.

1.2 Teckenförklaring

1.2.1 Varningar

Varningarna är till för att varna för risker i samband med användning av produkten. Följande riskindikeringar används:

FARA

FARA !

- ▶ Anger överhängande risker som kan leda till svåra personskador eller dödsolycka.

VARNING

VARNING !

- ▶ Anger potentiella risker som kan leda till svåra personskador eller dödsfall.

FÖRSIKTIGHET

FÖRSIKTIGHET !

- ▶ Används för att uppmärksamma om en potentiell risksituation som kan leda till skador på person eller utrustning.

1.2.2 Symboler i brugsanvisningen

I den här brugsanvisningen används följande symboler:



Observera brugsanvisningen



	Anmärkningar och annan praktisk information
	Hantering av återvinningsbara material
	Elverktyg och batterier får inte kastas i hushållssoporna
	Hilti litiumjonbatteri
	Hilti Batteriladdare

1.2.3 Symboler i bilderna

Följande symboler används i bilder:

	Dessa siffror hänvisar till motsvarande bild i början av bruksanvisningen.
3	Numreringen i bilderna hänvisar till viktiga arbetsmoment eller viktiga komponenter för arbetsmomenten. I texten framhävs dessa arbetsmoment eller komponenter med motsvarande nummer, t.ex. (3).
	I bilden Översikt används positionsnummer och hänvisar till siffrorna i teckenförklaringen i avsnittet Produktöversikt .
	Det här tecknet är till för att du ska vara extra uppmärksam på något som gäller hur du hanterar produkten.

1.3 Produktberoende symboler

1.3.1 Symboler på produkten

Följande symboler kan förekomma på produkten:

	Produkten stöder NFC-teknik, som är kompatibel med iOS- och Android-plattformar.
Li-Ion	Litiumjonbatteri
	Använd aldrig batteriet som slaginstrument.
	Låt inte batteriet falla ner på marken. Använd inte batterier som har utsatts för slag eller på annat sätt har skadats.

1.4 Produktinformation

HILTI-produkter är avsedda för professionella användare och får endast användas, underhållas och repareras av auktoriserad, utbildad personal. Personalen måste vara särskilt informerad om de risker som finns. Produkten och dess tillbehör kan utgöra en risk om den används på ett felaktigt sätt av utbildad personal eller inte används enligt föreskrifterna.

Typbeteckning och serienummer anges på typskylten.

- Använd de serienummer som anges i följande tabell. Du behöver produktuppgifterna när du kontaktar vår återförsäljare eller serviceverkstad.

Produktdetaljer

Ryggsäck	NCV 10-22
Generation	01
Serienr	

1.5 Försäkran om överensstämmelse

Härmed intygar tillverkaren med ensamt ansvar att produkten som beskrivs överensstämmer med gällande lagstiftning och standarder. En bild på försäkran om överensstämmelse hittar du i slutet av dokumentationen. Den tekniska dokumentationen finns sparad här:

Hilti Entwicklungsgesellschaft mbH | Zulassung Geräte | Hiltistraße 6 | 86916 Kaufering, Tyskland



2.1 Säkerhetsföreskrifter

⚠ VARNING Läs noga igenom alla säkerhetsföreskrifter, anvisningar, avbildningar och tekniska data som medföljer detta elverktyg. Om nedanstående anvisningar inte följs, finns risk för elektriska stötar, brand och/eller svåra skador.

Förvara alla säkerhetsföreskrifter och anvisningarna på ett säkert ställe för framtida användning.

- ▶ Använd endast produkten och dess tillbehör om den är fullt funktionsduglig.
- ▶ Produkten eller dess tillbehör får inte byggas om eller ändras.
- ▶ Risk för personskada på grund av nedfallande verktyg och/eller tillbehör. Kontrollera att batteriet och det monterade tillbehöret sitter fast ordentligt innan du påbörjar arbetet.
- ▶ Var uppmärksam, ha uppsikt över vad du gör och använd produkten med förnuft. Använd aldrig produkten om du är trött eller påverkad av droger, alkohol eller medicin. En kort sekund av bristande uppmärksamhet när du arbetar med produkten kan leda till att du skadar dig själv eller någon annan svårt.
- ▶ Följ alltid dessa anvisningar vid användning av produkten och dess tillbehör. Ta hänsyn till arbetsförhållandena och det arbete som ska utföras. Används produkten på icke ändamålsenligt sätt kan farliga situationer uppstå.
- ▶ Underhåll elprodukter noggrant. Kontrollera att rörliga komponenter fungerar felfritt och inte kärvar och att komponenter inte har brustit eller skadats så att produktens funktion påverkas negativt. Se till att skadade delar repareras innan produkten används igen. Många olyckor orsakas av dåligt skötta elprodukter.
- ▶ **Invagga dig inte i falsk säkerhet och strunta inte säkerhetsreglerna för elverktyg även om du har stor vana vid att arbeta med elverktyget.** Oförsiktig hantering kan leda till allvarliga personskador inom bråkdelar av en sekund.
- ▶ Doppa inte produkten i vatten eller i någon annan vätska.

Användning och hantering av batteriverktyg

- ▶ **Ladda endast batterierna i de laddare som tillverkaren har rekommenderat.** Brandrisk kan uppstå om en laddare som är avsedd för en viss typ av batterier används för andra batterityper.
- ▶ **Använd endast batterier som är avsedda för aktuellt elverktyg.** Används andra batterier finns det risk för personskada och brand.
- ▶ **Håll gem, mynt, nycklar, spikar, skruvar och andra små metallföremål på avstånd från reservbatterier för att undvika kortslutning av kontakterna.** En kortslutning av batteriets kontakter kan leda till brännskador eller brand.
- ▶ **Om batteriet används på fel sätt kan vätska rinna ur batteriet. Undvik kontakt med vätskan. Vid oavsiktlig kontakt, skölj med vatten. Om vätska kommer i kontakt med ögonen, uppsök dessutom läkare.** Batterivätskan kan orsaka hudirritation eller brännskada.
- ▶ **Använd aldrig skadade eller egenhändigt modifierade batterier.** Skadade eller modifierade batterier kan bete sig oförutsägbart och orsaka brand, explosioner eller risk för personskada.
- ▶ **Utsätt aldrig batterier för öppen eld eller för höga temperaturer.** Öppen eld eller temperaturer över 130 °C (265 °F) kan orsaka explosion.
- ▶ **Följ alla anvisningar för laddning och ladda aldrig batteriet eller batteriverktyget vid temperaturer som ligger utanför det intervall som anges i bruksanvisningen.** Felaktigt utförd laddning eller laddning vid temperaturer utanför det tillåtna intervallet kan förstöra batteriet och öka risken för brand.

2.2 Omsorgsfull hantering och användning av batterier

- ▶ **Observera följande säkerhetsanvisningar för säker hantering och användning av litiumjonbatterier.** Om åtgärderna inte följs kan det leda till hudirritation, svåra frätskador, kemiska brännskador, bränder och/eller explosioner.
- ▶ Använd endast batterier som är fullt funktionsdugliga.
- ▶ Hantera batterierna varsamt för att undvika skador och läckage av hälsovådliga syror!
- ▶ Batterier får absolut inte modifieras eller manipuleras!
- ▶ Batterier får inte tas isär, klämmas, upphettas till mer än 80 °C (176 °F) eller brännas upp.
- ▶ Använd inte och ladda inte batterier som har utsatts för slag eller på annat sätt är skadade. Kontrollera batterierna regelbundet för att se om de uppvisar tecken på skador.
- ▶ Använd aldrig återvunna eller reparerade batterier.
- ▶ Använd aldrig batteriet eller ett batteridrivet elverktyg som slagverktyg.



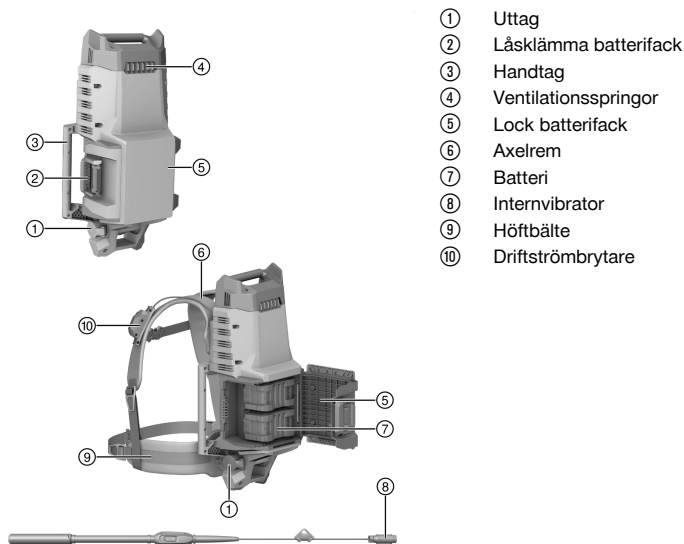
- ▶ Utsätt aldrig batterierna för direkt solljus, förhöjda temperaturer, gnistor eller öppna lågor. Detta kan leda till explosioner.
- ▶ Rör inte batteripolerna med dina fingrar, verktyg, smycken eller andra elektriskt ledande föremål av metall. Detta kan skada batteriet och orsaka såväl materiella skador som personskador.
- ▶ Håll batterierna borta från regn, väta och vätskor. Fukt som tränger sig in kan orsaka kortslutningar, elstötar, brännskador och explosioner.
- ▶ Använd endast batteriladdare och elverktyg som är avsedda för denna typ av batteri. Läs också igenom uppgifterna i motsvarande bruksanvisning.
- ▶ Använd inte och förvara inte batteriet i explosionsfarliga miljöer.
- ▶ Om batteriet är så hett att du inte kan ta i det kan det vara defekt. Ställ batteriet på en plats där inget riskerar att fatta eld och på betryggande avstånd från brännbart material. Låt batteriet svalna. Om batteriet efter en timme fortfarande är så hett att det inte går att ta i är det defekt. Kontakta **Hilti-service** eller läs dokumentet "Säkerhetsanvisningar vid användning av **Hilti** litiumjonbatterier".

Följ de särskilda föreskrifter som gäller för transport, förvaring och användning av litiumjonbatterier. 25

Läs säkerhetsanvisningarna för användning av **Hilti** litiumjonbatterier som du hittar genom att skanna QR-koden i slutet av denna bruksanvisning.

3 Beskrivning

3.1 Produktöversikt



3.2 Avsedd användning

Den beskrivna produkten är en strömförsörjning som bärs på ryggen. Strömförsörjningen använder **Hilti** Nuron litiumjonbatterier av typ B 22 som energikälla. Strömförsörjningen är endast avsedd för drift av betongvibratörer med inbyggd motor.

- Använd endast **Hilti** Nuron-litiumjonbatterier av typen B 22 med den här produkten. För optimal effekt rekommenderar **Hilti** att batterierna som anges i tabellen i slutet av bruksanvisningen används för denna produkt.
- Använd endast **Hilti**-batteriladdare från de typserier som anges i tabellen i slutet av bruksanvisningen för dessa batterier.



3.3 Leveransinnehåll

Bärbar strömförsörjning, bruksanvisning

Dessutom finns fler systemprodukter för din produkt både i närmaste **Hilti Store** och på nätet: www.hilti.group

3.4 Indikering för litiumjonbatteriet

Hilti Nuron litiumjonbatterier kan visa laddningsstatus, felmeddelanden och batteristatus.

3.4.1 Visning av laddningsstatus och felmeddelanden

VARNING

Risk för personskada på grund av nedfallande batterier.

- När du har satt i batteriet och tryckt ner frigöringsknappen, kontrollera att batteriet har hakat i korrekt i verktyget igen.

För att visa följande indikeringar, tryck ner batteriets frigöringsknapp.

Laddningsstatus och eventuella störningar visas så länge den anslutna produkten är påslagen.

Status	Betydelse
Fyra (4) lysdioder lyser med fast grönt sken	Laddningsstatus: 100 % till 71 %
Tre (3) lysdioder lyser med fast grönt sken	Laddningsstatus: 70 % till 51 %
Två (2) lysdioder lyser med fast grönt sken	Laddningsstatus: 50 % till 26 %
En (1) lysdiod lyser med fast grönt sken	Laddningsstatus: 25 % till 10 %
En (1) lysdiod blinkar långsamt grönt	Laddningsstatus: < 10 %
En (1) lysdiod blinkar snabbt grönt	Litiumjonbatteriet är helt urladdat. Ladda batteriet. Kontakta Hilti-service om lysdioden fortfarande blinkar snabbt efter att batteriet har laddats.
En (1) lysdiod blinkar snabbt gult	Litiumjonbatteriet eller den anslutna produkten är överbelastad, för varm, för kall eller så föreligger ett annat fel. Ställ in produkten och batteriet på den rekommenderade arbetstemperaturen och undvik att överbelasta produkten vid användning. Kontakta Hilti-service om meddelandet kvarstår.
En (1) lysdiod lyser gult	Litiumjonbatteriet och produkten är inte kompatibla med varandra. Kontakta Hilti-service .
En (1) lysdiod blinkar snabbt rött	Litiumjonbatteriet är spärrat och kan inte användas. Kontakta Hilti-service .

3.4.2 Visning av batteristatus

För att kontrollera batteriets status, håll frigöringsknappen nedtryckt i minst tre sekunder. Systemet registrerar inga potentiella funktionsfel i batteriet till följd av missbruk som t.ex. fall, punkteringsskador, externa värmeskador osv.

Status	Betydelse
Alla lysdioder lyser i turordning och därefter lyser en (1) lysdiod grönt.	Batteriet kan fortfarande användas.
Alla lysdioder lyser i turordning och därefter blinkar en (1) lysdiod snabbt gult.	Begäran om batteristatus kunde inte slutföras. Upprepa proceduren eller kontakta Hilti-service .
Alla lysdioder lyser i turordning och därefter lyser en (1) lysdiod med fast rött sken.	Om en ansluten produkt kan fortsätta användas är den kvarvarande batterikapaciteten under 50 %. Om en ansluten produkt inte kan användas längre har batteriet nått slutet på sin livslängd och måste bytas ut. Kontakta Hilti-service .



4 Teknisk information

Utgångseffekt system	42,4 V, 3PΔ, 200 Hz~, 1 000 W
Kapslingsklass	IP X4
Omgivningstemperatur vid drift	-17 °C ... 40 °C
Förvaringstemperatur	-20 °C ... 70 °C

4.1 Batteri

Batteriets driftspänning	21,6 V
Batteriets vikt	Se slutet av denna bruksanvisning
Omgivningstemperatur vid drift	-17 °C ... 60 °C
Förvaringstemperatur	-20 °C ... 40 °C
Batteritemperatur när laddningen påbörjas	-10 °C ... 45 °C

5 Förberedelser för arbete

VARNING

Risk för personskada till följd av oavsiktlig start!

- ▶ Kontrollera att produkten är avstängd innan du sätter i batteriet.
- ▶ Ta alltid bort batteriet innan du gör några inställningar på verktyget eller byter tillbehördelar.

Observera de säkerhets- och varningsanvisningar som du hittar i dokumentationen och på själva enheten.

5.1 Laddning av batteri

1. Läs batteriladdarens bruksanvisning innan du laddar batteriet.
2. Se till att batteriets och batteriladdarens sladdar är rena och torra.
3. Ladda batteriet i en godkänd batteriladdare. 21

5.2 Sätta i batteriet

VARNING

Risk för personskada på grund av kortslutning eller nedfallande batteri!

- ▶ Kontrollera innan du sätter in batteriet i produkten att både batteriets och produktens kontakter är fria från smuts och andra hinder.
- ▶ Säkerställ att batteriet alltid hakar i ordentligt.

1. Ladda batterierna helt innan de används första gången.
2. Öppna batterifacket lock.
3. Skjut in ett batteri i produkten tills du hör att det klickar fast.
4. Kontrollera att batteriet sitter stadigt.
5. Upprepa proceduren med det andra batteriet.
6. Stäng locket till batterifacket.

5.3 Ta ur batteri

1. Öppna locket till batterifacket.
2. Tryck på frigöringsknappen till något av batterierna.
3. Dra ut batteriet ur produkten.
4. Upprepa proceduren med det andra batteriet.
5. Stäng locket till batterifacket.

6 Användning

Observera de säkerhets- och varningsanvisningar som du hittar i dokumentationen och på själva enheten.



6.1 Ta på bärbar strömförsörjning 2, 3, 4, 5, 6, 7

1. Ta på produkten på samma sätt som en ryggsäck. För armarna genom axelremmarna och placera axelremmarna på axlarna.
2. Stäng snäppspännet på höftbältet.
3. Justera höftbältet.
 - ▶ Tippa på bältesklämman för att lossa höftbältet.
 - ▶ Dra båda ändrar av höftbältet framåt för att späna åt det.
4. Stäng snäppspännet på bröstbältet.
5. Justera bröstbältet.
6. Justera axelremmarna.
 - ▶ Lås axelremmarna genom att vinkla ut spännena.
 - ▶ Dra bältesändarna nedåt för att dra åt axelremmarna.

6.2 Ansluta betongvibrator 3

1. Öppna locket till uttaget.
2. Sätt i betongvibrators elkontakt i uttaget.
3. Haka fast dragavlastningen i höftbältet.

6.3 Aktivera uttag 5

- ▶ Aktivera driftströmbrytaren för att strömsätta uttaget.
 - ▶ Den gröna lysdioden indikerar att uttaget är aktiverat.
 - ▶ Den orangea lysdioden indikerar svag batteriladdning.

6.4 Använda betongvibrator

- ▶ Läs bruksanvisningen till den anslutna betongvibratorm för information om hur den används.

6.5 Avaktivera uttag 5

Om du avbryter arbetet med betongvibratorm ska du alltid också avaktivera uttaget på **NCV 10-22**.

- ▶ Avaktivera driftströmbrytaren för att bryta energiförsörjningen till uttaget.
 - ▶ Lysdioderna slocknar.



Uttaget på **NCV 10-22** avaktiveras automatiskt efter 30 minuter utan användning.

7 Skötsel och underhåll



VARNING

Risk för personskada vid anslutet batteri !

- ▶ Ta alltid bort batteriet innan skötsel och underhåll utförs!

Skötsel av produkten

- Ta försiktigt bort smuts som sitter fast.
- Rengör ventilationsspringorna försiktigt med en torr och mjuk borste i förekommande fall.
- Rengör höljet bara med en lätt fuktad trasa. Använd inte rengöringsmedel med silikon, eftersom det kan skada plastdelarna.
- Använd en ren och torr trasa för att rengöra produktens kontakter.

Skötsel av litiumjonbatterier

- Använd aldrig ett batteri med tilltäppta ventilationsspringor. Rengör ventilationsspringorna försiktigt med en torr och mjuk borste.
- Undvik att utsätta batteriet för onödigt mycket damm eller smuts. Utsätt aldrig batteriet för hög fukt (t.ex. genom att sänka ner det i vatten eller låta det stå i regnet).
Om ett batteri har blivit genomblött ska det hanteras som ett skadat batteri. Förvara det i en brandsäker behållare och kontakta **Hilti**-service.



- Håll batteriet fritt från främmande olja och fett. Låt inte onödigt mycket damm eller smuts ansamlas på batteriet. Rengör batteriet med en mjuk borste eller en ren och torr trasa. Använd inte rengöringsmedel med silikon, eftersom det kan skada plastdelarna.
Rör inte vid batteriets kontakter och ta inte bort fett på kontakterna som har applicerats i fabriken.
- Rengör höljet bara med en lätt fuktad trasa. Använd inte rengöringsmedel med silikon, eftersom det kan skada plastdelarna.

Underhåll

- Kontrollera regelbundet att inga synliga delar har skadats och att alla reglage fungerar som de ska.
- Använd inte produkten om den uppvisar skador eller funktionsstörningar. Låt **Hilti Service** reparera produkten omgående.
- Efter skötsel- och underhållsarbeten ska alla skyddsanordningar monteras igen och kontrolleras.



Använd endast originalreservdelar och förbrukningsmaterial för säker drift. Godkända reservdelar, förbrukningsmaterial och tillbehör till din produkt från **Hilti** hittar du i närmaste **Hilti Store** eller på: www.hilti.group

8 Transport och förvaring av sladdlösa verktyg och batterier

Transport

FÖRSIKTIGHET

Oavsiktlig start under transport. !

- ▶ Transportera alltid produkten utan insatta batterier.
- ▶ Ta ut batteriet/batterierna.
- ▶ Transportera aldrig batterierna löst liggande. Under transport ska batterierna skyddas mot alltför hårda stötar och vibrationer samt hållas isolerade från eventuella ledande material eller andra batterier så att de inte kommer i kontakt med andra batteripoler och orsakar en kortslutning. **Observera lokala transportföreskrifter för batterier.**
- ▶ Batterier får inte skickas per post. Vänd dig till ett fraktbolag om du vill skicka intakta batterier.
- ▶ Kontrollera produkt och batterier före varje användning samt före och efter längre transport för att se till att de inte är skadade.

Förvaring

VARNING

Oavsiktlig skada på grund av trasiga eller läckande batterier. !

- ▶ Förvara alltid produkten utan insatta batterier.
- ▶ Förvara produkt och batterier svalt och torrt. Följ de temperaturgränsvärden som anges i den tekniska informationen.
- ▶ Förvara inte batterierna i batteriladdaren. Ta alltid ur batteriet ur laddaren när laddningen är klar.
- ▶ Förvara aldrig batterier i solen, på värmekällor eller bakom glas.
- ▶ Förvara produkt och batteri utom räckhåll för barn och obehöriga personer.
- ▶ Kontrollera produkt och batterier före varje användning samt före och efter längre tids förvaring för att se till att de inte är skadade.

9 Felsökning

Observera batteriets laddningsstatus- och felindikering vid alla störningar. Se kapitel **Indikeringar för litiumjonbatteri**.

Kontakta **Hilti-service** om det uppstår ett fel som inte finns med i den här tabellen eller som du inte lyckas åtgärda på egen hand.

Fel	Möjlig orsak	Lösning
Batteriet hakar inte i med ett hörbart klick.	Batteriets låsmekanism är smutsig.	▶ Rengör låsmekanismen och sätt i batteriet igen.
Produkten går inte att koppla in.	Batteriet är urladdat.	▶ Byt batteri och ladda det tomma batteriet.
	Batteriet har inte satts in helt.	▶ Tryck in batterierna tills du hör ett "klick".




10 Avfallshandtering

VARNING

Risk for personskada på grund av felaktig avfallshandtering! Hølsorisk pÅ grund av lÅckande gaser eller syror.

- ▶ Skicka aldrig ivÅg skadade batterier!
- ▶ TÅck anslutningarna med ett icke ledande material fÅr att fÅrhindra kortslutningar.
- ▶ KasserA batterier sÅ att de inte kan hamna i hÅnderna pÅ barn.
- ▶ KasserA batteriet hos din **Hilti Store** eller vÅnd dig till nÅrmaste Återvinningscentral.

 **Hilti**-produkter År till stor del tillverkade av Återvinningsbara material. En fÅrutsÅttning fÅr Återvinning År att materialen separeras pÅ rÅtt sÅtt. I mÅnga lÅnder tar **Hilti** tillbaka din gamla enhet fÅr Återvinning. FrÅga **Hilti** kundservice eller din sÅljare.



- ▶ Kasta inte elverktyg, elektronisk apparatur och batterier i hushÅllssoporna.

11 Tillverkergaranti

- ▶ VÅnd dig till din lokale **Hilti**-representant om du har frÅgor om garantivillkoren.

12 Ytterligere informasjon


Ytterligere informasjon om drift, teknik, miljÅ og Återvinning hittar du via fÅljande lÅnk: qr.hilti.com/manual/?id=2370140&id=2370142

LÅnken finns ogsÅ som en QR-kod i slutet av bruksanvisningen.

Original bruksanvisning

1 Informasjon om bruksanvisningen

1.1 Om denne bruksanvisningen

- **Advarsel!** FÅr du tar i bruk produktet mÅ du sÅrge for Å ha lest og forstÅtt den medfÅlgende bruksanvisningen, herunder instruksjonene, sikkerhets- og varselinformasjon, illustrasjoner og spesifikasjoner. Gjør deg sÅrlig kjent med alle instruksjoner, sikkerhets- og varselinformasjon, illustrasjoner, spesifikasjoner samt deler og funksjoner. Ved manglende overholdelse er det fare for elektrisk stÅt, brann og/eller for alvorlige personskader. Oppbevar bruksanvisningen med alle instruksjoner, sikkerhets- og varselinformasjon for senere bruk.
- **HILTI**-produkter er laget for profesjonell bruk og mÅ kun brukes, vedlikeholdes og repareres av kyndig personale. Dette personalet mÅ informeres spesielt om eventuelle farer som kan oppstÅ. Produktet og tilleggsutstyret kan utgjÅre en fare hvis det betjenes av ukvalifisert personale eller ikke brukes pÅ tiltenkt mÅte.
- Den medfÅlgende bruksanvisningen er i trÅd med det aktuelle tekniske nivÅet pÅ trykketidspunktet. Du finner alltid den mest oppdaterte versjonen pÅ nettet pÅ Hiltis produktside. FÅlg lenken eller QR-koden i denne bruksanvisningen, merket med symbolet .
- Pass pÅ at bruksanvisningen fÅlger med produktet nÅr det overlates til andre personer.

1.2 Symbolforklaring

1.2.1 Farehenvisninger

Farehenvisninger advarer mot farer under hÅndtering av produktet. FÅlgende signalord brukes:

FARE

FARE !

- ▶ For en umiddelbart truende fare som kan fÅre til alvorlige personskader eller dÅd.



ADVARSEL

ADVARSEL !

- ▶ Varsler en mulig fare som kan føre til alvorlige personskader eller død.

FORSIKTIG

FORSIKTIG !

- ▶ Varsler om en mulig farlig situasjon som kan føre til personskade eller materiell skade.

1.2.2 Symboler i bruksanvisningen

Følgende symboler benyttes i denne bruksanvisningen:

	Følg bruksanvisningen
	Bruksinstruksjoner og andre nyttige opplysninger
	Håndtering av resirkulerbare materialer
	Ikke kast elektriske apparater eller batterier i husholdningsavfallet
	Hilti li-ion-batteri
	Hilti Lader

1.2.3 Symboler i illustrasjoner

Følgende symboler brukes i illustrasjonene:

	Disse tallene viser til illustrasjonen i begynnelsen av denne bruksanvisningen.
	Nummereringen i illustrasjoner henviser til viktige arbeidstrinn eller viktige komponenter for arbeidstrinnene. I teksten blir disse arbeidstrinnene eller komponentene markert med tilhørende numre, f.eks. (3).
	Posisjonsnumrene brukes i illustrasjonen Oversikt og henviser til numrene på teksten i avsnittet Produktoversikt .
	Dette symbolet betyr at håndtering av produktet krever stor grad av oppmerksomhet.

1.3 Produktavhengige symboler

1.3.1 Symboler på produktet

Følgende symboler kan bli benyttet på produktet:

	Produktet støtter NFC-teknologi som er kompatibel med iOS- og Android-plattformer.
	Li-ion-batteri
	Bruk aldri batteriet som slagverktøy.
	Ikke mist ned batteriet. Ikke bruk et batteri som har vært utsatt for støt eller er skadet på annen måte.

1.4 Produktinformasjon

HILTI-produkter er laget for profesjonell bruk og må kun brukes, vedlikeholdes og repareres av kyndig personale. Dette personalet må informeres om eventuelle farer som kan oppstå. Produktet og tilleggsutstyret kan utgjøre en fare hvis det betjenes av ukvalifisert personale eller det benyttes feil.

Typebetegnelse og serienummer står på typeskiltet.



- ▶ Skriv inn serienummeret i tabellen nedenfor. Du trenger produktspesifikasjonene ved henvendelser til Hiltis representant eller servicesenter.

Produktopplysninger

Ryggsekk	NCV 10-22
Generasjon	01
Serienummer	

1.5 Samsvarserklæring

Produsenten erklærer under sitt eneansvar at produktet som er beskrevet her, oppfyller kravene i gjeldende lovgivning og er i samsvar med gjeldende standarder. Du finner et bilde av samsvarserklæringen på slutten av denne dokumentasjonen.

Den tekniske dokumentasjonen er lagret her:

Hilti Entwicklungsgesellschaft mbH | Zulassung Geräte | Hiltistraße 6 | 86916 Kaufering, DE

2 Sikkerhet**2.1 Sikkerhetsanvisninger**

⚠ ADVARSEL Les alle sikkerhetsanvisninger, instruksjoner, illustrasjoner og tekniske data som elektroverktøyet er utstyrt med. Manglende overholdelse av anvisningene nedenfor kan medføre elektrisk støt, brann og/eller alvorlige personskader.

Oppbevar alle sikkerhetsanvisninger og instruksjoner for fremtidig bruk.

- ▶ Bruk produktet og tilbehøret bare i teknisk feilfri stand.
- ▶ Ikke foreta manipulering eller endring av produktet eller tilbehøret.
- ▶ Fare for personskade på grunn av verktøy og/eller tilbehør som faller ned. Kontroller før arbeidet påbegynnes at batteri og montert tilbehør er godt festet.
- ▶ Vær oppmerksom, pass på hva du gjør, og gå fornuftig frem under arbeidet med et elektroverktøy. Ikke bruk elektroverktøy hvis du er trøtt eller påvirket av narkotika, alkohol eller medikamenter. Et øyeblikks uoppmerksomhet ved bruk av elektroverktøyet kan være nok til å forårsake alvorlige personskader.
- ▶ Bruk produkt og tilbehør kun i samsvar med disse anvisningene. Ta hensyn til arbeidsforholdene og arbeidet som skal utføres. Bruk av elektroverktøy til andre formål enn det som er angitt, kan føre til farlige situasjoner.
- ▶ Sørg for grundig pleie og vedlikehold av elektroverktøyet. Kontroller at bevegelige deler på elektroverktøyet fungerer feilfritt og ikke sitter i klem, og om deler er brukket eller skadet, slik at dette svekker elektroverktøyet funksjon. Få reparert skadde deler før elektroverktøyet brukes. Mange ulykker er et resultat av dårlig vedlikeholdte elektroverktøy.
- ▶ **Ikke føl deg for trygg og ikke bryt sikkerhetsreglene for elektroverktøy, heller ikke når du etter lang tids bruk er blitt fortrolig med elektroverktøyet.** Et øyeblikks uaktsomhet kan føre til alvorlige personskader.
- ▶ Ikke senk produktet ned i vann eller en annen væske.

Bruk og behandling av det batteridrevne elektroverktøyet

- ▶ **Benytt kun ladere som er anbefalt av produsenten når du skal lade batteriene.** Det oppstår brannfare hvis det benyttes andre batterier i en lader enn den laderen er egnet for.
- ▶ **Bruk bare batterier som er beregnet på de forskjellige elektroverktøyene.** Bruk av andre batterier kan medføre personskader og brannfare.
- ▶ **Unngå å oppbevare batterier som ikke brukes i nærheten av binders, mynter, nøkler, spiker, skruer eller andre små metallgjenstander som kan forårsake kortslutning av kontaktene.** En kortslutning mellom batterikontaktene kan føre til forbrenninger eller brann.
- ▶ **Ved feil bruk kan væske lekke ut av batteriet. Unngå kontakt med denne væsken. I tilfelle kontakt ved et uhell, må du skylle med vann. Hvis det kommer væske i øynene, må du i tillegg oppsøke lege.** Batterivæske som lekker ut kan føre til hudirritasjoner eller forbrenninger.
- ▶ **Ikke bruk batterier som er skadet eller modifisert.** Skadde eller modifiserte batterier kan oppføre seg uforutsigbart og forårsake brann, eksplosjon eller personskade.
- ▶ **Ikke utsett batteriet for åpen ild eller høye temperaturer.** Ild eller temperaturer over 130 °C (265 °F) kan forårsake eksplosjon.
- ▶ **Følg alle anvisningene for lading, og lad aldri batteriet eller det batteridrevne verktøyet utenfor temperaturområdet som er angitt i bruksanvisningen.** Feil lading eller lading utenfor det tillatte temperaturområdet kan ødelegge batteriet og øke brannfaren.



2.2 Aktsom håndtering og bruk av batterier

- ▶ **Ta hensyn til følgende sikkerhetsanvisninger for sikker håndtering og bruk av li-ion-batterier.** Manglende overholdelse kan føre til hudirritasjoner, alvorlige korrosive skader, kjemiske forbrenninger, brann og/eller eksplosjoner.
- ▶ Bruk kun batterier i teknisk feilfri stand.
- ▶ Behandle batterier med omhu for å unngå skader og forhindre at svært helseskadelige væsker lekker ut!
- ▶ Batterier må under ingen omstendigheter modifiseres eller manipuleres!
- ▶ Batteriene må ikke tas fra hverandre, klemmes, varmes opp over 80 °C (176 °F) eller brennes.
- ▶ Ikke bruk eller lad opp batterier som har vært utsatt for et støt eller er skadd på annen måte. Kontroller batteriene regelmessig for å se etter tegn på skader.
- ▶ Bruk aldri resirkulerte eller reparerte batterier.
- ▶ Ikke bruk batteriet eller et batteridrevet elektroverktøy som slagverktøy.
- ▶ Utsett aldri batterier for direkte sollys, høy temperatur, gnistdannelse eller åpen flamme. Dette kan føre til eksplosjoner.
- ▶ Ikke berør batteripolene med fingrene, verktøy, smykker eller andre elektrisk ledende gjenstander. Dette kan skade batteriet samt forårsake materielle skader og personskader.
- ▶ Hold batteriene unna regn, fuktighet og væsker. Hvis fuktighet trenger inn, kan dette føre til kortslutning, elektrisk støt, forbrenninger, brann og eksplosjoner.
- ▶ Bruk kun ladere og elektroverktøy som er beregnet på denne batteritypen. Følg i den forbindelse opplysningene i de tilhørende bruksanvisningene.
- ▶ Ikke bruk eller oppbevar batteriet i eksplosjonsfarlige omgivelser.
- ▶ Hvis batteriet er for varmt til at du kan ta på det, kan det være defekt. Plasser batteriet på et synlig, ikke brennbart sted med tilstrekkelig avstand til brennbare materialer. La batteriet kjølnes. Hvis batteriet fremdeles er for varmt til at du kan ta på det etter en time, er det defekt. Kontakt **Hilti** service eller les dokumentet "Informasjon om sikkerhet og bruk av **Hilti** li-ion-batterier".



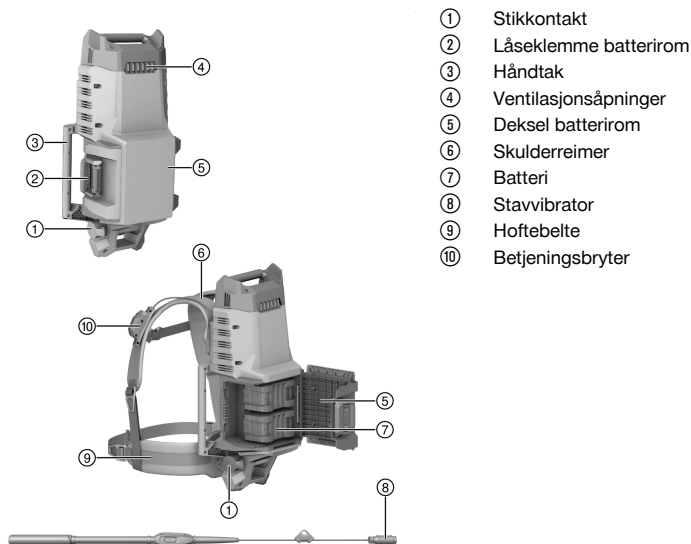
Ta hensyn til spesielle retningslinjer som gjelder for transport, lagring og bruk av litium-ion-batterier.



Les informasjonen om sikkerhet og bruk av **Hilti** li-ion-batterier, som du finner ved å skanne QR-koden bakerst i denne bruksanvisningen.

3 Beskrivelse

3.1 Produktoversikt 1



3.2 Forskriftsmessig bruk

Det beskrevne produktet er en strømforsyning som kan bæres på ryggen. Strømforsyningen benytter **Hilti** Nuron li-ion-batterier av serien B 22 som strømkilde. Strømforsyningen er kun beregnet på drift av stavvibratører med intern motor.

- Til dette produktet må det bare benyttes **Hilti** Nuron li-ion-batterier i serien B 22. For optimal ytelse anbefaler **Hilti** å benytte batteriene som er angitt i tabellen på slutten av denne bruksanvisningen til produktet.
- Til disse batteriene må det bare benyttes **Hilti**-ladere i seriene som er står oppført i tabellen bakerst i denne bruksanvisningen.

3.3 Følgende inngår i leveransen:

Bærbar strømforsyning, bruksanvisning

I tillegg finner du godkjente systemprodukter til produktet hos nærmeste **Hilti Store** eller under: www.hilti.group

3.4 Indikatorer for li-ion-batteriet

Hilti Nuron Li-ion-batterier kan indikere ladetilstand, feilmeldinger og batteriets tilstand.

3.4.1 Indikatorer for ladetilstand og feilmeldinger



ADVARSEL

Fare for personskader på grunn av batteri som faller ned!

- ▶ Når du har satt i batteriet og trykt på låseknappen, må du kontrollere at batteriet igjen klikker på plass i produktet som brukes.

For å få frem en av følgende indikatorer trykker du kort på batteriets utløserknapp.

Ladetilstanden samt eventuelle feil indikeres også hele tiden så lenge det tilkoblede produktet er slått på.

Tilstand	Betydning
Fire (4) lysdioder (LED) lyser konstant grønt	Ladetilstand: 100 % til 71 %
Tre (3) lysdioder (LED) lyser konstant grønt	Ladetilstand: 70 % til 51 %
To (2) lysdioder (LED) lyser konstant grønt	Ladetilstand: 50 % til 26 %
Én (1) lysdiode (LED) lyser konstant grønt	Ladetilstand: 25 % til 10 %
Én (1) lysdiode (LED) blinker langsomt grønt	Ladetilstand: < 10 %
Én (1) lysdiode (LED) blinker raskt grønt	Li-ion-batteriet er helt utladet. Lad batteriet. Hvis lysdioden fortsatt blinker raskt etter at batteriet er ladet, kontakter du Hilti service.
Én (1) lysdiode (LED) blinker raskt gult	Li-ion-batteriet eller det tilkoblede produktet er overbelastet, for varmt eller for kaldt eller det foreligger en annen feil. Bring produktet og batteriet til anbefalt arbeidstemperatur, og ikke overbelast produktet når du bruker det. Hvis meldingen vedvarer, kontakter du Hilti service.
Én (1) lysdiode (LED) lyser gult	Li-ion-batteriet og det tilkoblede produktet er ikke kompatible. Kontakt Hilti service.
Én (1) lysdiode (LED) blinker raskt rødt	Li-ion-batteriet er sperret og kan ikke brukes lenger. Kontakt Hilti service.

3.4.2 Indikering av batteriets tilstand

For å sjekke tilstanden til batteriet holder du utløserknappen inne i over tre sekunder. Systemet registrerer ikke mulige funksjonsfeil på batteriet som følge av skjødesløs bruk, som f.eks. at det er mistet ned, er påført hull eller skader forårsaket av eksterne varmekilder osv.



Tilstand	Betydning
Alle LED-ene lyser som løpelys og deretter lyser én (1) LED konstant grønt.	Batteriet kan brukes videre.
Alle LED-ene lyser som løpelys og deretter blinker én (1) LED raskt gult.	Kartlegging av batteriets tilstand kunne ikke fullføres. Gjenta prosedyren eller kontakt Hilti service.
Alle LED-ene lyser som løpelys og deretter lyser én (1) LED konstant rødt.	Hvis et tilkoblet produkt fortsatt kan brukes, er den gjenværende batterikapasiteten under 50 %. Hvis et tilkoblet produkt ikke lenger kan brukes, er batteriets levetid over og batteriet må skiftes ut. Kontakt Hilti service.

4 Tekniske data

Utgangseffekt system	42,4 V, 3PΔ, 200 Hz~, 1000 W
Beskyttelsesklasse	IP X4
Omgivelsestemperatur under drift	-17 °C ... 40 °C
Lagringstemperatur	-20 °C ... 70 °C

4.1 Batteri

Batteriets driftsspennning	21,6 V
Vekt batteri	Se bakerst i bruksanvisningen
Omgivelsestemperatur under drift	-17 °C ... 60 °C
Lagringstemperatur	-20 °C ... 40 °C
Batteritemperatur ved ladestart	-10 °C ... 45 °C

5 Klargjøring til arbeidet

ADVARSEL

Fare for personskader på grunn av utilsiktet start!

- ▶ Før batteriet settes i, må det kontrolleres at det tilhørende produktet er slått av.
- ▶ Fjern batteriet før du foretar maskininnstillinger eller skifter tilbehørsdeler.

Følg sikkerhetshenvisningene og advarslene i denne dokumentasjonen og på produktet.

5.1 Lade batteriet

1. Les bruksanvisningen for laderen før lading.
2. Kontaktene på batteriet og laderen må være rene og tørre.
3. Lad opp batteriet i en godkjent lader. 30

5.2 Sette i batteri

ADVARSEL

Fare for personskader på grunn av kortslutning eller ved at batteriet faller ned!

- ▶ Forsikre deg om at det ikke er fremmedlegemer ved kontaktene på batteriet og kontaktene på produktet før du setter batteriet inn i maskinen.
- ▶ Kontroller at batteriet alltid går riktig i inngrep.

1. Lad batteriet helt opp før første gangs bruk.
2. Åpne dekselet til batterirommet.
3. Skyv et batteri inn i produktet til du hører at det klikker på plass.
4. Kontroller at batteriet sitter godt fast.
5. Gjenta prosedyren for det andre batteriet.
6. Lukk dekselet til batterirommet.



5.3 Ta ut batteri

1. Åpne dekselet til batterirommet.
2. Trykk på utløserknappen til et batteri.
3. Trekk batteriet ut av produktet.
4. Gjenta prosedyren for det andre batteriet.
5. Lukk dekselet til batterirommet.

6 Betjening

Følg sikkerhetsanvisningene og advarslene i denne dokumentasjonen og på produktet.

6.1 Ta på bærbar strømforsyning 2, 3, 4, 5, 6, 7

1. Ta produktet på deg som en ryggsekk. Stikk armene gjennom skulderreimene, og plasser skulderreimene på skuldrene.
2. Lukk klipslåsen på hoftebeltet.
3. Tilpass hoftebeltet.
 - ▶ Vipp på beltespennene for å løsne hoftebeltet.
 - ▶ Trekk de to endene av hoftebeltet forover for å stramme beltet.
4. Lukk klipslåsen på brystreimen.
5. Tilpass brystreimen.
6. Tilpass skulderreimene.
 - ▶ Vipp på reimspennene for å slakke skulderreimene.
 - ▶ Trekk ned endene for å stramme skulderreimene.

6.2 Koble til stavvibrator 3

1. Åpne lokket på stikkkontakten.
2. Plugg stavvibratorens støpsel i stikkkontakten.
3. Hekt strekkavlastningen på hoftebeltet.

6.3 Aktivere stikkontakt 3

- ▶ Aktivert betjeningsbryteren for å tilføre stikkkontakten strøm.
 - ▶ Den grønne LED-en signaliserer at stikkkontakten er aktivert.
 - ▶ Den oransje LED-en signaliserer svak batterilading.

6.4 Betjene stavvibrator

- ▶ Les den tilhørende bruksanvisningen for å betjene den tilkoblede stavvibratoren.

6.5 Deaktivere stikkontakt 3

Når du avslutter arbeidet med stavvibratoren, deaktiverer du alltid også stikkkontakten til **NCV 10-22**.

- ▶ Deaktiver betjeningsbryteren for å koble ut strømtilførselen til stikkkontakten.
 - ▶ LED-ene slukner.



Stikkkontakten til **NCV 10-22** deaktiveres automatisk etter 30 minutter uten bruk.

7 Pleie og vedlikehold



ADVARSEL

Fare for personskader på grunn av isatt batteri !

- ▶ Ta alltid ut batteriet før stell og vedlikeholdsarbeid!

Pleie av produktet

- Fjern forsiktig gjenstridig smuss.
- Rengjør ventilasjonsåpningene, der slike finnes, forsiktig med en tørr og myk børste.



- Rengjør huset bare med en lett fuktet klut. Ikke bruk silikonholdige pleiemidler, ettersom dette kan angripe plastdelene.
- Bruk en ren og tørr klut for å rengjøre kontaktene på produktet.

Pleie av li-ion-batterier

- Bruk aldri et batteri med tilstoppede ventilasjonsåpninger. Rengjør ventilasjonsåpningene forsiktig med en tørr og myk børste.
- Unngå at batteriet unødig utsettes for støv eller smuss. Ikke utsett batteriet for høy fuktighet (f.eks. ved å dyppe det i vann eller la det stå ute i regnet). Hvis et batteri blir gjennomvått, må det behandles som et skadet batteri. Isoler det i en ikke-brennbar beholder, og kontakt **Hilti service**.
- Hold batteriet fritt for fremmed olje og fett. Ikke la unødig støv eller smuss samle seg på batteriet. Rengjør batteriet med en tørr og myk børste eller en ren og tørr klut. Ikke bruk silikonholdige pleiemidler, ettersom dette kan angripe plastdelene. Ikke berør kontaktene på batteriet, og ikke fjern fett som er smurt på kontaktene fra fabrikkens.
- Rengjør huset bare med en lett fuktet klut. Ikke bruk silikonholdige pleiemidler, ettersom dette kan angripe plastdelene.

Vedlikehold

- Kontroller alle synlige deler regelmessig mht. skade og alle betjenings-elementer mht. feilfri funksjon.
- Ved skader og/eller funksjonsfeil må produktet ikke brukes. Få produktet omgående reparert av **Hilti service**.
- Monter alle beskyttelsesinnretninger etter pleie- og vedlikeholdsarbeid, og kontroller at de fungerer feilfritt.



Av hensyn til sikkerheten må du bare bruke originale reservedeler og forbruksmateriell. Reservedeler, forbruksmateriell og tilbehør som er godkjent av **Hilti**, finner du i nærmeste **Hilti Store** eller på: www.hilti.group

8 Transport og lagring av batteriverktøy og batterier

Transport



Utisiktet start under transport !

- ▶ Transporter alltid produktene dine uten batterier!
- ▶ Ta ut batteri(er).
- ▶ Batterier må aldri transporteres løst. Under transport må batteriene beskyttes mot kraftige støt og vibrasjoner og isoleres fra ledende materialer og andre batterier, slik at de ikke kan komme i berøring med andre batteripoler og dermed forårsake kortslutning. **Følg lokale transportforskrifter for batterier.**
- ▶ Batterier må ikke sendes i posten. Kontakt et transportfirma hvis du vil sende uskadde batterier.
- ▶ Kontroller produkt og batterier med henblikk på skader før hver bruk samt før og etter lengre transport.

Lagring



Utisiktet skade på grunn av defekte batterier eller lekkasje fra batterier !

- ▶ Oppbevar alltid produktene dine uten batterier!
- ▶ Oppbevar produkt og batterier kjølig og tørt. Ta hensyn til temperaturgrensene som er angitt under tekniske data.
- ▶ Ikke oppbevar batterier på laderen. Ta alltid batteriet ut av laderen etter ferdig lading.
- ▶ Batterier må aldri oppbevares i solen, på varmekilder eller bak glass.
- ▶ Oppbevar produktet og batterier utenfor barns og uvedkommendes rekkevidde.
- ▶ Kontroller produkt og batterier med henblikk på skader før hver bruk samt før og etter lengre tids lagring.

9 Feilsøking

Ved alle feil må du sjekke ladetilstands- og feilindikatoren for batteriet. Se kapittelet **Indikatorer for li-ion-batteriet**.

Ved feil som ikke står i denne tabellen eller som du selv ikke kan utbedre, må du kontakte **Hilti service**.



Feil	Mulig årsak	Løsning
Batteriet festes ikke med et hørbart klikk.	Festetappen på batteriet er tilsmusset.	► Rengjør festetappen og sett batteriet inn igjen.
Produktet kan ikke slås på.	Batteriet er utladet.	► Skift batteri og lad tomt batteri.
	Batteriet er ikke satt helt inn.	► Smekk batteriene på plass med et hørbart klikk.

10 Kassering

ADVARSEL

Fare for personskade ved ikke-forskriftsmessig kassering! Gasser eller væsker som lekker ut, utgjør en helsefare.

- Ikke send skadde batterier i posten eller på annen måte!
- Dekk til kontaktene med et ikke-ledende materiale for å unngå kortslutning.
- Kasser batterier slik at de er utilgjengelige for barn.
- Lever inn batteriet i nærmeste **Hilti Store**, eller kontakt et lokalt renovasjonsfirma.

Hilti produkter er i stor grad laget av gjenvinnbare materialer. Riktig materialsortering er en forutsetning for gjenvinning. I mange land tar **Hilti** imot ditt gamle apparat for gjenvinning. Spør **Hilti** kundeservice eller forhandleren.



- Kast aldri elektroverktøy, elektronisk utstyr eller batterier i husholdningsavfallet!

11 Produsentgaranti

- Når det gjelder spørsmål om garantibetingelser, ber vi deg kontakte din lokale **Hilti**-partner.

12 Ytterligere informasjon

Du finner mer informasjon om betjening, teknologi, miljø og resirkulering under følgende lenke: qr.hilti.com/manual/?id=2370140&id=2370142

Denne lenken finner du også bakerst i bruksanvisningen i form av en QR-kode.

Alkuperäiset ohjeet

1 Tämän käyttöohjeen tiedot

1.1 Tästä käyttöohjeesta

- **Varoitus!** Ennen tuotteen käyttämistä varmista, että olet lukenut ja ymmärtänyt tuotteen mukana toimitetun käyttöohjeen ja sen sisältämät ohjeet, neuvot sekä turvallisuus- ja varoitushuomautukset, kuvat ja tekniset erittelyt. Perehdy etenkin kaikkiin ohjeisiin, turvallisuus- ja varoitushuomautuksiin, kuviin, teknisiin erittelyihin sekä tuotteen osiin ja toimintoihin. Ellei määräyksiä, ohjeita ja neuvoja noudateta, aiheutuu sähköiskun, tulipalon ja/tai vakavien vammojen vaara. Säilytä käyttöohje ja kaikki ohjeet sekä turvallisuus- ja varoitushuomautukset myöhempää käyttötarvetta varten.
- **HILTI** -tuotteet on tarkoitettu ammattikäyttöön, ja niitä saa käyttää, huoltaa tai korjata vain valtuutettu, koulutettu henkilö. Käyttäjän pitää olla hyvin perillä käyttöön liittyvistä vaaroista. Tuote ja sen varusteet saattavat aiheuttaa vaarallanteita, jos kokemattomat henkilöt käyttävät tuotetta ohjeiden vastaisesti tai muutoin asiattomasti.
- Oheinen käyttöohje vastaa tekniikan tasoa painatushetkellä. Katso uusin versio internetistä Hiltin tuotesivustolta. Sinne pääset tässä käyttöohjeessa olevasta linkistä tai QR-koodilla, joka on merkitty symbolilla .
- Varmista, että tämä käyttöohje on mukana, kun luovutat tuotteen toiselle henkilölle.



1.2 Merkkien selitykset

1.2.1 Varoitushuomautukset

Varoitushuomautukset varoittavat tuotteen käyttöön liittyvistä vaaroista. Seuraavia varoitustekstejä käytetään:

VAKAVA VAARA

VAKAVA VAARA !

- ▶ Varoittaa uhkaavasta vaaratilanteesta, josta voi seurauksena olla vakava loukkaantuminen tai jopa kuolema.

VAARA

VAARA !

- ▶ Varoittaa mahdollisesta vaarasta, josta voi seurauksena olla vakava loukkaantuminen tai kuolema.

VAROITUS

HUOMIO !

- ▶ Varoittaa mahdollisesta vaaratilanteesta, josta voi seurata loukkaantuminen tai aineellinen vahinko.

1.2.2 Symbolit käyttöohjeessa

Tässä käyttöohjeessa käytetään seuraavia symboleita:

	Noudata käyttöohjetta
	Toimintaohjeita ja muuta hyödyllistä tietoa
	Kierrätyskelpoisten materiaalien käsittely
	Älä hävitä sähkölaitteita ja akkuja tavallisen sekajätteen mukana
	Hiiti -litiumioniakku
	Hiiti -laturi

1.2.3 Symbolit kuvissa

Kuvissa käytetään seuraavia symboleita:

	Nämä numerot viittaavat vastaavaan kuvaan tämän käyttöohjeen alussa.
	Numerointi kuvissa viittaa tärkeisiin työvaiheisiin tai työvaiheiden kannalta tärkeisiin rakenneseisiin. Nämä vastaavasti numeroidut työvaiheet tai rakenneosat korostetaan tekstissä, esimerkiksi (3) .
	Kohtanumeroita käytetään kuvassa Yleiskuva , ja ne viittaavat kuvatekstien numerointiin kappaleessa Tuoteyhteenveto .
	Tämän merkin tarkoitus on kiinnittää erityinen huomiosi tuotteen käyttöön ja käsittelyyn.

1.3 Tuotekohtaiset symbolit

1.3.1 Symbolit tuotteessa

Tuotteessa voidaan käyttää seuraavia symboleita:

	Tämä tuote tukee iOS- ja Android-alustojen kanssa yhteensopivaa NFC-tekniologiaa.
	Litiumioniakku
	Älä koskaan käytä akkua lyöntityökaluna.





Älä päästä akkua putoamaan. Älä käytä akkua, johon on kohdistunut isku tai joka on muutoin vaurioitunut.

1.4 Tuotetiedot

HILTI -tuotteet on tarkoitettu ammattikäyttöön, ja niitä saa käyttää, huoltaa tai korjata vain valtuutettu, koulutettu henkilö. Käyttäjän pitää olla hyvin perillä käyttöön liittyvistä vaaroista. Tuote ja sen varusteet saattavat aiheuttaa vaaratilanteita, jos kokemattomat henkilöt käyttävät tuotetta ohjeiden vastaisesti tai muutoin asiattomasti.

Tyypimerkinnän ja sarjanumeron löydät tyyppikilvestä.

- Kirjoita sarjanumero ohaiseen taulukkoon. Tuotteen tiedot tarvitaan, jos esität kysymyksiä myynti- tai huoltoedustajallemme.

Tuotetiedot

Rinkka	NCV 10-22
Sukupuoli	01
Sarjanumero	

1.5 Vaatimustenmukaisuusvakuutus

Valmistaja vakuuttaa, että tässä kuvattu tuote täyttää sitä koskevien voimassa olevien lakien ja standardien vaatimukset. Kuva vaatimustenmukaisuusvakuutuksesta on tämän dokumentaation lopussa.

Tekninen dokumentaatio löytyy tästä:

Hilti Entwicklungsgesellschaft mbH | Zulassung Geräte | Hiltistraße 6 | 86916 Kaufering, DE

2 Turvallisuus

2.1 Turvallisuusohjeet

⚠ VAROITUSLue kaikki turvallisuus- ja käyttöohjeet, selostukset ja tekniset tiedot, jotka liittyvät tähän sähkötyökaluun. Seuraavien ohjeiden noudattamatta jättäminen saattaa johtaa sähköiskuun, tulipaloon ja/tai vakavaan loukkaantumiseen.

Säilytä kaikki turvallisuus- ja käyttöohjeet huolellisesti vastaisen varalle.

- Käytä vain tuotetta ja lisävarusteita, jotka ovat teknisesti moitteettomassa kunnossa.
- Älä koskaan tee tuotteeseen tai lisävarusteisiin minkäänlaisia muutoksia.
- Putoamaan pääsevät työkalut ja/tai lisävarusteet aiheuttavat loukkaantumisaaran. Ennen työn aloittamista tarkasta, että akku ja asennettu lisävaruste ovat kunnolla kiinni.
- Ole valpas, kiinnitä huomiota työskentelyysi ja noudata tervettä järkeä sähkötyökalua käyttäessäsi. Älä käytä sähkötyökalua, jos olet väsynyt tai huumeiden, alkoholin tai lääkkeiden vaikutuksen alaisena. Sähkötyökalua käytettäessä hetkellinenkin varomattomuus saattaa aiheuttaa vakavia vammoja.
- Käytä tuotetta ja lisävarusteita aina näiden ohjeiden mukaisesti. Ota tällöin työolosuhteet ja suoritettava työtehtävä huomioon. Sähkötyökalun käyttö muuhun kuin sille tarkoitettuun käyttöön saattaa johtaa vaarallisiin tilanteisiin.
- Hoida sähkötyökalujasi huolella. Tarkasta, että liikkuvat osat toimivat moitteettomasti eivätkä ole puristuksissa, ja tarkasta myös, ettei sähkötyökalussa ole murtuneita tai vaurioituneita osia, jotka saattaisivat haitata sen toimintaa. Korjauta vaurioituneet osat ennen työkalun käyttämistä. Usein loukkaantumisten ja tapaturmien syynä on sähkötyökalujen laiminlyöty huolto.
- **Älä tuudittaudu virheelliseen turvallisuuden tunteeseen äläkä laiminlyö sähkötyökaluja koskevia turvallisuusohjeita silloinkaan, kun mielestäsi jo olet kokenut sähkötyökalun käyttäjä.** Harkitsematon ja huolimaton toiminta voi sekunnin murto-osissa johtaa vakaviin loukkaantumisiin.
- Älä upota tuotetta veteen tai muuhun nesteeseen.

Akkukäyttöisen sähkötyökalun käyttö ja käsittely

- **Lataa akut vain valmistajan suositamalla laturilla.** Jos laturi on tarkoitettu vain tietyn akkumallin lataamiseen, palovaara on olemassa, jos laturia käytetään muiden akkujen lataamiseen.
- **Käytä ainoastaan juuri kyseiseen sähkötyökaluun tarkoitettuja akkuja.** Muunlaisten akkujen käyttö saattaa johtaa loukkaantumiseen ja tulipaloon.
- **Pidä irrallinen akku loitolla metalliesineistä, kuten paperiliittimistä, kolikoista, avaimista, nautoista, ruuveista tai muista pienistä metalliesineistä, jotka voivat oikosulkea akun liittimet.** Akun liittimien välinen oikosulku saattaa aiheuttaa palovammoja tai johtaa tulipaloon.




- ▶ **Väärästä käytöstä johtuen saattaa akusta vuotaa nestettä, jota ei saa koskettaa. Vältä kosketusta sen kanssa. Tarvittaessa huuhtelee kosketuskohta vedellä. Jos nestettä pääsee silmiin, tarvitaan lisäksi lääkärin apua.** Akusta vuotava neste saattaa aiheuttaa ärsytystä ja palovammoja.
- ▶ **Älä käytä akkua, joka on vaurioitunut tai johon on tehty muutoksia.** Vaurioitunut akku tai akku, jota on muutettu, saattaa käyttäytyä yllättävästi ja aiheuttaa tulipalon, räjähdyksen ja vammoja.
- ▶ **Varjele akkua avotulelta ja korkeilta lämpötiloilta.** Avotuli tai yli 130 °C:n (265 °F) lämpötila voi aiheuttaa räjähdyksen.
- ▶ **Noudata kaikkia akun lataamisesta annettuja ohjeita, ja lataa akku tai akun sisältävä sähkötyökalu aina käyttöohjeessa mainittuja lämpötilarajoja noudattaen.** Akun virheellinen lataaminen tai lataaminen sallitun lämpötila-alueen lämpötiloja noudattamatta saattaa johtaa akun tuhoutumiseen ja aiheuttaa tulipalovaaran.

2.2 Akkujen käyttö ja hoito

- ▶ **Noudata seuraavia turvallisuusohjeita, jotka varmistavat litiumioniakkujen turvallisen käsittelyn ja käytön.** Ohjeiden noudattamatta jättäminen saattaa aiheuttaa ihoärsytystä, vakavia syöpymisvammoja, kemiallisia palovammoja, tulipalon ja/tai räjähdyksen.
- ▶ Käytä vain akkua, joka on teknisesti moitteettomassa kunnossa.
- ▶ Käsittele akkuja huolellisesti, jotta vältät vauriot ja terveydelle vakavasti vaarallisten nesteiden vuotamisen ulos!
- ▶ Akkuja ei saa mitenkään muuttaa tai manipuloida!
- ▶ Akkuja ei saa avata, puristaa, kuumentaa lämpötilaan yli 80 °C (176 °F) tai polttaa.
- ▶ Älä käytä tai lataa akkua, johon on kohdistunut isku tai joka muutoin on vaurioitunut. Tarkasta akustasi vaurioiden merkit säännöllisin välein.
- ▶ Älä koskaan käytä kierrätettyä tai korjattua akkua.
- ▶ Älä käytä akkua tai akkukäyttöistä sähkötyökalua koskaan lyöntityökaluna.
- ▶ Älä koskaan altista akkua suoralle auringonpaisteelle, korkealle lämpötilalle, kipinöille tai avotulelle. Siitä voi aiheutua räjähdys.
- ▶ Älä kosketa akun napoja sormilla, työkaluilla, koruilla tai muilla metallisilla esineillä. Seurauksena akku voi vaurioitua ja aiheuttaa aineellisia vahinkoja tai vammoja.
- ▶ Älä altista akkua sateelle, kosteudelle tai nesteille. Sisään tunkeutunut kosteus voi aiheuttaa oikosulun, sähköiskun, palovammoja tai räjähdyksen.
- ▶ Käytä aina vain tälle akkutyypille tarkoitettuja latureita ja sähkötyökaluja. Noudata niiden käyttöohjeissa annettuja ohjeita.
- ▶ Älä käytä tai varastoi akkua räjähdysvaarallisessa ympäristössä.
- ▶ Jos akku on liian kuuma koskea, se saattaa olla vaurioitunut. Laita akku palovaarattomaan paikkaan ja riittävän etäälle syttyivistä materiaaleista. Anna akun jäähtyä. Jos akku vielä tunnin kuluttuakin on liian kuuma koskea, akku on vaurioitunut. Ota yhteys **Hilti**-huoltoon tai lue dokumentti "**Hilti**-litiumioniakkujen turvallisuuteen ja käyttöön liittyviä ohjeita".



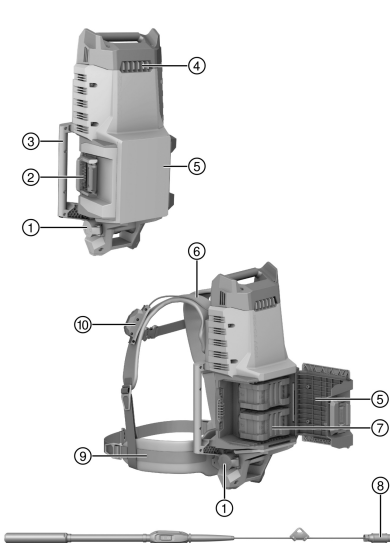
Noudata erityisiä ohjeita ja direktiivejä, jotka koskevat litiumioniakkujen kuljettamista, varastointia ja käyttöä.  42

Lue **Hilti**-litiumioniakkujen turvallisuuteen ja käyttöön liittyvät ohjeet, jotka saat skannaamalla tämän käyttöohjeen lopussa olevan QR-koodin.



3 Kuvaus

3.1 Tuoteyhteenvedo



- ① Pistorasia
- ② Akkulokeron salpa
- ③ Käsikahva
- ④ Jäähdytysilmaraot
- ⑤ Akkulokeron kansi
- ⑥ Hartiahihnat
- ⑦ Akku
- ⑧ Uppotärytin
- ⑨ Lantiohihna
- ⑩ Käyttökytkin

3.2 Tarkoituksenmukainen käyttö

Kuvattu tuote on selässä kannettava virtalähde. Tämä virtalähde on tarkoitettu tyypisarjan B 22 **Hilti** Nuron -litiumioniakkujen kiinnittämiseen energialähteeksi. Se on tarkoitettu ainoastaan uppotäryttimille, joiden sisällä on moottori.

- Käytä tässä tuotteessa vain tyypisarjan B 22 **Hilti** Nuron -litiumioniakkuja. Parhaan tehon saavuttamiseksi **Hilti** suosittaa, että tässä tuotteessa käytetään vain tämän käyttöohjeen lopussa olevassa taulukossa mainittuja akkuja.
- Käytä näiden akkujen lataamiseen vain tämän käyttöohjeen lopussa olevassa taulukossa mainittujen tyypisarjojen **Hilti**-latureita.

3.3 Toimituksen sisältö

Kannettava virtalähde, käyttöohje

Muita tälle tuotteelle hyväksytyjä järjestelmätuotteita löydät **Hilti Store** -liikkeestä tai nettiosoitteesta: www.hilti.group

3.4 Litiumioniakun näyttö

Hilti Nuron -litiumioniakuiissa on lataustilan, vikailmoitusten ja akun kunnan näyttö.

3.4.1 Lataustilan ja vikailmoitusten näyttö

VAARA

Loukkaantumisvaara akun putoamisesta aiheutuva!

- Varmista, että akku on kunnolla lukittunut tuotteeseen, jos akun paikalleen laittamisen jälkeen olet painanut lukituksen vapautuspainiketta.

Jotta jokin seuraavista näytöistä voi tulla näyttöön, paina akun lukituksen vapautuspainiketta lyhyesti.

Lataustila ja mahdolliset häiriöt pysyvät näytössä niin kauan, kuin liitetty tuote on päälle kytkettynä.

Tila	Merkitys
Neljä (4) LED-merkkivaloa palaa jatkuvasti vihreänä	Lataustila: 100...71 %



Tila	Merkitys
Kolme (3) LED-merkkivaloa palaa jatkuvasti vihreänä	Lataustila: 70...51 %
Kaksi (2) LED-merkkivaloa palaa jatkuvasti vihreänä	Lataustila: 50...26 %
Yksi (1) LED palaa jatkuvasti vihreänä	Lataustila: 25...10 %
Yksi (1) LED-merkkivalo vilkkuu hitaasti vihreänä	Lataustila: < 10 %
Yksi (1) LED-merkkivalo vilkkuu nopeasti vihreänä	Litiumioniakku on täysin tyhjentynyt. Lataa akku. Jos LED-merkkivalo akun lataamisen jälkeenkin vielä vilkkuu nopeasti, ota yhteys Hilti -huoltoon.
Yksi (1) LED-merkkivalo vilkkuu nopeasti keltaisena	Litiumioniakku tai siihen liitetty tuote on ylikuormitunut, liian kuuma tai liian kylmä tai jokin muu vika on olemassa. Saata tuote ja akku suositeltuun käyttölämpötilaan ja älä ylikuormita tuotetta sitä käyttäessäsi. Jos viesti edelleen on näytössä, ota yhteys Hilti -huoltoon.
Yksi (1) LED-merkkivalo palaa keltaisena	Litiumioniakku ja siihen liitetty tuote eivät ole yhteensopivat. Ota yhteys Hilti -huoltoon.
Yksi (1) LED-merkkivalo vilkkuu nopeasti punaisena	Litiumioniakku on estetty eikä sitä voida käyttää. Ota yhteys Hilti -huoltoon.

3.4.2 Akun kunnan näyttö

Litiumioniakun kunnan voit hakea näyttöön painamalla akun lukituksen vapautuspainiketta yli kolmen sekunnin ajan. Järjestelmä tunnistaa akun mahdollisen virheellisen toiminnan väärin käyttämisen seurauksena, esimerkiksi akku päässyt putoamaan, akussa reikä, akussa ulkoisen lämmön aiheuttama vaurio jne.

Tila	Merkitys
Kaikki LED-merkkivalot syttyvät juoksevasti ja sitten yksi (1) LED-merkkivalo jää palamaan vihreänä.	Акун käyttämistä voidaan jatkaa.
Kaikki LED-merkkivalot syttyvät juoksevasti ja sitten yksi (1) LED-merkkivalo vilkkuu nopeasti keltaisena.	Kyselyä akun kunnosta ei saatu tehtyä loppuun saakka. Toista tämä vaihe tai ota yhteys Hilti -huoltoon.
Kaikki LED-merkkivalot syttyvät juoksevasti ja sitten yksi (1) LED-merkkivalo jää palamaan punaisena.	Jos liitettyä tuotetta voi edelleen käyttää, jäljellä oleva akkukapasiteetti on alle 50 %. Jos liitettyä tuotetta ei enää voi käyttää, akku on tullut käyttöikänsä päähän ja vaihdettava. Ota yhteys Hilti -huoltoon.

4 Tekniset tiedot

Järjestelmän lähtöteho	42,4 V, 3PΔ, 200 Hz~, 1000 W
Suojausluokka	IP X4
Ympäristön lämpötila käytettäessä	-17 °C ... 40 °C
Varastointilämpötila	-20 °C ... 70 °C

4.1 Akku

Akkutoimintajännite	21,6 V
Akun paino	Ks. tämän käyttöohjeen loppu
Ympäristön lämpötila käytettäessä	-17 °C ... 60 °C
Varastointilämpötila	-20 °C ... 40 °C
Akun lämpötila lataamisen alkaessa	-10 °C ... 45 °C



5 Työkohteen valmistelu


VAARA

Loukkaantumisvaara vahingossa käynnistymisen seurauksena!

- ▶ Varmista ennen akun kiinnittämistä, että tuote on kytketty pois päältä.
- ▶ Irrota akku, ennen kuin muutat koneen säätöjä tai vaihdat lisävarusteosia.

Noudata tässä dokumentaatioissa ja tuotteessa olevia turvallisuus- ja varoitushuomautuksia.

5.1 Akun lataus

1. Ennen lataamista lue laturin käyttöohje.
2. Varmista, että liittimet akussa ja laturissa ovat puhtaat ja kuivat.
3. Lataa akku hyväksytyllä laturilla.  38

5.2 Akun laittaminen paikalleen

VAARA

Loukkaantumisvaara akun oikosulun tai putoamisen seurauksena!

- ▶ Ennen akun paikalleen laittamista varmista, ettei akun liittimissä akussa ja tuotteessa ole vieraita esineitä.
 - ▶ Varmista, että akku aina lukittuu kunnolla paikalleen.
1. Lataa akku täyteen ennen ensimmäistä käyttökertaa.
 2. Avaa akkulokeron kansi.
 3. Työnnä akku tuotteeseen siten, että se kuultavasti lukittuu paikalleen.
 4. Tarkasta, että akku on kunnolla kiinni.
 5. Toista sama vaihe toiselle akulle.
 6. Sulje akkulokeron kansi.

5.3 Akun irrotus

1. Avaa akkulokeron kansi.
2. Paina akun lukituksen vapautuspainiketta.
3. Vedä akku irti tuotteesta.
4. Toista sama vaihe toiselle akulle.
5. Sulje akkulokeron kansi.

6 Käyttö

Noudata tässä dokumentaatioissa ja tuotteessa olevia turvallisuus- ja varoitushuomautuksia.

6.1 Kannettavan virtalähteen pukeminen päälle **2, 3, 4, 5, 6, 7**

1. Pue tuote selkään kuin pukisit rinkan. Vie käsivarret hartiahihnojen kautta ja sijoita hartiahihnat hartioillesi.
2. Kiinnitä lantioihnan pistosolki.
3. Sovita lantioihna paikalleen.
 - ▶ Kun haluat löysätä lantioihnaa, käännä solkia.
 - ▶ Kiristä lantioihna vetämällä lantioihnan molemmista päistä eteenpäin.
4. Kiinnitä rintahihnan pistosolki.
5. Säädä rintahihna.
6. Säädä hartiahihnat.
 - ▶ Löystyä hartiahihnat kääntämällä hihnasoljet auki.
 - ▶ Kiristä hartiahihnat vetämällä hihnanpäitä alaspäin.

6.2 Uppotäryttimen liittäminen **3**

1. Avaa pistorasian kansi.
2. Liitä uppotäryttimen verkkopistoke pistorasiaan.
3. Ripusta vedonkevennin lantioihnaan.



6.3 Pistorasian aktivointi

- ▶ Aktivoi käyttökytkin, jotta luot energiansyötön pistorasiaan.
 - ▶ Vihreä LED-merkkivalo ilmaisee, että pistorasia on aktivoitu.
 - ▶ Oranssi LED-merkkivalo ilmaisee, että akun lataustaso on heikko.

6.4 Uppotäryttimen käyttö

- ▶ Liitetyn uppotäryttimen käyttämistä varten lue sen käyttöohjeet.

6.5 Pistorasian deaktivointi

Kun lopetat uppotäryttimen käytön, deaktivoi aina myös **NCV 10-22:n** pistorasia.

- ▶ Katkaise energiansyöttö pistorasiaan deaktivoimalla käyttökytkin.
 - ▶ Kaikki LED-merkkivalot sammuvat.



NCV 10-22:n pistorasia deaktivoituu automaattisesti, jos sitä ei ole käytetty 30 minuuttiin.

7 Huolto, hoito ja kunnossapito



VAARA

Loukkaantumisvaara jos akku paikallaan !

- ▶ Irrota akku aina ennen hoito- ja kunnostustöitä!

Tuotteen hoito

- Puhdista pinttynyt liika varovasti.
- Jos tuotteessa on jäähdytysilmarao, puhdista ne varovasti kuivalla ja pehmeällä harjalla.
- Puhdista kotelon pinnat vain kevyesti kostutetulla kankaalla. Älä käytä silikonia sisältäviä hoitoaineita, sillä ne saattavat vaurioittaa muoviosia.
- Käytä tuotteen liittimien puhdistamiseen vain puhdasta ja kuivaa kangaspalaa.

Litiumioniakkujen hoito

- Älä koskaan käytä akkua, jos sen jäähdytysilmarao ovat tukkeutuneet. Puhdista jäähdytysilmarao varovasti kuivalla, pehmeällä harjalla.
- Vältä altistamasta akkua tarpeettomasti pölylle tai lialle. Älä koskaan altista akkua suurelle kosteudelle (esimerkiksi upota veteen tai jätä sateeseen).
- Jos akku on pahoin kastunut, käsittele sitä kuin vaurioitunutta akkua. Eristä akku palamattomasta materiaalista valmistettuun astiaan ja ota yhteys **Hilti**-huoltoon.
- Pidä akku öljyttömänä ja rasvattomana. Älä anna pölyn ja lian kertyä akun pintaan. Puhdista akku kuivalla, pehmeällä harjalla tai puhtaalla, kuivalla kankaalla. Älä käytä silikonia sisältäviä hoitoaineita, sillä ne saattavat vaurioittaa muoviosia.
 - Älä kosketa akun liittimiä äläkä poista akun liittimiin tehtaalla laitettua rasvaa.
- Puhdista kotelon pinnat vain kevyesti kostutetulla kankaalla. Älä käytä silikonia sisältäviä hoitoaineita, sillä ne saattavat vaurioittaa muoviosia.

Kunnossapito

- Tarkasta säännöllisin välein kaikkien näkyvien osien mahdolliset vauriot ja käyttöelementtien moitteeton toiminta.
- Jos havaitset vaurioita ja/tai toimintahäiriöitä, älä käytä tuotetta. Korjauta tuote viipymättä **Hilti**-huollossa.
- Hoito- ja kunnostustöiden jälkeen kiinnitä kaikki suojalaitteet takaisin ja tarkasta niiden moitteeton toiminta.



Käyttöturvallisuuden varmistamiseksi käytä vain alkuperäisiä varaosia ja käyttömateriaaleja. **Hiltin** tälle tuotteelle hyväksymiä varaosia, kulutusmateriaaleja ja lisävarusteita löydät **Hilti Store** -liikkeestä tai osoitteesta: www.hilti.group



8 Akkukäyttöisten työkalujen ja akkujen kuljetus ja varastointi

Kuljettaminen

VAROITUS

Käynnistyminen vahingossa kuljetuksen aikana !

- ▶ Kuljeta tuotteesi aina akku irrotettuna!
- ▶ Irrota akku/akut.
- ▶ Älä koskaan kuljeta akkuja irrallaan muiden tavaroiden joukossa. Akut on suojattava kuljetuksen ajaksi kovilta iskuilta ja värinäiltä, ja ne on eristettävä kaikenlaisista sähköä johtavista materiaaleista ja muista akuista, jotta niiden navat eivät pääse kosketuksiin muiden akkujen napojen kanssa. Seurauksena saattaisi olla oikosulku. **Noudata maakohtaisia akkujen kuljetusmääryksiä.**
- ▶ Akkuja ei saa koskaan lähettää postitse. Käännä kuljetusyrityksen puoleen, kun haluat lähettää vauriottomia akkuja.
- ▶ Tarkasta tuotteen ja akun mahdolliset vauriot aina ennen käyttöä sekä ennen pitkää kuljetusta ja sen jälkeen.

Varastointi

VAARA

Viallinen tai vuotava akku voi aiheuttaa vaurioita !

- ▶ Varastoi tuotteesi aina akku irrotettuna!
- ▶ Varastoi tuote ja akut viileässä ja kuivassa paikassa. Ota teknisissä tiedoissa annetut lämpötilarajat huomioon.
- ▶ Akkuja ei saa säilyttää laturissa. Irrota akku laturista aina latauksen päätyttyä.
- ▶ Älä koskaan varastoi akkuja auringonpaisteessa, lämmönlähteen päällä tai ikkunan vieressä.
- ▶ Varastoi tuote ja akut lasten ja asiattomien henkilöiden ulottumattomissa.
- ▶ Tarkasta tuotteen ja akun mahdolliset vauriot aina ennen käyttöä sekä ennen pitkää varastointia ja sen jälkeen.

9 Apua häiriötilanteisiin

Kaikissa häiriötilanteissa tarkkaile lataustilan ja vikojen näytön merkkivaloja. Ks. kappale **Litiumioniakun merkkivalot**.

Häiriöissä, joita ei ole kuvattu tässä taulukossa tai joita et itse pysty poistamaan, ota yhteys **Hilti**-huoltoon.

Häiriö	Mahdollinen syy	Ratkaisu
Akku ei lukitu paikalleen selvästi naksauttaen.	Akun salpanokka likaantunut.	▶ Puhdista salpanokka ja kiinnitä akku uudelleen paikalleen.
Tuotetta ei saa kytkettyä päälle.	Akku tyhjentynyt.	▶ Vaihda akku ja lataa tyhjentynyt akku.
	Akku ei kunnolla kiinni.	▶ Kiinnitä akut siten, että ne kuultavasti lukittuvat paikoilleen.

10 Hävittäminen

VAARA

Määräystenvastaisten hävittäminen aiheuttaa loukkaantumisvaaran! Ulos vuotavat kaasut tai nesteet vaarantavat terveyden.

- ▶ Älä lähetä vaurioituneita akkuja!
- ▶ Peitä liitännät sähköä johtamattomalla materiaaalilla oikosulkujen välttämiseksi.
- ▶ Hävitä akut siten, etteivät ne voi joutua lasten käsiin.
- ▶ Hävitä akku viemällä se **Hilti Store**-liikkeeseen tai käännä vastuullisen jätteenkäsittely-yrityksen puoleen.

Hilti-tuotteet on pääosin valmistettu kierrätyskelteisistä materiaaleista. Kierrätyksen edellytys on materiaalien asianmukainen lajittelu. Useissa maissa **Hilti** ottaa vanhat koneet ja laitteet vastaan kierrästyä ja hävitystä varten. Lisätietoja saat **Hilti**-huollosta tai -edustajalta.



- ▶ Älä hävitä sähkötyökaluja, elektronisia laitteita ja akkuja tavallisen sekajätteen mukana!



11 Valmistajan myöntämä takuu

- ▶ Jos sinulla on takuuehtoihin liittyviä kysymyksiä, ota yhteys paikalliseen **Hilti**-edustajaan.

12 Lisätietoja

Lisätietoa käytöstä, tekniikasta, ympäristöstä ja kierrätyksestä saat seuraavasta linkistä: qr.hilti.com/manual/?id=2370140&id=2370142

Tämä linkki on myös QR-koodina käyttöohjeen lopussa.

Originaalkasutusjuhend

1 Andmed kasutusjuhendi kohta

1.1 Käesoleva käsitemisjuhendi kohta

- **Hoiatus!** Enne toote kasutamist veenduge, et olete tootele lisatud kasutusjuhendi, sealhulgas juhised, ohutus- ja hoiatusviited, joonised ja spetsifikatsioonid, läbi lugenud ja sellest aru saanud. Tutvuge eriti kõigi juhiste, ohutus- ja hoiatusviidete, jooniste, spetsifikatsioonide ning komponentide ja funktsioonidega. Selle eiramisel esineb elektrilöögi, tulekahju ja/või raskete vigastuste oht. Hoidke kasutusjuhend koos kõigi juhiste, ohutus- ja hoiatusviidetega hilisemaks kasutamiseks alles.
- **HILTI** tooted on ette nähtud professionaalsele kasutajale ja neid tohivad käsitseda, hooldada ja korras hoida ainult volitatud ja asjaomase väljaõppega isikud. Nimetatud personal peab olema teadlik kõikidest kaasnevatest ohtudest. Seade ja sellega ühendatavad abivahendid võivad osutada ohtlikuks, kui neid ei kasutata nõuetekohaselt või kui nendega töötab vastava väljaõppeta isik.
- Lisatud kasutusjuhend vastab tehnika käesolevale tasemele trükki andmise ajal. Uusima versiooni leiате alati veebist Hilti toote leheküljelt. Järgige selleks sümboliga tähistatud linki või QR-koodi käesolevas kasutusjuhendis.
- Andke toode teistele edasi ainult koos käesoleva kasutusjuhendiga!

1.2 Märkide selgitus

1.2.1 Hoiatused

Hoiatused annavad märku toote kasutamisel tekkivatest ohtudest. Kasutatakse järgmisi märksõnu:

OHT

OHT !

- ▶ Võimalikud ohtlikud olukorrad, mis võivad põhjustada kasutaja raskeid kehavigastusi või hukkamist.

HOIATUS

HOIATUS !

- ▶ Võimalik ohtlik olukord, mis võib põhjustada kasutaja raskeid kehavigastusi või hukkamist.

ETTEVAATUST

ETTEVAATUST !

- ▶ Võimalikud ohtlikud olukorrad, mis võivad põhjustada kehavigastusi või varalist kahju.

1.2.2 Sümbolid kasutusjuhendis

Käesolevas kasutusjuhendis kasutatakse järgmisi sümboleid:

	Järgige kasutusjuhendit
	Soovitusi seadme kasutamiseks ja muu kasulik teave
	Taaskasutatavate materjalide käsitlemine



	Elektrilisi tööriistu ja akusid ei tohi visata olmejäätmete hulka
	Hilti Li-Ion-aku
	Hilti Laadimisseade

1.2.3 Joonistel kasutatud sümbolid

Joonistel kasutatakse järgmisi sümboleid.

2	Numbrid viitavad vastavatele joonistele kasutusjuhendi juhendi alguses.
3	Numbrid joonistel tähistavad tähtsaid toiminguid või toimingute jaoks tähtsaid detaile. Tekstis tõstetakse need toimingud või detailid vastava numbriga abil esile, näiteks (3) .
11	Positsiooninumbreid kasutatakse joonisel Ülevaade ja need viitavad selgituste numbritele toote ülevaates .
	See märk näitab, et toote käsitlemisel tuleb olla eriti tähelepanelik.

1.3 Tootepõhised sümbolid

1.3.1 Sümbolid toote peal

Tootel võib kasutada järgmisi sümboleid:

	Toode toetab NFC-tehnoloogiat, mis ühildub iOS- ja Android-platvormidega.
Li-Ion	Liitumioonaku
	Ärge kasutage akut kunagi lõõgiriistana.
	Ärge laske akul kunagi maha kukkuda. Ärge kasutage akut, mis on saanud löögi või on muul moel kahjustada saanud.

1.4 Tooteinfo

HILTI tooted on ette nähtud professionaalsele kasutajale ja neid tohivad käsitseda, hooldada ja korras hoida ainult volitatud ja asjaomase väljaõppega isikud. Nimetatud personal peab olema teadlik kõikidest kaasnevatest ohtudest. Seade ja sellega ühendatavad abivahendid võivad osutada ohtlikuks, kui neid ei kasutata nõuetekohaselt või kui nendega töötab vastava väljaõppeta isik.

Tüübitähis ja seerianumber on tüübisildil.

- Kandke seerianumber järgmise tabelisse. Andmeid toote kohta vajate meie esindusele või hooldekeskusele päringute esitamisel.

Toote andmed

Seljakott	NCV 10-22
Põlvkond	01
Seerianumber	

1.5 Vastavusdeklaratsioon

Seadme tootja kinnitab ainuvastutajana, et käesolevas kasutusjuhendis kirjeldatud seade vastab kehtivate õigusaktide nõuetele ja kehtivatele standarditele. Vastavusdeklaratsiooni koopia leiab käesoleva kasutusjuhendi lõpust.

Tehnilised dokumendid on saadaval:

Hilti Entwicklungsgesellschaft mbH | Zulassung Geräte | Hiltistraße 6 | 86916 Kaufering, DE



2 Ohutus

2.1 Ohutusjuhised

⚠ HOIATUS! Lugege kõiki selle elektritööriista juurde kuuluvaid ohutusjuhiseid, nõuandeid, jooniseid ja tehnilisi andmeid! Järgmiste juhiste eiramise tagajärg võib olla elektrilöökk, tulekahju ja/või raske vigastused.

Hoidke kõik ohutusnõuded ja juhised edaspidiseks kasutamiseks alles.

- ▶ Kasutage seadet ja lisatarvikuid ainult siis, kui nende tehniline seisukord on veatu.
- ▶ Seadet ei tohi mingil viisil muuta ega ümber ehitada.
- ▶ Mahakukkuvatest tööriistadest või tarvikutest tingitud vigastusohu. Enne töö alustamist veenduge, et aku ja paigaldatud tarvik on kindlalt fikseeritud.
- ▶ Olge tähelepanelik, jälgige, mida teete, ja toimige elektrilise tööriistaga töötades kaalutletult. Ärge töötage elektrilise tööriistaga, kui olete väsinud või alkoholi, narkootikumide või ravimite mõju all! Hetkeline tähelepanematus elektrilise tööriista kasutamisel võib põhjustada raskeid kehavigastusi ja varalist kahju.
- ▶ Kasutage toodet ja lisatarvikuid ainult vastavalt käesolevatele juhistele. Arvestage seejuures töötingimuste ja tehtava töö iseloomuga. Elektrilise tööriista kasutamine otstarbel, milleks see ei ole ette nähtud, võib põhjustada ohtlikke olukordi.
- ▶ Hooldage elektrilisi tööriistu korralikult. Kontrollige, kas seadme liikuvad detailid töötavad veatult ega kiilu kiini. Veenduge, et seadme detailid ei ole murdunud või kahjustatud määral, mis mõjutab seadme töökindlust. Laske kahjustatud osad enne seadme kasutamist parandada. Ebapiisavalt hooldatud elektrilised tööriistad põhjustavad tööõnnetusi.
- ▶ **Ärge laske tekkida petlikul turvatundel ega eirake elektrilise tööriista ohutusreegleid isegi siis, kui olete pärast paljukordset kasutamist elektrilise tööriistaga harjunud.** Tähelepanematu käsitsemise võib sekundi mürdosa jooksul kaasa tuua raskeid vigastusi.
- ▶ Ärge sukeldage toodet vette ega muusse vedelikku.

Akuga tööriista kasutamine ja käsitsemine

- ▶ **Laadige akusid ainult tootja soovitatud laadimiseseadmega.** Kui teatud tüüpi aku laadimiseks ettenähtud laadimiseadet kasutatakse teist tüüpi akude laadimiseks, tekib tulekahjuoht.
- ▶ **Kasutage elektrilistes tööriistades ainult ettenähtud akusid.** Teist tüüpi akude kasutamine võib põhjustada vigastus- ja põlenguohu.
- ▶ **Hoidke akud kasutusvälisel ajal eemal kirjaklambritest, müntidest, võtmetest, naeltest, kruvidest ja teistest väikestest metallasemetest, mis võivad aku kontaktid omavahel ühendada.** Aku kontaktide vahel tekkiv lühis võib põhjustada põletuse või tulekahju.
- ▶ **Väärkasutuse korral võib akuvedelik akust välja voolata. Vältige sellega kokkupuudet. Juhusliku kokkupuute korral loputage kahjustatud kohta veega. Kui vedelik satub silma, otsige ka arstiabi.** Väljavoolav akuvedelik võib põhjustada nahaärritust või põletust.
- ▶ **Ärge kasutage kahjustatud ega modifitseeritud akut!** Kahjustatud või modifitseeritud akud võivad käituda ettenägematult ja põhjustada tulekahju, plahvatusi või vigastusohu.
- ▶ **Ärge laske akul kokku puutuda tule ega liiga kõrge temperatuuriga!** Tuli või temperatuur üle 130 °C (265 °F) võivad tekitada plahvatusi.
- ▶ **Järgige kõiki laadimisjuhiseid ja ärge kunagi laadige akut ega akutööriista väljaspool kasutusjuhendis näidatud temperatuurivahemikku.** Väär laadimine või laadimine väljaspool lubatud temperatuurivahemikku võib kahjustada akut ja suurendada tuleohtu.

2.2 Akude hoolikas käsitsemine ja kasutamine

- ▶ **Järgige liitiumioonakude ohutu käsitsemise ja kasutamise kohta esitatud juhiseid.** Eiramine võib tekitada nahaärrituse, söövituse, keemilise põletuse, tulekahju ja/või põhjustada plahvatusi.
- ▶ Kasutage akusid ainult siis, kui nende tehniline seisukord on veatu.
- ▶ Käsitlege akusid ettevaatlikult, et vältida kahjustusi ja tervist kahjustavate vedelike lekkimist!
- ▶ Akusid ei tohi mingil juhul muuta ega ümber ehitada!
- ▶ Akusid ei tohi lahti võtta, muljuda, kuumutada üle 80 °C (176 °F) ega ära põletada.
- ▶ Ärge kasutage ega laadige akusid, mis on saanud löögi või muul viisil kahjustada. Kontrollige regulaarselt akusid kahjustuste suhtes.
- ▶ Ärge kasutage kunagi ringlusse võetud või remonditud akusid.
- ▶ Ärge kunagi kasutage akut või akutoitega elektritööriista lõõgitarvikuna.
- ▶ Ärge jätke akut kunagi otsese päikesekiirguse, kuumuse, sädemete või lahtise leegi kätte. See võib põhjustada plahvatusi.



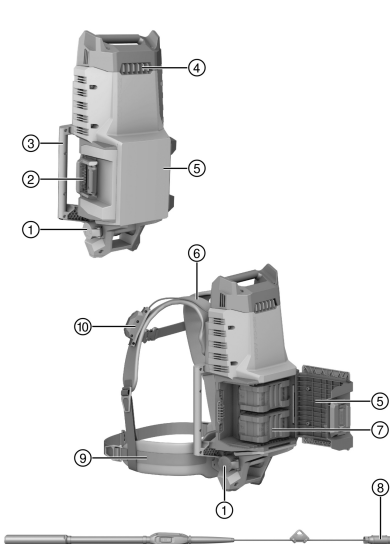
- ▶ Ärge puudutage aku pooluseid sõrmede, tööriistade, ehete või muude metallesemetega. See võib kahjustada, samuti tekitada varalist kahju ja kehavigastusi.
- ▶ Hoidke akusid eemal vihmast, niiskusest ja vedelikest. Sissetungiv niiskus võib põhjustada lühist, elektrilööki, põletust, tulekahju ja plahvatust.
- ▶ Kasutage üksnes aku tüübile vastavaid laadijaid ja elektritööriistu. Juhinduge asjaomastes kasutusjuhendites esitatud andmetest.
- ▶ Ärge kasutage ega hoiustage akut plahvatusohtlikus keskkonnas.
- ▶ Kui aku on nii kuum, et seda ei saa puudutada, võib aku olla defektnine. Asetage aku nähtavasse tulekindlasse kohta, mis on süttivatest materjalidest piisavaltkaugel. Laske akul jahtuda. Kui aku on ühe tunni pärast ikka veel liiga kuum, et seda puudutada saaks, siis on aku defektnine. Pöörduge **Hilti** hooldekeskusesse või lugege läbi dokument "Juhised **Hilti** liitiumioonakude ohutu käsitsemise ja kasutamise kohta".



Järgige liitiumioonakude transpordi, ladustamise ja käsitsemise kohta esitatud erijuhiseid. 50 Lugege läbi **Hilti** liitiumioonakude ohutu käsitsemise ja kasutamise juhised, mis avanevad käesoleva kasutusjuhendi lõpus oleva QR-koodi skannimisel.

3 Kirjeldus

3.1 Toote ülevaade



- ① Pistikupesa
- ② Akukambri kinnitusklamber
- ③ Käepide
- ④ Ventilatsioonivad
- ⑤ Akukambri kaas
- ⑥ Ölarihmad
- ⑦ aku
- ⑧ Sisevibraator
- ⑨ Võõrihm
- ⑩ Juhtlüüti

3.2 Sihipärane kasutamine

Kirjeldatud toode on seljal kantav vooluallikas. Vooluallikas on ette nähtud **Hilti** Nuron B 22 seeria liitiumioonakude kasutamiseks energiaallikana. Vooluallikas on ette nähtud kasutamiseks ainult koos sisemise mootoriga sisevibraatoritega.

- Kasutage toote jaoks ainult **Hilti** Nuron B 22 seeria liitiumioonakusid. Optimaalse võimsuse tagamiseks soovib **Hilti** kasutada toodet tabelis loetletud akudega.
- Kasutage akude laadimiseks ainult siinses tabelis toodud **Hilti** laadijaid.

3.3 Tarnekomplekt

Kantav vooluallikas, kasutusjuhend

Muud süsteemitooded leiata müügiesindusest **Hilti Store** või veebisaidilt: www.hilti.group



3.4 Liitumioonaku kuvamine

Hilti Nuron liitumioonakud saavad näidata laetuse astet, anda veateateid ja näidata aku olekut.

3.4.1 Laetuse astme ja veateadete kuvamine

HOIATUS

Vigastuste oht allakukkuva aku tõttu!

- ▶ Kui aku on paigaldatud, tehke vabastuslukule vajutamisega kindlaks, et aku on kasutatavas tootesse õigesti sisse pandud.

Selleks et kuvada ühte järgmistest näitudest, vajutage korraks aku vabastusnupule.

Laetuse astet ning võimalikke tõrkeid kuvatakse pidevalt seni, kuni ühendatud seade on sisse lülitatud.

Seisund	Tähendus
Neli (4) LED-tuld põlevad pideva rohelise tulega	Laetuse aste: 100 % kuni 71 %
Kolm (3) LED-tuld põlevad pideva rohelise tulega	Laetuse aste: 70 % kuni 51 %
Kaks (2) LED-tuld põlevad pideva rohelise tulega	Laetuse aste: 50 % kuni 26 %
Üks (1) LED-tuli põleb pideva rohelise tulega	Laetuse aste: 25 % kuni 10 %
Üks (1) LED-tuli vilgub aeglaselt rohelise tulega	Laetuse aste: < 10 %
Üks (1) LED-tuli vilgub aeglaselt rohelise tulega	Liitumioonaku on täielikult tühjenenud. Laadige akut. Kui LED-tuled pärast laadimist ikka veel kiiresti vilguvad, pöörduge Hilti hooldekeskusse.
Üks (1) LED-tuli vilgub kiiresti kollase tulega	Liitumioonaku ja sellega ühendatud seade on üle koormatud, liiga külmad või liiga kuumad või on tegemist muu veaga. Viige seade ja aku soovitatud töötemperatuurile ja ärge avaldage tootele ülekoormust. Kui teade ei kao, pöörduge Hilti hooldekeskusse.
Üks (1) LED-tuli põleb kollase tulega	Liitumioonaku ja sellega seotud toode ei ühildu. Palun pöörduge Hilti hooldekeskusse.
Üks (1) LED-tuli vilgub kiiresti punase tulega	Liitumioonaku on lukustatud ja seda ei saa kasutada. Palun pöörduge Hilti hooldekeskusse.

3.4.2 Akude oleku kuvamine

Aku seisundi teadasaamiseks hoidke vabastusklahvi all kauem kui kolm sekundit. Süsteem ei tuvasta võimalikku aku tõrget, mis on tingitud valest käsitsemisest, nt kukkumisest, torgetest, suurest kuumusest vm.

Seisund	Tähendus
Kõik LED-tuled süttivad pideva tulena ja seejärel põleb (1) LED-tuli pidevalt rohelise tulega.	Akut võib jätkuvalt kasutada.
Kõik LED-tuled süttivad pideva tulena (1) ja LED-tuli vilgub kiiresti kollase tulega.	Aku oleku kohta esitatud päringut ei saanud lõpetada. Korra ke protsessi või pöörduge Hilti hooldekeskusse.
Kõik LED-tuled süttivad pideva tulena ja seejärel põleb (1) ja LED-tuli pideva punase tulega.	Kui ühendatud seadet saab jätkuvalt kasutada, on aku allesjäänud mahtuvus alla 50%. Kui ühendatud seadet ei saa enam kasutada, on aku kasutusressurs ammendunud ja aku tuleb vahetada. Palun pöörduge Hilti hooldekeskusse.

4 Tehnilised andmed

Süsteemi väljundvõimsus	42,4 V, 3PΔ, 200 Hz ~, 1000 W
Kaitseaste	IP X4
Ümbritseva keskkonna temperatuur töötamise ajal	-17 °C ... 40 °C
Hoiutemperatuur	-20 °C ... 70 °C



4.1 Aku

Aku tööpinge	21,6 V
Aku kaal	Vt kasutusjuhendi lõpp
Ümbritseva keskkonna temperatuur töötamise ajal	-17 °C ... 60 °C
Hoiutemperatuur	-20 °C ... 40 °C
Aku temperatuur laadimise alguses	-10 °C ... 45 °C

5 Töö ettevalmistamine

HOIATUS

Vigastuste oht soovimatu käivitumise tõttu!

- ▶ Enne aku paigaldamist veenduge, et selle juurde kuuluv seade on välja lülitatud.
- ▶ Enne seadme seadistamist ja tarvikute vahetamist eemaldage seadmest aku.

Järgige kasutusjuhendis esitatud ja tootele märgitud ohutusnõudeid ja hoiatusi.

5.1 Aku laadimine

1. Enne laadimist lugege laadimiseadme kasutusjuhendit.
2. Veenduge, et aku ja laadimiseadme kontaktid on puhtad ja kuivad.
3. Laadige akut selleks ettenähtud laadimiseadmega. 46

5.2 Aku paigaldamine

HOIATUS

Vigastuste oht lühise või allakukkunud aku tõttu!

- ▶ Enne aku paigaldamist veenduge, et aku ja seadme kontaktidel ei ole võõrkehaid.
- ▶ Veenduge, et aku fikseerub alati korrektselt kohale.

1. Enne esmakordset kasutamist laadige aku täiesti täis.
2. Avage akukambri klapp.
3. Lükake aku seadmesse, kuni see kuuldavalt kohale fikseerub.
4. Kontrollige aku kindlat kinnitumist.
5. Korrake protsessi teise aku puhul.
6. Sulgege akukambri klapp.

5.3 Aku eemaldamine

1. Avage akukambri klapp.
2. Vajutage ühe aku vabastusnupule.
3. Tõmmake aku seadmest välja.
4. Korrake protsessi teise aku puhul.
5. Sulgege akukambri klapp.

6 Käsitsemine

Järgige kasutusjuhendis esitatud ja tootele märgitud ohutusnõudeid ja hoiatusi.

6.1 Kantava vooluallika selga võtmine **2, 3, 4, 5, 6, 7**

1. Pange toode seljakoti kombel selga. Viige käsivarred läbi õlarihmade ja paigaldage õlarihmad oma õlgade peale.
2. Sulgege vaagnavöö klamber.
3. Kohandage vöörihm sobivaks.
 - ▶ Vöörihma lödvendamiseks tõmmake pannaldest.
 - ▶ Tõmmake mõlemat vöörihma otsa ette, et neid pingutada.
4. Sulgege rinnakurihma klamber.



5. Kohandage rinnakurihm sobivaks.
6. Kohandage õlarihmad sobivaks.
 - ▶ Õlarihmade lödvendamiseks tõmmake pannaldest.
 - ▶ Tõmmake õlarihmu alla, et õlarihmu pingutada.

6.2 Sisevibraatori ühendamine

1. Avage pistikupesa kate.
2. Ühendage sisevibraatori võrgupistik pistikupessa.
3. Riputage tõmbejõu vähendaja vaagnavöö külge.

6.3 Pistikupesa aktiveerimine

- ▶ Aktiveerige pistikupesa energiarustuse loomiseks juhtlüli.
 - ▶ Roheline LED-tuli annab märku, et pistikupesa on aktiveeritud.
 - ▶ Oranž LED-tuli annab märku aku nõrgast laetustasemest.

6.4 Sisevibraatori käsitsemine

- ▶ Ühendatud sisevibraatori käsitsemiseks lugege selle kasutusjuhendit.

6.5 Pistikupesa inaktiveerimine

Kui ka lõpetate sisevibraatoriga töötamise, inaktiveerige alati ka **NCV 10-22** pistikupesa.

- ▶ Inaktiveerige pistikupesa energiarustuse välja lülitamiseks juhtlüli.
 - ▶ LED-tuled kustuvad.



NCV 10-22 pistikupessa inaktiveeritakse 30 minuti pikkuse mittekasutamise järel automaatselt.

7 Hooldus ja korrashoid



HOIATUS

Vigastuste oht paigaldatud aku korral !

- ▶ Enne mis tahes hooldus- ja korrashoiutöid eemaldage seadmest aku!

Toote hooldus

- Kõvasti kinni olev mustus eemaldage ettevaatlikult.
- Ventilatsiooniavad puhastage ettevaatlikult kuiva, pehme harjaga.
- Puhastage korpust ainult veidi niiske lapiga. Ärge kasutage silikooni sisaldavaid hooldusvahendeid, sest need võivad kahjustada seadme plastdetaile.
- Seadme kontaktide puhastamiseks kasutage puhast kuiva lappi.

Liitium-ioonakude hooldus

- Ärge kunagi kasutage akut, mille ventilatsiooniavad on ummistunud. Puhastage ventilatsiooniavasid ettevaatlikult kuiva, pehme harjaga.
- Kaitske akut tolmu ja mustuse eest. Ärge jätke akut kunagi suure niiskuse kätte (ärge asetage seda vette ja ärge jätke vihma kätte).
Kui aku on märjaks saanud, siis käsitlege seda nii, nagu oleks see kahjustatud. Isoleerige aku tulekindlas anumus ja pöörduge **Hilti** hooldekeskusesse.
- Hoidke aku puhas õlist ja rasvast. Vältige akusse asjatult tolmu ja mustuse kogunemist. Puhastage akut kuiva pehme harjaga või puhta kuiva lapiga. Ärge kasutage silikooni sisaldavaid hooldusvahendeid, sest need võivad kahjustada seadme plastdetaile.
Ärge puudutage aku kontakte ja ärge eemaldage kontaktidelt tehases peale kantud mäaret.
- Puhastage korpust ainult veidi niiske lapiga. Ärge kasutage silikooni sisaldavaid hooldusvahendeid, sest need võivad kahjustada seadme plastdetaile.

Korrashoid

- Kontrollige regulaarselt, kas kõik nähtavad osad on terved ja juhtelemendid töötavad veatult.
- Ärge kasutage seadet kahjustuste ja/või tõrgete korral. Laske seade kohe parandada **Hilti** hooldekeskuses.



- Pärast hooldus- ja korrashoiutöid paigaldage kõik kaitseseadised ja kontrollige, kas need töötavad veatult.



Ohutu töö tagamiseks kasutage ainult originaalvaruosi ja -materjale. **Hilti** heakskiidetud varuosad, materjalid ja lisatarvikud oma tootele leiате müügiesindusest **Hilti Store** või veebilehelt: www.hilti.group

8 Akutööriistade ja akude transport ja ladustamine

Transport

ETTEVAATUST

Soovimatu käivitamine transportimisel !

- ▶ Transportige tooteid ilma akudeta!
- ▶ Eemaldage aku/akud.
- ▶ Ärge kunagi transportige akusid lahtiselt. Enne aku transportimist tuleb aku pakendada nii, et see oleks kaitstud löökide ja vibratsiooni eest ning isoleeritud kõikidest elektrit juhtivatest materjalidest või teistest akudest, et vältida kokkupuudet teise aku poolustega ning lühise teket. **Järgige akude transpordi suhtes kehtivaid riigiseseid nõudeid.**
- ▶ Akusid ei tohi saata posti teel. Kahjustamata akude saatmiseks pöörduge logistikaettevõtja poole.
- ▶ Iga kord enne kasutamist ning enne ja pärast pikemat transporti või hoiustamist kontrollige seadet ja akusid vigastuste suhtes.

Hoiustamine

HOIATUS

Defektsed akud või lekkivad akud võivad tekitada vigastusi !

- ▶ Kasutusvälisel ajal eemaldage seadmest aku!
- ▶ Hoidke seadet ja akusid jahedas ja kuivas kohas. Pidage kinni tehniistes andmetes toodud temperatuuripiirangutest.
- ▶ Ärge hoidke akusid laadimisseadmes. Pärast laadimist eemaldage aku laadimisseadmest.
- ▶ Ärge hoidke akusid päikese käes, radiaatori peal või klaasi taga.
- ▶ Hoidke seadet ja akusid lastele ja kõrvalistele isikutele ligipääsmatus kohas.
- ▶ Iga kord enne kasutamist ning enne ja pärast pikemaajalist seismist kontrollige seadet ja akusid kahjustuste suhtes.

9 Rikkeabi

Kõikide tõrgete puhul pöörake tähelepanu aku täitetaseme ja tõrgete indikaatoritele. Vt ptk **Li-Ion-aku laetuse näidud**.

Kui peaks esinema tõrge, mida ei ole järgmises tabelis nimetatud või mida Te ei suuda ise kõrvaldada, pöörduge **Hilti** teeninduskeskusesse.

Tõrge	Võimalik põhjus	Lahendus
Aku ei fikseeru kuuldava klõpsatusega.	Aku fiksaatorid on määrdunud.	▶ Puhastage fiksaatorid ja paigaldage aku uuesti.
Seadet ei ole võimalik sisse lülitada.	Aku on tühi.	▶ Vahetage aku välja ja laadige tühi aku täis.
	Aku ei ole korrektselt sisestatud.	▶ Ühendage akud kuuldava klõpsuga.

10 Utiliseerimine

HOIATUS

Valest käitlemisest tingitud vigastuste oht! Eralduvad gaasid või vedelikud on terviseohtlikud.

- ▶ Ärge saatke kahjustada saanud akusid posti teel!
- ▶ Lühise vältimiseks katke akukontaktid elektrit mittejuhtiva materjaliga.
- ▶ Käidelge akusid nii, et need ei satu laste kätte.
- ▶ Utiliseerige aku **Hilti Store** esinduses või pöörduge asjaomase jäätmekäitlusettevõtte poole.



Enamik **Hilti** seadmete valmistamisel kasutatud materjalidest on taaskasutatavad. Taaskasutuse eelduseks on materjalide korralik sorteerimine. Paljudes riikides kogub **Hilti** kasutusressursi ammendanud seadmed kokku. Lisateavet saate **Hilti** müügiesindusest.



- ▶ Ärge visake kasutusressursi ammendanud elektrilisi tööriistu, elektroonikaseadmeid ja akusid olmejäätmete hulka!

11 Tootja garantii

- ▶ Garantiitingimusi puudutavates küsimustes pöörduge oma kohaliku **Hilti** partneri poole.

12 Lisateave

Lisateavet käsitemise, tehnika, keskkonna ja übertöötuse kohta leiate lingilt: qr.hilti.com/manual/?id=2370140&id=2370142

Selle lingi leiate ka kasutusjuhendi lõpust QR-koodina.

Originaaläe lietošanas instrukcija

1 Informācija par lietošanas instrukciju

1.1 Par šo lietošanas instrukciju

- **Brīdinājums!** Pirms sākt izstrādājuma lietošanu, pārlicinieties, ka ir izlasīta un saprasta izstrādājumam pievienotā lietošanas instrukcija, ieskaitot pamācības, drošības norādījumus un brīdinājumus, attēlus un specifikācijas. Īpaši rūpīgi iepazīstieties ar pamācībām, drošības norādījumiem un brīdinājumiem, attēliem un specifikācijām, kā arī sastāvdaļām un funkcijām. Neievērošanas gadījumā pastāv elektriskās strāvas trieciena, aizdegšanās un/vai smagu traumu risks. Rūpīgi uzglabāiet lietošanas instrukciju, ieskaitot visas pamācības, drošības norādījumus un brīdinājumus, turpmākai izmantošanai.
- **HILTI** izstrādājumi ir paredzēti profesionāliem lietotājiem, un to darbināšanu, apkopi un tehniskā stāvokļa uzturēšanu drīkst veikt tikai kvalificēts, atbilstīgi apmācīts personāls. Personālam ir jābūt labi informētam par iespējamajiem riskiem, kas var rasties darba laikā. Izstrādājums un tā papildaprīkojums var radīt bīstamas situācijas, ja to uztic neprofesionālam personālam vai nelieto atbilstīgi nosacījumiem.
- Pievienotā lietošanas instrukcija atbilst aktuālajam tehnikas attīstības līmenim tās sagatavošanas brīdī.. Aktuālā versija vienmēr ir pieejama tiešsaistē, Hilti izstrādājumu lapā. Lai tai piekļūtu izmantojiet šajā lietošanas instrukcijā iekļauto saiti vai kvadrāt kodu, kas apzīmēts ar simbolu
- Vienmēr pievienojiet lietošanas instrukciju izstrādājumam, ja tas tiek nodots citai personai.

1.2 Apzīmējumu skaidrojums

1.2.1 Brīdinājumi

Brīdinājumi pievērš uzmanību bīstamībai, kas pastāv, strādājot ar izstrādājumu. Tiek lietoti šādi signālvārdi:



BĪSTAMI!

BĪSTAMI! !

- ▶ Pievērš uzmanību draudošām briesmām, kas var izraisīt smagus miesas bojājumus vai nāvi.



BRĪDINĀJUMS!

BRĪDINĀJUMS! !

- ▶ Pievērš uzmanību iespējamam apdraudējumam, kas var izraisīt smagas traumas vai pat nāvi.



IEVĒROT PIESARDZĪBU!

UZMANĪBU! !

- ▶ Norāda uz iespējami bīstamām situācijām, kas var izraisīt traumas vai materiālos zaudējumus.

1.2.2 Simboli lietošanas instrukcijā

Šajā lietošanas instrukcijā tiek izmantoti šādi simboli:



2370142

Latviešu

51

	Ievērojiet lietošanas instrukciju
	Norādījumi par lietošanu un cita noderīga informācija
	Rīcība ar otrreiz pārstrādājamiem materiāliem
	Neizmetiet elektroiekārtas un akumulatorus sadzīves atkritumos.
	Hilti Litija jonu akumulators
	Hilti Lādētājs

1.2.3 Attēlos lietotie simboli

Attēlos tiek lietoti šādi simboli:

	Šie skaitļi norāda uz attiecīgajiem attēliem, kas atrodami šīs lietošanas instrukcijas sākumā.
3	Numerācija attēlos norāda uz svarīgām darbībām vai detaļām, kas ir svarīgas noteiktām darbībām. Tekstā šīs darbības vai detaļas ir izceltas, apzīmējot ar atbilstošiem numuriem, piemēram, (3) .
	Pozīciju numuri tiek lietoti attēlā Pārskats un norāda uz leģendas numuriem sadaļā Izstrādājuma pārskats .
	Šī simbola uzdevums ir pievērst īpašu uzmanību izstrādājuma lietošanas laikā.

1.3 Simboli atkarībā no izstrādājuma

1.3.1 Simboli uz izstrādājuma

Uz izstrādājuma var tikt lietoti šādi simboli:

	Izstrādājums atbalsta tehnoloģiju NFC, kas ir saderīga ar iOS un Android platformām.
Li-Ion	Litija jonu akumulators
	Nekādā gadījumā nelietojiet akumulatoru kā triecieninstrumentu.
	Sargājiet akumulatoru no kritieniem. Nelietojiet akumulatoru, ja tas ir bijis pakļauts triecienam vai tam ir radušies cita veida bojājumi.

1.4 Izstrādājuma informācija

HILTI izstrādājumi ir paredzēti profesionāliem lietotājiem, un to darbināšanu, apkopi un tehnikā stāvokļa uzturēšanu drīkst veikt tikai kvalificēts, atbilstīgi apmācīts personāls. Personālam ir jābūt labi informētam par iespējamajiem riskiem, kas var rasties darba laikā. Izstrādājums un tā papildaprīkojums var radīt bīstamas situācijas, ja to uztic neprofesionālam personālam vai nelieto atbilstīgi nosacījumiem.

Iekārtas tipa apzīmējums un sērijas numurs ir norādīti uz identifikācijas datu plāksnītes.

- Ierakstiet sērijas numuru zemāk redzamajā tabulā. Izstrādājuma dati jānorāda, vērsoties mūsu pārstāvniecībā vai servisā.

Izstrādājuma dati

Mugursoma	NCV 10-22
Paaudze	01
Sērijas Nr.	

1.5 Atbilstības deklarācija

Ražotājs, ņemoties pilnu atbildību, apliecina, ka šeit aprakstītais izstrādājums atbilst spēkā esošo tiesību aktu un standartu prasībām. Atbilstības deklarācijas attēls ir atrodams šīs dokumentācijas beigās.

Tehnisko dokumentāciju glabā:

Hilti Entwicklungsgesellschaft mbH | Zulassung Geräte | Hiltistraße 6 | 86916 Kaufering, DE



2 Drošība

2.1 Drošība

⚠ BRĪDINĀJUMS! Iepazīstieties ar visiem drošības norādījumiem, instrukcijām, attēliem un tehniskajiem parametriem, kas attiecas uz šo elektroiekārtu. Turpmāk izklāstīto instrukciju neievērošana var izraisīt elektrošoku, ugunsgrēku un/vai nopietnas traumas.

Saglabājiet visus drošības norādījumus un instrukcijas turpmākai lietošanai.

- ▶ Lietojiet izstrādājumu un tā papildaprīkojumu tikai tad, ja tas ir nevainojamā stāvoklī.
- ▶ Nekādā gadījumā nemēģiniet ietekmēt izstrādājuma vai tā papildaprīkojuma funkcijas vai to pārveidot.
- ▶ Traumu risks, ko rada krītoši instrumenti un/vai piederumi. Pirms darba sākšanas pārbaudiet, vai akumulators un uzmontētais papildaprīkojums ir kārtīgi nofiksēti.
- ▶ Strādājiet ar elektroiekārtu uzmanīgi, darba laikā saglabājiet paškontroli un rīkojieties saskaņā ar veselo saprātu. Ar elektroiekārtu nedrīkst strādāt personas, kas ir nogurušas vai atrodas narkotiku, alkohola vai medikamentu ietekmē. Mirklis neuzmanības, strādājot ar elektroiekārtu, var novest pie nopietnām traumām.
- ▶ Lietojiet izstrādājumu un papildaprīkojumu tikai saskaņā ar šiem norādījumiem. Ņemiet vērā arī konkrētos darba apstākļus un veicamā darba īpatnības. Elektroiekārtu lietošana citiem mērķiem, nekā to ir paredzējusi ražotājfirma, ir bīstama un var izraisīt neparedzamas sekas.
- ▶ Rūpīgi veiciet elektroiekārtu apkopi. Pārbaudiet, vai kustīgās daļas darbojas bez traucējumiem un neķeras un vai kāda no daļām nav salauzta vai bojāta un tādējādi netraucē elektroiekārtas nevainojamu darbību. Raugieties, lai pirms iekārtas lietošanas tiktu nomainītas vai saremontētas bojātās daļas. Daudzi nelaimes gadījumi notiek tāpēc, ka elektroiekārtām nav nodrošināta pareiza apkope.
- ▶ **Nezaudējiet modrību un neatkāpieties no elektroiekārtu lietošanas drošības noteikumu ievērošanas arī tad, ja lietojat attiecīgo elektroiekārtu bieži un kārtīgi to pārzināt.** Neuzmanība vienā sekundes daļā var novest pie smagām traumām.
- ▶ Neiegremdējiet izstrādājumu ūdenī vai citos šķidrumsos.

Ar akumulatoru darbināmas iekārtas lietošana un apkope

- ▶ **Akumulatora uzlādei jālieto tikai ražotāja ieteiktie lādētāji.** Noteikta veida akumulatoriem paredzēts lādētājs kļūst ugunsbīstams, ja to izmanto ar cita veida akumulatoriem.
- ▶ **Izmantojiet elektroiekārtas barošanai tikai tai paredzētos akumulatorus.** Cita tipa akumulatoru lietošana var izraisīt iekārtas un/vai akumulatora aizdegšanos.
- ▶ **Laikā, kad akumulators ir atvienots no iekārtas, nepieļaujiet tā kontaktu saskaršanos ar saspardēm, monētām, atslēgām, naglām, skrūvēm vai citiem nelieliem metāla priekšmetiem, kas varētu izraisīt īssavienojumu.** Ja starp akumulatora kontaktiem rodas īssavienojums, tas var sadegt vai kļūt par ugunsgrēka cēloni.
- ▶ **Nepareizi lietojot akumulatoru, no tā var izplūst šķidrums. Nepieļaujiet tā nokļūšanu uz ādas. Ja tas tomēr nejauši ir noticis, noskalojiet ar ūdeni. Ja šķidrums iekļūst acīs, izskalojiet acis un nekavējoties vērsieties pie ārsta.** No akumulatora izplūdušais šķidrums var izraisīt ādas kairinājumu vai apdegumus.
- ▶ **Nelietojiet bojātus vai modificētus akumulatorus.** Bojāti vai modificēti akumulatori var radīt neparedzamas situācijas un izraisīt ugunsgrēku, eksploziju vai traumas.
- ▶ **Nepakļaujiet akumulatoru uguns vai augstas temperatūras iedarbībai.** Uguns vai temperatūra virs 130 °C (265 °F) var izraisīt eksploziju.
- ▶ **Ievērojiet norādījumus par akumulatora lādēšanu un nekad nelādējiet akumulatoru vai ar akumulatoru darbināmo iekārtu ārpus lietošanas instrukcijā norādītā temperatūras diapazona.** Nepareiza lādēšana vai pieļaujamā temperatūras diapazona pārsniegšana var sabojāt akumulatoru un palielināt aizdegšanās risku.

2.2 Akumulatoru pareiza lietošana un apkope

- ▶ **Ievērojiet turpmāk izklāstītos drošības norādījumus, lai litija jonu akumulatoru lietošana neradītu apdraudējumu.** Norādījumu neievērošana var izraisīt ādas kairinājumu, smagas korozīvas traumas, ķīmiskos apdegumus, ugunsgrēku vai eksploziju.
- ▶ Lietojiet akumulatorus tikai tad, ja tie ir nevainojamā tehniskajā stāvoklī.
- ▶ Rīkojieties ar akumulatoriem uzmanīgi, lai pasargātu tos no bojājumiem un nepieļautu veselībai ļoti kaitīgu šķidrumu izplūdi!
- ▶ Nekādā gadījumā nedrīkst veikt akumulatoru pārveidi vai citas neatļautas manipulācijas!
- ▶ Akumulatorus nedrīkst izjaukt, saspiest, sakarsēt virs 80 °C (176 °F) vai sadedzināt.



- ▶ Nelietojiet un nemēģiniet uzlādēt akumulatorus, kas bijuši pakļauti triecieniem vai ir bojāti citā veidā. Regulāri pārbaudiet, vai akumulatoriem nav konstatējamas bojājumu pazīmes.
- ▶ Nekādā gadījumā nelietojiet atjaunotus vai remontētus akumulatorus.
- ▶ Nekādā gadījumā nelietojiet akumulatoru vai ar akumulatoru darbināmu elektroiekārtu kā instrumentu sišanai.
- ▶ Nekādā gadījumā nepakļaujiet akumulatorus tiešiem saules stariem, augstai temperatūrai, dzirkstelēm vai atklātai liesmai. Tas var izraisīt eksploziju.
- ▶ Nepieskarīties bateriju poliem ar pirkstiem vai instrumentiem un nepieļaujiet, ka tie nonāk saskarē ar rotaslietām vai citiem priekšmetiem, kam piemīt elektriskā vadītspēja. Tas var izraisīt akumulatoru bojājumus, kā arī materiālu kaitējumu un traumas.
- ▶ Sargājiet akumulatorus no lietus un mitruma un šķidrumiem. Mitruma iekļūšana var izraisīt īssavienojumu, elektrisko triecienu, apdegumus, ugunsgrēku un eksploziju.
- ▶ Lietojiet kopā ar akumulatoru tikai tā tipam paredzētos lādētājus un elektroiekārtas. Ievērojiet attiecīgo lietošanas instrukciju norādījumus.
- ▶ Nelietojiet un neuzglabājiet akumulatoru sprādzienbīstamā vidē.
- ▶ Ja akumulators kļūst pārāk karsts, iespējams, ka tas ir bojāts. Novietojiet akumulatoru labi pārdzamā, ugunsdrošā vietā, pietiekamā atstumā no degošiem materiāliem. Ļaujiet akumulatoram atdzist. Ja pēc stundas akumulators joprojām ir tik karsts, ka to ir grūti satvert, tas nozīmē, ka tas ir bojāts. Vērsieties servisā **Hilti** vai izlasiet dokumentu "Norādījumi par **Hilti** litija jonu akumulatoru drošību un lietošanu".

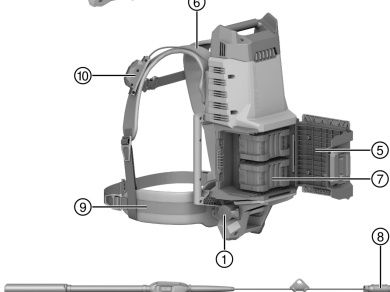
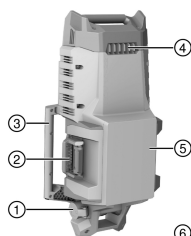


Ievērojiet īpašos norādījumus, kas attiecas uz litija jonu akumulatoru transportēšanu, uzglabāšanu un lietošanu. ➔ 58

Izlasiet Norādījumus par **Hilti** litija jonu akumulatoru drošību un lietošanu, kas ir pieejami, noskenējot QR kodu šīs lietošanas instrukcijas beigās.

3 Apraksts

3.1 Izstrādājuma pārskats 1



- ① Kontaktligzda
- ② Akumulatoru nodalījuma noslēgšanas skava
- ③ Rokturis
- ④ Ventilācijas atveres
- ⑤ Akumulatoru nodalījuma vāks
- ⑥ Plecu siksnas
- ⑦ Akumulators
- ⑧ Iegremdējama vibrobliete
- ⑨ Gurnu siksnas
- ⑩ Vadības slēdzis

3.2 Nosacījumiem atbilstīga lietošana

Aprakstītais izstrādājums uz muguras nēsājams sprieguma avots. Sprieguma avots kalpo kā enerģijas avots **Hilti** sērijas B 22 litija jonu akumulatoru Nuron ievietošanai. Sprieguma avots ir paredzēts tikai lietošanai kopā ar iekšējām vibroblietēm, kurām motors atrodas iekšpusē.



- Lietojiet kopā ar šo izstrādājumu tikai sērijas B 22 **Hilti** litija jonu akumulatorus Nuron. Lai nodrošinātu optimālu darbības efektivitāti, **Hilti** iesaka kopā ar šo izstrādājumu lietot šīs lietošanas instrukcijas beigās iekļautajā tabulā norādītos akumulatorus.
- Lietojiet šo akumulatoru uzlādēšanai tikai šīs lietošanas instrukcijas beigās iekļautajā tabulā norādīto sēriju **Hilti** lādētājus.

3.3 Piegādes komplektācija

Pārnēsājams sprieguma avots, lietošanas instrukcija

Citus šim izstrādājumam izmantojamus sistēmas produktus meklējiet **Hilti Store** vai tīmekļvietnē: www.hilti.group

3.4 Litija jonu akumulatora indikācija

Hilti litija jonu akumulatoru Nuron indikācija var informēt par akumulatora uzlādes līmeni, kļūmēm un stāvokli.

3.4.1 Uzlādes līmeņa indikācija un kļūmes paziņojumi

BRĪDINĀJUMS!

Traumu risks akumulatora nokrišanas gadījumā!

- Ja akumulators ir ievietots un tiek nospiests atbloķēšanas taustiņš, nodrošiniet, lai akumulators atkal tiktu kārtīgi nofiksēts izstrādājumā.

Lai redzētu kādu no turpmāk aprakstītajām indikācijas veidiem, īsi nospiediet akumulatora atbloķēšanas taustiņu.

Uzlādes līmeņa un varbūtējo traucējumu indikācija ir redzama arī pastāvīgi, kamēr izstrādājums ir ieslēgts.

Stavuss	Nozīme
Četras (4) LED konstanti deg zaļā krāsā	Uzlādes līmenis: no 100 % līdz 71 %
Trīs (3) LED konstanti deg zaļā krāsā	Uzlādes līmenis: no 70 % līdz 51 %
Divas (2) LED konstanti deg zaļā krāsā	Uzlādes līmenis: no 50 % līdz 26 %
(1) LED konstanti deg zaļā krāsā	Uzlādes līmenis: no 25 % līdz 10 %
Viena (1) LED lēni mirgo zaļā krāsā	Uzlādes līmenis: < 10 %
(1) LED ātri mirgo zaļā krāsā	Litija jonu akumulators ir pilnībā izlādējies. Uzlādējiet akumulatoru. Ja LED pēc akumulatora uzlādes joprojām ātri mirgo, vērsieties Hilti servisā.
(1) LED ātri mirgo dzeltenā krāsā	Litija jonu akumulators vai tam pievienotais izstrādājums ir pārslógots, pārāk karsts vai pārāk auksts vai ir radies cita kļūme. Nodrošiniet, lai izstrādājums vai akumulators būtu ieteicamajā darba temperatūrā, un lietojiet izstrādājumu tā, lai tas netiktu pārslógots. Ja indikācija nepazūd, vērsieties Hilti servisā.
Viena (1) LED konstanti deg dzeltenā krāsā	Litija jonu akumulators un ar to savienotais izstrādājums nav savā starpā saderīgi. Lūdzu, vērsieties Hilti servisā.
(1) LED ātri mirgo sarkanā krāsā	Litija jonu akumulators ir bloķēts un nav lietojams. Lūdzu, vērsieties Hilti servisā.

3.4.2 Akumulatora stāvokļa indikācijas

Lai apskatītu akumulatora stāvokļa indikāciju, turiet atbloķēšanas taustiņu nospiestu ilgāk nekā trīs sekundes. Sistēma konstatē, ka potenciālu baterijas kļūmi, ko var izraisīt neatbilstīga apiešanās, piemēram, kritiens, sadursšana, ārēja karstuma iedarbība utt.

Stavuss	Nozīme
Visas LED deg kā skrejošā gaisma, pēc tam viena (1) LED konstanti deg zaļā krāsā.	Akumulatoru var turpināt lietot.



Stass	Nozīme
Visas LED deg kā skrejošā gaisma, pēc tam viena (1) LED konstanti deg dzeltenā krāsā.	Akumulatora stāvokļa informācijas nolasišanu neizdevās pabeigt. Atkārtojiet procesu vai vērsieties Hilti servisā.
Visas LED deg kā skrejošā gaisma, pēc tam viena (1) LED konstanti deg sarkanā krāsā.	Ja pievienoto izstrādājumu var turpināt lietot, atlikusi akumulatora kapacitāte ir mazāka nekā 50 %. Ja pievienoto izstrādājumu vairs nevar lietot, akumulators ir savu laiku nokalpojis un jānomaina pret citu. Lūdzu, vērsieties Hilti servisā.

4 Tehniskie parametri

Sistēmas izejas jauda	42,4 V, 3PΔ, 200 Hz~, 1000 W
Aizsardzības veids	IP X4
Apkārtējā temperatūra darbības laikā	-17 °C ... 40 °C
Uzglabāšanas temperatūra	-20 °C ... 70 °C

4.1 Akumulators

Akumulatora darba spriegums	21,6 V
Akumulatora svars	Skat. šīs lietošanas instrukcijas beigās
Apkārtējā temperatūra darbības laikā	-17 °C ... 60 °C
Uzglabāšanas temperatūra	-20 °C ... 40 °C
Akumulatora temperatūra uzlādes sākumā	-10 °C ... 45 °C

5 Sagatavošanās darbam

BRĪDINĀJUMS!

Traumu risks nejaušas iedarbošanās gadījumā!

- ▶ Pirms akumulatora ievietošanas pārliecinieties, ka attiecīgais izstrādājums ir izslēgts.
- ▶ Pirms iekārtas iestāšanās vai piederumu maiņas izņemiet no iekārtas akumulatoru.

Ievērojiet drošības norādījumus un brīdinājumus, kas atrodami šajā dokumentācijā un uz izstrādājuma.

5.1 Akumulatora uzlādēšana

1. Pirms uzlādes sākšanas izlasiet lādētāja lietošanas instrukciju.
2. Raugieties, lai akumulatora un lādētāja kontaktu virsmas ir tīras un sausas.
3. Veiciet akumulatora uzlādi atbilstīgā lādētājā. 54

5.2 Akumulatora ievietošana

BRĪDINĀJUMS!

Traumu risks īssavienojuma vai akumulatora nokrišanas gadījumā!

- ▶ Pirms akumulatora ievietošanas pārliecinieties, ka uz akumulatora un izstrādājuma kontaktiem neatrodas nekādi svešķermeņi.
- ▶ Pārbaudiet, vai akumulators ir droši nofiksēts.

1. Pirms pirmās lietošanas pilnībā uzlādējiet akumulatoru.
2. Atveriet akumulatoru nodalījuma vāku.
3. Iebīdiet akumulatoru izstrādājumā, līdz tas dzirdami nofiksējas.
4. Pārbaudiet, vai akumulators ir droši nofiksēts.
5. Atkārtojiet šo procedūru ar otru akumulatoru.
6. Aizveriet akumulatoru nodalījuma vāku.



5.3 Akumulatora izņemšana

1. Atveriet akumulatoru nodalījuma vāku.
2. Nospiediet viena akumulatora atbloķēšanas taustiņu.
3. Izvelciet akumulatoru no izstrādājuma.
4. Atkārtojiet šo procedūru ar otru akumulatoru.
5. Aizveriet akumulatoru nodalījuma vāku.

6 Lietošana

Ievērojiet drošības norādījumus un brīdinājumus, kas atrodami šajā dokumentācijā un uz izstrādājuma.

6.1 Pārvietojamā sprieguma avota uzlikšana 2, 3, 4, 5, 6, 7

1. Uzlieciet izstrādājumu līdžīgi kā mugursomu. Ievielciet rokas plecu siksnās un novietojiet plecu siksnas sev uz pleciem.
2. Aizveriet gurnu siksnas saspraužamo aizslēgu.
3. Pielāgojiet gurnu siksnu.
 - ▶ Lai atbrīvotu gurnu siksnu, slīpi paceliet siksnas fiksatorus.
 - ▶ Pavelciet gurnu siksnas abus galus uz priekšu, lai to nospriegotu.
4. Aizveriet krūšu siksnas saspraužamo aizslēgu.
5. Pielāgojiet krūšu siksnu.
6. Pielāgojiet plecu siksnas.
 - ▶ Slīpi paceliet siksnu fiksatorus, lai atbrīvotu plecu siksnas.
 - ▶ Pavelciet siksnu galus uz leju, lai nospriegotu plecu siksnas.

6.2 Iekšējās vibroblietes pievienošana 3

1. Atveriet kontaktligzdas pārsegu.
2. Pievienojiet kontaktligzdai iekšējās vibroblietes barošanas kontaktdakšu.
3. Pakariniet stiepes ierobežotāju pie gurnu siksnas.

6.3 Kontaktligzdas aktivēšana 9

- ▶ Aktivējiet vadības slēdzi, lai nodrošinātu enerģijas pievadīšanu kontaktligzdai.
 - ▶ Zaļa LED informē, ka kontaktligzda ir aktivēta.
 - ▶ Oranža LED informē par vāju akumulatora uzlādi.

6.4 Iekšējās vibroblietes lietošana

- ▶ Norādījumus par pievienotās iekšējās vibroblietes lietošanu lasiet tās lietošanas instrukcijā.

6.5 Kontaktligzdas deaktivēšana 9

Pabeidzot darbu ar iekšējo vibroblieti, vienmēr deaktivējiet arī **NCV 10-22** kontaktligzdu.

- ▶ Deaktivējiet vadības slēdzi, lai izslēgtu enerģijas pievadīšanu kontaktligzdai.
 - ▶ LED nodziest.



Ja **NCV 10-22** kontaktligzda 30 minūtes netiek lietota, tā automātiski deaktivējas.

7 Apkope un uzturēšana



BRĪDINĀJUMS!

Traumu risks ievietota akumulatora gadījumā !

- ▶ Pirms jebkādiem apkopes un tehniskā stāvokļa uzturēšanas darbiem vienmēr izņemiet akumulatoru!

Izstrādājuma kopšana

- Uzmanīgi notīriet pielīpušos netīrumus.
- Ja izstrādājumam ir ventilācijas atveres, uzmanīgi iztīriet tās ar sausu, mīkstu birstīti.



- Notīriet korpusa virsmas tikai ar nedaudz samitrinātu drāniņu. Nelietojiet silikonu saturošus kopšanas līdzekļus, jo tie var sabojāt plastmasas daļas.
- Izstrādājuma kontaktu tīrīšanai lietojiet tīru un sausu drāniņu.

Litija jonu akumulatoru apkope

- Nekādā gadījumā nelietojiet akumulatoru ar nosprostotām ventilācijas atverēm. Uzmanīgi iztīriet ventilācijas atveres ar sausu, mīkstu birstīti.
- Nepakļaujiet akumulatoru nevajadzīgai putekļu vai netīrumu ietekmei. Nekādā gadījumā nepakļaujiet akumulatoru spēcīgam mitrumam (piemēram, nemērciet to ūdenī un neatstājiet lietū).

Ja akumulators ir samircis, rīkojieties ar to tāpat, kā jūs rīkotos ar bojātu akumulatoru. Ievietojiet to izolētā nedegoša materiāla tvertnē un vērsieties **Hilti** servisā.

- Raugieties, lai akumulators nebūtu savārtīts ar nepiederīgu eļļu un smērvielām. Raugieties, lai uz akumulatora nevajadzīgi neuzkrātos putekļi un netīrumi. Notīriet akumulatoru ar sausu, mīkstu birstīti vai tīru un sausu drāniņu. Nelietojiet silikonu saturošus kopšanas līdzekļus, jo tie var sabojāt plastmasas daļas.

Nepieskarieties akumulatora kontaktiem un neatīriet kontaktus no rūpnīcā uzklātās smērvielas.

- Notīriet korpusa virsmas tikai ar nedaudz samitrinātu drāniņu. Nelietojiet silikonu saturošus kopšanas līdzekļus, jo tie var sabojāt plastmasas daļas.

Uzturēšana

- Regulāri pārbaudiet visas redzamās daļas, lai pārliecinātos, ka tās nav bojātas un funkcionē nevainojami.
- Nelietojiet izstrādājumu, ja tam ir radušies bojājumi un/vai funkciju traucējumi. Nekavējoties nododiet izstrādājumu **Hilti** servisā remonta veikšanai.
- Pēc apkopes un remonta darbiem piemontējiet vietā visas aizsargierīces un pārbaudiet, vai tās darbojas nevainojami.



Lai izstrādājuma lietošana būtu droša, izmantojiet tikai oriģinālās rezerves daļas un patēriņa materiālus. Rezerves daļas, patēriņa materiālus un piederumus, kuru lietošanu kopā ar šo izstrādājumu akceptē **Hilti**, var atrast **Hilti Store** vai tīmekļvietnē: www.hilti.group

8 Iekārtu un akumulatoru transportēšana un uzglabāšana

Transportēšana



IEVĒROT PIESARDZĪBU!

Nekontrolēta iedarbošanās transportēšanas laikā!

- ▶ Pirms iekārtu transportēšanas vienmēr izņemiet no tām akumulatorus!
- ▶ Izņemiet akumulatoru / akumulatorus.
- ▶ Nekādā gadījumā netransportējiet akumulatorus nenostiprinātā veidā, sabērtus kaudzē. Transportēšanas laikā akumulatori jāsargā no triecieniem un vibrācijas, kā arī jāizolē no jebkādiem materiāliem, kam piemīt elektriskā vadītspēja, un citiem akumulatoriem, lai nepieļautu to nonākšanu saskarē ar citu bateriju kontaktiem un īssavienojuma rašanos. **Ievērojiet vietējos noteikumus par akumulatoru transportēšanu.**
- ▶ Akumulatorus nedrīkst sūtīt pa pastu. Ja vēlaties nosūtīt nebojātus akumulatorus, vērsieties sūtījumu piegādes uzņēmumā.
- ▶ Pirms katras lietošanas, kā arī pēc ilgākas transportēšanas pārbaudiet, vai izstrādājums un akumulatori nav bojāti.

Uzglabāšana



BRĪDINĀJUMS!

Neparedzami bojājumi bojātu vai izplūdušu akumulatoru dēļ!

- ▶ Pirms iekārtu novietošanas glabāšanā vienmēr izņemiet no tām akumulatorus!
- ▶ Glabājiet izstrādājumu un akumulatorus vēsā un sausā vietā. Ievērojiet temperatūras robežvērtības, kas norādītas tehnisko parametru sadaļā.
- ▶ Neglabājiet akumulatorus uz lādētāja. Pēc uzlādes procesa vienmēr noņemiet akumulatoru no lādētāja.
- ▶ Nekad neglabājiet akumulatorus saulē, uz siltuma avotiem vai aiz stikla.
- ▶ Glabājiet izstrādājumu un akumulatorus tā, lai tiem nevarētu piekļūt bērni un nepiederošas personas.
- ▶ Pirms katras lietošanas, kā arī pēc ilgākas uzglabāšanas pārbaudiet, vai izstrādājums un akumulatori nav bojāti.



9 Traucējumu novēršana

Jebkādu traucējumu gadījumā pievērsiet uzmanību akumulatora uzlādes līmeņa un traucējumu indikācijai. Skat. nodaļu **Litija jonu akumulatora indikācija**.

Ja izstrādājuma darbībā radušies traucējumi, kas nav uzskaitīti šajā tabulā vai ko jums neizdodas novērst saviem spēkiem, lūdzu, meklējiet palīdzību mūsu **Hilti** servisā.

Traucējums	Iespējamais iemesls	Risinājums
Akumulators nenofiksējas ar sadzirdamu klikšķi.	Netīrs akumulatora fiksācijas izcilnis.	► Notīriet fiksācijas izcilni un nofiksējiet akumulatoru vēlreiz.
Izstrādājumu nav iespējams ieslēgt.	Akumulators ir izlādējies.	► Nomainiet akumulatoru un uzlādējiet tukšo akumulatoru.
	Akumulators nav pilnībā iebīdīts.	► Nofiksējiet akumulatorus ar sadzirdamu klikšķi.

10 Nokalpojušo iekārtu utilizācija

BRĪDINĀJUMS!

Traumu risks neatbilstīgas utilizācijas gadījumā! Veselības apdraudējums, izplūstot kaitīgām gāzēm un šķidrumiem.

- Bojātus akumulatorus nav atļauts nosūtīt!
- Lai nepieļautu īssavienojumus, nosedziet pieslēguma kontaktus ar materiālu, kam nepiemīt elektriskā vadītspēja.
- Utilizējiet akumulatorus tā, lai tiem nevarētu piekļūt bērni.
- Nododiet akumulatoru utilizācijai jūs apkalpojošajā **Hilti Store** vai vērsieties pie kompetentā atkritumu apsaimniekošanas uzņēmuma.

Hilti izstrādājumu izgatavošanā tiek izmantoti galvenokārt otrreiz pārstrādājami materiāli. Priekšnosacījums otrreizējai pārstrādei ir atbilstoša materiālu šķirošana. Daudzās valstīs **Hilti** pieņem nolietotās iekārtas otrreizējai pārstrādei. Lai saņemtu vairāk informācijas, vērsieties **Hilti** servisā vai pie sava pārdošanas konsultanta.



- Neizmetiet elektroiekārtas, elektroniskas ierīces un akumulatorus sadzīves atkritumos!

11 Ražotāja garantija

- Ar jautājumiem par garantijas nosacījumiem, lūdzu, vērsieties pie vietējā **Hilti** partnera.

12 Papildinformācija

Papildinformācija par lietošanu, tehniku, vides aizsardzību un materiālu otrreizējo pārstrādi ir pieejama, izmantojot šādu saiti: qr.hilti.com/manual/?id=2370140&id=2370142

Šī saite QR koda veidā ir iekļauta arī lietošanas instrukcijas beigās.

Originali naudojimo instrukcija

1 Informacija apie naudojimo instrukciją

1.1 Apie šią naudojimo instrukciją

- **Išpėjimas!** Prieš pradėdami naudoti prietaisą įsitinkinkite, kad perskaitėte ir supratote prie prietaiso pridėdamą naudojimo instrukciją, įskaitant instrukcijas, saugos ir išpėjamuosius nurodymus, pavėikslėlius ir specifikacijas. Svarbiausia susipažinkite su visomis instrukcijomis, saugos ir išpėjamaisiais nurodymais, pavėikslėliais, specifikacijomis be sudėtinėmis dalimis ir funkcijomis. Nesilaikant šio reikalavimo, kyla elektros smūgio, gaisro ir (arba) sunkių sužalojimų pavojus. Vėlesniam naudojimui išsaugokite naudojimo instrukciją, įskaitant visas instrukcijas, saugos ir išpėjamuosius nurodymus.
- **HILTI** prietaisai yra skirti profesionalams, todėl juos naudoti, atlikti jų techninės priežiūros ir remonto darbus leidžiama tik įgaliotam, instruktuiotam personalui. Šis personalas turi būti supažindintas su visais



galimais pavojais. Neinstrukuoto personalo netinkamai arba ne pagal paskirtį naudojamas prietaisas ir jo priedai gali kelti pavojų.

- Pridedama naudojimo instrukcija atitinka naujausią technikos lygį spausdinimo momentu. Naujausią versiją visada rasite internetu „Hilti“ prietaisų puslapyje. Sekite nuorodą arba QR kodą šioje naudojimo instrukcijoje, pažymėtą simboliu
- Kitiems asmenims prietaisą perduokite tik kartu su šia naudojimo instrukcija.

1.2 Ženklų paaiškinimas

1.2.1 Įspėjantieji nurodymai

Įspėjantieji nurodymai įspėja apie pavojus, gresiančius eksploatuojant prietaisą. Naudojami šie signaliniai žodžiai:

PAVOJUS

PAVOJUS !

- ▶ Šis žodis vartojamas norint įspėti apie tiesiogiai gresiantį pavojų, kurio pasekmės yra sunkūs kūno sužalojimai arba žūtis.

ĮSPĖJIMAS

ĮSPĖJIMAS !

- ▶ Šis žodis vartojamas norint įspėti apie galimai gresiantį pavojų, kurio pasekmės gali būti sunkūs kūno sužalojimai arba žūtis.

ATSARGIAI

ATSARGIAI !

- ▶ Šis žodis vartojamas potencialiai pavojingai situacijai žymėti, kai yra kūno sužalojimo arba materialinių nuostolių grėsmė.

1.2.2 Naudojimo instrukcijoje naudojami simboliai

Šioje naudojimo instrukcijoje naudojami tokie simboliai:

	Laikykitės naudojimo instrukcijos
	Naudojimo nurodymai ir kita naudinga informacija
	Rodo, kad juo paženklintą medžiagą galima perdirbti
	Elektrinių prietaisų ir akumuliatorių nemesti į buitines atliekas
	Hilti ličio jonų akumulatorius
	Hilti Kroviklis

1.2.3 Simboliai iliustracijose

Iliustracijose naudojami šie simboliai:

	Šis skaitmenys nurodo atitinkamą paveikslėlį šios naudojimo instrukcijos pradžioje.
3	Numeracija paveikslėliuose nurodo svarbius darbinis veiksmus arba darbiniams veiksmams svarbias konstrukcines dalis. Tekste šie darbiniai veiksmai arba konstrukcinės dalys išskirtos atitinkamais numeriais, pvz., (3) .
	Pozicijų numeriai naudojami paveikslėlyje Apžvalga – jie nurodo skyrelyje Prietaiso vaizdas esančių paaiškinimų numerius.
	Šiuo ženklu siekiama atkreipti ypatingą dėmesį į naudojamą šiuo prietaisu.



1.3 Specifiniai prietaiso simboliai

1.3.1 Simboliai ant prietaiso

Ant prietaiso gali būti naudojami šie simboliai:

	Prietaisas palaiko NFC technologiją, suderinamą su „iOS“ ir „Android“ platformomis.
	Ličio jonų akumulatorius
	Niekada nenaudokite akumulatoriaus kaip smūginio įrankio.
	Saugokite, kad akumulatorius nenukristų. Nenaudokite akumulatoriaus, kuris buvo sutrenktas arba kaip nors kitaip pažeistas.

1.4 Informacija apie prietaisą

HILTI gaminiai yra skirti profesionalams, todėl juos naudoti, techniškai prižiūrėti ir remontuoti leidžiama tik įgaliotam instruktuiotam personalui. Šis personalas turi būti supažindintas su visais galimais pavojais. Neapmokyto personalo, netinkamai arba ne pagal paskirtį naudojamais prietaisais ir jo reikmenys gali kelti pavojų.

Tipas ir serijos numeris yra nurodyti firminėje duomenų lentelėje.

- ▶ Serijos numerį perkeltkite į toliau nurodytą lentelę. Kreipdamiesi su prietaisu susijusiais klausimais į mūsų atstovybę ar techninės priežiūros centrą, visada nurodykite šiuos prietaiso duomenis.

Prietaiso duomenys

Kuprinė	NCV 10-22
Karta	01
Serijos Nr.	

1.5 Atitikties deklaracija

Gamintojas prisiimdama visą atsakomybę pareiškia, kad čia aprašytas prietaisas atitinka galiojančių įstatymų ir standartų reikalavimus. Atitikties deklaracijos kopiją rasite šios instrukcijos gale.

Techninė dokumentacija saugoma čia:

Hilti Entwicklungsgesellschaft mbH | Zulassung Geräte | Hiltistraße 6 | 86916 Kaufering, DE

2 Sauga

2.1 Saugos nurodymai

⚠️ ISPĖJIMAS Perskaitykite visus ant šio elektrinio įrankio esančius saugos nurodymus, instrukcijas, paveikslėlius ir techninius duomenis. Šių nurodymų nesilaikymas gali tapti elektros smūgio, gaisro ir / arba sunkių sužalojimų priežastimi.

Išsaugokite visus saugos nurodymus ir instrukcijas, kad galėtumėte į juos pažvelgti ateityje.

- ▶ Prietaisą ir priedus naudokite tik tada, kai jie yra techniškai tvarkingi.
- ▶ Prietaisą ir priedus draudžiama keisti ar atlikti kitokius jų pakeitimus.
- ▶ Sužalojimo pavojus dėl žemyn krentančių įrankių ir / arba priedų. Prieš pradėdami dirbti, patikrinkite, ar akumulatorius ir sumontuoti priedai yra patikimai pritvirtinti.
- ▶ Dirbdami su elektriniu įrankiu, būkite atidūs, sutelkite dėmesį į darbą ir vadovaukitės sveika nuovoka. Elektrinio įrankio nenaudokite, jeigu esate pavargę arba apsvaigę nuo narkotinių medžiagų, alkoholio ar vaistų. Neatidumo akimirka dirbant su elektriniu įrankiu gali tapti rimtų sužalojimų priežastimi.
- ▶ Prietaisą ir priedus naudokite tik laikydamiesi jų instrukcijų. Taip pat įvertinkite darbo sąlygas ir atliekamo darbo pobūdį. Elektrinius įrankius naudojant ne pagal paskirtį, gali kilti pavojingos situacijos.
- ▶ Elektrinius įrankius rūpestingai prižiūrėkite. Tikrinkite, ar judančios elektrinio įrankio dalys tinkamai funkcionuoja ir niekur nekliūva, ar nėra sulūžusių ir pažeistų dalių, kurios blogintų įrankio veikimą. Prieš naudojimą pažeistos prietaiso dalys turi būti suremontuotos. Blogai prižiūrimi elektriniai įrankiai yra daugelio nelaimingų atsitikimų priežastis.
- ▶ **Neturėkite iliuzijų, kad visada esate saugūs, ir, skaitydami naudojimo instrukcijas, nepraleiskite skyrelių apie saugų darbą su elektriniais įrankiais, net jeigu per ilgus naudojimo metus esate su**



savo elektriniu įrankių susipažinę. Neatsargus veiksmas per sekundės dalį gali tapti sunkių sužalojimų priežastimi.

- ▶ Nenardinkite prietaiso po vandeniu arba į kitą skystį.

Akumulatorinio įrankio naudojimas ir elgesys su juo

- ▶ **Akumulatoriams įkrauti naudokite tik tuos kroviklius, kuriuos rekomenduoja gamintojas.** Kroviklį, tinkantį tik nurodytiems akumuliatorių tipams, naudojant kitiems akumulatoriams įkrauti, kyla gaisro pavojus.
- ▶ **Elektriniuose įrankiuose naudokite tik konkrečiai jiems skirtus akumulatorius.** Naudojant kitokius akumulatorius, kyla pavojus susižaloti ir sukelti gaisrą.
- ▶ **Nenaudojamo akumulatoriaus nelaikykite šalia sąvaržėlių, monetų, raktų, vinių, varžtų ar kitokių smulkių metalinių daiktų, kurie galėtų trumpai sujungti akumulatoriaus kontaktus.** Trumpai sujungus akumulatoriaus kontaktus, yra pavojus nusidegini ar sukelti gaisrą.
- ▶ **Netinkamai naudojant akumuliatorių, iš jo gali ištekti skystis. Venkite kontakto su šiuo skysčiu. Jei skysčio atsitiktinai pateko ant odos, nuplaukite ją vandeniu, jei pateko į akis - gerai praplaukite jas vandeniu ir nedelsdami kreipkitės į gydytoją.** Akumulatoriaus skystis gali sudirginti arba chemiškai nudeginti odą.
- ▶ **Nenaudokite pažeisto arba perdirbto akumulatoriaus.** Pažeisti arba perdirbti akumulatoriai gali funkcionuoti nenumatytai, todėl gali kelti gaisro, sprogo ar sužalojimų pavojų.
- ▶ **Akumuliatorių saugokite nuo ugnies ir per aukštos temperatūros.** Ugnies arba didesnės kaip 130 °C (265 °F) temperatūros veikiamas akumulatorius gali sprogti.
- ▶ **Laikykitės visų įkrovimo instrukcijų ir akumuliatorių arba akumulatorinį įrankį visada įkraukite tik eksploatacavimo instrukcijoje nurodytame temperatūrų diapazone.** Netinkamas įkrovimas arba įkrovimas už leistino temperatūrų diapazono ribų gali sugadinti akumuliatorių ir padidinti gaisro pavojų.

2.2 Su akumulatoriais elgtis atsargiai

- ▶ **Laikykitės žemiau pateiktų saugaus naudojimo ir darbo su ličio jonų akumulatoriais saugos nuorodu.** Nesilaikant šių nurodymų, galimas odos sudirginimas, sunkūs sužalojimai dėl ęsdinginančio poveikio, cheminiai nudegimai, gaisro ir / arba sprogo pavojus.
- ▶ Akumulatorius naudokite tik nepriekaištingos techninės būklės.
- ▶ Kad išvengtumėte akumulatoriaus pažeidimų ir sveikatai labai kenksmingų skysčių ištekėjimo, su akumuliatoriumi elkitės labai atsargiai!
- ▶ Akumulatorius draudžiama modifikuoti ar kaip nors kitaip jais manipuluoti!
- ▶ Akumulatorius draudžiama ardyti, spausiti, kaitinti iki aukštesnės kaip 80 °C (176 °F) temperatūros arba deginti.
- ▶ Nenaudokite ir neįkraukite akumuliatorių, kurie buvo sutrenkti arba kaip nors kitaip pažeisti. Reguliariai tikrinkite, ar nėra akumulatoriaus pažeidimo požymių.
- ▶ Niekada nenaudokite utilizuotų arba remontuotų akumuliatorių.
- ▶ Akumulatoriaus arba akumulatorinio elektrinio įrankio niekada nenaudokite vietoje plaktuko.
- ▶ Saugokite akumulatorius nuo tiesioginių saulės spindulių, aukštesnės temperatūros, kibirkščių ir atviros ugnies. Tai gali sukelti sprogo pavojų.
- ▶ Baterijos polių nelieskite pirštais, įrankiais, papuošalais ar kitokiais elektrai laidžiais daiktais. Tai gali pažeisti akumuliatorių, taip pat padaryti materialinių nuostolių ir sužaloti.
- ▶ Saugokite akumulatorius nuo lietaus, drėgmės bei skysčių. Įsiskverbusi drėgmė gali sukelti trumpąjį jungimą, elektros smūgį, nudegimą, gaisrą ir sprogo pavojų.
- ▶ Naudokite tik šio tipo akumulatoriams skirtus kroviklius ir elektrinius įrankius. Laikykitės atitinkamoje naudojimo instrukcijoje pateiktų duomenų.
- ▶ Nenaudokite ir nelaikykite akumulatoriaus sprogoje aplinkoje.
- ▶ Jeigu į rankas paimtas akumulatorius atrodo karštas, jis gali būti sugedęs. Padėkite akumuliatorių matomoje, nedegioje vietos pakankamu atstumu nuo degių medžiagų. Leiskite akumuliatoriui atvėsti. Jei akumulatorius po valandos vis dar yra per karštas paimti į rankas, jis yra sugedęs. Kreipkitės į **Hilti** techninės priežiūros centrą, arba perskaitykite šį dokumentą „**Hilti** ličio jonų akumuliatorių saugos ir naudojimo nurodymai“.



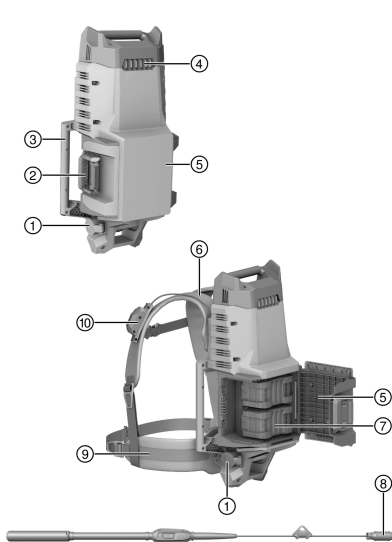
Laikykitės specialiųjų direktyvų, galiojančių ličio jonų akumuliatorių transportavimui, sandėliavimui ir naudojimui. 67

Perskaitykite **Hilti** ličio jonų akumuliatorių saugos ir naudojimo nurodymus, kuriuos rasite nuske- navę QR kodą, esantį šios naudojimo instrukcijos gale.



3 Aprašymas

3.1 Prietaiso vaizdas 1



- ① Elektros lizdas
- ② Akumuliatorių skyriaus fiksavimo apkaba
- ③ Rankena
- ④ Vėdinimo plyšiai
- ⑤ Akumuliatorių skyriaus dangtelis
- ⑥ Pečių diržai
- ⑦ Akumuliatorius
- ⑧ Giluminis vibratorius
- ⑨ Juosmens diržas
- ⑩ Valdymo jungiklis

3.2 Naudojimas pagal paskirtį

Aprašytasis prietaisas yra ant nugaros nešiojamas mobilus maitinimo šaltinis. Maitinimo šaltinis naudojamas B 22 serijos **Hilti** Nuron ličio jonų akumuliatoriams laikyti kaip energijos šaltinį. Maitinimo šaltinis skirtas naudoti tik giluminiais vibratoriais su viduje esančiu varikliu.

- Su šiuo prietaisu naudokite tik B 22 serijos **Hilti** Nuron ličio jonų akumuliatorius. Optimaliam našumui **Hilti** rekomenduoja šiam prietaisui šios naudojimo instrukcijos gale esančioje lentelėje nurodytus akumuliatorius.
- Šiems akumuliatoriams įkrauti naudokite tik šios naudojimo instrukcijos gale esančioje lentelėje nurodytų serijų **Hilti** kroviklius.

3.3 Tiekiamas komplektas

Mobilusis maitinimo šaltinis, naudojimo instrukcija

Daugiau Jūsų turimam prietaisui skirtų sisteminių priedų rasite vietinėje **Hilti Store** arba tinklalapyje www.hilti.group

3.4 Ličio jonų akumuliatoriaus rodmenys

Hilti Nuron ličio jonų akumuliatoriai gali parodyti įkrovos būklę, pranešimus apie klaidą ir akumuliatoriaus būklę.

3.4.1 Įkrovos būklės ir pranešimų apie klaidas rodmenys

ĮSPĖJIMAS

Sužalojimo pavojus krentančiu akumuliatoriumi!

- ▶ Kai akumuliatorius įstatytas, spausdami atblokavimo mygtuką įsitikinkite, kad vėl tinkamai užfiksavote akumuliatorių naudojamame prietaise.

Kad gautumėte vieną iš šių rodmenų, spustelėkite akumuliatoriaus atblokavimo mygtuką. Įkrovos būklė bei galimos triktys rodomos nuolat, kol prijungtas prietaisas yra įjungtas.



Būseną	Reikšmė
Keturi (4) šviesos diodai nuolat šviečia žaliai	Įkrovos lygis: nuo 100 iki 71 %
Trys (3) šviesos diodai nuolat šviečia žaliai	Įkrovos lygis: nuo 70 iki 51 %
Du (2) šviesos diodai nuolat šviečia žaliai	Įkrovos lygis: nuo 50 iki 26 %
Vienas (1) šviesos diodas nuolat šviečia žaliai	Įkrovos lygis: nuo 25 iki 10 %
Vienas (1) šviesos diodas lėtai mirksi žaliai	Įkrovos lygis: < 10 %
Vienas (1) šviesos diodas greitai mirksi žaliai	Ličio jonų akumulatorius yra visiškai išsikrovęs. Akumuliatorių įkraukite. Jei šviesos diodai po akumulatoriaus įkrovimo vis dar greitai mirksi, kreipkitės į Hilti techninės priežiūros centrą.
Vienas (1) šviesos diodas greitai mirksi geltonai	Ličio jonų akumulatorius arba su juo sujungtas prietaisas yra veikiamas per didelės apkrovos, yra per karštas, per šaltas arba įvykęs kitoks gedimas. Prietaisą ir akumuliatorių nustatykite į rekomenduojamą darbinę temperatūrą ir naudodami neperkraukite prietaiso. Jei pranešimas rodomas ir toliau, prašome kreiptis į Hilti techninės priežiūros centrą.
Vienas (1) šviesos diodas šviečia geltonai	Ličio jonų akumulatorius ir su juo susijęs prietaisas yra nesuderinami. Kreipkitės į Hilti techninės priežiūros centrą.
Vienas (1) LED šviesos diodas greitai mirksi raudonai	Ličio jonų akumulatorius užblokuotas, jo nebegalima naudoti. Kreipkitės į Hilti techninės priežiūros centrą.

3.4.2 Akumulatoriaus būsenos rodmenys

Norėdami užklausti apie akumulatoriaus būklę, ilgiau nei tris sekundes spauskite atblokavimo mygtuką. Sistema neatpažįsta galimo netinkamo baterijos veikimo, kuris yra neleistino baterijos naudojimo pasekmė, pvz., jai nukritus, ją pažeidus arba esant išorinių pažeidimų dėl karščio.

Būseną	Reikšmė
Visi šviesos diodai šviečia kaip signalinės lemputės, ir po to (1) vienas šviesos diodas nuolat šviečia žalia spalva.	Akumuliatorių galima naudoti toliau.
Visi šviesos diodai šviečia kaip signalinės lemputės, ir po to (1) vienas šviesos diodas greitai mirksi geltona spalva.	Užklausa dėl akumulatoriaus būklės negalėjo būti baigta. Procedūrą pakartokite arba kreipkitės į Hilti techninės priežiūros centrą.
Visi šviesos diodai šviečia kaip signalinės lemputės, ir po to (1) vienas šviesos diodas nuolat šviečia raudona spalva.	Jei prijungtą prietaisą galima naudoti toliau, likusi akumulatoriaus talpa yra mažesnė kaip 50%. Jei prijungto prietaiso toliau naudoti nebegalima, vadinasi akumulatoriaus eksploataavimo laikas baigėsi ir jį reikia pakeisti. Kreipkitės į Hilti techninės priežiūros centrą.

4 Techniniai duomenys

Sistemos išėjimo galia	42,4 V, 3PΔ, 200 Hz~, 1000 W
Apsaugos laipsnis	IP X4
Darbinė aplinkos temperatūra	-17 °C ... 40 °C
Laikymo temperatūra	-20 °C ... 70 °C



4.1 Akumulatorius

Akumulatoriaus darbinė įtampa	21,6 V
Akumulatoriaus svoris	Žr. šios naudojimo instrukcijos gale.
Darbinė aplinkos temperatūra	-17 °C ... 60 °C
Laikymo temperatūra	-20 °C ... 40 °C
Akumulatoriaus temperatūra, kai pradėdama įkrauti	-10 °C ... 45 °C

5 Pasiruošimas darbui

ĮSPĖJIMAS

Sužalojimo pavojus dėl atsitiktinio paleidimo!

- ▶ Prieš įdėdami akumuliatorių, įsitinkinkite, kad atitinkamas prietaisas yra išjungtas.
- ▶ Prieš nustatydami prietaisą ar keisdami reikmenis, išimkite akumuliatorių.

Laikykitės šioje instrukcijoje ir ant prietaiso pateiktų saugos nurodymų ir įspėjimų.

5.1 Akumulatoriaus įkrovimas

1. Prieš pradėdami krauti, perskaitykite kroviklio naudojimo instrukciją.
2. Atkreipkite dėmesį, kad akumulatoriaus ir kroviklio kontaktai turi būti švarūs ir sausi.
3. Akumuliatorių įkraukite leistinu krovikliu. 63

5.2 Akumulatoriaus įdėjimas

ĮSPĖJIMAS

Sužalojimo pavojus dėl trumpojo jungimo arba krintančio akumulatoriaus!

- ▶ Prieš įdėdami akumuliatorių įsitinkinkite, kad jo ir prietaiso kontaktuose nėra pašalinių daiktų.
- ▶ Įsitinkinkite, kad akumuliatorius visada tinkamai užsifiksavo.

1. Prieš pirmą kartą naudodami, akumuliatorių pilnai įkraukite.
2. Atidarykite akumuliatorių skyriaus dangtelį.
3. Akumuliatorių stumkite į prietaisą, kol jis girdimai užsifiksuos.
4. Patikrinkite, ar akumuliatorius gerai užfiksuotas prietaise.
5. Procedūrą pakartokite antram akumuliatoriui.
6. Uždarykite akumuliatorių skyriaus dangtelį.

5.3 Akumulatoriaus išėmimas

1. Atidarykite akumuliatorių skyriaus dangtelį.
2. Spauskite akumulatoriaus atblokavimo mygtuką.
3. Iš gaminio išimkite akumuliatorių.
4. Procedūrą pakartokite antram akumuliatoriui.
5. Uždarykite akumuliatorių skyriaus dangtelį.

6 Naudojimas

Laikykitės šioje instrukcijoje ir ant prietaiso pateiktų saugos nurodymų ir įspėjimų.

6.1 Mobiliojo maitinimo šaltinio užsidėjimas **2, 3, 4, 5, 6, 7**

1. Užsidėkite prietaisą kaip kuprinę. Įkiškite rankas į pečių diržus ir užsidėkite pečių diržus ant pečių.
2. Susekite juosmens diržo sagtį.
3. Pritaikykite juosmens diržą.
 - ▶ Truputį palenkite diržo fiksatorius, kad atpalaiduotumėte juosmens diržą.
 - ▶ Abu juosmens diržo galus patraukite į priekį, kad įtemptumėte diržą.
4. Susekite krūtinės diržo sagtį.



5. Pritaikykite krūtinės diržą.
6. Pritaikykite pečių diržus.
 - ▶ Norėdami atpalaiduoti pečių diržus, palenkite aukštyn diržų fiksatorius.
 - ▶ Patraukite diržo galus žemyn, kad įtemptumėte pečių diržus.

6.2 Giluminio vibratoriaus prijungimas

1. Atidarykite elektros lizdo dangtelį.
2. Giluminio vibratoriaus maitinimo kabelio kištuką įjunkite į elektros lizdą.
3. Tempimo pašalinimo elementą užkabinkite už nugaros diržo.

6.3 Elektros lizdo aktyvinimas

- ▶ Aktyvinkite valdymo jungiklį, kad elektros energija būtų tiekiami į elektros lizdą.
 - ▶ Žalias šviesos diodas informuoja, kad elektros lizdas yra suaktyvintas.
 - ▶ Oranžinis šviesos diodas signalizuoja apie mažą akumulatoriaus įkrovą.

6.4 Giluminio vibratoriaus naudojimas

- ▶ Norėdami naudoti prijungtą giluminį vibratorių perskaitykite jo naudojimo instrukciją.

6.5 Elektros lizdo išaktyvinimas

kai nustatote darbą su giluminiu vibratoriumi, visada išaktyvinkite **NCV 10-22** elektros lizdą.

- ▶ Išaktyvinkite valdymo jungiklį, kad išjungtumėte elektros energijos tiekimą į elektros lizdą.
 - ▶ Šviesos diodai užgesa.



NCV 10-22 elektros lizdas automatiškai išaktyvinamas po 30 minučių be naudojimo.

7 Priežiūra ir einamasis remontas



ĮSPĖJIMAS

Sužalojimo pavojus kai įstatytas akumulatorius !

- ▶ Prieš pradėdami bet kokius techninės priežiūros ir einamojo remonto darbus, akumuliatorių iš prietaiso išimkite!

Prietaiso priežiūra

- Prilipusius nešvarumus atsargiai nuvalykite.
- Jei yra, vėdinimo plyšius atsargiai išvalykite sausu minkštu šepetėliu.
- Korpusą valykite tik šiek tiek sudrėkinta šluoste. Nenaudokite priemonių, kurių sudėtyje yra silikono, nes jos gali pakenkti plastikinėms detalėms.
- Prietaiso kontaktams nuvalyti naudokite švarią, sausą šluostę.

Ličio jonų akumuliatorių priežiūra

- Niekada nenaudokite akumulatoriaus, jei jo vėdinimo plyšiai yra užsikimšę. Vėdinimo plyšius atsargiai išvalykite sausu, minkštu šepetėliu.
- Saugokite akumuliatorių nuo bereikalingo dulkių ir nešvarumų poveikio. Saugokite akumuliatorių nuo didelės drėgmės (pvz., napanardinkite į vandenį ir nepalikite stovėti lietuje). Jei akumulatorius peršlapo, elkitės su juo kaip su pažeistu akumuliatoriumi. Izoliuokite jį nedegiamame konteineryje ir kreipkitės į **Hilti** techninės priežiūros centrą.
- Saugokite akumuliatorių nuo pašalinės alyvos ir tepalų. Saugokite, kad ant akumulatoriaus nenusėtų dulkių ir nešvarumų. Akumuliatorių valykite sausu, minkštu šepetėliu arba švaria, sausa šluoste. Nenaudokite priemonių, kurių sudėtyje yra silikono, nes jos gali pakenkti plastikinėms detalėms. Nelieskite akumulatoriaus kontaktų ir nepašalinkite nuo kontaktų gamykloje užtepto tepalo.
- Korpusą valykite tik šiek tiek sudrėkinta šluoste. Nenaudokite priemonių, kurių sudėtyje yra silikono, nes jos gali pakenkti plastikinėms detalėms.

Einamasis remontas

- Reguliariai tikrinkite, ar matomos dalys nėra pažeistos ir ar valdymo elementai veikia neprikaištingai.



- Nenaudokite pažeisto prietaiso arba prietaiso su veikimo trukdžiais. Prietaisą nedelsdami pristatykite remontuoti į **Hilti** techninės priežiūros centrą.
- Atlikę priežiūros ir remonto darbus uždėkite visus apsauginiai įtaisus ir patikrinkite, ar jie nepriekaištingai veikia.



Kad eksploatacija būtų patikima, naudokite tik originalias atsargines dalis ir eksploatacines medžiagas. **Hilti** aprobuotas atsargines dalis, eksploatacines medžiagas ir reikmenis savo prietaisui rasite vietinėje **Hilti Store** arba tinklalapyje www.hilti.group

8 Akumuliatorių įrankių ir akumuliatorių transportavimas ir sandėliavimas

Transportavimas

ATSARGIAI

Atsitiktinis įjungimas transportuojant !

- ▶ Savo prietaisus visada transportuokite tik išėmę akumulatorius!
- ▶ Išimkite akumuliatorių/akumulatorius.
- ▶ Akumuliatorių niekada netransportuokite sumetę į krūvą su kitais daiktai. Transportuojamus akumuliatorių būtina saugoti nuo stiprių smūgių ir vibracijos, taip pat izoliuoti nuo bet kokių elektrai laidžių medžiagų ir kitų akumuliatorių, kad jie nesiliestų su kitų akumuliatorių poliais ir nesukeltų trumpojo jungimo. **Laikykitės eksploataavimo vietoje galiojančių akumuliatorių transportavimo direktyvų.**
- ▶ Akumuliatorius draudžiama siųsti paštu. Jei norite siųsti nepažeistus akumuliatorius, kreipkitės į pervežimų įmonę.
- ▶ Prieš kiekvieną naudojimą ir po ilgesnio transportavimo patikrinkite, ar prietaisais ir akumuliatoriai nepažeisti.

Sandėliavimas

ISPĖJIMAS

Atsitiktinis pažeidimas dėl sugedusių ar išsiliejusių akumuliatorių !

- ▶ Savo prietaisus visada laikykite tik išėmę akumulatorius!
- ▶ Prietaisais ir akumuliatorių laikykite vėsioje ir sausoje vietoje. Atkreipkite dėmesį į ribines temperatūros vertes, nurodytas skyriuje "Techniniai duomenys".
- ▶ Akumuliatoriaus nelaikykite ant kroviklio. Akumuliatorių visada nuimkite nuo kroviklio po įkrovimo proceso.
- ▶ Nelaikykite akumuliatoriaus saulėje, ant šilumos šaltinių ar už lango stiklo.
- ▶ Prietaisą ir akumuliatorių laikykite vaikams bei neįgalotiems asmenims neprieinamoje vietoje.
- ▶ Prieš kiekvieną naudojimą ir po ilgesnio sandėliavimo patikrinkite, ar prietaisais ir akumuliatoriai nepažeisti.

9 Pagalba sutrikus veikimui

Visų sutrikimų atvejais atkreipkite dėmesį į akumuliatoriaus įkrovos lygio ir sutrikimų rodmenį. Žr. skyrių **Ličio jonų akumuliatoriaus rodmenys**.

Pasitaikius sutrikimų, kurie neaprašyti šioje lentelėje arba kurių negalite pašalinti patys, kreipkitės į **Hilti** techninės priežiūros centrą.

Sutrikimas	Galima priežastis	Sprendimas
Akumuliatorius neužsifiksuoja girdimu spragtelėjimu.	Akumuliatoriaus fiksatorius yra užterštas.	▶ Fiksatorių išvalykite ir iš naujo įdėkite akumuliatorių.
Prietaisais neįsijungia.	Akumuliatorius yra išsikrovęs.	▶ Akumuliatorių pakeiskite, o išsikrovusį – įkraukite.
	Akumuliatorius netinkamai įstatytas.	▶ Užfiksuokite akumuliatorius, turi pasigirsti spragtelėjimas.



⚠️ ĮSPĖJIMAS

Sužalojimo pavojus dėl netinkamo utilizavimo! Išsinaučios dujos ir ištekantys skystis kelia pavojų sveikatai.

- ▶ Pažeistų akumuliatorių nesiųskite paštu ir nepervežkite!
- ▶ Kad būtų išvengta trumpojo jungimo, jungtis uždenkite elektrai nelaidžia medžiaga.
- ▶ Akumuliatorius utilizuokite taip, kad jie negalėtų patekti į vaikų rankas.
- ▶ Akumuliatorių pristatykite utilizuoti į savo **Hilti Store** arba kreipkitės į vietinę kompetentingą utilizavimo įmonę.

🌱 Didelė **Hilti** prietaisų dalis yra pagaminta iš medžiagų, kurias galima perdirbti. Būtina antrinio perdirbimo sąlyga yra tinkamas medžiagų išrūšiavimas. Daugelyje šalių **Hilti** priims Jūsų nebenaudojamą prietaisą perdirbti. Apie tai galite pasiteirauti artimiausiame **Hilti** techninės priežiūros centre arba savo prekybos konsultanto.



- ▶ Elektrinių įrankių, elektroninių prietaisų ir akumuliatorių neišmeskite į buitinius šiukšlynus!

11 Gamintojo teikiama garantija

- ▶ Kilus klausimų dėl garantijos sąlygų, kreipkitės į vietinį **Hilti** partnerį.

12 Daugiau informacijos

Daugiau informacijos apie valdymą, techniką, aplinką ir perdirbimą rasite šiuo adresu: qr.hilti.com/manual/?id=2370140&id=2370142

Šią sąsają, kaip QR kodą, taip pat rasite naudojimo instrukcijos gale.

Перевод оригинального руководства по эксплуатации**1 Данные руководства по эксплуатации****1.1 К настоящему руководству по эксплуатации****Импортер и уполномоченная изготовителем организация**

- (RU) Российская Федерация
АО "Хилти Дистрибьюшн ЛТД", 141402, Московская область, г. Химки, ул. Ленинградская, стр. 25, комната 15.26
- (BY) Республика Беларусь
ИООО "Хилти БиУай", 222750, Минская область, Дзержинский район, Р-1, 18-й км, 2 (около д. Слободка), помещение 1-34
- (KZ) Республика Казахстан
ТОО "Хилти Казахстан", 050057, г. Алматы, Бостандыкский район, ул. Тимирязева, дом 42/15, литер 012 (корпус15)
- (AM) Республика Армения
ООО "ЭЙЧ-КОН", 0070, г. Ереван, ул. Ерванда Кочара 19/28

Страна производства: см. маркировочную табличку на оборудовании.

Дата производства: см. маркировочную табличку на оборудовании.

Соответствующий сертификат можно найти по адресу: www.hilti.ru

Специальных требований к условиям хранения, транспортировки и использования, кроме указанных в руководстве по эксплуатации, нет.

Срок службы изделия составляет 5 лет.

- Предупреждение! Перед использованием изделия убедитесь в том, что вы полностью изучили прилагаемое к нему руководство по эксплуатации, включая приводимые там инструкции, указания по технике безопасности и предупреждения, иллюстрации и технические характеристики. В частности,



ознакомьтесь со всеми инструкциями, указаниями по технике безопасности и предупреждениями, иллюстрациями, техническими характеристиками, а также компонентами и функциями. Несоблюдение этих требований может привести к поражению электрическим током, возгоранию и/или серьезным травмам. Храните руководство по эксплуатации, включая все инструкции, указания по технике безопасности и предупреждения, для последующего использования.

- Изделия предназначены для профессионального использования, поэтому они должны обслуживаться и ремонтироваться только уполномоченным и обученным персоналом. Этот персонал должен пройти специальный инструктаж по технике безопасности. Использование изделия и его оснастки не по назначению или его эксплуатация необученным персоналом могут представлять опасность.
- Прилагаемое руководство по эксплуатации соответствует уровню технического прогресса на момент сдачи в печать. Актуальная версия всегда доступна в режиме онлайн на веб-сайте Hilti с описанием изделия. Для этого перейдите по ссылке или QR-коду, приводимым в настоящем руководстве по эксплуатации с обозначением символом .
- При смене владельца обязательно передавайте настоящее руководство по эксплуатации вместе с изделием.

1.2 Пояснение к знакам

1.2.1 Предупреждающие указания

Предупреждающие указания служат для предупреждения об опасностях при обращении с изделием. Используются следующие сигнальные слова:

ОПАСНО

ОПАСНО !

- ▶ Общее обозначение непосредственной опасной ситуации, которая влечет за собой тяжелые травмы или смертельный исход.

ПРЕДУПРЕЖДЕНИЕ

ПРЕДУПРЕЖДЕНИЕ !

- ▶ Общее обозначение потенциально опасной ситуации, которая может повлечь за собой тяжелые травмы или смертельный исход.

ОСТОРОЖНО

ОСТОРОЖНО !

- ▶ Общее обозначение потенциально опасной ситуации, которая может повлечь за собой травмы или повреждение оборудования (материальный ущерб).

1.2.2 Символы, используемые в руководстве

В этом руководстве используются следующие символы:

	Соблюдать руководство по эксплуатации
	Указания по эксплуатации и другая полезная информация
	Обращение с материалами, пригодными для вторичной переработки
	Не выбрасывайте электроинструменты и аккумуляторы вместе с бытовым мусором!
	Литий-ионный аккумулятор (Li-Ion) Hilti
	Зарядное устройство Hilti

1.2.3 Символы на изображениях

На изображениях используются следующие символы:

	Эти цифры указывают на соответствующее изображение в начале данного руководства.
--	--



3	Нумерация на иллюстрациях указывает на важные рабочие операции или на компоненты (детали), важные для рабочих операций. В тексте эти рабочие операции или компоненты выделены соответствующими номерами, например (3).
	Номера позиций используются в обзорном изображении. В обзоре изделия они указывают на номера в экспликации.
	Этот знак должен привлечь особое внимание пользователя при обращении с изделием.

1.3 Символы в зависимости от изделия

1.3.1 Символы на изделии

На изделии могут использоваться следующие символы:

	Изделие поддерживает технологию NFC, совместимую с платформами iOS и Android.
Li-Ion	Литий-ионный аккумулятор
	Никогда не используйте аккумулятор в качестве ударного инструмента.
	Не допускайте падения аккумулятора. Не используйте аккумулятор, который получил повреждения вследствие удара или каким-либо иным образом.

1.4 Информация об изделии

Изделия предназначены для профессионального использования, поэтому они должны обслуживаться и ремонтироваться только уполномоченным и обученным персоналом. Этот персонал должен пройти специальный инструктаж по технике безопасности. Использование изделия и его оснастки не по назначению или его эксплуатация необученным персоналом могут представлять опасность.

Типовое обозначение и серийный номер указаны на заводской табличке.

- Перепишите серийный номер в нижеприведенную табличную форму. Данные изделия необходимы при обращении в наше представительство или сервисный центр.

Указания к изделию

Рюкзак	NCV 10-22
Поколение	01
Серийный №	

1.5 Декларация соответствия нормам

Настоящим фирма-изготовитель с полной ответственностью заявляет, что данное изделие соответствует действующим директивам и нормам. Копию декларации соответствия нормам см. в конце этого документа.

Техническая документация (оригиналы) хранится здесь:

Hilti Entwicklungsgesellschaft mbH | Zulassung Geräte | Hiltistraße 6 | 86916 Kaufering, Германия

2 Безопасность

2.1 Указания по технике безопасности

⚠ ПРЕДУПРЕЖДЕНИЕ Изучите все указания по технике безопасности, инструкции, иллюстрации и технические данные, которые прилагаются к данному инструменту. Невыполнение приведенных ниже указаний может привести к поражению электрическим током, пожару и/или вызвать тяжелые травмы.

Сохраните все указания по технике безопасности и инструкции для следующего пользователя.

- Используйте устройство и его принадлежности только в технически исправном состоянии.
- Внесение изменений в конструкцию устройства/принадлежностей или его/их модификация категорически запрещаются.



- ▶ Опасность травмирования вследствие падения рабочих инструментов и/или принадлежностей. Перед началом работы убедитесь в том, что аккумулятор и установленная принадлежность надежно закреплены.
- ▶ Будьте внимательны, следите за своими действиями и серьезно относитесь к работе с электроустройством. Не пользуйтесь электроустройством, если вы устали или находитесь под действием наркотиков, алкоголя или медикаментов. Незначительная ошибка при невнимательной работе с электроустройством может стать причиной серьезного травмирования.
- ▶ Используйте это изделие и принадлежности только согласно данным указаниям. Учитывайте при этом рабочие условия и характер выполняемой работы. Использование электроинструментов не по назначению может привести к опасным ситуациям.
- ▶ Бережно обращайтесь с электроинструментами. Проверяйте безупречное функционирование подвижных частей, легкость их хода, целостность или отсутствие повреждений, которые могли бы отрицательно повлиять на работу электроустройства. Сдавайте поврежденные части устройства в ремонт до его использования. Причиной многих несчастных случаев является несоблюдение правил технического обслуживания электроинструментов.
- ▶ **Не пребывайте в ложной уверенности в собственной безопасности и не пренебрегайте правилами техники безопасности для электроинструментов, даже если вы являетесь опытным пользователем электроинструмента.** Неосторожное обращение может в течение долей секунды стать причиной получения тяжелых травм.
- ▶ Не погружайте изделие в воду или другие жидкости.

Использование и обслуживание аккумуляторного инструмента

- ▶ **Заряжайте аккумуляторы только с помощью зарядных устройств, рекомендованных изготовителем.** При использовании зарядного устройства для зарядки несоответствующих ему типов аккумуляторов существует опасность возгорания.
- ▶ **Используйте только оригинальные аккумуляторы, рекомендованные специально для этого изделия.** Использование других аккумуляторов может привести к травмам и опасности возгорания.
- ▶ **Неиспользуемые аккумуляторы храните вдали от скрепок, монет, ключей, гвоздей, шурупов или других мелких металлических предметов, которые могут стать причиной замыкания контактов.** Замыкание контактов аккумулятора может привести к ожогам или возгоранию.
- ▶ **При неверном обращении с аккумулятором из него может вытечь электролит. Избегайте контакта с ним. При случайном контакте смойте водой. При попадании электролита в глаза немедленно обратитесь за помощью к врачу.** Вытекший из аккумулятора электролит может привести к раздражению кожи или ожогам.
- ▶ **Не используйте поврежденный или измененный аккумулятор.** Поврежденные или измененные аккумуляторы могут функционировать непредсказуемо и стать причиной возгорания, взрыва или травмирования.
- ▶ **Не подвергайте аккумулятор воздействию огня или слишком высоких температур.** Огонь или температура свыше 130 °C могут спровоцировать взрыв аккумулятора.
- ▶ **Соблюдайте все указания по зарядке и никогда не заряжайте аккумулятор или аккумуляторный инструмент вне температурного диапазона, указанного в руководстве по эксплуатации.** Неправильная зарядка/зарядка вне указанного в руководстве по эксплуатации температурного диапазона могут привести к разрушению аккумулятора и повышают опасность возгорания.

2.2 Аккуратное обращение с аккумуляторами и их правильное использование

- ▶ **Соблюдайте следующие указания по технике безопасности для безопасного обращения и использования литий-ионных аккумуляторов.** Их несоблюдение может привести к раздражению кожи, серьезным травмам, химическим ожогам, возгоранию и/или взрывам.
- ▶ Используйте аккумуляторы только в технически исправном состоянии.
- ▶ Обращайтесь с аккумуляторами осторожно, чтобы не допустить повреждений и предотвратить выход жидкостей, представляющих серьезную опасность для здоровья!
- ▶ Категорически запрещается вносить изменения в конструкцию аккумуляторов или выполнять недопустимые манипуляции с ними!
- ▶ Запрещается разбирать, сдавливать, нагревать до температуры выше 80 °C (176 °F) или сжигать аккумуляторы.
- ▶ Не используйте или не заряжайте аккумуляторы, которые подвергались механическому (ударным) нагрузкам или получили повреждение каким-либо иным образом. Регулярно проверяйте используемые вами аккумуляторы на признаки повреждений.
- ▶ Категорически запрещается использовать восстановленные аккумуляторы или аккумуляторы после вторичной переработки.



- ▶ Категорически запрещается использовать аккумулятор или работающие от аккумулятора электроинструменты в качестве ударного инструмента.
- ▶ Категорически запрещается подвергать аккумуляторы воздействию прямого солнечного излучения, высокой температуры, искр или открытого пламени. Это может привести к взрывам.
- ▶ Не касайтесь аккумуляторных клемм (полюсов) пальцами, рабочими инструментами, украшениями или иными токопроводящими предметами. Это можно повредить аккумулятор, а также привести к материальному ущербу и травмам.
- ▶ Предохраняйте аккумуляторы от дождя, повышенной влажности и жидкостей. Проникшая влага может привести к коротким замыканиям, ударам электрическим током, ожогам, возгоранию или взрывам.
- ▶ Используйте только допущенные для данного типа аккумуляторов зарядные устройства и электроинструменты. Соблюдайте указания, приводимые в соответствующих руководствах по эксплуатации.
- ▶ Не используйте или не храните аккумулятор во взрывоопасных зонах.
- ▶ Слишком сильный нагрев аккумулятора (такой, что до него невозможно дотронуться) указывает на его возможный дефект. Разместите аккумулятор на безопасном расстоянии от воспламеняющихся материалов в хорошо просматриваемом и пожаробезопасном месте. Дайте остыть аккумулятору. Если по истечении одного часа аккумулятор все еще остается таким горячим, что его нельзя взять в руки, это означает, что он неисправен. Обратитесь в сервисную службу **Hilti** или изучите документ «Указания по технике безопасности и использованию литий-ионных аккумуляторов **Hilti**».

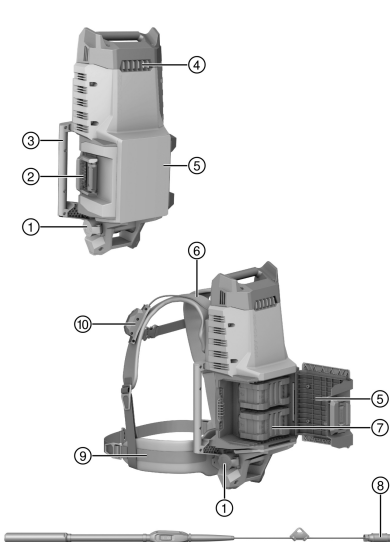


Соблюдайте специальные директивы по транспортировке, хранению и использованию литий-ионных аккумуляторов. 76

Ознакомьтесь с указаниями по технике безопасности и использованию литий-ионных аккумуляторов **Hilti**, которые можно посмотреть путем сканирования QR-кода в конце этого руководства по эксплуатации.

3 Описание

3.1 Обзор изделия



- ① Розетка
- ② Защелка аккумуляторного отсека
- ③ Рукоятка
- ④ Вентиляционные прорези
- ⑤ Крышка аккумуляторного отсека
- ⑥ Плечевые ремни
- ⑦ Аккумулятор
- ⑧ Внутренний (глубинный) вибратор
- ⑨ Поясной ремень
- ⑩ Управляющий выключатель

3.2 Использование по назначению

Описываемое изделие представляет собой мобильный блок электропитания, который можно переносить на спине. В качестве источников питания в это изделие устанавливаются литий-ионные аккумуляторы **Hilti** NiMH серии B 22. Изделие предназначено только для работы внутренних вибраторов со встроенными двигателями.



- Для этого изделия используйте только литий-ионные аккумуляторы **Hilti** Nuron серии В 22. Для обеспечения оптимальной мощности **Hilti** рекомендует использовать с этим изделием аккумуляторы, указанные в таблице в конце этого руководства по эксплуатации.
- Для зарядки этих аккумуляторов используйте только зарядные устройства **Hilti**, указанные в таблице в конце этого руководства по эксплуатации.

3.3 Комплект поставки

Переносной блок электропитания, руководство по эксплуатации

Другие системные принадлежности, допущенные для использования с этим изделием, вы можете найти в **Hilti Store** или на сайте **www.hilti.group**

3.4 Индикации состояния литий-ионного аккумулятора

Литий-ионные аккумуляторы **Hilti** Nuron оснащены светодиодами для индикации уровня заряда, сигналов ошибки и состояния батареи.

3.4.1 Индикация уровня заряда и сигналов ошибки



ПРЕДУПРЕЖДЕНИЕ

Опасность травмирования вследствие падения аккумулятора!

- ▶ При вставленном аккумуляторе путем нажатия кнопки разблокировки убедитесь в правильной повторной фиксации аккумулятора в используемом электроинструменте.

Для получения одной из следующих индикаций коротко нажмите кнопку разблокировки аккумулятора. Уровень заряда, а также возможные неисправности также отображаются в течение всего времени, пока подключенный (к аккумулятору) электроинструмент включен.

Состояние	Значение
Четыре (4) светодиода непрерывно горят зеленым.	Уровень заряда: от 100 % до 71 %
Три (3) светодиода непрерывно горят зеленым.	Уровень заряда: от 70 % до 51 %
Два (2) светодиода непрерывно горят зеленым.	Уровень заряда: от 50 % до 26 %
Один (1) светодиод непрерывно горит зеленым.	Уровень заряда: от 25 % до 10 %
Один (1) светодиод мигает зеленым с низкой частотой.	Уровень заряда: < 10 %
Один (1) светодиод мигает зеленым с высокой частотой.	Литий-ионный аккумулятор полностью разряжен. Зарядите аккумулятор. Если светодиод после зарядки аккумулятора все еще мигает с высокой частотой, обратитесь в сервисную службу Hilti .
Один (1) светодиод мигает желтым с высокой частотой.	Литий-ионный аккумулятор или подключенный к нему электроинструмент перегружены, слишком горячие, слишком холодные или имеет место другая ошибка. Обеспечьте доведение электроинструмента и аккумулятора до рекомендуемой рабочей температуры и не перегружайте электроинструмент при его использовании. Если сигнал остается, обратитесь в сервисную службу Hilti .
Один (1) светодиод горит желтым.	Литий-ионный аккумулятор и сопряженный с ним электроинструмент не совместимы друг с другом. Обратитесь в сервисный центр Hilti .
Один (1) светодиод мигает красным с высокой частотой.	Литий-ионный аккумулятор заблокирован и его дальнейшее использование невозможно. Обратитесь в сервисный центр Hilti .



3.4.2 Индикаторы состояния аккумулятора

Для запроса состояния аккумулятора удерживайте кнопку разблокировки нажатой в течение более 3 с. Система не распознает потенциальное нарушение работы аккумуляторной батареи вследствие неправильного обращения, например, падения, проколов, внешнего термического воздействия и т. д.

Состояние	Значение
Все светодиоды загораются в виде бегущего огня, после чего один (1) светодиод горит зеленым.	Аккумулятор можно продолжать использовать.
Все светодиоды загораются в виде бегущего огня, после чего один (1) светодиод мигает желтым с высокой частотой.	Не удалось завершить запрос состояния аккумулятора. Повторите процесс или обратитесь в сервисную службу Hilti .
Все светодиоды загораются в виде бегущего огня, после чего один (1) светодиод горит красным.	В случае возможности дальнейшего использования подключенного электроинструмента оставшаяся емкость аккумулятора составляет ниже 50 %. Если подключенный электроинструмент больше использовать невозможно, ресурс аккумулятора исчерпан и аккумулятор следует заменить. Обратитесь в сервисный центр Hilti .

4 Технические данные

Выходная мощность системы	42,4 В, 3РА, 200 Гц~, 1000 Вт
Степень защиты	IP X4
Температура окружающей среды при эксплуатации	-17 °С ... 40 °С
Температура хранения	-20 °С ... 70 °С

4.1 Аккумулятор

Рабочее напряжение аккумулятора	21,6 В
Масса аккумулятора	См. в конце этого руководства по эксплуатации
Температура окружающей среды при эксплуатации	-17 °С ... 60 °С
Температура хранения	-20 °С ... 40 °С
Температура аккумулятора в начале зарядки	-10 °С ... 45 °С

5 Подготовка к работе



ПРЕДУПРЕЖДЕНИЕ

Опасность травмирования вследствие непреднамеренного пуска!

- ▶ Перед установкой аккумулятора убедитесь в том, что соответствующий электроинструмент выключен.
- ▶ Прежде чем приступить к регулировке электроинструмента или замене принадлежностей выньте аккумулятор из электроинструмента.

Соблюдайте указания по технике безопасности и предупреждающие указания, приводимые в данном документе и на изделии.

5.1 Зарядка аккумулятора

1. Перед зарядкой изучите руководство по эксплуатации зарядного устройства.
2. Убедитесь в том, что контакты аккумулятора и зарядного устройства чистые и сухие.
3. Заряжайте аккумулятор только в допущенном к эксплуатации зарядном устройстве. 72



5.2 Установка аккумулятора

ПРЕДУПРЕЖДЕНИЕ

Опасность травмирования вследствие короткого замыкания или падения аккумулятора!

- ▶ Перед установкой аккумулятора убедитесь в чистоте его контактов и контактов электроинструмента.
- ▶ Всегда проверяйте, правильно ли зафиксирован аккумулятор.

1. Перед первым вводом в эксплуатацию полностью зарядите аккумулятор.
2. Откройте крышку аккумуляторного отсека.
3. Вставьте аккумулятор в изделие, чтобы он зафиксировался с характерным щелчком.
4. Проверьте надежность фиксации аккумулятора.
5. Повторите те же действия со вторым аккумулятором.
6. Закройте крышку аккумуляторного отсека.

5.3 Извлечение аккумулятора

1. Откройте крышку аккумуляторного отсека.
2. Нажмите кнопку разблокировки аккумулятора.
3. Извлеките аккумулятор из устройства.
4. Повторите те же действия со вторым аккумулятором.
5. Закройте крышку аккумуляторного отсека.

6 Управление

Соблюдайте указания по технике безопасности и предупреждающие указания, приводимые в данном документе и на изделии.

6.1 Надевание переносного блока электропитания

1. Наденьте изделие, как рюкзак. Проденьте руки через плечевые ремни и наденьте плечевые ремни на плечи.
2. Закройте застежку-клипсу поясного ремня.
3. Отрегулируйте поясной ремень.
 - ▶ Откиньте пряжки, чтобы ослабить поясной ремень.
 - ▶ Потяните поясной ремень за оба конца вперед, чтобы натянуть его.
4. Закройте застежку-клипсу нагрудного ремня.
5. Отрегулируйте нагрудный ремень.
6. Отрегулируйте плечевые ремни.
 - ▶ Чтобы ослабить плечевые ремни, откиньте пряжки.
 - ▶ Потяните концы ремней вниз, чтобы затянуть плечевые ремни.

6.2 Подключение внутреннего вибратора

1. Откройте крышку розетки.
2. Вставьте вилку внутреннего вибратора в розетку.
3. Зацепите амортизатор (для разгрузки провода от натяжения) за поясной ремень.

6.3 Активация розетки

- ▶ Нажмите управляющий выключатель, чтобы подать энергию к розетке.
 - ▶ Загорание зеленого светодиода сигнализирует о том, что розетка активирована.
 - ▶ Загорание оранжевого светодиода сигнализирует о низком заряде аккумуляторов.

6.4 Управление внутренним вибратором

- ▶ Для управления подключенным внутренним вибратором изучите руководство по его эксплуатации.

6.5 Отключение (деактивация) розетки

После завершения работы с внутренним вибратором всегда деактивируйте розетку **NCV 10-22**.



- ▶ Деактивируйте управляющий выключатель, чтобы отключить подачу энергии к розетке.
 - ▶ Светодиоды погаснут.



Розетка **NCV 10-22** автоматически деактивируется через 30 мин неиспользования.

7 Уход и техническое обслуживание



ПРЕДУПРЕЖДЕНИЕ

Опасность травмирования при установленном аккумуляторе !

- ▶ Перед проведением любых работ по уходу и обслуживанию всегда извлекайте аккумулятор!

Уход за электроинструментом

- Удаляйте налипшую грязь с осторожностью.
- Осторожно очищайте вентиляционные прорези (при наличии) сухой мягкой щеткой.
- Очищайте корпус только слегка увлажненной тканью. Не используйте средства по уходу с содержанием силикона, поскольку они могут повредить пластиковые детали.
- Для очистки контактов электроинструмента используйте чистую сухую тряпку.

Уход за литий-ионными аккумуляторами

- Категорически запрещается использовать аккумулятор с забитыми вентиляционными прорезями. Осторожно очистите вентиляционные прорези сухой мягкой щеткой.
- Не допускайте чрезмерного запыления или загрязнения аккумулятора. Категорически запрещается подвергать аккумулятор чрезмерному воздействию влаги (например, опускать его в воду или оставлять под дождем).

Если аккумулятор промокнет, обращайтесь с ним, как с поврежденным. Поместите его в контейнер из негорючего материала и обратитесь в сервисную службу **Hilti**.

- Аккумулятор должен быть чистым, без следов масла и смазки. Не допускайте чрезмерного скопления пыли или грязи на аккумуляторе. Очищайте аккумулятор сухой мягкой кистью или чистой и сухой тряпкой. Не используйте средства по уходу с содержанием силикона, поскольку они могут повредить пластиковые детали.

Не прикасайтесь к контактам аккумулятора и не удаляйте с них смазку, нанесенную на заводе.

- Очищайте корпус только слегка увлажненной тканью. Не используйте средства по уходу с содержанием силикона, поскольку они могут повредить пластиковые детали.

Техническое обслуживание

- Регулярно проверяйте все видимые части электроинструмента на отсутствие повреждений, а элементы управления — на исправное функционирование.
- При повреждениях и/или функциональных сбоях не используйте электроинструмент. Незамедлительно сдайте его для ремонта в сервисный центр **Hilti**.
- После ухода за электроинструментом и его технического обслуживания установите все защитные приспособления на место и проверьте их исправное функционирование.



Для обеспечения безопасной эксплуатации используйте только оригинальные запасные части и расходные материалы. Допущенные **Hilti** запасные части, расходные материалы и принадлежности для этого электроинструмента вы можете найти в **Hilti Store** или на: www.hilti.group

8 Транспортировка и хранение аккумуляторных инструментов и аккумуляторов

Транспортировка



ОСТОРОЖНО

Непреднамеренное включение в ходе транспортировки !

- ▶ При транспортировке своих электроинструментов всегда отсоединяйте от них аккумуляторы!
- ▶ Извлеките аккумулятор(ы).
- ▶ Категорически запрещается транспортировать аккумуляторы без упаковки (бестарным способом). Во время транспортировки необходимо принять меры по защите аккумуляторов от сильных ударов и вибраций и изолировать их от любых токопроводящих материалов или других аккумуляторов, чтобы не допустить их контакта с клеммами других аккумуляторов и, как следствие этого, короткого замыкания. **Соблюдайте действующие предписания по транспортировке аккумуляторов.**



- ▶ Запрещается пересылать аккумуляторы по почте. Обратитесь в транспортно-экспедиционную компанию, если вы хотите переслать поврежденные аккумуляторы.
- ▶ Перед каждым использованием, а также перед длительной транспортировкой и после нее проверяйте электроинструмент и аккумуляторы на отсутствие повреждений.

Хранение

ПРЕДУПРЕЖДЕНИЕ

Непреднамеренное повреждение вследствие неисправных или протекающих аккумуляторов !

- ▶ При хранении своих электроинструментов всегда отсоединяйте от них аккумуляторы!
- ▶ По возможности храните фонарь и аккумуляторы в сухом и прохладном месте. Соблюдайте ограничения по температуре, приводимые в технических характеристиках.
- ▶ Не храните аккумуляторы на зарядном устройстве. После зарядки всегда извлекайте аккумулятор из зарядного устройства.
- ▶ Никогда не оставляйте аккумуляторы на солнце, на нагревательных/отопительных элементах или за стеклом.
- ▶ Храните фонарь и аккумуляторы в недоступном для детей и посторонних лиц месте.
- ▶ Перед каждым использованием, а также перед длительным хранением и после него проверяйте электроинструмент и аккумуляторы на отсутствие повреждений.

9 Помощь при неисправностях

При любых неисправностях следите за индикатором уровня заряда и неисправностей аккумулятора. См. главу **Индикации состояния литий-ионного аккумулятора**.

В случае неисправностей, которые не указаны в этой таблице или которые вы не можете устранить самостоятельно, обращайтесь в ближайший сервисный центр **Hilti**.

Неисправность	Возможная причина	Решение
При установке аккумулятора не слышно характерного щелчка.	Грязь на фиксирующем выступе аккумулятора	▶ Очистите фиксирующий выступ и установите аккумулятор повторно.
Устройство не включается.	Аккумулятор разряжен.	▶ Замените аккумулятор и зарядите разряженный аккумулятор.
	Аккумулятор вставлен не полностью.	▶ Зафиксируйте аккумуляторы с характерным щелчком.

10 Утилизация

ПРЕДУПРЕЖДЕНИЕ

Опасность травмирования вследствие неправильной утилизации! Опасность для здоровья вследствие выхода газов или жидкостей.

- ▶ Не пересылайте поврежденные аккумуляторы!
- ▶ Закрывайте аккумуляторные контакты не проводящим ток материалом, чтобы избежать коротких замыканий.
- ▶ Утилизируйте аккумуляторы так, чтобы исключить их попадание в руки детей.
- ▶ Утилизируйте аккумулятор через ближайший **Hilti Store** или обратитесь в специализированную фирму по утилизации.

Большинство материалов, из которых изготовлены устройства **Hilti**, подлежат вторичной переработке. Перед утилизацией следует тщательно рассортировать материалы (для удобства их последующей переработки). Во многих странах фирма **Hilti** уже организовала прием бывших в использовании электрических и электронных устройств (инструментов, приборов) для утилизации. Дополнительную информацию по этому вопросу можно получить в отделе по обслуживанию клиентов или у консультантов по продажам фирмы **Hilti**.



- ▶ Не выбрасывайте электрические инструменты, электронные устройства/приборы и аккумуляторы вместе с обычным мусором!



11 Гарантія виробителя

- ▶ С вопросами по поводу гарантийных условий обращайтесь в ближайшее представительство Hilti.

12 Дополнительная информация

Дополнительную информацию по эксплуатации, техническому оснащению, защите окружающей среды и повторному использованию см. по следующей ссылке: qr.hilti.com/manual/?id=2370140&id=2370142
Эта ссылка приводится также в конце руководства по эксплуатации в виде QR-кода.

Оригінальна інструкція з експлуатації

1 Інформація щодо інструкції з експлуатації

1.1 Про цю інструкцію з експлуатації

- **Попередження!** Перед використанням продукту слід обов'язково прочитати та зрозуміти інструкцію з експлуатації, що додається, у тому числі інструкції, вказівки з техніки безпеки, попереджувальні вказівки, ілюстрації та технічні характеристики. Зокрема, ознайомтеся з усіма інструкціями, вказівками з техніки безпеки, попереджувальними вказівками, ілюстраціями, технічними характеристиками, а також інформацією щодо компонентів та функцій. Недотримання цієї вимоги може призвести до ризику ураження електричним струмом, виникнення пожежі та/або тяжких травм. Зберігайте інструкцію з експлуатації, зокрема всі інструкції, вказівки з техніки безпеки та попереджувальні вказівки, щоб можна було звернутися до них у майбутньому.
- **HILTI** Інструменти призначені для професійного використання, а тому їхню експлуатацію, технічне обслуговування та ремонт слід доручати лише авторизованому персоналу зі спеціальною підготовкою. Цей персонал повинен бути спеціально проінструктований про можливі ризики. Інструмент та допоміжне приладдя можуть стати джерелом небезпеки у разі їхнього неправильного застосування некваліфікованим персоналом або у разі використання не за призначенням.
- Інструкція з експлуатації, що додається до продукту, відповідає стану науки і техніки, актуальному на момент її друку. Більш актуальну версію інструкції з експлуатації можна знайти в інтернеті на сторінці з інформацією про продукти Hilti. Для цього перейдіть за посиланням або QR-кодом у цій інструкції з експлуатації, що позначені символом .
- У разі зміни власника передавайте продукт лише разом із цією інструкцією з експлуатації.

1.2 Пояснення символів

1.2.1 Попереджувальні вказівки

Попереджувальні вказівки інформують користувача про фактори небезпеки, пов'язані із застосуванням інструмента. Використовуються такі сигнальні слова:

НЕБЕЗПЕКА

НЕБЕЗПЕКА !

- ▶ Указує на безпосередню небезпеку, що може призвести до отримання тяжких тілесних ушкоджень або навіть до смерті.

ПОПЕРЕДЖЕННЯ

ПОПЕРЕДЖЕННЯ !

- ▶ Указує на потенційно небезпечну ситуацію, яка може призвести до отримання тяжких тілесних ушкоджень або навіть смерті.

ОБЕРЕЖНО

ОБЕРЕЖНО !

- ▶ Указує на потенційно небезпечну ситуацію, яка може призвести до отримання тілесних ушкоджень або до матеріальних збитків.



1.2.2 Символи в інструкції з експлуатації

У цій інструкції з експлуатації використовуються такі символи:

	Дотримуйтеся вказівок, наведених в інструкції з експлуатації
	Указівки щодо експлуатації та інша корисна інформація
	Поводження з матеріалами, придатними для вторинної переробки
	Не викидайте електроінструменти і акумуляторні батареї у баки для побутового сміття
	Hilti Літій-іонна акумуляторна батарея
	Hilti Зарядний пристрій

1.2.3 Символи на ілюстраціях

На ілюстраціях використовуються такі символи:

	Цифрами позначаються відповідні ілюстрації, наведені на початку цієї інструкції з експлуатації.
	Наведена на рисунках нумерація позначає порядок виконання важливих робочих кроків або показує важливі деталі, необхідні для виконання цих робочих кроків. У тексті ці робочі кроки або деталі виділяються відповідними цифрами, наприклад (3).
	Номера позицій, наведені на оглядовій ілюстрації , відповідають номерам у легенді, що представлена у розділі « Огляд продукту ».
	Цей символ позначає аспекти, на які слід звернути особливу увагу під час застосування інструмента.

1.3 Символи, що обумовлені типом виробу

1.3.1 Символи на виробі

На виробі можуть бути наведені такі символи:

	Інструмент підтримує технологію NFC та є сумісним із платформами iOS та Android.
	Літій-іонна акумуляторна батарея
	Ніколи не використовуйте акумуляторну батарею у якості ударного інструмента.
	Не допускайте падіння акумуляторної батареї. Не використовуйте акумуляторну батарею, яка зазнала ударного навантаження або була пошкоджена іншим чином.

1.4 Інформація про інструмент

HILTI Інструменти призначені для професійного використання, а тому їхню експлуатацію, технічне обслуговування та ремонт слід доручати лише авторизованому персоналу зі спеціальною підготовкою. Цей персонал повинен бути спеціально проінструктований про можливі ризики. Інструмент та допоміжне приладдя можуть стати джерелом небезпеки у разі їхнього неправильного застосування некваліфікованим персоналом або у разі використання не за призначенням.

Тип та серійний номер зазначені на заводській табличці.

- ▶ Перелишіть серійний номер у наведену нижче таблицю. При оформленні запитів до нашого представництва та до сервісної служби вкажіть інформацію про інструмент.

Інформація про виріб

Ранцевий блок живлення	NCV 10-22
Версія	01
Серійний номер	



1.5 Сертифікат відповідності

Виробник зі всією належною відповідальністю заявляє, що описаний у цьому документі інструмент відповідає чинному законодавству і стандартам. Копія сертифіката відповідності наведена у кінці цього документа.

Технічна документація зазначена нижче:

Hilti Entwicklungsgesellschaft mbH | Zulassung Geräte | Hiltistraße 6 | 86916 Kaufering, DE

2 Безпека

2.1 Вказівки з техніки безпеки

⚠ ПОПЕРЕДЖЕННЯ! Уважно прочитайте усі вказівки та інструкції з техніки безпеки, ознайомтеся з малюнками та технічними даними цього електроінструмента. Щонайменше недотримання наведених нижче вказівок може призвести до ураження електричним струмом, займання та/або отримання тяжких травм.

Збережіть всі інструкції та вказівки з техніки безпеки – вони можуть знадобитися Вам у майбутньому.

- ▶ Користуйтеся лише повністю справним інструментом та приладдям.
- ▶ Вносити будь-які зміни до конструкції інструмента або приладдя заборонено.
- ▶ Небезпека травмування в результаті падіння інструментів та/або приладдя. Перш ніж розпочинати роботу, перевірте, чи надійно закріплене приладдя й акумуляторна батарея.
- ▶ Будьте уважними, зосередьтеся на виконуваній операції, до роботи з електроінструментом ставтеся серйозно. Не користуйтеся електроінструментом, якщо Ви втомлені або перебуваєте під дією наркотичних речовин, алкоголю або лікарських засобів. Під час роботи з електроінструментом не відволікайтеся ні на мить, оскільки це може призвести до отримання серйозних травм.
- ▶ Використовуйте виріб і приладдя до нього лише відповідно до цих інструкцій. При цьому завжди враховуйте умови в місці виконання робіт та дії, яких вимагає поставлене завдання. Використання електроінструментів не за призначенням може призвести до виникнення небезпечних ситуацій.
- ▶ Електроінструменти потребують дбайливого догляду. Ретельно перевіряйте, чи бездоганно працюють та чи не заклинюють рухомі частини, чи не зламалися або не зазнали інших пошкоджень деталі, від яких залежить справна робота електроінструмента. Перед початком роботи з інструментом пошкоджені деталі слід відремонтувати. Багатьох нещасних випадків можна уникнути за умови належного технічного обслуговування електроінструментів.
- ▶ **Не можна нехтувати правилами безпеки під час роботи з електроінструментами навіть у тому випадку, коди Ви добре знайомі з тим чи іншим електроінструментом.** Якщо користуватися інструментом необережно, лише малої частки секунди може бути достатньо для отримання тяжких травм.
- ▶ Не занурюйте виріб у воду чи будь-яку іншу рідину.

Використання акумуляторного інструмента та належний догляд за ним

- ▶ **Для заряджання акумуляторних батарей застосовуйте лише зарядні пристрої, рекомендовані виробником.** Зарядний пристрій, придатний для заряджання акумуляторних батарей певного типу, може спричинити пожежу, якщо його застосовувати для заряджання акумуляторних батарей інших типів.
- ▶ **Для живлення електроінструментів застосовуйте лише спеціально призначені для цього акумуляторні батареї.** Застосування інших акумуляторних батарей може призвести до отримання травм і виникнення пожежі.
- ▶ Акумуляторну батарею, яка не використовується, тримайте подалі від канцелярських скріпок, монет, ключів, цвяхів, гвинтів та інших дрібних металевих предметів, які могли б спричинити коротке замикання її контактів. Коротке замикання контактів акумуляторної батареї може призвести до отримання опіків або до виникнення пожежі.
- ▶ **У разі неправильного застосування з акумуляторної батареї може пролитися рідина. Уникайте контакту з нею. У разі випадкового контакту цієї рідини зі шкірою негайно промийте уражене місце достатньою кількістю води. Якщо рідина потрапила в очі, рекомендується додатково звернутися по лікарську допомогу.** Пролита з акумуляторної батареї рідина може призвести до подразнення шкіри або отримання опіків.
- ▶ **Не використовуйте акумуляторну батарею, якщо вона пошкоджена або якщо її конструкція була змінена.** Пошкоджені або модифіковані акумуляторні батареї вкрай ненадійні та становлять небезпеку пожежі, вибуху або травмування.
- ▶ **Не піддавайте акумуляторну батарею впливу вогню або високих температур.** Вогонь або температури понад 130 °C (265 °F) можуть спричинити вибух.




- ▶ **Дотримуйтеся вказівок щодо заряджання. Ніколи не заряджайте акумуляторну батарею або акумуляторний інструмент в умовах, що виходять за межі температурного діапазону, зазначеного в інструкції з експлуатації.** Неналежне заряджання або заряджання за межами зазначеного температурного діапазону може призвести до руйнування акумуляторної батареї та підвищує ризик займання.

2.2 Застосування акумуляторних батарей та дбайливий догляд за ними

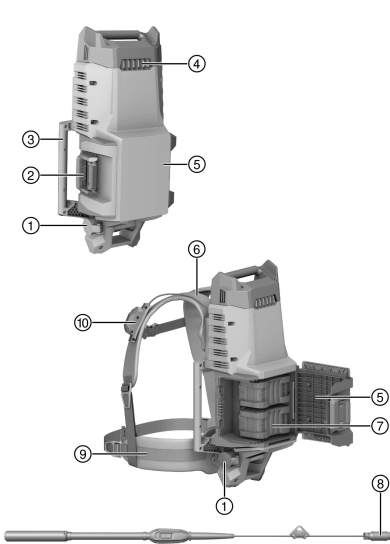
- ▶ **Дотримуйтеся наведених нижче вказівок з техніки безпеки, щоб гарантувати безпечно транспортування та використання літій-іонних акумуляторних батарей.** Невиконання цих вказівок може призвести до подразнення шкіри, серйозних травм внаслідок контакту з корозійними речовинами, а також до хімічних опіків, пожежі та/або вибуху.
- ▶ Користуйтеся лише повністю справними акумуляторними батареями.
- ▶ Обережно поводьтеся з акумуляторними батареями, щоб уникнути їхнього пошкодження або витoku рідин, які є дуже небезпечними для здоров'я!
- ▶ Забороняється вносити зміни до конструкції акумуляторних батарей або модифікувати їх!
- ▶ Акумуляторні батареї забороняється розбирати, роздавлювати, нагрівати до температури понад 80 °C (176 °F) або спалювати.
- ▶ Не використовуйте та не заряджайте акумуляторні батареї, які зазнали впливу ударного навантаження або були пошкоджені іншим чином. Регулярно перевіряйте акумуляторні батареї на наявність пошкоджень.
- ▶ Ніколи не використовуйте акумуляторні батареї із вторинних матеріалів або відремонтовані акумуляторні батареї.
- ▶ Не застосовуйте акумуляторну батарею або акумуляторний електроінструмент у якості ударного інструмента.
- ▶ Ніколи не піддавайте акумуляторні батареї впливу прямих сонячних променів, високих температур, іскор або відкритого вогню. Невиконання цієї вимоги може призвести до вибуху.
- ▶ Не торкайтеся полюсів елементів живлення пальцями, робочими інструментами, прикрасами, а також іншими предметами зі струмопровідних матеріалів. Невиконання цієї вимоги може привести до пошкодження акумуляторної батареї, матеріальних збитків і травм.
- ▶ Захищайте акумуляторні батареї від впливу дощу, вологи та рідин. Якщо всередину акумуляторної батареї потрапить волога, це може спричинити коротке замикання, ураження електричним струмом, опіки, пожежу або вибух.
- ▶ Використовуйте акумуляторну батарею тільки з тими електроінструментами та зарядними пристроями, для яких вона призначена. При цьому також дотримуйтеся вказівок, наведених в інструкціях до експлуатації відповідних виробів.
- ▶ Не використовуйте та не зберігайте акумуляторні батареї у вибухонебезпечному середовищі.
- ▶ Якщо акумуляторна батарея гаряча на дотик, вона може бути пошкоджена. Залиште акумуляторну батарею у захищеному від вогню місці на достатній відстані від горючих матеріалів, де за нею можна спостерігати. Зачекайте, доки акумуляторна батарея не охолоне. Якщо через годину акумуляторна батарея все ще залишається гарячою на дотик, це свідчить про її несправність. Зверніться до сервісної служби компанії **Hilti** або ознайомтеся з указівками щодо техніки безпеки та належної експлуатації літій-іонних акумуляторних батарей **Hilti**.



Дотримуйтеся спеціальних вказівок щодо транспортування, зберігання та використання літій-іонних акумуляторних батарей.  86

Ознайомтеся з указівками щодо техніки безпеки та належної експлуатації літій-іонних акумуляторних батарей **Hilti**: для цього відскануйте QR-код, наведений наприкінці цієї інструкції з експлуатації.



3.1 **Огляд продукту**


- ① Розетка
- ② Фіксатор кришки відсіку для акумуляторних батарей
- ③ Рукоятка
- ④ Вентиляційні прорізи
- ⑤ Кришка відсіку для акумуляторних батарей
- ⑥ Плечові ремені
- ⑦ Акумуляторна батарея
- ⑧ Глибинний вібратор
- ⑨ Поясний ремінь
- ⑩ Вимикач керування

3.2 **Використання за призначенням**

Описаний у цьому документі виріб являє собою ранцевий блок живлення. Блок живлення використовується для розміщення в ньому літій-іонних акумуляторних батарей **Hilti Nuron** типу В 22. Блок живлення призначений виключно для роботи з глибинним вібратором, що оснащений внутрішнім двигуном.

- Використовуйте із цим виробом лише літій-іонні акумуляторні батареї **Hilti Nuron** типу В 22. Щоб забезпечити оптимальну потужність виробу, компанія **Hilti** рекомендує використовувати з ним акумуляторні батареї, зазначені у таблиці наприкінці цієї інструкції з експлуатації.
- Для заряджання цих акумуляторних батарей використовуйте зарядні пристрої **Hilti** лише тих типів, які зазначені у таблиці наприкінці цієї інструкції з експлуатації.

3.3 **Комплект постачання**

Ранцевий блок живлення, інструкція з експлуатації

Інше приладдя, допущене до експлуатації з Вашим виробом, Ви можете придбати у **Hilti Store** або на веб-сайті www.hilti.group

3.4 **Варіанти індикації літій-іонної акумуляторної батареї**

Літій-іонні акумуляторні батареї **Hilti Nuron** оснащені індикаторами, які можуть відображати стан заряду, повідомлення про несправності, а також позначати стан акумуляторної батареї.

3.4.1 **Індикація стану заряду та повідомлень про несправність**
ПОПЕРЕДЖЕННЯ
Ризик отримання травм через падіння акумуляторної батареї!

- Якщо Ви натиснули на деблокувальну кнопку, коли акумуляторна батарея встановлена в інструмент, будь ласка, переконайтеся, що вона належним чином зафіксована.

Щоб відобразити одну з наведених нижче індикацій, короткочасно натисніть деблокувальну кнопку акумуляторної батареї.

Після приєднання інструмента індикатор постійно показуватиме стан заряду акумуляторної батареї, а також можливі несправності.



Стан	Значення
Чотири (4) світлодіоди постійно горять зеленим кольором	Стан заряду: від 100 % до 71 %
Три (3) світлодіоди постійно горять зеленим кольором	Стан заряду: від 70 % до 51 %
Два (2) світлодіоди постійно горять зеленим кольором	Стан заряду: від 50 % до 26 %
Один (1) світлодіод постійно горить зеленим кольором	Стан заряду: від 25 % до 10 %
Один (1) світлодіод повільно мигає зеленим кольором	Стан заряду: < 10 %
Один (1) світлодіод швидко мигає зеленим кольором	Літій-іонна акумуляторна батарея повністю розряджена. Зарядіть акумуляторну батарею. Якщо після заряджання акумуляторної батареї світлодіод продовжує швидко мигати, будь ласка, зверніться до сервісної служби компанії Hilti .
Один (1) світлодіод швидко мигає жовтим кольором	Літій-іонна акумуляторна батарея або приєднаний до неї інструмент перенавантажені, занадто гарячі або занадто холодні або виникла інша помилка. Зачекайте, доки інструмент і акумуляторна батарея не нагріються або не охолонуть до належної робочої температури, та надалі уникайте перенавантаження інструмента під час використання. Якщо індикація не зникає, будь ласка, зверніться до сервісної служби компанії Hilti .
Один (1) світлодіод горить жовтим кольором	Літій-іонна акумуляторна батарея та відповідний інструмент несумісні. Будь ласка, зверніться до сервісної служби компанії Hilti .
Один (1) світлодіод швидко мигає червоним кольором	Літій-іонна акумуляторна батарея заблокована та більше не може використовуватися. Будь ласка, зверніться до сервісної служби компанії Hilti .

3.4.2 Індикація стану акумуляторної батареї

Щоб відобразити індикацію стану акумуляторної батареї, натисніть і утримуйте деблокувальну кнопку протягом більше трьох секунд. Система не встановила жодних потенційних несправностей елемента живлення, обумовлених його неналежним використанням, наприклад падінням, проколюванням, пошкодженням внаслідок впливу високих температур тощо.

Стан	Значення
Усі світлодіоди послідовно загоряються, після чого один (1) світлодіод починає постійно горіти зеленим кольором.	Експлуатацію акумуляторної батареї можна продовжувати.
Усі світлодіоди послідовно загоряються, після чого один (1) світлодіод починає швидко мигати жовтим кольором.	Не вдалося завершити перевірку стану акумуляторної батареї. Повторіть операцію або зверніться до сервісної служби компанії Hilti .
Усі світлодіоди послідовно загоряються, після чого один (1) світлодіод починає постійно горіти червоним кольором.	Якщо використання приєданого інструмента можна продовжувати, це означає, що залишкова ємність акумуляторної батареї становить менше 50 %. Якщо використання приєданого інструмента вже не можна продовжувати, це означає, що строк служби акумуляторної батареї закінчився та її потрібно замінити. Будь ласка, зверніться до сервісної служби компанії Hilti .



4 Технічні дані

Вихідна потужність системи	42,4 В, 3 ф. Δ, 200 Гц~, 1000 Вт
Вид захисту	IP X4
Температура навколишнього середовища під час роботи	-17 °C ... 40 °C
Температура зберігання	-20 °C ... 70 °C

4.1 Акумуляторна батарея

Робоча напруга акумуляторної батареї	21,6 В
Маса акумуляторної батареї	Інформація наведена наприкінці цієї інструкції з експлуатації
Температура навколишнього середовища під час роботи	-17 °C ... 60 °C
Температура зберігання	-20 °C ... 40 °C
Температура акумуляторної батареї на початку процесу заряджання	-10 °C ... 45 °C

5 Підготовка до роботи

ПОПЕРЕДЖЕННЯ

Ризик отримання травм внаслідок непередбаченого увімкнення інструмента!

- ▶ Перш ніж установлювати акумуляторну батарею, переконайтеся, що відповідний інструмент вимкнений.
- ▶ Від'єднайте акумуляторну батарею, перш ніж задавати налаштування інструмента або замінити приладдя.

Дотримуйтеся попереджувальних вказівок та вказівок з техніки безпеки, наведених у цьому документі та на корпусі інструмента.

5.1 Заряджання акумуляторної батареї

1. Перед заряджанням акумуляторної батареї прочитайте інструкцію з експлуатації зарядного пристрою.
2. Контакти акумуляторної батареї та зарядного пристрою повинні бути чистими та сухими.
3. Заряджайте акумуляторну батарею тільки за допомогою тих зарядних пристроїв, які допущені до застосування з нею. 82

5.2 Установлення акумуляторної батареї

ПОПЕРЕДЖЕННЯ

Ризик отримання травм внаслідок короткого замикання або падіння акумуляторної батареї!

- ▶ Перш ніж установлювати акумуляторну батарею, переконайтеся, що на контактах батареї та інструмента немає сторонніх предметів.
- ▶ Завжди перевіряйте, щоб акумуляторна батарея була правильно зафіксована.

1. Перед першим використанням акумуляторну батарею слід повністю зарядити.
2. Відкрийте кришку відсіку для акумуляторних батарей.
3. Уставте першу акумуляторну батарею в інструмент, щоб вона зафіксувалася із чітким характерним звуком.
4. Переконайтеся, що акумуляторна батарея надійно зафіксована в інструменті.
5. Повторіть процес для другої акумуляторної батареї.
6. Закрийте кришку відсіку для акумуляторних батарей.

5.3 Виймання акумуляторної батареї

1. Відкрийте кришку відсіку для акумуляторних батарей.
2. Натисніть на деблокувальну кнопку першої акумуляторної батареї.



3. Дістаньте акумуляторну батарею з інструмента.
4. Повторіть процес для другої акумуляторної батареї.
5. Закрийте кришку відсіку для акумуляторних батарей.

6 Експлуатація

Дотримуйтеся попереджувальних вказівок та вказівок з техніки безпеки, наведених у цьому документі та на корпусі інструмента.

6.1 Надягання ранцевого блока живлення 2, 3, 4, 5, 6, 7

1. Надіньте пристрій як рюкзак. Просмикніть руки в плечові реміні та розмістіть плечові реміні на плечах.
2. Закрийте затискач поясного реміня.
3. Відрегулюйте поясний ремінь.
 - ▶ Щоб послабити поясний ремінь, злегка нахиліть пряжку реміня.
 - ▶ Щоб натягнути поясний ремінь, потягніть обидва його кінці вперед.
4. Закрийте затискач нагрудного реміня.
5. Відрегулюйте нагрудний ремінь.
6. Відрегулюйте плечові реміні.
 - ▶ Щоб послабити плечові реміні, злегка нахиліть пряжку реміня.
 - ▶ Щоб натягнути плечові реміні, потягніть їхні кінці униз.

6.2 Приєднання глибинного вібратора 9

1. Відкрийте кришку розетки.
2. Уставте штепсельну вилку глибинного вібратора в розетку.
3. Навісьте компенсатор натягу на поясний ремінь.

6.3 Активація розетки 9

- ▶ Активуйте вимикач керування, щоб подати живлення на розетку.
 - ▶ Зелений світлодіод вказує на те, що розетка активована.
 - ▶ Оранжевий світлодіод вказує на низький заряд акумуляторних батарей.

6.4 Робота з використанням глибинного вібратора

- ▶ Указівки щодо використання під'єданого глибинного вібратора наведені в його інструкції з експлуатації.

6.5 Деактивація розетки 9

Якщо Ви припиняєте роботу з глибинним вібратором, обов'язково деактивуйте розетку **NCV 10-22**.

- ▶ Деактивуйте вимикач керування, щоб припинити подачу живлення на розетку.
 - ▶ Світлодіоди згаснуть.



Якщо розетка **NCV 10-22** не використовується протягом 30 хвилин, вона деактивується автоматично.

7 Догляд і технічне обслуговування

ПОПЕРЕДЖЕННЯ

Небезпека травмування під час виконання робіт на інструменті з установленою акумуляторною батареєю!

- ▶ Завжди діставайте з інструмента акумуляторну батарею, перш ніж розпочинати будь-які роботи з догляду та технічного обслуговування!

Догляд за інструментом

- Видаляйте накопичення бруду обережно.



- Якщо конструкцією інструмента передбачені вентиляційні прорізи, обережно прочищайте їх м'якою сухою щіткою.
- Чистьте корпус інструмента тільки вологою тканиною. Не використовуйте миючі засоби, що містять силікон, оскільки вони можуть пошкодити пластмасові деталі.
- Для чищення контактів інструмента використовуйте чисту суху тканину.

Догляд за літій-іонними акумуляторними батареями

- Ніколи не використовуйте акумуляторну батарею із заблокованими вентиляційними прорізами. Обережно прочищайте вентиляційні прорізи м'якою сухою щіткою.
- Уникайте зайвого контакту акумуляторної батареї з пилом або брудом. Ніколи не піддавайте акумуляторну батарею впливу високої вологості (зокрема, не занурюйте її у воду та не залишайте під дощем).
Якщо рідина потрапила всередину акумуляторної батареї, з нею слід поводитися як із пошкодженою акумуляторною батареєю. Ізольуйте акумуляторну батарею у контейнері з нейтрального матеріалу та зверніться до сервісної служби компанії **Hilti**.
- Не допускайте забруднення акумуляторної батареї сторонніми мастильними матеріалами. Слідкуйте за тим, щоб на акумуляторній батареї не накопичувалась занадто велика кількість пилу або бруду. Видаляйте забруднення з акумуляторної батареї м'якою сухою щіткою або чистою сухою тканиною. Не використовуйте миючі засоби, що містять силікон, оскільки вони можуть пошкодити пластмасові деталі.
- Не торкайтеся контактів акумуляторної батареї та не видаляйте з них мастильні матеріали, нанесені на заводі виробника.
- Чистьте корпус інструмента тільки вологою тканиною. Не використовуйте миючі засоби, що містять силікон, оскільки вони можуть пошкодити пластмасові деталі.

Технічне обслуговування

- Регулярно перевіряйте усі зовнішні частини інструмента на наявність пошкоджень, а органи керування – на предмет справної роботи.
- Не використовуйте інструмент у разі виявлення пошкоджень та/або порушень функціональності. негайно передайте інструмент до сервісної служби компанії **Hilti** для здійснення ремонту.
- Після завершення робіт з догляду і технічного обслуговування встановіть усі захисні пристрої та перевірте їхню роботу.



Щоб гарантувати належну роботу інструмента, використовуйте тільки оригінальні запасні частини та видаткові матеріали. Рекомендовані компанією **Hilti** запасні частини, видаткові матеріали та приладдя для інструмента Ви можете придбати у найближчому магазині **Hilti Store** або на веб-сайті www.hilti.group

8 Транспортування та зберігання акумуляторних інструментів та акумуляторних батарей

Транспортування



ОБЕРЕЖНО

Непередбачене увімкнення інструмента під час транспортування !

- ▶ На час транспортування завжди діставайте з інструмента акумуляторну батарею!
- ▶ Діставайте акумуляторну(-і) батарею(-і).
- ▶ Ніколи не перевозьте акумуляторні батареї у незапакованому вигляді. Під час перевезення акумуляторні батареї повинні бути захищені від сильних поштовхів та вібрацій, а також ізольовані від будь-яких струмопровідних матеріалів та від інших акумуляторних батарей. Це дозволить уникнути короткого замикання, яке може статися через контакт полюсів різних акумуляторних батарей. **Дотримуйтеся місцевих правил, які регламентують порядок перевезення акумуляторних батарей.**
- ▶ Забороняється пересилати акумуляторні батареї поштою. Для пересилання непошкоджених акумуляторних батарей зверніться до кур'єрської служби.
- ▶ Перед кожним використанням, а також перед тривалим транспортуванням і після його завершення перевіряйте інструмент та акумуляторні батареї на наявність пошкоджень.



Зберігання



ПОПЕРЕДЖЕННЯ

Непередбачене пошкодження інструмента через несправність акумуляторної батареї або через виток електроліту з акумуляторної батареї !

- ▶ На час зберігання завжди діставайте з інструмента акумуляторну батарею!
- ▶ Зберігайте інструмент та акумуляторні батареї у сухому прохолодному місці. Дотримуйтеся діапазону температур, зазначеного у технічних даних інструмента.
- ▶ Не зберігайте акумуляторні батареї на зарядному пристрої. Після закінчення процесу заряджання завжди від'єднуйте акумуляторну батарею від зарядного пристрою.
- ▶ Не зберігайте акумуляторні батареї на сонці, біля джерел тепла або на підвіконні.
- ▶ Зберігайте інструмент та акумуляторні батареї у сухому місці, недоступному для дітей та сторонніх осіб.
- ▶ Перед кожним використанням, а також перед тривалим зберіганням і після його завершення перевіряйте інструмент та акумуляторні батареї на наявність пошкоджень.

9 Допомога у разі виникнення несправностей

У разі виникнення будь-яких несправностей звертайте увагу на індикатор стану заряду та несправності акумуляторної батареї. Додаткова інформація наведена у розділі «**Варіанти індикації літій-іонної акумуляторної батареї**».

У разі виникнення несправностей, які не зазначені у цій таблиці або які Ви не можете полагодити самостійно, зверніться до сервісної служби компанії **Hilti**.

Несправність	Можлива причина	Рішення
Акумуляторна батарея не зафіксується з чітко відчутним клацанням.	Фіксатор акумуляторної батареї засмічений.	▶ Прочистьте зачіпку фіксатора та вставте акумуляторну батарею знову.
Інструмент не вмикається.	Акумуляторна батарея розряджена.	▶ Замініть акумуляторну батарею та зарядьте розряджену акумуляторну батарею.
	Акумуляторна батарея встановлена в інструмент не до кінця.	▶ Зафіксуйте акумуляторні батареї із чітко відчутним клацанням.

10 Утилізація



ПОПЕРЕДЖЕННЯ

Ризик отримання травм внаслідок неналежної утилізації! Небезпека для здоров'я внаслідок контакту з газами або рідинами, що виходять з акумуляторної батареї.

- ▶ Пошкоджені акумуляторні батареї забороняється пересилати поштою або кур'єрською службою!
- ▶ Закрийте контакти акумуляторних батарей електронепровідним матеріалом, щоб запобігти короткому замиканню.
- ▶ Утилізуйте акумуляторні батареї таким чином, щоб вони не потрапили до рук дітей.
- ▶ Щоб утилізувати акумуляторну батарею, передайте її до найближчого магазину **Hilti Store** або зверніться до представника відповідної компанії з утилізації відходів.



Більшість матеріалів, з яких виготовлено інструменти компанії **Hilti**, придатні для вторинної переробки. Передумовою для їхньої вторинної переробки є належне сортування відходів за типом матеріалу. У багатьох країнах світу компанія **Hilti** приймає старі інструменти для їхньої утилізації. Щоб отримати додаткову інформацію, звертайтеся до сервісної служби компанії **Hilti** або до свого торгового консультанта.



- ▶ Не викидайте електроінструменти, електронні пристрої та акумуляторні батареї у баки для побутового сміття!

11 Гарантійні зобов'язання виробника

- ▶ З питань гарантії, будь ласка, звертайтеся до найближчого партнера компанії **Hilti**.



12 Додаткова інформація

Щоб ознайомитися із додатковою інформацією про застосування й технічне обслуговування виробу, його вплив на навколишнє середовище, а також про його утилізацію, будь ласка, скористайтеся цим посиланням: qr.hilti.com/manual/?id=2370140&id=2370142

Це посилання також наведене наприкінці інструкції з експлуатації у вигляді QR-коду.

Түпнұсқа пайдалану бойынша нұсқаулық

1 Пайдалану бойынша нұсқаулық туралы мәліметтер

1.1 Осы пайдалану бойынша нұсқаулық туралы



Импорттауыш және өндірушінің өкілетті ұйымы

- (RU) Ресей Федерациясы
"Хилти Дистрибьюшн ЛТД" АҚ, 141402, Мәскеу облысы, Химки қ., Ленинградская к-сі, 25-бет, 15.26-құрылымы
- (BY) Беларусь Республикасы
"Хилти БиУай" ЖШС, 222750, Минск облысы, Дзержин ауданы, Р-1, 18 км, 2 (Слободка ауылының жанында), 1-34 құрылымы
- (KZ) Қазақстан Республикасы
"Хилти Қазақстан" ЖШС, 050057, Алматы қ., Бостандық ауданы, Тимирязев к-сі, 42/15 үй, литер 012 (15 корпус)
- (KG) Қырғыз Республикасы
"Т AND Т" ЖШҚ, 720021, Қырғызстан, Бішкек қ., Ибраимов көш., 29 А үйі
- (AM) Армения Республикасы
"ЭЙЧ-КОН" ЖШҚ, 0070, Ереван қ., Ерманда Кочар к-сі, 19/28


Өндірілген елі: жабдықтағы белгілеу тақтайшасын қараңыз.

Өндірілген күні: жабдықтағы белгілеу тақтайшасын қараңыз.

Тиісті сертификатты мына мекенжай бойынша табуға болады: www.hilti.ru

Сақтау, тасымалдау және пайдалану шарттарына пайдалану бойынша нұсқаулықта белгіленгеннен басқа арнайы талаптар қойылмайды.

Өнімнің қызмет ету мерзімі 5 жыл.

- Ескерту! Өнімді пайдаланбас бұрын өніммен бірге берілген пайдалану бойынша нұсқаулықты, соның ішінде нұсқаулар, қауіпсіздік және ескерту нұсқаулары, суреттер мен спецификацияларды міндетті түрде оқып шығыңыз және түсініп алыңыз. Барлық нұсқаулар, қауіпсіздік және ескерту нұсқаулары, суреттер, спецификациялар, сондай-ақ құрамдас бөлшектер және функциялармен танысып шығыңыз. Бұл нұсқау орындалмаған жағдайда, ток соғу, өрт және/немесе ауыр жарақат алу қаупі туындайды. Пайдалану бойынша нұсқаулықты, соның ішінде барлық нұсқауларды, қауіпсіздік және ескерту нұсқауларын кейін пайдалану үшін сақтап қойыңыз.
- **HILTI** өнімдері кәсіби пайдаланушыларға арналған және оларды тек қана өкілетті, білікті қызметкерлер пайдалануы, күтім және техникалық қызмет көрсетуі тиіс. Қызметкерлер қауіпсіздік техникасы бойынша арнайы нұсқау алуы керек. Өнім мен оның қосалқы құралдарын басқа мақсатта қолдану немесе олардың оқытылмаған қызметкерлердің тарапынан пайдаланылуы қауіпті.
- Берілген пайдалану бойынша нұсқаулық басып шығарылған мезетте техниканың ағымдағы жағдайына сәйкес келеді. Ағымдағы нұсқау әрдайым Hilti өнімдерінің веб-сайтында қолжетімді. Ол үшін осы пайдалану бойынша нұсқаулықта  деп белгіленген сілтемеге өтіңіз немесе QR кодын сканерлеңіз.
- Өнімді басқа тұлғаларға тек осы пайдалану бойынша нұсқаулықпен бірге беріңіз.

1.2 Шартты белгілердің анықтамасы

1.2.1 Ескерту

Ескертулер өнімді қолдану барысындағы қауіптер туралы ескертеді. Төмендегі сигналдық сөздер пайдаланылады:



ҚАУІПТІ

ҚАУІПТІ !

- ▶ Ауыр жарақаттарға әкелетін немесе өмірге қауіп төндіретін тікелей қауіпті жағдайдың жалпы белгіленуі.

ЕСКЕРТУ

ЕСКЕРТУ !

- ▶ Ауыр жарақаттарға әкелуі немесе өмірге қауіп төндіруі мүмкін ықтимал қауіпті жағдайдың жалпы белгіленуі.

АБАЙЛАҢЫЗ

АБАЙЛАҢЫЗ !

- ▶ Жарақат алуға немесе мүліктің зақымдалуына әкелуі мүмкін ықтимал қауіпті жағдайдың жалпы белгіленуі.

1.2.2 Пайдалану бойынша нұсқаулықтағы белгілер

Бұл пайдалану бойынша нұсқаулықта төмендегі белгілер пайдаланылады:

	Пайдалану бойынша нұсқаулықты ұстану
	Аспапты пайдалану бойынша нұсқаулар және басқа пайдалы ақпарат
	Қайта пайдалануға болатын материалдармен жұмыс істеу
	Электр аспаптарды және аккумуляторларды тұрмыстық қоқысқа тастамаңыз
	Hilti Li-Ion аккумуляторы
	Hilti зарядтағыш құрылғысы

1.2.3 Суреттердегі белгілер

Суреттерде төмендегі белгілер қолданылады:

	Бұл сандар осы пайдалану бойынша нұсқаулықтың басындағы тиісті суретке сәйкес келеді.
	Суреттердегі нөмірлер маңызды жұмыс кезеңдерін немесе жұмыс кезеңдері үшін маңызды құрамдас бөлшектерді көрсетеді. Мәтінде бұл жұмыс кезеңдері немесе құрамдас бөлшектері сәйкес сандармен ерекшеленеді, мысалы, (3) .
	Позиция нөмірлері Шолу суретінде қолданылады және Өнімге шолу мақаласындағы шартты белгілердің нөмірлеріне сілтейді.
	Аталмыш белгілер өнімді қолдану барысында айрықша назарыңызды аудартады.

1.3 Өнімге қатысты белгілер

1.3.1 Өнімдегі белгілер

Өнімде төмендегі белгілер пайдаланылуы мүмкін:

	Өнім iOS және Android платформаларымен үйлесімді NFC технологиясын қолдайды.
	Литий-иондық аккумулятор
	Аккумуляторды еш жағдайда соқпа құрал ретінде пайдаланбаңыз.
	Аккумуляторды құлатып жібермеңіз. Соққы тиген немесе басқа жолмен зақымдалған аккумуляторды пайдаланбаңыз.



1.4 Өнім туралы ақпарат

өнімдері кәсіби пайдаланушыларға арналған және оларды тек қана өкілетті, білікті қызметкерлер пайдалануы, күтім және техникалық қызмет көрсетуі тиіс. Қызметкерлер қауіпсіздік техникасы бойынша арнайы нұсқау алуы керек. Өнім мен оның қосалқы құралдарын басқа мақсатта қолдану немесе олардың оқытылмаған қызметкерлердің тарапынан пайдалануы қауіпті.

Түр сипаттамасы мен сериялық нөмір фирмалық тақтайшада берілген.

- Сериялық нөмірді төмендегі кестеге көшіріп қойыңыз. Өнім туралы мәліметтерді өкілдігімізге немесе қызмет көрсету бөлімімізге сұрау беру арқылы алуға болады.

Өнім туралы мәліметтер

Рюкзак	NCV 10-22
Буын	01
Сериялық нөмір	

1.5 Сәйкестілік декларациясы

Өндіруші осы нұсқаулықта сипатталған өнімнің қолданыстағы заңнамаға және қолданыстағы стандарттарға сәйкес екендігін толық жауапкершілікпен жариялайды. Сәйкестілік декларациясының суреті осы құжаттаманың соңында орналасқан.

Техникалық құжаттама мына жерде сақталған:

Hilti Entwicklungsgesellschaft mbH | Zulassung Geräte | Hiltistraße 6 | 86916 Kaufering, DE

2 Қауіпсіздік

2.1 Қауіпсіздік техникасы бойынша нұсқаулар

ЕСКЕРТУ Бұл электр құралға арналған барлық қауіпсіздік нұсқауларын, нұсқауларды, суреттерді және техникалық деректерді оқып шығыңыз. Төменде берілген нұсқауларды орындамау электр тогының соғуына, өртке әкелуі мүмкін және/немесе ауыр жарақаттарды тудыруы мүмкін.

Қауіпсіздік бойынша барлық нұсқауларды және жалпы нұсқауларды келесі пайдаланушы үшін сақтаңыз.

- Өнімді және керек-жарақтарды тек техникалық мінсіз күйінде қолданыңыз.
- Өнімде немесе керек-жарақтарда ешқандай манипуляциялар не өзгерістер орындамаңыз.
- Құлап қалған құралдардан және/немесе керек-жарақтардан жарақат алу қаупі бар. Жұмысты бастамас бұрын аккумулятор мен қондырылған керек-жарақтың берік бекітілгеніне көз жеткізіңіз.
- Ұқыпты болыңыз, әрекеттеріңізге көңіл бөліңіз және электр құралымен жұмыс істеуге дұрыс қараңыз. Шаршаған кезде немесе есірткі, алкоголь не дәрі қабылдаған соң электр құралын қолданбаңыз. Электр құралын қолданған кездегі зейінсіздік ауыр жарақаттарға апарып соғуы мүмкін.
- Өнім мен керек-жарақты тек осы нұсқауларға сәйкес пайдаланыңыз. Бұл кезде жұмыс жағдайларын және орындалатын жұмыстың сипатын ескеріңіз. Электр құралдарын басқа мақсаттарда қолдану қауіпті жағдайларға әкелуі мүмкін.
- Электр құралдарына ұқыпты қараңыз. Айналымды бөліктердің мүлтіксіз қызмет ететінін, олардың жүрісінің жеңілдігін, барлық бөліктердің тұтастығын және электр құралдың жұмысына теріс әсер етуі мүмкін зақымдардың жоқтығын тексеріңіз. Аспаптың зақымдалған бөліктерін оны қолдану алдында жөндеуге өткізіңіз. Электр құралға техникалық қызмет көрсету ережелерін сақтамау көп сәтсіз жағдайлардың себебі болып табылады.
- **Өз мойныңызға қате қауіпсіздік сезімін алмаңыз және электр құралына арналған қауіпсіздік ережелерін бұзбаңыз, тіпті электр құралын жиі қолданатын тәжірибелі пайдаланушы болсаңыз.** Мұқиятсыз қолдану бірнеше секундта ауыр жарақаттануға апарып соғуы мүмкін.
- Өнімді су немесе басқа сұйықтықтың астына батырмаңыз.

Аккумуляторлық аспапты пайдалану және оған қарау

- **Аккумуляторды тек өндіруші ұсынған зарядтағыш құрылғылардың көмегімен зарядтаңыз.** Зарядтағыш құрылғыны тиісті емес аккумулятор түрлерін зарядтау үшін қолданғанда өрт туындауы мүмкін.
- **Аспаппен жұмыс істеу үшін тек тиісті аккумуляторларды қолданыңыз.** Басқа аккумуляторларды пайдалану жарақаттарға әкелуі және өрт тудыруы мүмкін.
- **Пайдаланылмайтын аккумуляторларды контакттардың тұйықталуының себебі болуы мүмкін скрепкалардан, тиындардан, кілттерден, инелерден, винттерден және басқа металл**



заттардан ары сақтаңыз. Аккумулятор контактарының тұйықталуы күйіктерге немесе тұтануға әкелуі мүмкін.

- ▶ **Аккумулятормен тиісті емес түрде жұмыс істегенде одан электролит ағып шығуы мүмкін. Оған тиюді болдырмаңыз. Кездейсоқ тигенде сумен шайыңыз. Электролит көзге тигенде дәрігер көмегіне жүгініңіз.** Аккумулятордан ағып шыққан электролит тері тітіркенуін немесе күйіктерді тудыруы мүмкін.
- ▶ **Зақымдалған не пішіні өзгертілген аккумуляторларды қолданбаңыз.** Зақымдалған не пішіні өзгертілген аккумуляторларды болжауға болмайды және олар өрт, жарылыс не жарақаттану қаупін тудырады.
- ▶ **Аккумуляторды өрт не жоғары температуралы аймақтардан алшақ ұстаңыз.** Өрт немесе 130 °C (265 °F) жоғары температуралар жарылыс тудыруы мүмкін.
- ▶ **Зарядтау үшін барлық нұсқауларды орындаңыз және аккумулятор не аккумуляторлық құралды ешқашан пайдалану бойынша нұсқаулықта берілген температура ауқымдарынан тыс зарядтамаңыз.** Қате зарядтау немесе рұқсатты температура ауқымдарынан тыс зарядтау аккумуляторды бұзуы және өрт қаупін арттыруы мүмкін.

2.2 Аккумулятормен дұрыс жұмыс істеу және оны дұрыс пайдалану

- ▶ **Литий-иондық аккумуляторларды пайдалану және күту бойынша төмендегі қауіпсіздік шараларын орындаңыз.** Нұсқауларды орындамау тері тітіркенуіне, ауыр тот басқыш жарақаттарға, химиялық күйіктерге, өртенуге және/немесе жарылысқа апарып соғуы мүмкін.
- ▶ Аккумуляторларды тек техникалық мінсіз күйінде қолданыңыз.
- ▶ Зақымдалуды болдырмау және денсаулыққа қатты зиян келтіре алатын сұйықтықтардың шығуына жол бермеу үшін аккумуляторларды абайлап қолданыңыз!
- ▶ Аккумуляторларды ешбір жағдайда модификациялауға немесе құрылымына өзгеріс енгізуге болмайды!
- ▶ Аккумуляторларды бөлшектеуге, қысуға, 80°C (176°F) шамасынан жоғары температураға дейін қыздыруға және жағуға тыйым салынады.
- ▶ Соққы тиген немесе басқаша зақымдалған аккумуляторларды пайдаланбаңыз немесе зарядтамаңыз. Аккумуляторларда зақымдалу белгілерінің бар-жоғын жүйелі түрде тексеріп тұрыңыз.
- ▶ Еш жағдайда қайта өңделген немесе жөнделген аккумуляторларды пайдаланбаңыз.
- ▶ Ешқашан аккумуляторды немесе аккумуляторлық электр құралын соқпа құрал ретінде пайдаланбаңыз.
- ▶ Аккумуляторларға ешқашан тікелей күн сәулесі, жоғары температура, ұшқын немесе ашық жалын әсерін тигізбеңіз. Бұл жарылысқа апарып соғуы мүмкін.
- ▶ Батарея полюсіне саусақпен, құралдармен, ешекеймен немесе басқа да электр тогын өткізетін бөгде заттармен тиеңіз. Бұл аккумуляторға зақым келтіруі, сондай-ақ мүлікке залал келтіруі және жарақат алуға әкелуі мүмкін.
- ▶ Аккумуляторларды жаңбыр, ылғал мен сұйықтықтарда алшақ ұстаңыз. Еніп кеткен ылғал қысқа тұйықталу, ток соғу, күйіп қалу, өртену және жарылыс қаупін тудыруы мүмкін.
- ▶ Тек осы аккумулятор түрі үшін көзделген зарядтағыш құрылғылар мен электр құралдарын пайдаланыңыз. Бұл ретте тиісті пайдалану бойынша нұсқаулықтардағы мәліметтерге назар аударыңыз.
- ▶ Аккумуляторды жарылғыш орталарда пайдаланбаңыз немесе сақтамаңыз.
- ▶ Егер тиген кезде аккумулятор тым ыстық болса, ол ақаулы болуы мүмкін. Аккумуляторды тұтанғыш материалдардан жеткілікті қашықтықта орналасқан, жақсы көрінетін, тұтанбайтын жерге қойыңыз. Аккумуляторды суытыңыз. Аккумулятор бір сағаттан кейін әлі де қолға ыстық болып тұрса, бұл оның ақаулы екендігін білдіреді. **Hilti** қызмет көрсету орталығына жолығыңыз немесе «Қауіпсіздік және **Hilti** Li-Ion аккумуляторын пайдалану бойынша нұсқаулар» атты құжатты оқып шығыңыз.



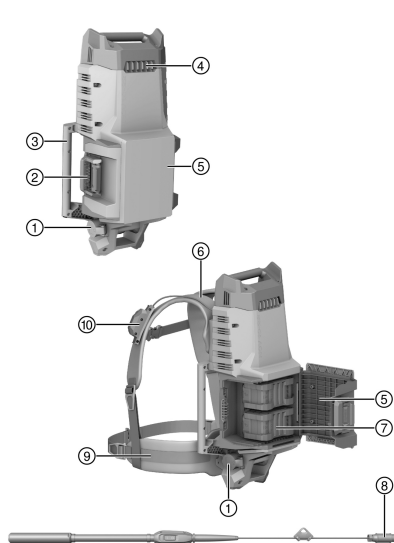
Литий-иондық аккумуляторларды тасымалдау, сақтау және пайдалану үшін қолданылатын арнайы директиваларды ескеріңіз. 96

Аталмыш пайдалану бойынша нұсқаулықтың соңындағы QR кодын сканерлеу арқылы табуға болатын **Hilti** Li-Ion аккумуляторларына арналған қауіпсіздік және пайдалану бойынша нұсқауларды оқып шығыңыз.



3 Сипаттама

3.1 Өнімге шолу



- ① Розетка
- ② Аккумулятор бөлімінің қысқышы
- ③ Тұтқыш
- ④ Желдету ойықтары
- ⑤ Аккумулятор бөлімінің қақпағы
- ⑥ Иық белдіктері
- ⑦ Аккумулятор
- ⑧ Ішкі дірілдеткіш
- ⑨ Бел буатын белдік
- ⑩ Басқару ауыстырып-қосқышы

3.2 Мақсатына сай қолдану

Сипатталған өнім арқаға асатын қуат көзі болып табылады. Қуат көзі В 22 сериялы **Hilti** Nuron Li-Ion аккумуляторларын энергия көзі ретінде орналастыру үшін қолданылады. Қуат көзі тек ішкі қозғалтқышы бар ішкі дірілдеткіштердің жұмысына арналған.

- Бұл өнім үшін тек В 22 сериялы **Hilti** Nuron Li-Ion аккумуляторларын пайдаланыңыз. **Hilti** компаниясы бұл өнім үшін оңтайлы қуатқа қол жеткізу мақсатында осы пайдалану бойынша нұсқаулықтың соңындағы кестеде көрсетілген аккумуляторларды пайдалануға кеңес береді.
- Бұл аккумуляторлар үшін тек осы пайдалану бойынша нұсқаулықтың соңындағы кестеде белгіленген серияларға жататын **Hilti** зарядтағыш құрылғыларын қолданыңыз.

3.3 Жеткізілім жинағы

Тасымалды қуат көзі, пайдалану бойынша нұсқаулық

Оған қоса өніміз үшін рұқсат етілген жүйелік өнімдерді **Hilti Store** дүкенінде немесе мына веб-сайттан табуға болады: www.hilti.group

3.4 Li-Ion аккумуляторының индикаторлары

Hilti Nuron Li-Ion аккумуляторларды аккумуляторлардың заряд деңгейін, ақаулық туралы хабарларын және күйін көрсете алады.

3.4.1 Заряд деңгейінің және ақаулық туралы хабарлардың индикаторлары

ЕСКЕРТУ

Жарақат алу қаупі аккумулятордың құлауынан!

- ▶ Аккумулятор енгізілген кезде, құлыптан босату түймесін басқаннан кейін аккумулятордың пайдаланылатын өнімге тиісінше бекітілгеніне көз жеткізіңіз.

Төмендегі индикация көрсеткіштерінің біріне қол жеткізу үшін аккумулятордың құлыптан босату түймесін қысқаша басыңыз.

Заряд деңгейі және ықтимал ақаулықтар жалғанған өнім қосылып тұрған кезде үздіксіз көрсетіледі.



Құралдың бөлшектері	Сипаттамасы
Төрт (4) жарық диоды жасыл түспен тұрақты жанып тұр	Заряд деңгейі: 100% және 71% аралығында
Үш (3) жарық диоды жасыл түспен тұрақты жанып тұр	Заряд деңгейі: 70% және 51% аралығында
Екі (2) жарық диоды жасыл түспен тұрақты жанып тұр	Заряд деңгейі: 50% және 26% аралығында
Бір (1) жарық диоды жасыл түспен тұрақты жанып тұр	Заряд деңгейі: 25% және 10% аралығында
Бір (1) жарық диоды жасыл түспен баяу жыпылықтайды	Зарядтау күйі: < 10%
Бір (1) жарық диоды жасыл түспен жылдам жыпылықтайды	Li-Ion аккумуляторының заряды толықтай таусылды. Аккумуляторды зарядтаңыз. Жарық диоды аккумуляторды зарядтағаннан кейін сонда да жылдам жыпылықтаса, Hilti қызмет көрсету орталығына хабарласыңыз.
Бір (1) жарық диоды сары түспен жылдам жыпылықтайды	Li-Ion аккумуляторы немесе оған байланысты өнімге артық жүктеме түсті, қатты қызып кетті немесе басқа ақаулық орын алды. Өнім мен аккумуляторды ұсынылған жұмыс температурасына жеткізіңіз және өнімді пайдаланған кезде оған артық жүктеме түсірмеңіз. Хабар көрсетіле берсе, Hilti қызмет көрсету орталығына хабарласыңыз.
Бір (1) жарық диоды сары түспен жанып тұр	Li-Ion аккумуляторы және оған қосылған өнім үйлесімді емес. Hilti қызмет көрсету орталығына хабарласыңыз.
Бір (1) жарық диоды қызыл түспен жылдам жыпылықтайды	Li-Ion аккумуляторы құлыптаулы және оны бұдан былай пайдалану мүмкін емес. Hilti қызмет көрсету орталығына хабарласыңыз.

3.4.2 Аккумулятор күйін көрсететін индикаторлар

Аккумулятордың күйін шақыру үшін құлыптан босату түймесін үш секундтан артық басып тұрыңыз. Жүйе құлату, тесу, сыртқы жылудан зақым келтіру және т.с.с. қате қолданудан туындаған батареяның ақаулығын анықтамайды.

Құралдың бөлшектері	Сипаттамасы
Барлық жарық диодтары жұмыс шамы ретінде жанады, содан кейін бір (1) жарық диоды жасыл түспен тұрақты жанады.	Аккумуляторды ары қарай пайдалануға болады.
Барлық жарық диодтары жұмыс шамы ретінде жанады, содан кейін бір (1) жарық диоды сары түспен жылдам жыпылықтайды.	Аккумулятор күйі туралы сұрауды орындау мүмкін болмады. Әрекетті қайталаңыз немесе Hilti қызмет көрсету орталығына жолығыңыз.
Барлық жарық диодтары жұмыс шамы ретінде жанады, содан кейін бір (1) жарық диоды қызыл түспен тұрақты жанады.	Жалғанған өнімді ары қарай пайдалану мүмкін болса, бұл қалған аккумулятор қуатының 50% шамасынан төмен болғанын білдіреді. Жалғанған өнімді ары қарай пайдалану мүмкін болмаса, бұл аккумулятордың қызмет ету мерзімі аяқталғанын және оны алмастыру керек екендігін білдіреді. Hilti қызмет көрсету орталығына хабарласыңыз.

4 Техникалық сипаттамалар

Жүйенің шығыс қуаты	42,4 В, 3РД, 200 Гц~, 1000 Вт
Қорғау класы	IP X4



Жұмыс кезіндегі қоршаған орта температурасы	-17 °C ... 40 °C
Сақтау температурасы	-20 °C ... 70 °C

4.1 Аккумулятор

Аккумулятордың жұмыс кернеуі	21,6 В
Аккумулятор салмағы	Осы пайдалану бойынша нұсқаулықтың соңында қараңыз
Жұмыс кезіндегі қоршаған орта температурасы	-17 °C ... 60 °C
Сақтау температурасы	-20 °C ... 40 °C
Зарядтаудың басындағы аккумулятор температурасы	-10 °C ... 45 °C

5 Жұмысқа дайындық

ЕСКЕРТУ

Жарақат алу қаупі абайсыздан қосылу себебінен!

- ▶ Аккумуляторды орнату алдында оған қатысты өнімнің өшірілгеніне көз жеткізіңіз.
- ▶ Аспап реттеулерін орындау немесе қосалқы бөлшектерді алмастыру алдында аккумуляторды шығарыңыз.

Осы құжаттамадағы және өнімдегі қауіпсіздік және ескерту нұсқауларын орындаңыз.

5.1 Аккумуляторды зарядтау

1. Зарядтау алдында зарядтағыш құрылғының пайдалану бойынша нұсқаулығын оқып шығыңыз.
2. Аккумулятордағы және зарядтағыш құрылғыдағы контактілердің таза әрі құрғақ екендігіне көз жеткізіңіз.
3. Аккумуляторды рұқсат етілген зарядтағыш құрылғы ішінде зарядтаңыз. 92

5.2 Аккумуляторды орнату

ЕСКЕРТУ

Жарақат алу қаупі қысқа тұйықталудан немесе аккумулятордың құлауынан!

- ▶ Аккумуляторды орнату алдында аккумулятор контактілерінде және өнімдегі контактілерде бөгде заттардың жоқтығына көз жеткізіңіз.
- ▶ Аккумулятордың әркез дұрыс орнатылғанына көз жеткізіңіз.

1. Аккумуляторды алғаш рет іске қоспас бұрын зарядтаңыз.
2. Аккумулятор бөлімінің қақпағын ашыңыз.
3. Аккумуляторды өнімге шерту дыбысымен тірелгенше кіргізіңіз.
4. Аккумулятордың аспапқа берік бекітілгенін тексеріңіз.
5. Әрекетті екінші аккумулятор үшін қайталаңыз.
6. Аккумулятор бөлімінің қақпағын жабыңыз.

5.3 Аккумуляторды шығару

1. Аккумулятор бөлімінің қақпағын ашыңыз.
2. Аккумулятордың құлыптан босату түймесін басыңыз.
3. Аккумуляторды өнімнен шығарыңыз.
4. Әрекетті екінші аккумулятор үшін қайталаңыз.
5. Аккумулятор бөлімінің қақпағын жабыңыз.

6 Қызмет көрсету

Осы құжаттамадағы және өнімдегі қауіпсіздік және ескерту нұсқауларын орындаңыз.



6.1 Тасымалды қуат көзін тағу 2, 3, 4, 5, 6, 7

1. Өнімді рюкзак секілді шешіп киіп алыңыз. Қолыңызды иық белдіктері арқылы өткізіп, иық белдіктерін иығыңызға орналастырыңыз.
2. Бел буатын белдіктің қысқышын жабыңыз.
3. Бел буатын белдікті реттеп шығыңыз.
 - ▶ Бел буатын белдікті босату үшін белдік қысқыштарын еңкейтіңіз.
 - ▶ Бел буатын белдікті керу үшін оның әр ұшын алға тартыңыз.
4. Кеуде белдігінің қысқышын жабыңыз.
5. Кеуде белдігін реттеп шығыңыз.
6. Иық белдіктерін реттеп шығыңыз.
 - ▶ Иық белдіктерін босату үшін белдік қысқыштарын еңкейтіңіз.
 - ▶ Иық белдіктерін керу үшін белдік ұштарын төмен тартыңыз.

6.2 Ішкі дірілдеткішті жалғау 3

1. Розетка қақпағын ашыңыз.
2. Ішкі дірілдеткіштің желілік кабель ашасын розеткаға салыңыз.
3. Керілісті босату тетігін бел буатын белдікке іліңіз.

6.3 Розетканы іске қосу 3

- ▶ Розеткаға қуат берілуін қамтамасыз ету үшін басқару ауыстырып-қосқышын іске қосыңыз.
 - ▶ Жасыл жарық диоды розетканың іске қосылғанын білдіреді.
 - ▶ Қызғылт сары жарық диоды аккумулятор зарядының төмен екенін білдіреді.

6.4 Ішкі дірілдеткішті басқару

- ▶ Жалғанған ішкі дірілдеткішті басқару үшін оның пайдалану бойынша нұсқаулығын оқып шығыңыз.

6.5 Розетканы ажырату 3

Ішкі дірілдеткішпен жұмыс істеуді реттеу кезінде әрдайым **NCV 10-22** құрылғысының розеткасын да ажыратыңыз.

- ▶ Розеткаға қуат берілуін өшіру үшін басқару ауыстырып-қосқышын ажыратыңыз.
 - ▶ Жарық диодтары сөнеді.



NCV 10-22 құрылғысының розеткасы 30 минуттық пайдаланбау мерзімінен кейін автоматты түрде ажыратылады.

7 Күтім және техникалық қызмет көрсету



ЕСКЕРТУ

Аккумулятор өнгізілген кезде жарақат алу қаупі бар !

- ▶ Күтім және техникалық қызмет көрсету бойынша кез келген жұмыстарды орындамас бұрын әрдайым аккумуляторды шығарыңыз!

Өнімге қызмет көрсету

- Қатты жабысып қалған кірді абайлап кетіріңіз.
- Бр болса, желдету саңылауларын құрғақ, жұмсақ қылшақпен мұқият тазалаңыз.
- Корпусты сәл суланған шүберекпен ғана тазалаңыз. Ешқандай силикон қамтитын күтім құралдарын пайдаланбаңыз, себебі олар пластик бөлшектерге зақым келтіруі мүмкін.
- Өнімнің контактілерін тазалау үшін таза, құрғақ шүберекті қолданыңыз.

Литий-иондық аккумуляторға қызмет көрсету

- Еш жағдайда желдету саңылаулары бітелген аккумуляторды қолданбаңыз. Желдету саңылауларын құрғақ, жұмсақ қылшақпен жақсылап тазалаңыз.



- Аккумуляторға шаңның немесе кірдің қажетсіз тиюіне жол бермеңіз. Аккумуляторға қатты ылғалдың тиюіне ешқашан жол бермеңіз (мысалы, суға батыру немесе жаңбыр астына қою арқылы). Аккумулятор су болса, оны зақымдалған аккумулятор ретінде қарастырыңыз. Оны тұтанбайтын контейнерге оқшаулап, **Hilti** қызмет көрсету орталығына хабарласыңыз.
- Аккумуляторды бөгде май мен майлағыштан таза ұстаңыз. Аккумуляторда шаң не кірдің қажетсіз жиналуына жол бермеңіз. Аккумуляторды құрғақ, жұмсақ қылшақпен немесе таза, құрғақ шүберекпен тазалаңыз. Ешқандай силикон қамтитын күтім құралдарын пайдаланбаңыз, себебі олар пластик бөлшектерге зақым келтіре алады. Аккумулятордың контактілеріне тиіменіз және зауыттан тыс қолданылған майды контактілерден кетіріңіз.
- Корпусты сәл суланған шүберекпен ғана тазалаңыз. Ешқандай силикон қамтитын күтім құралдарын пайдаланбаңыз, себебі олар пластик бөлшектерге зақым келтіруі мүмкін.

Техникалық қызмет көрсету

- Көзге көрінетін барлық бөлшектерде зақымдардың бар-жоғын және басқару элементтерінің ақаусыз жұмысын жиі тексеріп тұрыңыз.
- Өнім зақымдалған және/немесе ақаулы болған жағдайда, оны пайдаланушы болмаңыз. Өнімді міндетті түрде **Hilti** қызмет көрсету орталығында жөндеңіз.
- Күтім және техникалық қызмет көрсету жұмыстарынан кейін барлық қорғауш құрылғыларды орнатып, олардың ақаусыз жұмыс істегенін тексеріңіз.



Қауіпсіз жұмысты қамтамасыз ету үшін тек түпнұсқа қосалқы бөлшектер мен шығын материалдарын қолданыңыз. **Hilti** мақұлдаған қосалқы бөлшектер, шығын материалдары мен өнімге арналған керек-жарақтар **Hilti Store** дүкенінде немесе келесі веб-сайтта қолжетімді: www.hilti.group

8 Аккумуляторлық құралдар мен аккумуляторларды тасымалдау және сақтау

Тасымалдау

АБАЙЛАҢЫЗ

Тасымалдау кезіндегі кенет іске қосылу !

- ▶ Өніміңізді әрдайым аккумуляторын шығарып алып тасымалдаңыз!
- ▶ Аккумулятор(лар)ды шығарыңыз.
- ▶ Аккумуляторларды ешқашан үймеде тасымалдамаңыз. Тасымалдау барысында аккумуляторларды шамадан артық соққы мен дірілден қорғау және олардың басқа батарея полустерімен жанасуына және қысқа тұйықталудың туындауына жол бермеу үшін кез келген ток өткізгіш материалдардан немесе басқа аккумуляторлардан оқшаулау керек. **Аккумуляторларға арналған жергілікті тасымалдау ережелерін сақтаңыз.**
- ▶ Аккумуляторларды поштамен жіберуге болмайды. Зақымдалмаған аккумуляторларды жіберу қажет болғанда, жеткізуші кәсіпорындарға хабарласыңыз.
- ▶ Өнім мен аккумуляторларды әр пайдаланбас бұрын және ұзақ уақыт бойы тасымалдағаннан кейін зақымдардың бар-жоғын тексеріп шығыңыз.

Сақтау

ЕСКЕРТУ

Бүлінген немесе заряды таусылған аккумуляторлардан күтілмеген зақымдалу !

- ▶ Өніміңізді әрдайым аккумуляторын шығарып алып сақтаңыз!
- ▶ Өнім мен аккумуляторларды салқын және құрғақ жерде сақтаңыз. Техникалық деректерде көрсетілген температураның шектік мәндерін ескеріңіз.
- ▶ Аккумуляторларды зарядтағыш құрылғыда сақтамаңыз. Аккумуляторды зарядтағаннан кейін әрдайым зарядтағыш құрылғыдан шығарыңыз.
- ▶ Аккумуляторларды еш жағдайда күн мен жылу көздерінің астында немесе шыны әйнек артында сақтамаңыз.
- ▶ Өнім мен аккумуляторларды балалар мен рұқсаты жоқ адамдардың қолы жетпейтін жерде сақтаңыз.
- ▶ Өнім мен аккумуляторларды әр пайдаланбас бұрын және ұзақ уақыт бойы сақтағаннан кейін зақымдардың бар-жоғын тексеріп шығыңыз.



9 Ақаулардағы көмек

Кез келген ақаулар орын алған жағдайда, аккумулятордың заряд деңгейі мен ақау индикаторына назар аударыңыз. **Li-Ion аккумуляторының индикаторлары** ін қараңыз.

Бұл кестеде келтірілмеген немесе өзіңіз түзете алмайтын ақаулар орын алғанда, **Hilti** қызмет көрсету орталығына хабарласыңыз.

Ақаулық	Ықтимал себеп	Шешім
Аккумулятор естілетін шырт ету дыбысымен бекітілмейді.	Аккумулятордағы бекіткіш тілшік ластанған.	► Тіреуіш шығыңқы жерін тазалаңыз және аккумуляторды қайтадан салыңыз.
Өнім іске қосылмайды.	Аккумулятор заряды бос.	► Аккумуляторды алмастырып, бос аккумуляторды зарядтаңыз.
	Аккумулятор толығымен салынбаған.	► Аккумуляторды шерту дыбысы естілгенше бекітіңіз.

10 Кәдеге жарату

ЕСКЕРТУ

Қате жолмен кәдеге жаратудан жарақат алу қаупі бар! Газдардың немесе сұйықтықтардың шығуынан денсаулыққа зиян келтіру қаупі бар.

- Зақымдалған аккумуляторларды жіберуге немесе жөнелтуге болмайды!
- Қысқа тұйықталуға жол бермеу үшін, қосылымдарды ток өткізбейтін материалмен жауып қойыңыз.
- Аккумуляторларды балалардың қолына жетпейтіндей етіп кәдеге жаратыңыз.
- Аккумуляторды **Hilti Store** дүкенінде кәдеге жаратыңыз немесе жергілікті кәдеге жарату кәсіпорнына хабарласыңыз.

Hilti өнімдері қайта өңдеу үшін жарамды көптеген материалдардың санынан тұрады. Кәдеге жарату алдында материалдарды мұқият сұрыптау керек. Көптеген елдерде **Hilti** компаниясы ескі аспаптарды кәдеге жарату үшін қабылдайды. **Hilti** қызмет көрсету орталығынан немесе дилерден сұраңыз.



- Электр құралдарды, электрондық құрылғылар мен аккумуляторларды тұрмыстық қоқыспен бірге тастамаңыз!

11 Өндіруші кепілдігі

- Кепілдік шарттары туралы сұрақтарыңыз болса, жергілікті **Hilti** серіктесіне жолығыңыз.

12 Қосымша ақпарат

Басқару, техника, қоршаған орта және қайта өңдеу туралы қосымша ақпаратты мына сілтеме бойынша қараңыз: qr.hilti.com/manual/?id=2370140&id=2370142

Бұл сілтеме пайдалану бойынша нұсқаулықтың соңында QR коды ретінде қолжетімді.


Оrijinal kullanım kılavuzu

1 Kullanım kılavuzu bilgileri

1.1 Bu kullanım kılavuzu hakkında

- **İkaz!** Ürünü kullanmadan önce, talimatlar, güvenlik ve uyarı bilgileri, çizimler ve teknik özellikler dahil olmak üzere ürünle birlikte verilen kullanım kılavuzunu okuduğunuzdan emin olunuz. Özellikler tüm talimatları, güvenlik ve uyarı bilgilerini, çizimleri, teknik özellikleri ve bileşenleri ve fonksiyonları öğreniniz. Aksi takdirde elektrik çarpması, yangın ve/veya ciddi yaralanma tehlikesi meydana gelebilir. Tüm talimatlar, güvenlik ve uyarı bilgileri dahil olmak üzere kullanım kılavuzunu daha sonra kullanmak üzere saklayınız.



- **HILTI** ürünleri profesyonel kullanıcıların kullanımı için öngörülmüştür ve sadece yetkili personel tarafından kullanılabilir ve bakımı yapılabilir. Bu personel, meydana gelebilecek tehlikeler hakkında özel olarak eğitim görmüş olmalıdır. Aletin ve ilgili yardımcı gereçlerin eğitimsiz personel tarafından usulüne uygun olmayan şekilde kullanılması ve amaçları dışında çalıştırılması sonucu tehlikeli durumlar söz konusu olabilir.
- Ekteki kullanım kılavuzu, basım tarihindeki mevcut gelişmiş teknolojiye uygundur. En son sürümü her zaman Hilti ürün sayfasında bulabilirsiniz. Bunu yapmak için, bu kullanım kılavuzundaki  sembolü ile işaretlenmiş bağlantıyı veya QR kodunu kullanınız.
- Ürünü başkalarına sadece bu kullanım kılavuzuyla birlikte veriniz.

1.2 Resim açıklaması

1.2.1 Uyarı bilgileri

Uyarı bilgileri, ürün ile çalışırken ortaya çıkabilecek tehlikelere karşı uyarır. Aşağıdaki uyarı metinleri kullanılır:

TEHLİKE

TEHLİKE !

- ▶ Ağır vücut yaralanmalarına veya doğrudan ölüme sebep olabilecek tehlikeler için.

İKAZ

İKAZ !

- ▶ Ağır yaralanmalara veya ölüme neden olabilecek tehlikeler için.







DİKKAT

DİKKAT !

- ▶ Vücut yaralanmalarına veya maddi hasarlara yol açabilecek olası tehlikeli durumlar için.





1.2.2 Kullanım kılavuzundaki semboller

Bu kullanım kılavuzunda aşağıdaki semboller kullanılmıştır:

	Kullanım kılavuzuna dikkat edilmelidir
	Kullanım uyarıları ve diğer gerekli bilgiler
	Geri dönüşümlü malzemeler ile çalışma
	Elektrikli aletleri ve aküleri evdeki çöplere atmayınız
	Hilti Lityum İyon akü
	Hilti şarj cihazı

1.2.3 Çizimlerdeki semboller

Çizimlerde aşağıdaki semboller kullanılmıştır:




	Bu sayılar, kullanım kılavuzunun başlangıcındaki ilgili çizime atanmıştır.
	Çizimlerdeki numaralandırma, önemli çalışma adımlarını veya çalışma adımları için önemli olan yapı parçalarını gösterir. Metinde, bu çalışma adımları veya yapı parçasına karşılık gelen sayılarla vurgulanmıştır, örn. (3) .
	Pozisyon numaraları Genel bakış çiziminde kullanılır ve Ürüne genel bakış bölümündeki açıklama numaralarına referans niteliğindedir.
	Bu işaret, ürün ile çalışırken dikkatinizi çekmek için koyulmuştur.

1.3 Ürün ile ilgili semboller

1.3.1 Üründeki semboller

Üründe aşağıdaki semboller kullanılabilir:



	Ürün, iOS ve Android platformları ile uyumlu NFC teknolojisini destekler.
Li-Ion	Lityum İyon akü
	Aküyü asla darbe aleti olarak kullanmayınız.
	Aküyü düşürmeyiniz. Darbe almış veya hasar görmüş bir aküyü kullanmayınız.

1.4 Ürün bilgileri

HILTI ürünleri profesyonel kullanıcıların kullanımı için öngörülmüştür ve sadece yetkili personel tarafından kullanılabilir ve bakımı yapılabilir. Bu personel, meydana gelebilecek tehlikeler hakkında özel olarak eğitim görmüş olmalıdır. Aletin ve ilgili yardımcı gereçlerin eğitimsiz personel tarafından usulüne uygun olmayan şekilde kullanılması ve amaçları dışında çalıştırılması sonucu tehlikeli durumlar söz konusu olabilir. Tip tanımı ve seri numarası, tip plakası üzerinde belirtilmiştir.

- Seri numarasını aşağıdaki tabloya aktarınız. Ürün bilgileri acente veya servis merkezini aradığınızda sorulabilir.

Ürün bilgileri

Sırt çantası	NCV 10-22
Nesil	01
Seri no.	

1.5 Uygunluk beyanı

Üretici burada tanımlanan ürünün geçerli yasalara ve standartlara uygun olduğunu kendi sorumluluğunda beyan eder. Bu dokümanın sonunda uygunluk beyanının bir kopyasını bulabilirsiniz.

Teknik dokümantasyonlar eklidir:

Hilti Entwicklungsgesellschaft mbH | Zulassung Geräte | Hiltistraße 6 | 86916 Kaufering, DE

2 Güvenlik

2.1 Güvenlik uyarıları

⚠ DİKKATBu elektrikli el aletine yönelik tüm güvenlik uyarılarını, talimatları, resimli açıklamaları ve teknik verileri dikkatlice okuyunuz. Aşağıdaki talimatlara uyulmaması durumunda elektrik darbesi, yangın ve/veya ağır yaralanmalar söz konusu olabilir.

Tüm güvenlik uyarılarını ve kullanım talimatlarını muhafaza ediniz.

- Ürünü ve aksesuarı sadece teknik açıdan sorunsuz durumdayken kullanınız.
- Ürün veya aksesuar üzerinde asla manipülasyon veya değişiklik yapılmamalıdır.
- Aletlerin ve/veya aksesuarların düşmesi nedeniyle yaralanma tehlikesi. Çalışmaya başlamadan önce akünün monte edilmiş olan aksesuarın emniyetli bir şekilde sabitlenip sabitlenmediğini kontrol ediniz.
- Dikkatli olunuz, ne yaptığınızı dikkat ediniz ve elektrikli el aleti ile mantıklı bir şekilde çalışınız. Yorgunsanız veya uyuşturucu, alkol veya ilaç etkisi altında olduğunuzda elektrikli el aleti kullanmayınız. Elektrikli el aletini kullanırken bir anlık dikkatsizlik ciddi yaralanmalara neden olabilir.
- Ürünü ve aksesuarları sadece bu talimatlara uygun olarak kullanınız. Çalışma şartlarını ve yapılacak işi de ayrıca göz önünde bulundurun. Elektrikli el aletlerinin öngörülen kullanımı dışında diğer kullanımı tehlikeli durumlara yol açabilir.
- Elektrikli el aletlerinin bakımını titizlikle yapınız. Hareketli parçaların kusursuz çalıştığı ve sıkışmadığı, parçaların kırılıp kırılmadığı veya hasar görüp görmediği, elektrikli el aleti fonksiyonlarının kısıtlanma durumlarını kontrol ediniz. Hasarlı parçaları aleti kullanmadan önce tamir ettiriniz. Birçok kazanım nedeni bakımını kötü yapılan elektrikli el aletleridir.
- **Kendi güvenliğinizi riske atmayınız ve elektrikli el aletleri kullanımında son derece tecrübeli olsanız bile ilgili güvenlik kurallarını ihlal etmeyiniz.** Dikkatsiz kullanım saniyeler içerisinde ciddi yaralanmalara neden olabilir.
- Ürünü suya veya başka bir sıvıya daldırmayınız.



Akülü el aletin kullanımı ve çalıştırılması

- ▶ **Aküleri sadece üretici tarafından tavsiye edilen şarj cihazları ile şarj ediniz.** Belirli bir akü için uygun olan bir şarj cihazı, başka akülerle kullanılırsa yanma tehlikesi vardır.
- ▶ **Elektrikli el aletlerinde sadece bunun için öngörülen aküler kullanılmalıdır.** Başka akülerin kullanılması yaralanmalara ve yanma tehlikelerine yol açabilir.
- ▶ **Kullanılmayan aküleri, kontakların köprülenmesine sebep olabilecek ataçlar, madeni paralar, anahtarlar, civiler, vidalar veya diğer küçük metal cisimlerden uzak tutunuz.** Akü kontakları arasındaki kısa devre yanmalara veya alev oluşumuna sebep olabilir.
- ▶ **Yanlış kullanımda aküden sıvı çıkabilir. Bunlar ile temas önleyiniz. Yanlışlıkla temasta su ile durulayınız. Sıvı gözlerle temas ederse ayrıca doktor yardımı isteyiniz.** Dışarı akan akü sıvısı cilt tahrişine ve yanmalarına yol açabilir.
- ▶ **Hasarlı veya değiştirilmiş aküleri kullanmayınız.** Hasarlı veya değiştirilmiş aküler öngörülemeden şekilde yangın, patlama veya yaralanma tehlikesi içeren tutumlara neden olabilir.
- ▶ **Aküleri açık ateş yakınına koymayınız veya yüksek sıcaklıklara maruz bırakmayınız.** Açık ateş veya 130 °C'nin (265 °F) üzerinde sıcaklıklar patlama tehlikesine neden olabilir.
- ▶ **Tüm şarj talimatlarına uyunuz ve aküyü veya akülü aleti kullanım kılavuzunda öngörülen sıcaklık aralığının dışında şarj etmeyiniz.** Hatalı şarj veya öngörülen sıcaklık aralığının dışındaki şarj işlemleri akünün zarar görmesine ve yangın tehlikesine neden olabilir.

2.2 Akülü aletlerin özenli çalıştırılması ve kullanımı

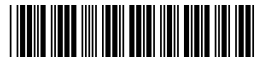
- ▶ **Lityum İyon akülerin kullanılması sırasında aşağıda belirtilen güvenlik uyarılarını dikkate alınız.** Bunlara dikkate alınmaması ciltte tahrişlere, ağır korozif yaralanmalara, kimyasal yanıklara, yangın ve / veya patlamalara neden olabilir.
- ▶ Aküyü sadece teknik olarak kusursuz durumdayken kullanınız.
- ▶ Hasarları önlemek için ve sağlığa ciddi zarar verici sıvıları engellemek için aküleri itinalı davranınız!
- ▶ Akülere asla müdahale edilmemeli ve üzerlerinde onarım yapılmamalıdır!
- ▶ Aküler parçalarına ayrılmamalı, ezilmemeli, 80° C (176° F) üzerine ısıtılmamalı veya yakılmamalıdır.
- ▶ Darbeye maruz kalmış veya başka bir hasar görmüş aküleri kullanmayınız. Akülerinizi hasar belirtilerine karşı düzenli olarak kontrol ediniz.
- ▶ Geri dönüştürülmüş veya onarılmış aküleri asla kullanmayınız.
- ▶ Aküyü veya aküyle çalışan bir elektrikli el aletini asla bir şeyi çakmak veya bir şeye vurmamak için kullanmayınız.
- ▶ Aküleri asla doğrudan güneş ışığına, aşırı sıcaklık, kıvılcım veya açık ateşe maruz bırakmayınız. Bu durum patlamalara neden olabilir.
- ▶ Akünün kutbuna parmaklarınız, aletler, takılar veya diğer elektriksiz olarak iletken nesnelere dokunmayınız. Bu durum aküye hasar verebilir, maddi hasarlara ve yaralanmalara neden olabilir.
- ▶ Aküleri yağmurdan, ıslaklıktan ve sıvılardan uzak tutunuz. Akülerin içine nemin girmesi, kısa devrelere, elektrik çarpmalarına, yanıklara, yangına veya patlamalara neden olabilir.
- ▶ Sadece akü tipi için öngörülmüş olan şarj cihazlarını ve elektrikli el aletlerini kullanınız. Bunun için ilgili kullanım kılavuzlarındaki verileri dikkate alınız.
- ▶ Aküyü patlama tehlikesi olan ortamlarda kullanmayınız veya depolamayınız.
- ▶ Akü tutulamayacak kadar sıcaksa arızalı olabilir. Pili, yanıcı malzemelere yeterli mesafede, görünür ve yanıcı olmayan bir yere yerleştiriniz. Aküyü soğumaya bırakınız. Akü bir saat sonra hala dokunulamayacak kadar sıcaksa, arızalı demektir. **Hilti** servisiyle irtibat kurunuz veya "**Hilti** Lityum İyon aküler için güvenlik ve kullanım uyarıları" dokümanını okuyunuz.



Lityum İyon aküleri taşıma, depolama ve kullanma için geçerli özel yönetmelikleri dikkate alınız.

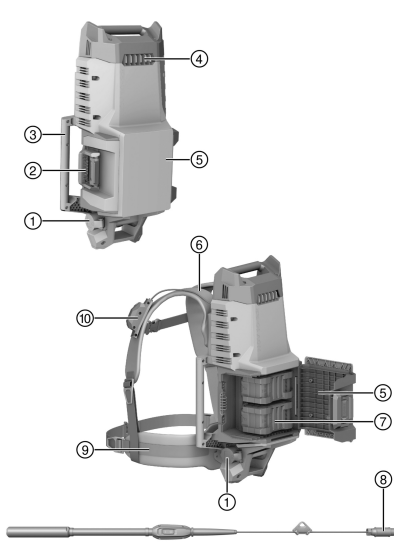
105

Bu kullanım kılavuzunun sonundaki QR kodu tarayarak ulaşabileceğiniz, **Hilti** Lityum İyon aküler için güvenlik ve kullanım uyarılarını okuyunuz.



3 Tanımlama

3.1 Ürüne genel bakış



- ① Priz
- ② Akü yuvası kapatma kısıkaçı
- ③ Tutamak
- ④ Havalandırma delikleri
- ⑤ Akü yuvası kapağı
- ⑥ Omuz kayışları
- ⑦ Akü
- ⑧ Dalgıç beton karıştırıcı
- ⑨ Kalça kayışı
- ⑩ İşletim şalteri

3.2 Usulüne uygun kullanım

Tanımlanan ürün, sırtta takılabilen bir güç kaynağıdır. Güç kaynağı, B 22 serisi **Hilti** Nuron Li-Ion aküleri güç kaynağı olarak kullanmak için kullanılır. Güç kaynağı sadece dahili motorlu dalgıç beton karıştırıcıların çalışması için tasarlanmıştır.

- Bu ürün için sadece B 22 tip serisi **Hilti** Nuron Lityum İyon aküleri kullanınız. Optimum performans için **Hilti**, bu ürüne yönelik olarak bu kullanım kılavuzunun sonundaki tabloda belirtilen akülerin kullanılmasını önerir.
- Bu aküler için sadece **Hilti** şarj cihazlarının bu kullanım kılavuzunun sonundaki tabloda belirtilen tip serilerini kullanınız.

3.3 Teslimat kapsamı

Taşınabilir güç kaynağı, kullanım kılavuzu

Ürün için izin verilen diğer sistem ürünlerini **Hilti Store**'da veya şu adreste bulabilirsiniz: www.hilti.group

3.4 Lityum İyon akü göstergeleri

Hilti Nuron Lityum İyon aküler şarj durumunu, hata mesajlarını ve akünün durumunu gösterebilir.

3.4.1 Şarj durumu ve hata mesajları göstergeleri



İKAZ

Düşen akü nedeniyle yaralanma tehlikesi!

- Akü takılıken, kilit açma tuşuna bastıktan sonra, kullandığınız üründe akünün yerine oturduğundan emin olunuz.

Aşağıdaki göstergelerden birini görüntülemek için akünün kilit açma tuşuna kısa süreli basınız.

Bağlı olan ürün açık olduğu sürece, şarj durumu ve olası arızalar da sürekli görüntülenir.

Durum	Anlamı
Dört (4) LED sürekli yeşil yanıyor	Şarj durumu: % 100 ila % 71 arası
Üç (3) LED sürekli yeşil yanıyor	Şarj durumu: % 70 ila % 51 arası



2370142

Türkçe

101

Durum	Anlamı
İki (2) LED sürekli yeşil yanıyor	Şarj durumu: % 50 ila % 26 arası
Bir (1) LED sürekli yeşil yanıyor	Şarj durumu: % 25 ila % 10 arası
Bir (1) LED yavaşça yeşil renkte yanıp sönüyor	Şarj durumu: < % 10
Bir (1) LED hızlıca yeşil yanıp sönüyor	Lityum İyon akü tamamen deşarj olmuş. Aküyü şarj ediniz. Akünün şarj işleminden sonra LED hala hızlı yanıp sönüyorsa, lütfen Hilti servisiyle irtibat kurunuz.
Bir (1) LED hızlıca sarı yanıp sönüyor	Lityum İyon akü veya buna bağlı ürün aşırı yüklendi, çok sıcak, çok soğuk veya başka bir hata mevcut. Ürünü ve aküyü önerilen çalışma sıcaklığına getiriniz ve kullanırken ürünü aşırı yüke maruz bırakmayınız. Mesaj devam ediyorsa Hilti servisiyle irtibat kurunuz.
Bir (1) LED sarı yanıyor	Lityum İyon akü ve bağlantılı ürün uyumlu değildir. Lütfen Hilti servisine başvurunuz.
Bir (1) LED hızlıca kırmızı yanıp sönüyor	Lityum İyon akü bloke olmuş ve kullanılamaz. Lütfen Hilti servisine başvurunuz.

3.4.2 Akü durumunun göstergeleri

Akü durumunu sorgulamak için, kilit açma tuşuna üç saniyeden fazla basılı tutunuz. Sistem; düşme, delinme, harici ısı hasarları vb. gibi usulüne uygun olmayan kullanım nedeniyle pilde potansiyel hatalı fonksiyon algılamıyor.

Durum	Anlamı
Tüm LED'ler çalışma ışığı olarak yanıyor ve ardından bir (1) LED sürekli yeşil yanıyor.	Akü kullanımına devam edilebilir.
Tüm LED'ler çalışma ışığı olarak yanıyor ve ardından bir (1) LED hızlıca sarı yanıp sönüyor.	Akünün durumuna ilişkin sorgu tamamlanmadı. İşlemi tekrarlayınız veya Hilti servisiyle irtibat kurunuz.
Tüm LED'ler çalışma ışığı olarak yanıyor ve ardından bir (1) LED sürekli kırmızı yanıyor.	Bağlı bir ürünün kullanımına devam edilebiliyorsa, kalan akü kapasitesi %50'nin altındadır. Bağlı bir ürünün kullanımına devam edilemiyorsa, akünün kullanım ömrü dolmuştur ve akü değiştirilmelidir. Lütfen Hilti servisine başvurunuz.

4 Teknik veriler

Çıkış gücü sistemi	42,4 V, 3PΔ, 200 Hz~, 1000 W
Koruma türü	IP X4
İşletim sırasındaki ortam sıcaklığı	-17 °C ... 40 °C
Depolama sıcaklığı	-20 °C ... 70 °C

4.1 Akü

Akü çalışma gerilimi	21,6 V
Akü ağırlığı	Bu kullanım kılavuzunun sonuna bakınız
İşletim sırasındaki ortam sıcaklığı	-17 °C ... 60 °C
Depolama sıcaklığı	-20 °C ... 40 °C
Şarj başlangıcında akü sıcaklığı	-10 °C ... 45 °C



5 Çalışma hazırlığı

⚠ İKAZ

Yaralanma tehlikesi kazara çalışmaya başlama nedeniyle!

- ▶ Aküyü takmadan önce ilgili ürünün kapalı konumda olduğundan emin olunuz.
- ▶ Cihazın ayarlarını yapmadan veya aksesuarları değiştirmeden önce aküyü çıkartınız.

Bu dokümanda ve ürün üzerinde bulunan güvenlik ve uyarı bilgilerine dikkat ediniz.

5.1 Akünün şarj edilmesi

1. Şarj etmeden önce şarj cihazının kullanım kılavuzunu okuyunuz.
2. Akü ve şarj cihazının kontaklarının temiz ve kuru olmasına dikkat ediniz.
3. Aküyü izin verilen şarj cihazında şarj ediniz. 📖 101

5.2 Akünün yerleştirilmesi

⚠ İKAZ

Yaralanma tehlikesi kısa devre veya akünün düşmesi nedeniyle!

- ▶ Aküyü yerleştirmeden önce, akü kontaklarında ve ürün içindeki kontaklarda yabancı cisim bulunmadığından emin olunuz.
- ▶ Akünün her zaman tam oturduğundan emin olunuz.

1. İlk çalıştırma öncesinde akü tamamen şarj edilmelidir.
2. Akü yuvasının kapağını açınız.
3. Bir aküyü ürüne, duyulur şekilde yerine oturana kadar itiniz.
4. Akünün alette emniyetli bir şekilde yerleşip yerleşmediğini kontrol ediniz.
5. İkinci akü için işlemi tekrarlayınız.
6. Akü yuvasının kapağını kapatınız.

5.3 Akünün çıkartılması

1. Akü yuvasının kapağını açınız.
2. Bir akünün serbest bırakma düğmelerine basınız.
3. Aküyü üründen çıkartınız.
4. İkinci akü için işlemi tekrarlayınız.
5. Akü yuvasının kapağını kapatınız.

6 Kullanım

Bu dokümanda ve ürün üzerinde bulunan güvenlik ve uyarı bilgilerine dikkat ediniz.

6.1 Taşınabilir güç kaynağının yerleştirilmesi 2, 3, 4, 5, 6, 7

1. Ürünü bir sırt çantası gibi yerleştiriniz. Kollarınızı omuz kayışlarından geçirin ve omuz kayışlarını omuzlarınıza yerleştiriniz.
2. Kalça kayışındaki klipsli kapağı kapatınız.
3. Kalça kayışını ayarlayınız.
 - ▶ Kalça kayışlarını gevşetmek için kayış kıskaçlarını eğiniz.
 - ▶ Gerdirmek için kalça kayışının her iki ucunu da ileri doğru çekiniz.
4. Göğüs kayışındaki klipsli kapağı kapatınız.
5. Göğüs kayışını ayarlayınız.
6. Omuz kayışlarını ayarlayınız.
 - ▶ Omuz kayışlarını gevşetmek için kayış kıskaçlarını eğiniz.
 - ▶ Omuz kayışlarını sıkmak için kayış uçlarını aşağı çekiniz.

6.2 Dalgıç beton karıştırıcının bağlanması 8

1. Prizin kapağını açınız.
2. Dalgıç beton karıştırıcının şebeke fişini prize takınız.



3. Gerilim azaltma ekipmanını kalça kayışına asınız.

6.3 Prizin etkinleştirilmesi

- ▶ Prize güç beslemesi sağlamak için işletim şalterini etkinleştiriniz.
 - ▶ Yeşil LED, prize etkinleştirildiğini gösterir.
 - ▶ Turuncu LED pil şarjının düşük olduğunu gösterir.

6.4 Dalgıç beton karıştırıcının kullanılması

- ▶ Bağılı dahilli dalgıç beton karıştırıcıyı çalıştırmak için kullanım kılavuzunu okuyunuz.

6.5 Prizin devre dışı bırakılması

Dalgıç beton karıştırıcı ile çalışmayı bıraktığınızda, her zaman **NCV 10-22** prizini de devre dışı bırakınız.

- ▶ Prize iletilen güç beslemesini kapatmak için işletim şalterini devre dışı bırakınız.
 - ▶ LED'ler söner.



NCV 10-22 prizi 30 dakika kullanılmadığında otomatik olarak devre dışı kalır.

7 Bakım ve onarım

İKAZ

Takılı aküden dolayı yaralanma tehlikesi !

- ▶ Tüm bakım ve onarım çalışmalarından önce her zaman aküyü çıkarınız!

Ürün bakımı

- Yapışmış olan kirleri dikkatle çıkartınız.
- Eğer mevcutsa, havalandırma deliklerini kuru ve yumuşak bir fırça ile dikkatlice temizleyiniz.
- Gövdeyi sadece hafif nemli bir temizlik bezi ile temizleyiniz. Plastik parçalara yapışabileceğinden silikon içerikli bakım maddeleri kullanmayınız.
- Ürünün üzerindeki kontak noktalarını temizlemek için temiz ve kuru bir bez kullanınız.

Lityum İyon akülerin bakımı

- Bir aküyü asla havalandırma delikleri tıkalıyken kullanmayınız. Havalandırma deliklerini kuru, yumuşak bir fırça ile dikkatlice temizleyiniz.
- Akünün gereksiz yere toza veya kire maruz kalmamasını sağlayınız. Aküyü asla yüksek neme maruz bırakmayınız (örneğin suya daldırmayınız veya yağmurda bırakmayınız).
Bir akünün ıslanması halinde, ona hasarlı bir akü gibi davranınız. Yanıcı olmayan bir kabın içinde izole ediniz ve **Hilti** servisine başvurunuz.
- Aküyü yabancı yağ ve gresten uzak tutunuz. Akünün üzerinde gereksiz yere toz veya kir birikmesine izin vermeyiniz. Aküyü kuru, yumuşak bir fırça veya temiz, kuru bir bezle temizleyiniz. Plastik parçalara yapışabileceğinden silikon içerikli bakım maddeleri kullanmayınız.
Akünün kontak noktalarına dokunmayınız ve kontak noktalarına fabrikada uygulanmış olan gresi kesinlikle çıkartmayınız.
- Gövdeyi sadece hafif nemli bir temizlik bezi ile temizleyiniz. Plastik parçalara yapışabileceğinden silikon içerikli bakım maddeleri kullanmayınız.

Bakım

- Görünür tüm parçalarda hasar olup olmadığını ve kumanda elemanlarının sorunsuz şekilde çalışıp çalışmadığını düzenli olarak kontrol ediniz.
- Hasar ve/veya fonksiyon arızaları durumunda ürünü işletmeyiniz. Ürünü gecikmeden **Hilti** servisine tamir ettiriniz.
- Bakım ve onarım çalışmalarından sonra tüm koruma tertibatlarını yerleştiriniz ve bunların fonksiyonlarını sorunsuz olarak yerine getirmekte olup olmadıklarını kontrol ediniz.



Güvenli çalışma için sadece orijinal yedek parçalar ve tüketim malzemeleri kullanınız. **Hilti** tarafından onaylanmış, yedek parçaları, aksesuarları ve sarf malzemelerini **Hilti Store** veya şu adreste bulabilirsiniz: www.hilti.group



8 Akülü aletlerin ve akülerin taşınması ve depolanması

Taşıma

⚠ DİKKAT

Taşıma sırasında aletin istem dışı çalışması !

- ▶ Ürünlerinizi her zaman aküler takılı olmadan taşıyınız!
- ▶ Aküleri çıkartınız.
- ▶ Aküleri kesinlikle sıkıca bağlanmamış koruma ile nakletmeyiniz. Nakliye sırasında, aküler aşırı şok ve titreşimlerden korunmalı ve başka akü kutupları ile temas ederek kısa devreye neden olmamaları için, her türlü iletken malzeme veya diğer akülerden izole edilmiş olmalıdır. **Aküler için yerel taşıma talimatlarını dikkate alınız.**
- ▶ Aküler posta ile gönderilmemelidir. Hasarsız aküleri sevk etmek istememeniz halinde, bir nakliye şirketine başvurunuz.
- ▶ Ürünün ve akülerin hasar görmüş olup olmadığını her kullanımdan önce olduğu gibi uzun taşımaldan önce ve sonra kontrol ediniz.

Depolama

⚠ İKAZ

Arızalı veya akan aküler nedeniyle beklenmeyen hasar oluşumu !

- ▶ Ürünlerinizi her zaman aküleri yerleştirmeden depolayınız!
- ▶ Ürünü ve aküleri serin ve kuru bir yerde muhafaza ediniz. Teknik verilerde belirtilen sıcaklık sınır değerlerini dikkate alınız.
- ▶ Aküleri şarj cihazının üzerinde muhafaza etmeyiniz. Şarj işleminden sonra her zaman aküyü şarj cihazından çıkartınız.
- ▶ Aküleri kesinlikle güneşte, ısı kaynakların üzerinde veya cam arkasında muhafaza etmeyiniz.
- ▶ Ürünü ve aküleri çocukların ve yetkisiz kişilerin ulaşamayacağı yerlerde muhafaza ediniz.
- ▶ Ürünün ve akülerin hasar görmüş olup olmadığını her kullanımdan önce olduğu gibi uzun süreli depolamalardan önce ve sonra kontrol ediniz.

9 Arıza durumunda yardım

Tüm arızalarda akünün şarj durumu ve hata göstergesini dikkate alınız. Bkz. Bölüm **Lityum İyon akü göstergeleri**.

Bu tabloda listelenmemiş veya kendi başınıza gideremediğiniz arızalarda lütfen yetkili **Hilti** servisimiz ile irtibat kurunuz.


Arıza	Olası sebepler	Çözüm
Akü duyulabilir bir klik sesi ile yerine oturmuyor.	Akünün kilit tırnağı kirlenmiş.	▶ Tırnakları temizleyiniz ve aküyü yeniden yerine oturtunuz.
Ürün açılmıyor.	Akü deşarj olmuş.	▶ Aküyü değiştiriniz ve boş aküyü şarj ediniz.
	Akü yerine tamamen takılmamış.	▶ Aküleri duyulabilir bir klik sesiyle takınız.

10 İmha

⚠ İKAZ

Usulüne uygun olmayan imha nedeniyle yaralanma tehlikesi! Dışarı çıkan gaz ve sıvılar nedeniyle sağlık sorunları.

- ▶ Hasar görmüş aküleri hiç bir şekilde göndermeyiniz!
- ▶ Kısa devreleri önlemek için, akünün bağlantılarını iletken olmayan bir malzeme ile kapatınız.
- ▶ Aküleri, çocukların ellerine geçmeyecek şekilde imha ediniz.
- ▶ Aküyü size en yakın **Hilti Store** da imha ediniz veya imha etmek için yetkili şirketinize başvurunuz.

 **Hilti** ürünleri yüksek oranda tekrar kullanılabilen malzemelerden üretilmiştir. Geri dönüşüm için gerekli koşul, usulüne uygun malzeme ayrımıdır. Çoğu ülkede **Hilti** eski aletlerini yeniden değerlendirmek üzere geri alır. Bu konuda **Hilti** müşteri hizmetlerinden veya satış temsilcinizden bilgi alabilirsiniz.





► Elektrikli el aletlerini, elektronik cihazları ve aküleri evdeki çöplere atmayınız!

11 Üretici garantisi

► Garanti koşullarına ilişkin sorularınız için lütfen yerel **Hilti** iş ortağınıza başvurunuz.

12 Diğer bilgiler


Kullanım, teknoloji, çevre ve geri dönüşüm hakkında daha fazla bilgi aşağıdaki bağlantıda bulunabilir:
qr.hilti.com/manual/?id=2370140&id=2370142

Bu bağlantıyı aynı zamanda kullanım kılavuzunun sonunda QR kodu olarak da bulabilirsiniz.



1 بيانات بخصوص دليل الاستعمال

1.1 خاص بدليل الاستعمال هذا

- **تحذير!** قبل أن تستخدم المنتج، تأكد أنك قد قرأت واستوعبت دليل الاستعمال المرفق مع المنتج، بما في ذلك الإرشادات وتعليمات السلامة والتحذير والصور والمواصفات. تعرف بصفة خاصة على جميع الإرشادات وتعليمات السلامة والتحذير والصور والمواصفات وكذلك المكونات والوظائف. في حالة عدم مراعاة ذلك، يكون هناك خطر حدوث صعق كهربائي أو نشوب حريق و/أو وقوع إصابات بالغة. احتفظ بدليل الاستعمال شاملاً جميع الإرشادات وتعليمات السلامة والتحذير للاستخدام اللاحق.
- منتجات **HILTI** مصممة للمستخدمين المحترفين ويقتصر استعمالها وصيانتها وإصلاحها على الأشخاص المعتمدين والمدربين جيداً. هؤلاء الأشخاص يجب أن يكونوا قد تلقوا تدريباً خاصاً على الأخطار الطارئة. قد يتسبب الجهاز وأدواته المساعدة في حدوث أخطار إذا تم التعامل معها بشكل غير سليم فنياً من قبل أشخاص غير مدربين أو تم استخدامها بشكل غير مطابق للتعليمات.
- دليل الاستعمال المرفق يتطابق مع الوضع الحالي للتقنية وقت الطباعة. يمكنك دائماً العثور على الإصدار أونلاين على صفحة المنتج Hilti. ولهذا الغرض، اتبع الرابط أو كود QR في دليل الاستعمال هذا والمميز بالرمز .
- لا يجوز تسليم المنتج إلى أي شخص إلا مع دليل الاستعمال هذا.

2.1 شرح العلامات

1.2.1 إرشادات تحذيرية

تنبه الإرشادات التحذيرية إلى الأخطار الناشئة عند التعامل مع الجهاز. يتم استخدام الكلمات الدلالية التالية:



خطر!

تشير لخطر مباشر يؤدي لإصابات جسدية خطيرة أو إلى الوفاة.



تحذير!

تشير لخطر محتمل قد يؤدي لإصابات جسدية خطيرة أو إلى الوفاة.









احترس!

تشير لموقف خطر محتمل يمكن أن يؤدي لإصابات جسدية أو أضرار مادية.

2.2.1 الرموز في دليل الاستعمال

يتم استخدام الرموز التالية في دليل الاستعمال هذا:

يراعى دليل الاستعمال	
إرشادات الاستخدام ومعلومات أخرى مفيدة.	
التعامل مع مواد قابلة لإعادة التدوير	
لا تتخلص من الأجهزة الكهربائية البطاريات ضمن القمامة المنزلية	
Hilti بطارية أيونات الليثيوم	
Hilti جهاز الشحن	

3.2.1 الرموز في الصور

تستخدم الرموز التالية في الرسوم التوضيحية:



2	تشير هذه الأعداد إلى الصورة المعنية في بداية دليل الاستعمال هذا.
3	تشير الأرقام في الصور إلى خطوات العمل المهمة أو إلى الأجزاء المهمة لخطوات العمل. يتم إبراز هذه الخطوات أو الأجزاء في النص من خلال الأرقام، على سبيل المثال (3).
11	يتم استخدام أرقام المواضع في صورة العرض العام وهي تشير إلى أرقام تعليق الصورة في فصل عرض عام للمنتج.
!	هذه العلامة من شأنها أن تثير انتباهك جيدا عند التعامل مع المنتج.

3.1 الرموز المرتبطة بالمنتج

1.3.1 الرموز على المنتج

قد تكون الرموز التالية مستخدمة على المنتج:

يدعم المنتج تقنية NFC المتوافقة مع أنظمة التشغيل iOS و Android.	
بطارية أيونات الليثيوم	Li-Ion
لا تستخدم البطارية أبداً كمطرقة.	
لا تدع البطارية تسقط. لا تستخدم بطارية تعرضت لصدمات أو أي نوع آخر من التلفيات.	

4.1 معلومات المنتج

منتجات **Hilti** مصممة للمستخدمين المحترفين ويقتصر استعمالها وصيانتها وإصلاحها على الأشخاص المعتمدين والمدربين جيدا. هؤلاء الأشخاص يجب أن يكونوا قد تلقوا تدريباً خاصاً على الأخطار الطارئة. قد يتسبب الجهاز وأدواته المساعدة في حدوث أخطار إذا تم التعامل معها بشكل غير سليم فنياً من قبل أشخاص غير مدربين أو تم استخدامها بشكل غير مطابق للتعليمات. يوجد مسمى الطراز والرقم المسلسل على لوحة الصنع.

◀ انقل الرقم المسلسل في الجدول التالي. ستحتاج إلى بيانات المنتج في حالة الاستفسارات الموجهة إلى ممثلينا أو مركز الخدمة.

بيانات المنتج

NCV 10-22	حقيبة ظهر
01	الجيل
	الرقم المسلسل

5.1 بيان المطابقة

تعلن الجهة الصانعة على مسؤوليتها وحدها بأن المنتج المشروح هنا يتوافق مع التشريعات والمعايير المعمول بها. تجد صورة لبيان المطابقة في نهاية هذا المستند.

المستندات الفنية محفوظة هنا:

Hilti Entwicklungsgesellschaft mbH | Zulassung Geräte | Hiltistraße 6 | 86916 Kaufering, DE

2 السلامة

1.2 إرشادات السلامة

⚠ **تحذير احرص على قراءة جميع إرشادات السلامة، التوجيهات، الصور التوضيحية والمواصفات الفنية المرفقة مع هذه الأداة الكهربائية.** أي تقصير أو إهمال في الالتزام بالتعليمات التالية قد يتسبب في حدوث صعق كهربائي، نشوب حريق و/أو وقوع إصابات خطيرة.

احتفظ بجميع مستندات إرشادات السلامة والتعليمات لاستخدامها عند الحاجة إليها فيما بعد.

- ◀ اقتصر على استخدام المنتج والملحق وهما في حالة سليمة من الناحية الفنية.
- ◀ لا تقم أبداً بإجراء أية تدخلات أو تغييرات على المنتج أو الملحق.
- ◀ خطر الإصابة من جراء سقوط الأدوات و/أو الملحقات. تأكد قبل بدء العمل أن البطارية والملحقات المركبة مثبتة بشكل آمن.



- ◀ كن يقظا وانتبه لما تفعل وتعامل مع الأداة الكهربائية بتعقل عند العمل بها. لا تستخدم الأداة الكهربائية عندما تكون متعبا أو تمت تأثير المخدرات أو الكحوليات أو العقاقير. فقد يتسبب عدم الانتباه للحظة واحدة أثناء الاستخدام في حدوث إصابات بالغة.
- ◀ اقتصر على استخدام المنتج والملحقات طبقا لهذه التعليمات. احرص في هذه الأثناء على مراعاة اشتراطات العمل والمهمة المراد تنفيذها. استخدام الأدوات الكهربائية في تطبيقات غير تلك المقررة لها يمكن أن يؤدي لوقوف خطيرة.
- ◀ احرص على العناية التامة بالأدوات الكهربائية. افحص الأجزاء المتحركة من حيث أداؤها لوظيفتها بدون مشاكل وعدم انحصارها وافحصها من حيث وجود أجزاء مكسورة أو متعرضة للضرر يمكن أن تؤثر سلبا على وظيفة الأداة الكهربائية. اعمل على إصلاح الأجزاء التالفة قبل استخدام الجهاز. الكثير من الحوادث مصدرها الأدوات الكهربائية التي تم صيانتها بشكل ردي.
- ◀ لا تعتقد بأنك في مأمن عن الخطر ولا تتجاهل تشريعات السلامة المعنية للأدوات الكهربائية، حتى وإن كنت على دراية بالأداة الكهربائية بعد تكرار استخدامها. التعامل مع الجهاز بدون حذر قد يؤدي إلى وقوع إصابات بالغة في جزء من الثانية.
- ◀ لا تغمر المنتج في الماء أو في أي سائل آخر.

استخدام الأداة العاملة بالبطارية والتعامل معها

- ◀ لا تشحن البطارية إلا في أجهزة شحن موصى بها من قبل الجهة الصانعة. بالنسبة لجهاز الشحن المناسب لنوع معين من البطاريات، ينشأ خطر الحريق عند استخدامه مع بطاريات أخرى.
- ◀ لا تضع في الأدوات الكهربائية سوى البطاريات المخصصة لها. استخدام بطاريات أخرى يمكن أن يؤدي لوقوع إصابات وخطر الحريق.
- ◀ أبعد البطارية غير المستخدمة عن مشابك الورق وقطع النقود المعدنية والمفاتيح والمسامير والبراغي أو الأشياء المعدنية الصغيرة الأخرى التي يمكن أن تتسبب في توصيل الملامسين لبعضهما. حدوث قفلة كهربائية بين أطراف توصيل البطارية يمكن أن ينتج عنه حدوث حروق أو نشوب حريق.
- ◀ عند الاستخدام بشكل خاطئ يمكن أن يتسرب سائل من البطارية. تجنب ملامسته. اشطفه بالماء في حالة ملامسته عن طريق الخطأ. إذا وصل السائل للعينين، فتوجه للطبيب علاوة على ذلك. سائل البطارية المتسرب يمكن أن يؤدي لتبعية البشرة أو حدوث حروق.
- ◀ لا تستخدم بطارية تالفة أو مختلفة. البطاريات التالفة أو المختلفة قد تتفاعل مع نفسها بشكل غير متوقع مما يؤدي لنشوب حريق أو حدوث انفجار أو وقوع إصابات.
- ◀ لا تعرض البطارية للنار أو لدرجات حرارة مرتفعة للغاية. حيث قد تؤدي النار ودرجات الحرارة الزائدة عن 130 م° (265 ف°) إلى حدوث انفجار.
- ◀ التزم بكافة التعليمات المعنية بالشحن، ولا تقم أبداً بشحن البطارية أو الأداة العاملة بالبطارية خارج نطاق درجة الحرارة الوارد ذكره في دليل التشغيل. الشحن بشكل خاطئ أو خارج نطاق درجة الحرارة المسموح به قد يتلف البطارية ويزيد من خطر الحريق.

2.2 التعامل بعناية مع الأجهزة العاملة بالبطاريات واستخدامها

- ◀ احرص على مراعاة إرشادات السلامة التالية للتعامل والاستخدام الآمن لبطاريات أيونات الليثيوم. وعدم مراعاة ذلك قد يؤدي إلى حدوث تبيجات للبشرة، إصابات أكلة بالغة، حروق كيميائية، حرائق و/ أو انفجارات.
- ◀ اقتصر على استخدام البطاريات وهي في حالة سليمة من الناحية الفنية.
- ◀ احرص على التعامل مع البطاريات بعناية لتجنب وقوع أضرار ومنع تسرب السوائل التي قد تضر بالصحة بصورة كبيرة!
- ◀ لا يجوز بأي حال من الأحوال تعديل البطاريات أو العبث بها!
- ◀ لا يجوز تفكيك البطاريات أو سحبقها أو وضعها في درجة حرارة أعلى من 80 م° (176 ف°) أو حرقها.
- ◀ لا تقم باستخدام أو شحن بطاريات تعرضت لصدات أو أي نوع آخر من الأضرار. افحص البطاريات بشكل دوري بحثاً عن علامات التلف.
- ◀ لا تقم مطلقاً باستخدام بطاريات مُعاد تدويرها أو التي تم إصلاحها.
- ◀ لا تستخدم أبداً البطارية أو أية أداة كهربائية مشغلة بالبطارية كمطرقة.
- ◀ لا تقم مطلقاً بتعرض البطاريات لأشعة الشمس المباشرة أو درجات الحرارة المرتفعة أو تولد الشرر أو اللهب المكشوف. فقد يؤدي ذلك إلى حدوث انفجارات.
- ◀ لا تلمس أقطاب البطارية بأصابعك، أدوات، خلي أو أية أشياء أخرى موصلة للكهرباء. فقد يؤدي ذلك إلى إلحاق الضرر بالبطارية وحدث أضرار مادية والإصابات.
- ◀ احتفظ بالبطاريات بعيداً عن الأمطار والبلل والسوائل. فالرطوبة المتسربة قد تتسبب في حدوث قفلات كهربائية، صدمات كهربائية، حرائق وانفجارات.



4.3 بيانات بطارية أيونات الليثيوم

يمكن لبطاريات أيونات الليثيوم Hilti Nuron عرض حالة الشحن وبلغات الأخطاء وحالة البطارية.

1.4.3 عرض حالة الشحن وبلغات الأخطاء



خطر الإصابة بسبب سقوط البطارية!

بينما البطارية مركبة، تأكد بعد الضغط على زر التمرير أنك قمت بإعادة تثبيت البطارية بشكل صحيح في المنتج المستخدم.

لكي يتسنى الحصول على أحد البيانات التالية، اضغط لوهلة قصيرة على زر ترميز البطارية. وأيضاً يتم باستمرار عرض حالة الشحن وكذلك الاختلالات المُحتملة طوال فترة تشغيل المنتج الموصول.

الحالة	الاستعمال
تضيء أربع لمبات LED (4) باستمرار باللون الأخضر	حالة الشحن: 100 % إلى 71 %
تضيء ثلاث لمبات LED (3) باستمرار باللون الأخضر	حالة الشحن: 70 % إلى 51 %
تضيء لمبة LED (2) باستمرار باللون الأخضر	حالة الشحن: 50 % إلى 26 %
تضيء لمبة LED واحدة (1) باستمرار باللون الأخضر	حالة الشحن: 25 % إلى 10 %
تومض لمبة LED واحدة (1) ببطء باللون الأخضر	حالة الشحن: > 10 %
تومض لمبة LED واحدة (1) بسرعة باللون الأخضر	بطارية أيونات الليثيوم فارغة الشحنة تمامًا. اشحن البطارية. إذا استمر وميض لمبة LED بسرعة بعد شحن البطارية، توجه إلى مركز خدمة Hilti.
تومض لمبة LED واحدة (1) بسرعة باللون الأصفر	هناك تحميل زائد على بطارية أيونات الليثيوم أو المنتج المرتبط بها أو ربما سخونة زائدة أو برودة زائدة أو بما خطأً آخر. اعمل على توفير درجة حرارة العمل الموصى بها للمنتج والبطارية، واحرص على ألا يتعرض المنتج للتحميل الزائد عند استخدامه. إذا استمر وجود البلاغ، توجه إلى مركز خدمة Hilti.
تضيء لمبة LED واحدة (1) باللون الأصفر	بطارية أيونات الليثيوم والمنتج المرتبط بها ليسا متوافقين. يُرجى التوجه إلى مركز خدمة Hilti.
تومض لمبة LED واحدة (1) بسرعة باللون الأحمر	تم تعطيل بطارية أيونات الليثيوم ولا يمكن مواصلة استخدامها. يُرجى التوجه إلى مركز خدمة Hilti.

2.4.3 عرض حالة البطارية

للاستفسار عن حالة البطارية، احتفظ بزر التمرير مضغوطاً لمدة تزيد على ثلاث ثوان. لا يكتشف النظام أي عطل محتمل في البطارية بسبب سوء الاستخدام، على سبيل المثال السقوط أو الثقب أو الأضرار الخارجية بفعل الحرارة، وما إلى ذلك

الحالة	الاستعمال
تضيء جميع لمبات LED كخط إضاءة متتابع، وبعد ذلك تضيء لمبة LED واحدة (1) باستمرار باللون الأخضر.	لا يزال من الممكن استخدام البطارية.
تضيء جميع لمبات LED كخط إضاءة متتابع، وبعد ذلك تومض لمبة LED واحدة (1) بسرعة باللون الأصفر.	تعذر إتمام الاستعلام عن حالة البطارية. كرر العملية أو توجه إلى مركز خدمة Hilti.
تضيء جميع لمبات LED كخط إضاءة متتابع، وبعد ذلك تضيء لمبة LED واحدة (1) باستمرار باللون الأحمر.	إذا كان لا يزال من الممكن استخدام منتج موصل، تكون قدرة البطارية المتبقية أقل من 50%. إذا لم يعد من الممكن استخدام منتج موصل، فهذا يعني أن البطارية في نهاية عمرها الافتراضي ويجب تغييرها. يُرجى التوجه إلى مركز خدمة Hilti.



قدرة خرج النظام	42,4 فلط، 3PA، 200 هرتز ~، 1000 واط
نوع الحماية	IP X4
درجة الحرارة المحيطة أثناء التشغيل	-17° م ... 40° م
درجة حرارة التخزين	-20° م ... 70° م

1.4 البطارية

جهد تشغيل البطارية	21.6 فلط
وزن البطارية	انظر نهاية هذا الدليل
درجة الحرارة المحيطة أثناء التشغيل	-17° م ... 60° م
درجة حرارة التخزين	-20° م ... 40° م
درجة حرارة البطارية عند بدء الشحن	-10° م ... 45° م

5 التحضير للعمل
تحذير

خطر الإصابة من خلال التشغيل غير المقصود!

- تأكد قبل إدخال البطاريات أن الجهاز المختص مطفأ.
- اخلع البطارية قبل إجراء عمليات ضبط الجهاز أو تغيير أجزاء الملحقات التكميلية.

تراجعى إرشادات الأمان والإرشادات التحذيرية الواردة في هذا المستند وعلى الجهاز.

1.5 شحن البطارية

1. قبل الشحن، قم بقراءة دليل استعمال جهاز الشحن.
2. احرص على أن تكون أطراف تلامس البطارية وجهاز الشحن نظيفة وجافة.
3. قم بشحن البطارية باستخدام شاحن مصعب به. 110

2.5 تركيب البطارية
تحذير

خطر الإصابة من خلال قفلة كهربائية أو سقوط البطارية!

- تأكد قبل تركيب البطاريات في الجهاز من عدم وجود أجسام غريبة بين أطراف توصيل البطارية والجهاز.
- تأكد من تثبيت البطارية بشكل صحيح دائماً.

1. اشحن البطارية لآخرها تماماً قبل التشغيل لأول مرة.
2. افتح غطاء مبيت البطارية.
3. أدخل إحدى البطاريات في المنتج، إلى أن تثبت بصوت مسموع.
4. تفحص البطارية من حيث ثباتها في موضعها بشكل جيد.
5. كرر العملية مع البطارية الثانية.
6. أغلق غطاء مبيت البطارية.

3.5 خلع البطارية

1. افتح غطاء مبيت البطارية.
2. اضغط على زر تحرير البطارية.
3. اسحب البطارية من المنتج.
4. كرر العملية مع البطارية الثانية.
5. أغلق غطاء مبيت البطارية.



تراجع إرشادات الأمان والإرشادات التحذيرية الواردة في هذا المستند وعلى الجهاز.

1.6 إنشاء مصدر إمداد بالطاقة محمول 2، 3، 4، 5، 6، 7

1. قم بارتداء المنتج كأنه حقيبة ظهر. قم بتمرير الذراعين عبر حزامي الكتف وضع حزامي الكتف على كتفيك.
2. أغلق مشبك قفل حزام الحوض.
3. قم بمواءمة حزام الحوض.
 - ◀ قم بإمالة مشابك الحزام لإرخاء حزام الحوض.
 - ◀ اجذب كلا طرفي حزام الحوض إلى الأمام من أجل إحكام شده.
4. أغلق مشبك قفل حزام الحوض.
5. قم بمواءمة حزام الصدر.
6. قم بمواءمة أحزمة الكتف.
 - ◀ قم بإمالة مشابك الحزام لإرخاء أحزمة الكتف.
 - ◀ اجذب أطراف الأحزمة إلى أسفل من أجل شد أحزمة الكتف.

2.6 توصيل هزاز الخرسانة الداخلي 3

1. افتح غطاء المقبس.
2. أدخل القابس الكهربائي لهزاز الخرسانة الداخلي في المقبس.
3. بتعليق وسيلة تخفيف الربط على حزام الخصر.

3.6 تفعيل المقبس 9

- ◀ قم بتفعيل مفتاح الاستعمال، لإمداد المقبس بالطاقة.
- ◀ تشير لمبة LED الخضراء إلى أن المقبس مُفعّل.
- ◀ تشير لمبة LED البرتقالية إلى ضعف شحنة البطارية.

4.6 استخدام هزاز الخرسانة الداخلي

- ◀ لاستخدام هزاز الخرسانة الداخلي، احرص على قراءة دليل الاستعمال الخاص به.

5.6 إيقاف فعالية المقبس 9

- عندما تتوقف عن العمل بهزاز الخرسانة الداخلي، قم أيضًا على الدوام بإيقاف فعالية مقبس NCV 10-22.
- ◀ قم بإيقاف فعالية مفتاح الاستعمال، لإيقاف إمداد المقبس بالطاقة.
 - ◀ تنطفئ لمبات LED.

يتم أوتوماتيكيًا إيقاف فعالية مقبس NCV 10-22 بعد مرور 30 دقيقة من عدم الاستخدام.



7 العناية والصيانة



خطر الإصابة عند تكون البطارية مركبة !

- ◀ احرص على خلع البطارية دائمًا قبل جميع أعمال الإصلاح والعناية!

العناية بالمنتج

- احرص على إزالة الاتساخات شديدة الالتصاق مع توخي الحرص.
- في حالة وجودها، قم بتنظيف فتحات التهوية بحرص باستخدام فرشاة جافة وناعمة.
- قم بتنظيف جسم المنتج باستخدام قطعة قماش مبللة بعض الشيء. لا تستخدم مواد عناية محتوية على سيليكون، نظرًا لأنها قد تؤدي إلى تلف الأجزاء البلاستيكية.
- استخدم قطعة قماش نظيفة وجافة لتنظيف ملامسات المنتج.



العناية بطاريات أيونات الليثيوم

- لا تقم مطلقاً باستخدام بطارية ذات فتحات تهوية مسدودة. قم بتنظيف فتحات التهوية بحرص باستخدام فرشاة جافة وناعمة.
- تجنب تعريض البطارية للغبار أو الاتساخات دون داع. لا تقم مطلقاً بتعرض البطارية للرطوبة المرتفعة (على سبيل المثال، غمرها في الماء أو تركها تحت الأمطار).
- في حالة بلل البطارية، تعامل معها كبطارية تالفة. اعزل البطارية في وعاء غير قابل للاشتعال وتوجه إلى مركز خدمة Hilti.
- حافظ على البطارية خالية من الزيت والشحم الخارجي. لا تسمح للغبار أو الاتساخات بالتراكم دون داع على البطارية. قم بتنظيف البطارية باستخدام فرشاة جافة وناعمة أو قطعة قماش نظيفة وجافة. لا تستخدم مواد عناية محتوية على سيليكون، نظراً لأنها قد تؤدي إلى تلف الأجزاء البلاستيكية.
- لا تلمس ملامسات البطارية ولا تقم بإزالة الشحم الموجود من قبل المصنع عن الملامسات.
- قم بتنظيف جسم المنتج باستخدام قطعة قماش مبللة بعض الشيء. لا تستخدم مواد عناية محتوية على سيليكون، نظراً لأنها قد تؤدي إلى تلف الأجزاء البلاستيكية.

الصيانة

- احرص بصورة منتظمة على فحص الأجزاء المرئية من حيث وجود أضرار وافحص عناصر الاستعمال من حيث كفاءتها الوظيفية.
- لا تقم بتشغيل الجهاز في حالة وجود أضرار و/أو اختلالات وظيفية. احرص على إصلاح الجهاز على وجه السرعة لدى خدمة Hilti.
- بعد أعمال العناية والإصلاح قم بتركيب جميع تجهيزات الحماية وافحصها من حيث الأداء الوظيفي السليم.

للتشغيل الآمن اقتصِر على استخدام قطع الغيار الأصلية وخامات الشغل. تجد قطع الغيار وخامات الشغل والملحقات المصراع بها من Hilti للمنتج الخاص بك في متجر Hilti Store أو على موقع الإنترنت: www.hilti.group

8 نقل وتخزين أدوات الشغل العاملة ببطارية والبطاريات

النقل

⚠ احترس:

التشغيل غير مقصود عند النقل!

- ◀ قم بنقل المنتج دائماً بدون البطاريات!
- ◀ اخلع البطارية/البطاريات.
- ◀ لا تقم بنقل البطاريات بكميات كبيرة. ينبغي أثناء النقل حماية البطاريات من الاصطدام العنيف والاهتزازات، وكذلك عزلها عن أية مواد موصلة للكهرباء أو أية بطاريات أخرى، وذلك حتى لا تتلامس مع أقطاب بطاريات أخرى ومن ثم حدوث قفلة كهربائية. احرص على مراعاة تعليمات النقل المحلية للبطاريات.
- ◀ لا يجوز إرسال البطاريات عن طريق البريد. توجه إلى شركة شحن، إذا كنت ترغب في إرسال بطاريات غير تالفة.
- ◀ افحص المنتج والبطاريات من حيث وجود أضرار قبل كل استخدام وقبل وبعد النقل لمسافة طويلة.

التخزين

⚠ تحذير

أضرار غير مقصودة بسبب البطاريات التالفة أو التي بها تسريب!

- ◀ قم بتخزين المنتج دائماً بدون البطاريات!
- ◀ احرص على تخزين المنتج والبطاريات في مكان بارد وجاف. احرص على مراعاة القيم المحددة لدرجات الحرارة الواردة في المواصفات الفنية.
- ◀ لا تمتطظ بالبطاريات على جهاز الشحن. قم دائماً بإزالة البطارية من الشاحن بعد انتهاء عملية الشحن.
- ◀ لا تقم أبداً بتخزين البطاريات تحت أشعة الشمس أو في مصادر الحرارة أو خلف الزجاج.
- ◀ احرص على تخزين المنتج والبطاريات والاحتفاظ به بعيداً عن متناول الأطفال والأشخاص غير المصرح لهم.
- ◀ افحص المنتج والبطاريات من حيث وجود أضرار قبل كل استخدام وقبل وبعد التخزين لفترة طويلة.

9 المساعدة في حالات الاختلالات

في حالات حدوث الاختلالات، قم بمراقبة بيان حالة الشحن وبيان الأخطاء للبطارية. انظر الفصل بيانات بطارية أيونات الليثيوم.



عند حدوث اختلالات غير مذكورة في الجدول أو يتعذر عليك معالجتها بنفسك، فيرجى التوجه إلى مركز خدمة Hilti.

الخلل	السبب المحتمل	الحل
البطارية لا تثبت بصوت طقطقة مسموع.	طرف التثبيت بالبطارية متسخ.	◀ قم بتنظيف طرف التثبيت ثم قم بتركيب البطارية مجدداً.
يتعذر تشغيل المنتج.	البطارية فارغة الشحنة.	◀ قم بتغيير البطارية واشحن البطارية الفارغة.
	لم يتم إدخال البطارية حتى النهاية.	◀ قم بتثبيت البطاريات، إلى أن تسمع صوت طقطقة.

10 التكبين



- خطر الإصابة من جراء التكبين غير المطابق للتعليمات!** خطر على الصحة من جراء الغازات والسوائل المتسربة.
- ◀ لا تقم بإرسال أو توريد بطاريات تالفة!
 - ◀ قم بتغطية التوصيلات باستخدام مادة غير موصلة للكهرباء وذلك لتجنب حدوث قفلات كهربائية.
 - ◀ تخلص من البطاريات بحيث لا تصل إلى متناول الأطفال.
 - ◀ تخلص من البطارية لدى متجر **Hilti Store** أو توجه إلى مركز التخلص من النفايات المختص.

منتجات **Hilti** مصنوعة بنسبة كبيرة من مواد قابلة لإعادة التدوير. يشترط لإعادة التدوير أن يتم فصل الغامات بشكل سليم فينيا. في كثير من الدول تقوم **Hilti** باستعادة جهازك القديم لإعادة الانتفاع به. توجه بأسئلتك لخدمة عملاء **Hilti** أو لمستشار المبيعات.

◀ لا تعلق الأدوات الكهربائية، الأجهزة الإلكترونية والبطاريات ضمن القمامة المنزلية!

11 ضمان الجبة الصانعة

- ◀ في حالة وجود أية استفسارات بخصوص شروط الضمان، يرجى التوجه إلى وكيل **Hilti** المحلي التابع لك.

12 مزيد من المعلومات

تجد مزيداً من المعلومات حول الاستعمال والتقنية والبيئة وإعادة التدوير تحت الرابط التالي:
qr.hilti.com/manual/?id=2370140&id=2370142
 تجد هذا الرابط أيضاً في نهاية دليل الاستعمال ككود QR.



オリジナル取扱説明書

1 取扱説明書について

1.1 本取扱説明書について

- 警告事項！ 本製品をご使用になる前に、同梱の取扱説明書と指示事項、安全上の注意、警告表示、図および製品仕様を読んで、その内容を理解してください。特に、すべての指示事項、安全上の注意、警告表示、図、製品仕様、構成部品と機能に精通しているようにしてください。これを怠ると、感電、火災、および/または重傷事故の危険があります。後日確認できるように、取扱説明書とすべての指示事項、安全上の注意、警告表示を保管しておいてください。
- 製品はプロ仕様で製作されており、その使用、保守、修理を行うのは、認定を受けトレーニングされた人のみに限ります。これらの人は、遭遇し得る危険に関する情報を入手していなければなりません。製品およびアクセサリーの使用法を知らない者による誤使用、あるいは規定外の使用は危険です。
- 製品に同梱されている取扱説明書は、印刷の時点で最新の技術状況を反映しています。オンラインのHilti製品ページで常に最新バージョンをご確認ください。これについては、本取扱説明書のリンク、またはQRコード(📄の記号)に従ってください。
- 他の人が使用する場合には、本製品とともにこの取扱説明書を一緒にお渡しください。

1.2 記号の説明

1.2.1 警告表示

警告表示は製品の取扱いにおける危険について警告するものです。以下の注意喚起語が使用されています：

危険

危険！

▶ この表記は、重傷あるいは死亡事故につながる危険性がある場合に注意を促すために使われます。

警告

警告！

▶ この表記は、重傷あるいは死亡事故につながる可能性がある場合に注意を促すために使われます。

注意

注意！

▶ この表記は、身体の負傷あるいは物財の損傷が発生する可能性がある場合に使われます。

1.2.2 取扱説明書の記号

この取扱説明書では、以下の記号が使用されています：

	取扱説明書に注意してください
	本製品を効率良く取り扱うための注意事項や役に立つ情報
	リサイクル可能な部品の取扱い
	電動工具およびバッテリーを一般ゴミとして廃棄してはなりません
	Hilti Li-Ion バッテリー
	Hilti 充電器

1.2.3 図中の記号

図中では以下の記号が使用されています：

この数字は本取扱説明書冒頭にある該当図を示しています。



3	図中の付番は、重要な作業手順あるいは作業手順にとって重要なパーツであることを示しています。本文中ではこれらの作業手順またはパーツは、(3) のように当該の番号でハイライト表示されています。
⑪	概要図には項目番号が付されていて、製品概要セクションの凡例の番号に対応しています。
	この記号は、製品の取扱いの際に特に注意が必要なことを示しています。

1.3 製品により異なる記号

1.3.1 製品に表示されている記号

製品には以下の記号が使用されている場合があります：

	本製品は、iOS および Android プラットフォームと互換性のある NFC テクノロジーをサポートしています。
Li-Ion	Li-Ionen バッテリー
	バッテリーは決して打撃工具として使用しないでください。
	バッテリーは落下させないでください。ぶつけたり、あるいはその他の理由で損傷しているバッテリーは使用しないでください。

1.4 製品情報

製品はプロ仕様で製作されており、その使用、保守、修理を行うのは、認定を受けトレーニングされた人のみに限ります。これらの人は、遭遇し得る危険に関する情報を入手していなければなりません。製品およびアクセサリの使用法を知らない者による誤使用、あるいは規定外の使用は危険です。機種名および製造番号は銘板に表示されています。

- ▶ 製造番号を以下の表に書き写しておいてください。ヒルティ代理店やサービスセンターへお問い合わせの際には、製品データが必要になります。

製品データ

リュックサック	NCV 10-22
製品世代	01
製造番号	

1.5 適合宣言

製造者は、単独の責任において本書で説明している製品が有効な法規と有効な標準規格に適合していることを宣言します。適合宣言書の複写は本書の末尾にあります。

技術資料は本書の後続の頁に記載されています：

Hilti Entwicklungsgesellschaft mbH | Zulassung Geräte | Hiltistraße 6 | 86916 Kaufering, DE

2 安全

2.1 安全上の注意

警告事項 本電動工具に付属のすべての安全上の注意、指示事項、図、および製品仕様をお読みください。以下の指示を守らないと、感電、火災および / または重傷事故の危険があります。安全上の注意および指示事項が書かれた説明書はすべて大切に保管してください。

- ▶ 本製品とアクセサリは、必ず技術的に問題のない状態で使用してください。
- ▶ 本製品あるいはアクセサリには、決して加工や改造を加えないでください。
- ▶ 落下する先端工具および / またはアクセサリによる負傷の危険。作業を開始する前に、バッテリーおよび取り付けられたアクセサリが確実に固定されていることを確認してください。
- ▶ 電動工具を使用の際には、油断せずに十分注意し、常識をもった作業をおこなってください。疲れている場合、薬物、医薬品服用およびアルコール飲用による影響下にある場合には電動工具を使用しないでください。電動工具使用中の一瞬の不注意が重傷の原因となることがあります。
- ▶ 本製品およびアクセサリは、必ず指示に従って使用してください。その際は、作業環境および用途についてもご注意ください。指定された用途以外に電動工具を使用すると危険な状況をまねく恐れがあります。



- ▶ 電動工具は慎重に手入れしてください。可動部分が引っ掛かりなく正常に作動しているか、電動工具の運転に影響を及ぼす各部分が破損・損傷していないかを確認してください。電動工具を再度ご使用になる前に、損傷部分の修理を依頼してください。発生事故の多くは保守管理の不十分な電動工具の使用が原因となっています。
- ▶ 電動工具の取扱いに熟練している場合にも、正しい安全対策を遵守し、電動工具に関する安全規則を無視しないでください。不注意な取扱いは、ほんの一瞬で重傷事故を招くことがあります。
- ▶ 本製品を水中またはその他の液体中に入れてください。

バッテリー工具の使用および取扱い

- ▶ バッテリーを充電する場合は、必ずメーカー推奨の充電器を使用してください。特定タイプのバッテリー専用の充電器を他のバッテリーに使用すると、火災の恐れがあります。
- ▶ 電動工具には、必ず指定されたバッテリーを使用してください。指定以外のバッテリーを使用すると、負傷や火災の恐れがあります。
- ▶ 使用されていないバッテリーの近くに、事務用クリップ、硬貨、キー、釘、ネジ、その他の小さな金属物を置かないでください。電気接点の短絡が起こることがあります。バッテリーの電気接点間が短絡すると、火傷や火災が発生する危険があります。
- ▶ 正しく使用しないと、液漏れが発生することがあります。その場合、漏れた液には触れないでください。もしも触れてしまった場合は、水で洗い流してください。バッテリー液が眼に入った場合は、水で洗い流してから医師の診察を受けてください。流出したバッテリー液により、皮膚が刺激を受けたり火傷を負う恐れがあります。
- ▶ 損傷したあるいは変更が加えられたバッテリーは使用しないでください。損傷したあるいは変更が加えられたバッテリーは、予測不可能な挙動により爆発あるいは負傷事故を発生させる危険があります。
- ▶ バッテリーは火気あるいは高温に曝さないでください。火気あるいは 130 °C (265 °F) を超える高温は、爆発の原因となることがあります。
- ▶ 充電に関するすべての指示事項に従い、バッテリーあるいはバッテリー工具は、決して取扱説明書に記載された温度範囲外で充電しないでください。正しくない充電あるいは許容温度範囲外での充電により、バッテリーが破壊され火災が発生する危険があります。

2.2 バッテリーの慎重な取扱いおよび使用

- ▶ **Li-Ion** バッテリーの安全な取扱いと使用のために、以下の安全上の注意を遵守してください。これを守らないと、皮膚の炎症、重篤な腐食負傷、化学火傷、火災および / あるいは爆発の原因となることがあります。
- ▶ バッテリーは、必ず技術的に問題のない状態で使用してください。
- ▶ 損傷を防止して健康にとってきわめて危険なバッテリー液の漏出を防ぐため、バッテリーは慎重に取り扱ってください！
- ▶ バッテリーは決して改造したり手を加えたりしないでください！
- ▶ バッテリーを分解したり、挟んだり、80°C (176°F) 以上に加熱したり、燃やしたりしないでください。
- ▶ ぶつかけたり、あるいはその他の損傷を受けたバッテリーは、使用したり充電したりしないでください。バッテリーは、損傷の痕跡がないか定期的に点検してください。
- ▶ リサイクルあるいは修理されたバッテリーは、決して使用しないでください。
- ▶ バッテリーまたはバッテリー式電動工具は、決して打撃工具として使用しないでください。
- ▶ バッテリーは、決して直射日光、高温、火花の発生、裸体に曝さないでください。これを守らないと、爆発の原因となることがあります。
- ▶ バッテリーの電極に、指、工具、装身具あるいはその他の導電性のある物体で触れないようにしてください。これを守らないと、バッテリーの損傷、物財の損傷および負傷の原因となることがあります。
- ▶ バッテリーを雨、湿気、液体から保護してください。バッテリー内に湿気が入り込むと、短絡、感電、火傷、火災あるいは爆発の原因となることがあります。
- ▶ 必ずご使用のバッテリータイプ用に指定された充電器と電動工具を使用してください。これについては、充電器や電動工具の取扱説明書の記述を確認してください。
- ▶ バッテリーは、爆発の可能性がある場所で使用あるいは保管しないでください。
- ▶ バッテリーが掴むことのできないほどに熱くなっている場合は、故障している可能性があります。バッテリーを、目視確認が可能で可燃物のない場所に、可燃性の資材から十分な距離を設けて置いてください。バッテリーを冷ます。1時間の経過後にも掴むことのできないほどに熱い場合は、そのバッテリーは故障している可能性があります。Hilti サービスセンターにご連絡いただくか、あるいは「Hilti の Li-Ion バッテリーの安全と使用についての注意事項」をお読みください。

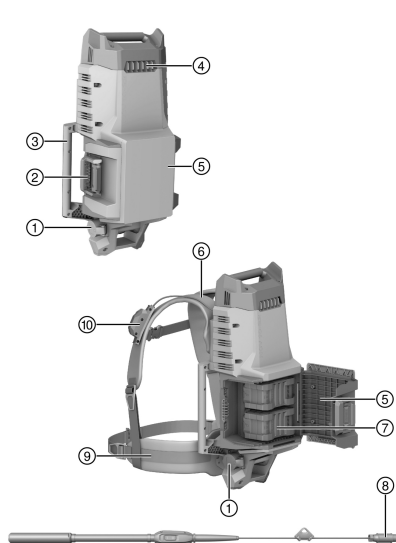


Li-Ion バッテリーの搬送、保管および使用に適用される特別の規則を遵守してください。📖 123 本取扱説明書巻末の QR コードをスキャンして、Hilti の Li-Ion バッテリーの安全と使用についての注意事項をお読みください。



3 製品の説明

3.1 製品概要



- ① コンセント
- ② バッテリー収納部ロッククリップ
- ③ グリップ
- ④ 通気溝
- ⑤ バッテリー収納部カバー
- ⑥ 肩ベルト
- ⑦ バッテリー
- ⑧ ポーカールバイブレーター
- ⑨ 腰ベルト
- ⑩ 操作スイッチ

3.2 正しい使用

本書で説明している製品は、背負うことのできる電源装置です。この電源装置は、エネルギー源としてモデルシリーズ B 22 のHilti のNuron Li-Ion バッテリーを収納するためのものです。この電源装置は、内部モーターを備えたポーカールバイブレーターを操作するためにのみ使用することができます。

- 本製品には、必ずHilti Nuron の B 22 シリーズの Li-Ion バッテリーを使用してください。最適な出力を得るため、Hilti は本製品に対して本取扱説明書の巻末の表に記載されているバッテリーをお勧めします。
- これらのバッテリーには、必ず本取扱説明書の巻末の表に記載されているシリーズのHilti の充電器を使用してください。

3.3 本体標準セット構成

ポータブル電源装置、取扱説明書

その他のご使用の製品用に許可されたシステム製品については、弊社営業担当またはHilti Store にお問い合わせいただくか、あるいはwww.hilti.group でご確認ください。

3.4 Li-Ion バッテリーのインジケーター

Hilti Nuron Li-Ion バッテリーは、充電状態、エラーメッセージ、およびバッテリーの状態を表示することができます。

3.4.1 充電状態およびエラーメッセージの表示



警告

負傷の危険 バッテリーの落下！

- ▶ バッテリーを装着した状態でリリースボタンを押した後は、バッテリーを確実に正しく使用する製品に再ロックするようにしてください。

次の表示を確認するには、バッテリーのリリースボタンを短く押してください。

充電状態および不具合は、接続されている製品がオンになっている間常時表示されます。

状態	意味
4 個の LED (4) が常時緑色で点灯	充電状態：100 %...71 %



2370142

状態	意味
3 個の LED (3) が常時緑色で点灯	充電状態：70 %...51 %
2 個の LED (2) が常時緑色で点灯	充電状態：50 %...26 %
1 個の LED (1) が常時緑色で点灯	充電状態：25 %...10 %
1 個の LED (1) がゆっくり緑色で点滅	充電状態：< 10 %
1 個の LED (1) が高速で緑色で点滅	Li-Ion バッテリーは完全に放電しています。バッテリーを充電してください。 バッテリーの充電の後にも LED が高速で点滅する場合は、Hilti サービスセンターにご連絡ください。
1 個の LED (1) が高速で黄色で点滅	Li-Ion バッテリーまたは接続されている製品が過負荷、過熱、低温の状態にあるか、あるいはその他の不具合が発生しています。 製品とバッテリーを推奨動作温度にし、使用時に製品が過負荷にならないようにしてください。 メッセージが引き続き出力される場合は、Hilti サービスセンターにご連絡ください。
1 個の LED (1) が黄色で点灯	Li-Ion バッテリーとそれと接続されている製品とに互換性がありません。Hilti サービスセンターにご連絡ください。
1 個の LED (1) が高速で赤色で点滅	Li-Ion バッテリーはロックされていて、使用できません。Hilti サービスセンターにご連絡ください。

3.4.2 バッテリーの状態に関する表示

バッテリーの状態を確認するには、リリースボタンを 3 秒を超えて押し続けてください。システムは、落下、異物の貫入、外部の熱源による損傷などの誤った使用に起因するバッテリーの機能異常については検知しません。

状態	意味
すべての LED がチェイサーライトとして点灯し、続いて 1 個の LED (1) が常時緑色で点灯。	バッテリーは引き続き使用することができます。
すべての LED がチェイサーライトとして点灯し、続いて 1 個の LED (1) が速く黄色で点滅。	バッテリーの状態確認を終了することができませんでした。手順を繰り返すか、Hilti サービスセンターにご連絡ください。
すべての LED がチェイサーライトとして点灯し、続いて 1 個の LED (1) が常時赤色で点灯。	接続されている製品を引き続き使用できる場合、バッテリーの残り容量は 50% 未満です。 接続されている製品を引き続き使用することができない場合、バッテリーは寿命に達していて交換の必要があります。Hilti サービスセンターにご連絡ください。

4 製品仕様

システム出力	42.4 V、3PΔ、200 Hz~、1000 W
耐候性	IP X4
作動時の周囲温度	-17 °C ... 40 °C
保管温度	-20 °C ... 70 °C

4.1 バッテリー

バッテリー作動電圧	21.6 V
バッテリー重量	本取扱説明書の巻末を参照してください
作動時の周囲温度	-17 °C ... 60 °C
保管温度	-20 °C ... 40 °C
充電開始時のバッテリー温度	-10 °C ... 45 °C



5 作業準備

警告

負傷の危険 意図しない始動！

- ▶ バッテリーを装着する前に、バッテリーを装着する製品のスイッチがオフになっていることを確認してください。
- ▶ 本体の設定、またはアクセサリーの交換の前にバッテリーを取り外してください。

本書および製品に記載されている安全上の注意と警告表示に注意してください。

5.1 バッテリーを充電する

1. 充電の前に充電器の取扱説明書をお読みください。
2. バッテリーと充電器の電気接点は汚れがなく、乾燥していることを確認してください。
3. バッテリーは許可された充電器で充電してください。 119

5.2 バッテリーを装着する

警告

負傷の危険 短絡あるいはバッテリーの落下！

- ▶ バッテリーを装着する前に、バッテリーの電気接点と製品の電気接点に異物がないことを確認してください。
- ▶ バッテリーが正しくロックされていることを常に確認してください。

1. はじめてお使いになる前にバッテリーをフル充電してください。
2. バッテリー収納部のフラップを開きます。
3. 1つのバッテリーを、ロックする音が聞こえるまで本製品へとスライドさせます。
4. バッテリーがしっかりと装着されていることを確認してください。
5. 2つめのバッテリーについても同じ手順を繰り返します。
6. バッテリー収納部のフラップを閉じます。

5.3 バッテリーを取り外す

1. バッテリー収納部のフラップを開きます。
2. バッテリーのロック解除ボタンを押します。
3. 本製品からバッテリーを抜き取ります。
4. 2つめのバッテリーについても同じ手順を繰り返します。
5. バッテリー収納部のフラップを閉じます。

6 ご使用方法

本書および製品に記載されている安全上の注意と警告表示に注意してください。

6.1 ポータブル電源装置を装着する

1. リュックサックを装着する要領で、本製品を装着します。腕を肩ベルトに通し、肩ベルトを使用者の肩の位置にします。
2. 腰ベルトのクリップロックを閉じます。
3. 腰ベルトを調整します。
 - ▶ 腰ベルトを緩めるには、ベルトクランプを少し傾けます。
 - ▶ 腰ベルトを締めるには、腰ベルトの両終端部を前方へと引きます。
4. 胸ベルトのクリップロックを閉じます。
5. 胸ベルトを調整します。
6. 肩ベルトを調整します。
 - ▶ 肩ベルトを緩めるには、ベルトクランプを傾けます。
 - ▶ ベルト終端部を引き下げて、肩ベルトを張った状態にします。

6.2 ポーカーバイブレーターを接続する

1. コンセントのカバーを開きます。



2. ポーカークバイブレーターの電源プラグをコンセントに差し込みます。
3. テンションリリースを腰ベルトに掛けます。

6.3 コンセントを有効にする

- ▶ コンセントへ電力を供給するには、操作スイッチを有効にしてください。
 - ▶ 緑色のLEDは、コンセントが有効であることを示します。
 - ▶ オレンジ色のLEDは、バッテリーの充電が少ないことを示します。

6.4 ポーカークバイブレーターを操作する

- ▶ 接続されたポーカークバイブレーターの操作については、その取扱説明書をお読みください。

6.5 コンセントを無効にする

ポーカークバイブレーターを使用しての作業を中止する場合は、必ず**NCV 10-22**のコンセントを無効にしてください。

- ▶ コンセントへの電力供給をオフにするには、操作スイッチを無効にします。
 - ▶ LEDが消灯します。



NCV 10-22のコンセントは、30分間使用されないと自動的に無効になります。

7 手入れと保守

警告

バッテリーを装着した状態における負傷の危険！

- ▶ 手入れや保守作業の前に必ずバッテリーを取り外してください！

製品の手入れ

- 付着した汚れを慎重に除去してください。
- 汚れが付着している場合は、通気溝を乾いた柔らかいブラシを使用して慎重に掃除してください。
- 必ず少し湿した布でハウジングを拭いてください。シリコンを含んだ磨き粉はプラスチック部品をいためる可能性があるため使用しないでください。
- 本製品の電気接点を清掃するには、清潔な乾いた布を使用してください。

Li-Ion バッテリーの手入れ

- 通気溝が詰まっているバッテリーは決して使用しないでください。通気溝を乾いた柔らかいブラシを使用して慎重に掃除してください。
- バッテリーを不必要に粉じんや汚れに曝さないようにしてください。バッテリーは、決して高い湿度に曝さないでください(例：水中に沈める、あるいは雨中に放置する)。
- 水分が浸入したバッテリーは、損傷したものと取り扱ってください。そのようなバッテリーは不燃性の容器に隔離し、**Hilti** サービスセンターにご連絡ください。
- バッテリーには、本製品に使用しているのではないオイルやグリスが付着しないようにしてください。バッテリーに不必要な粉じんあるいは汚れが堆積しないようにしてください。バッテリーは、乾いた柔らかいブラシまたは乾いた布で清掃してください。シリコンを含んだ磨き粉はプラスチック部品をいためる可能性があるため使用しないでください。
- バッテリーの電気接点に手を触れないでください、また、工場出荷時に塗布されているグリスを電気接点からぬぐい取らないでください。
- 必ず少し湿した布でハウジングを拭いてください。シリコンを含んだ磨き粉はプラスチック部品をいためる可能性があるため使用しないでください。

保守

- 目視確認可能なすべての部品については損傷の有無を、操作エレメントについては問題なく機能することを定期的に点検してください。
- 損傷および/または機能に問題のある場合は、本製品を使用しないでください。速やかに**Hilti** サービスセンターに本製品の修理を依頼してください。
- 手入れおよび保守作業の後には、すべての安全機構を取り付けて、それらが問題なく作動するか点検してください。



i 安全な作動のために、必ず純正のスペアパーツと消耗品を使用してください。本製品向けにHiltiが承認したスペアパーツ、消耗品およびアクセサリは、弊社営業担当またはHilti Storeにお問い合わせいただくか、あるいはwww.hilti.group

8 バッテリー式工具およびバッテリーの搬送および保管

搬送

注意

搬送時の予期しない始動！

- ▶ お使いの製品は、必ずバッテリーを装着していない状態で搬送してください！
- ▶ バッテリーを取り外してください。
- ▶ バッテリーは決して梱包しない状態で搬送しないでください。搬送中のバッテリーは、他のバッテリー電極と接触して短絡の原因となることを防ぐために、過大な衝撃や振動から保護し、あらゆる導電性の物体あるいは他のバッテリーから隔離する必要があります。バッテリーの搬送に関する各国(地域)の規則を遵守してください。
- ▶ バッテリーは郵送しないでください。損傷していないバッテリーを送付する場合は、運送業者を手配してください。
- ▶ 使用の前にその都度、また長距離の搬送の前には、製品とバッテリーに損傷がないか点検してください。

保管上の注意事項

警告

故障したあるいは液漏れしたバッテリーによる予期しない損傷！

- ▶ お使いの製品は、必ずバッテリーを装着していない状態で保管してください！
- ▶ 製品とバッテリーは涼しくて乾燥した場所に保管してください。製品仕様に記載されている温度の限界値に注意してください。
- ▶ バッテリーは充電器内で保管しないでください。充電の後は、必ずバッテリーを充電器から取り出してください。
- ▶ バッテリーを太陽の直射下、熱源の上、窓際等で保管しないでください。
- ▶ 製品およびバッテリーは、子供や権限のない人が手を触れることのないようにして保管してください。
- ▶ 使用の前にその都度、また長期にわたる保管の前には、製品とバッテリーに損傷がないか点検してください。

9 故障時のヒント

すべての不具合において、バッテリーの充電状態および故障インジケーターを確認してください。Li-Ionバッテリーのインジケーターの章を参照してください。

この表に記載されていない、あるいはご自身で解消することのできない故障が発生した場合は、弊社営業担当またはHilti サービスセンターにご連絡ください。

故障	考えられる原因	解決策
バッテリーが「カチツ」と音がするまでロックされない。	バッテリーのロックノッチが汚れている。	▶ ロックノッチを清掃してバッテリーを改めてロックしてください。
製品がオンにならない。	バッテリーが放電している。	▶ バッテリーを交換し、空のバッテリーを充電してください。
	バッテリーが完全に装着されていない。	▶ バッテリーを「カチツ」と音がするまでロックしてください。



警告

誤った廃棄による負傷の危険！ 漏出するガスあるいはバッテリー液により健康を損なう危険があります。

- ▶ 損傷したバッテリーを送付しないでください！
- ▶ 短絡を防止するために接続部を非導電性のもので覆ってください。
- ▶ バッテリーは子供が手を触れることのないように廃棄してください。
- ▶ バッテリーの廃棄は、最寄りのHilti Storeあるいは適切な廃棄物処理業者に依頼してください。

Hilti 製品の大部分の部品はリサイクル可能です。リサイクル前にそれぞれの部品は分別して回収されなければなりません。多くの国でHiltiは、古い工具をリサイクルのために回収しています。詳細については弊社営業担当またはHilti 代理店・販売店にお尋ねください。



- ▶ 電動工具、電子機器およびバッテリーを一般ゴミとして廃棄してはなりません！

11 メーカー保証

- ▶ 保証条件に関するご質問は、最寄りのHilti 代理店・販売店までお問い合わせください。

12 その他の情報

ご使用方法、技術、環境保護およびリサイクルに関するその他の情報については、qr.hilti.com/manual/?id=2370140&id=2370142 のリンクをご確認ください。このリンクは、取扱説明書の巻末にも QR コードとして記載されています。

오리지널 사용 설명서

1 사용 설명서 관련 정보

1.1 본 사용 설명서에 관하여

- 경고! 제품을 사용하기 전에, 제품과 함께 제공되는 사용 설명서와 설명서에 제시된 지침, 안전상의 주의사항 및 경고사항, 그림 및 사양 등을 잘 읽고 이해해야 합니다. 특히 모든 지침, 안전상의 주의사항 및 경고사항, 그림, 사양과 구성 요소 및 기능을 숙지해야 합니다. 유의하지 않을 경우, 감전, 화재 발생 및/또는 중상을 입을 위험이 있습니다. 추후 사용 시에도 활용할 수 있도록 관련 지침, 안전상의 주의사항 및 경고사항이 포함된 사용 설명서를 잘 보관하십시오.
- 제품은 전문가용으로 설계되어 있으며, 해당 교육을 이수한 공인된 작업자를 통해서만 조작, 유지보수 및 수리 작업을 진행할 수 있습니다. 이 기술자는 발생할 수 있는 위험에 대해 특별 교육을 받은 상태여야 합니다. 교육을 받지 않은 사람이 제품을 부적절하게 취급하거나 규정에 맞지 않게 사용할 경우에는 기기와 그 보조기구에 의해 부상을 당할 위험이 있습니다.
- 함께 제공되는 사용 설명서는 인쇄 시점의 최신 기술 버전을 반영하여 작성됩니다. 최신 버전은 항상 Hilti 제품 사이트의 온라인 버전을 참조하십시오. 온라인 버전을 참고하고자 할 경우, 본 사용 설명서에 제시된 링크 혹은 기호로 표시된 QR 코드를 클릭하십시오.
- 제품을 다른 사람에게 양도할 때는 본 사용 설명서도 반드시 함께 넘겨주십시오.

수입업체(상호)명: 힐티코리아㈜

A/S: 080-220-2000

1.2 기호 설명

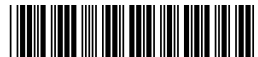
1.2.1 경고사항

본 제품을 다루면서 발생할 수 있는 위험에 대한 경고사항. 다음과 같은 시그널 워드가 사용됩니다.

위험!

위험!

- ▶ 이 기호는 직접적인 위험을 표시합니다. 만약 지키지 않으면 심각한 부상을 당하거나 사망할 수도 있습니다.



⚠ 경고

경고!

- ▶ 이 기호는 잠재적인 위험을 표시합니다. 만약 지키지 않으면 심각한 부상을 당하거나 사망할 수도 있습니다.

⚠ 주의

주의!

- ▶ 이 기호는 잠재적인 위험 상황을 표시합니다. 만약 지키지 않으면 부상 또는 물적 손실을 입을 수 있습니다.

1.2.2 사용 설명서에 사용된 기호

본 사용 설명서에서 사용되는 기호는 다음과 같습니다.

	사용 설명서에 유의하십시오
	적용 지침 및 기타 유용한 사용정보
	재사용이 가능한 자재 취급방법
	전기 기기 및 배터리를 일반 가정의 쓰레기처럼 폐기해서는 안 됨
	Hilti 리튬 이온 배터리
	Hilti 충전기

1.2.3 그림에 사용된 기호

다음과 같은 기호가 그림에 사용됩니다.

	이 숫자는 본 사용 설명서 첫 부분에 있는 해당 그림을 나타냅니다.
3	그림에 매겨진 번호는 중요한 작업 순서 또는 작업 순서에 중요한 부분을 나타냅니다. 텍스트에 해당 작업 순서 또는 해당 번호가 매겨진 부품이 강조 표시됩니다(예: (3)).
	항목 번호는 개요 그림에서 사용되며 제품 개요 단락에 나와 있는 기호 설명 번호를 나타냅니다.
	이 표시는 제품을 다룰 때, 특별히 주의할 사항을 나타냅니다.

1.3 제품 관련 기호

1.3.1 제품에 사용된 기호

제품에 사용되는 기호는 다음과 같습니다.

	본 제품은 iOS 및 Android 플랫폼과 호환 가능한 NFC 기술을 지원합니다.
Li-Ion	리튬이온 배터리
	배터리는 절대 타격 공구로 사용해서는 안 됩니다.
	배터리를 떨어뜨리지 마십시오. 타격을 받은 적이 있거나 다른 손상이 있는 배터리는 사용하지 마십시오.

1.4 제품 정보

HILTI 제품은 전문가용으로 설계되어 있으며, 해당 교육을 이수한 공인된 작업자를 통해서만 조작, 유지 보수 및 수리 작업을 진행할 수 있습니다. 이 기술자는 발생할 수 있는 위험에 대해 특별 교육을 받은 상태여야 합니다. 교육을 받지 않은 사람이 제품을 부적절하게 취급하거나 규정에 맞지 않게 사용할 경우에는 기기와 그 보조기구에 의해 부상을 당할 위험이 있습니다.

형식 명칭 및 일련 번호는 형식 라벨에 제시되어 있습니다.



- ▶ 일련 번호를 다음의 표에 옮기십시오. 대리점 또는 서비스 센터에 문의할 경우 제품 제원이 필요합니다.
제품 제원

배낭	NCV 10-22
세대	01
일련 번호	

1.5 적합성 선언

본 제조사는 단독 책임 하에 여기에 기술된 제품이 통용되는 법 규정 및 규범과 일치함을 밝힙니다. 적합성 증명서 사본은 본 문서 끝 부분에서 확인할 수 있습니다.

기술 문서는 이곳에 기술되어 있습니다.

Hilti Entwicklungsgesellschaft mbH | Zulassung Geräte | Hiltistraße 6 | 86916 Kaufering, DE

2 안전

2.1 안전상의 주의사항

⚠ 경고 해당 전동 공구와 함께 동봉된 모든 안전상의 주의 사항, 지침, 그림 및 기술자료를 숙지하십시오. 다음과 같은 지침 내용을 준수하지 않으면 전기 충격, 화재가 발생하거나 그리고/또는 중상을 입을 수 있습니다. 앞으로 모든 안전상의 주의사항과 지침을 보관하십시오.

- ▶ 기술적 하자가 없는 상태에서만 제품 및 액세서리를 사용하십시오.
- ▶ 어떠한 경우에도 제품 또는 액세서리를 변경하거나 개조하지 마십시오.
- ▶ 떨어지는 공구 및/또는 액세서리로 인한 부상 위험. 작업을 시작하기 전에 배터리 및 설치된 액세서리가 안전하게 고정되어 있는지 확인하십시오.
- ▶ 신중하게 작업하십시오. 작업에 정신을 집중하고 전동 공구를 사용할 때 경솔하게 행동하지 마십시오. 피곤하거나 항정신성 약물, 술 또는 약물 복용시에는 전동 공구를 사용하지 마십시오. 전동 공구 사용 시 이에 유의하지 않을 경우 중대한 상해를 초래할 수 있습니다.
- ▶ 제품 및 액세서리는 본 지침에 따라서만 사용하십시오. 이때 작업 조건과 실시하려는 작업 내용을 고려하십시오. 원래 사용 분야가 아닌 다른 작업에 전동 공구를 사용할 경우, 위험한 상황을 초래할 수 있습니다.
- ▶ 전동 공구를 유의해서 관리하십시오. 기기의 가동 부위가 완벽하게 작동하는지, 끼어 있지 않은지, 혹은 부품이 손상되거나 파손되어 있어 전동 공구의 기능을 저하시키지 않는지 점검하십시오. 기기 사용 전 손상된 부품을 수리하도록 하십시오. 제대로 관리되지 않은 전동 공구는 많은 사고를 유발합니다.
- ▶ 이 전동 공구를 여러번 사용해 왔다고 해서 안전하다고 안심하지 말고 전동 공구에 해당되는 안전 규칙을 무시하지 마십시오. 부주의하게 행할 경우 아주 짧은 순간에 중상을 입을 수 있습니다.
- ▶ 제품을 물 속에서 또는 다른 액체 내에서 교체하지 마십시오.

배터리 공구의 취급과 사용

- ▶ 제조회사가 권장한 충전기에만 배터리를 충전시키십시오. 특정한 형식의 배터리를 사용하도록 규정되어 있는 충전기에 다른 배터리를 사용할 경우 화재 발생의 위험이 있습니다.
- ▶ 전동 공구에 적합하게 규정된 배터리만 사용하십시오. 다른 배터리를 사용하면 부상을 입을 수 있고, 화재가 발생할 수 있습니다.
- ▶ 배터리를 사용하지 않을 경우 클립, 동전, 키, 못, 나사 또는 다른 소형 금속 물질로부터 사용하지 않는 배터리를 멀리 떨어뜨려 놓아주십시오. 배터리 간 단락으로 인한 연소 또는 화재를 초래할 수 있습니다.
- ▶ 잘못 사용할 경우, 배터리로부터 전해액이 흘러나올 수 있습니다. 전해액을 직접 만지지 마십시오. 실수로 만졌을 경우, 물로 씻으십시오. 전해액이 눈에 들어갔으면, 의사와 상담하십시오. 배터리로부터 흘러나온 전해액은 피부를 손상시킬 수 있으며, 화재를 발생시킬 수 있습니다.
- ▶ 손상된 배터리 또는 변경된 배터리를 사용하지 마십시오. 손상된 배터리 또는 변경된 배터리는 예상치 못한 상황 및 화재, 폭발 또는 부상 위험을 초래할 수 있습니다.
- ▶ 배터리에서 불꽃이 발생하거나 또는 배터리가 너무 높은 온도에 노출되지 않게 하십시오. 불꽃 또는 온도가 130 °C (265 °F)를 넘으면 폭발을 일으킬 수 있습니다.
- ▶ 충전에 관한 모든 지침을 준수하여 배터리 또는 배터리 공구를 절대 사용 설명서에 제시된 범위를 벗어난 온도에서 충전하지 마십시오. 잘못 충전하거나 허용된 범위를 벗어난 온도에서 충전하면 배터리가 파손되어 화재 발생 위험이 높아질 수 있습니다.

2.2 배터리의 올바른 사용방법과 취급방법

- ▶ 리튬 이온 배터리를 보다 안전하게 취급하고 사용할 수 있도록 다음과 같은 안전상의 주의 사항에 유의하십시오. 유의하지 않을 경우 피부 자극, 심각한 부식성 부상, 화학 화상, 화재 및/또는 폭발을 유발할 수 있습니다.
- ▶ 기술적 하자가 없는 상태에서만 배터리를 사용하십시오.



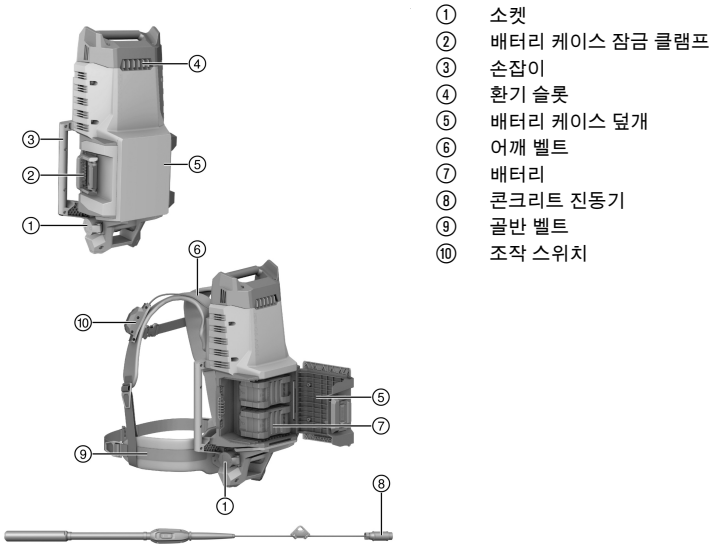
- ▶ 배터리를 조심히 다루어 손상되지 않고, 건강에 유해한 액체가 흘러나오지 않게 하십시오!
- ▶ 배터리는 어떠한 경우에도 개조 또는 변조해서는 안 됩니다!
- ▶ 배터리를 분해하거나 강한 압력 또는 80 °C (176 °F) 이상의 열을 가하거나 연소시켜서는 안 됩니다.
- ▶ 타격을 받은 적이 있거나 다른 손상이 있는 배터리는 사용 또는 충전하지 마십시오. 손상될 기미가 보이는 지 정기적으로 점검하십시오.
- ▶ 재활용 또는 수리한 배터리는 절대 사용하지 마십시오.
- ▶ 배터리 또는 배터리 구동식 전동 공구를 절대 타격 공구로 사용하지 마십시오.
- ▶ 배터리가 직사광선, 고온, 스파크 또는 불꽃에 절대 노출되지 않도록 하십시오. 이로 인해 폭발이 발생할 수 있습니다.
- ▶ 배터리 전극을 손가락, 공구, 장신구 또는 다른 전도성 물체를 통해 만지지 마십시오. 이는 배터리 손상, 물적 손상 및 부상을 유발할 수 있습니다.
- ▶ 배터리가 비 또는 습기 및 액체에 노출되지 않게 하십시오. 습기가 유입되면 단락, 감전, 화재, 불꽃 및 폭발이 일어날 수 있습니다.
- ▶ 배터리 타입에 해당되는 충전기 및 전동공구만 사용하십시오. 이를 위해 해당 사용 설명서에 적혀 있는 내용을 확인하십시오.
- ▶ 폭발 위험이 있는 환경에서 배터리를 사용하거나 보관하지 마십시오.
- ▶ 배터리를 잡기에 너무 뜨거운 경우에는 고장일 수 있습니다. 배터리를 인화성 물질과 충분한 거리를 둔 상태에서 눈에 잘 띄며 불이 잘 붙지 않는 장소에 두십시오. 배터리를 냉각시키십시오. 한 시간 후에도 계속 해서 배터리를 잡기에 너무 뜨거운 경우에는 배터리에 결함이 있을 수 있습니다. Hilti 서비스 센터에 문의하거나 "안전 및 Hilti 리튬 이온 배터리 작업 관련 지침" 문서 내용을 확인하십시오.



리튬 이온 배터리의 운반, 보관 및 사용 시 적용되는 특수 가이드라인에 유의하십시오. 131
 안전 및 Hilti 리튬 이온 배터리 작업 관련 지침은 본 사용 설명서의 끝부분에 제시된 QR 코드를 통해 확인할 수 있습니다.

3 제품 설명

3.1 제품 개요



- ① 소켓
- ② 배터리 케이스 잠금 클램프
- ③ 손잡이
- ④ 환기 슬롯
- ⑤ 배터리 케이스 뒷면
- ⑥ 어깨 벨트
- ⑦ 배터리
- ⑧ 콘크리트 진동기
- ⑨ 골반 벨트
- ⑩ 조작 스위치

3.2 규정에 따른 용도

기술된 제품은 등에서 전원을 공급할 수 있는 장치입니다. 본 전원 장치는 모델시리즈 B 22의 Hilti Nuron 리튬 이온 배터리를 에너지원으로 적용하기 위한 용도로 사용됩니다. 본 전원 장치는 안쪽에 놓인 모터를 이용해 콘크리트 진동기를 작동하는 용도로만 사용됩니다.



- 본 제품에는 모델시리즈 B 22의 Hilti Nuron 리튬이온 배터리만 사용하십시오. Hilti는 출력을 최적화할 수 있도록 본 제품에 본 사용 설명서의 끝부분 표에 명시된 배터리를 사용할 것을 권장합니다.
- 해당 배터리에는 본 사용 설명서 끝부분 표에 명시된 모델시리즈의 Hilti 충전기만 사용하십시오.

3.3 공급품목

휴대용 전원 장치, 사용 설명서

해당 제품에 허용되는 기타 시스템 제품은 **Hilti Store** 또는 다음 사이트에서 확인할 수 있습니다.
www.hilti.group

3.4 리튬이온 배터리 표시

Hilti Nuron 리튬 이온 배터리는 충전 상태, 오류 메시지 및 배터리 상태를 표시할 수 있습니다.

3.4.1 충전 상태 및 오류 메시지 표시



경고

부상 위험 떨어지는 배터리로 인한 위험!

- ▶ 배터리가 끼워진 상태에서 잠금해제 버튼을 누른 경우, 배터리가 사용하는 제품에 다시 제대로 고정되었는지 확인하십시오.

다음과 같은 표시를 확인하려면, 배터리 잠금해제 버튼을 짧게 누르십시오.

연결된 제품의 전원이 켜져 있는 동안 충전 상태 및 발생 가능한 기능 장애 내용도 계속 표시됩니다.

상태	의미
4개 LED가 녹색으로 계속 점등됩니다	충전 상태: 100 % ~ 71 %
3개 LED가 녹색으로 계속 점등됩니다	충전 상태: 70 % ~ 51 %
2개 LED가 녹색으로 계속 점등됩니다	충전 상태: 50 % ~ 26 %
1개 LED가 녹색으로 계속 점등됩니다	충전 상태: 25 % ~ 10 %
1개 LED가 녹색으로 느리게 깜박입니다	충전 상태: < 10 %
1개 LED가 녹색으로 빠르게 깜박입니다	리튬이온 배터리가 완전히 방전되었습니다. 배터리를 충전하십시오. 배터리 충전 후에도 계속해서 LED가 빠르게 깜박이면, Hilti 서비스 센터에 문의해 주십시오.
1개 LED가 황색으로 빠르게 깜박입니다	리튬 이온 배터리 또는 배터리와 관련된 제품이 과부하되었거나, 너무 뜨겁거나 차갑거나 또는 다른 오류가 발생했습니다. 제품 및 배터리를 권장하는 작동 온도 상태로 유지하고, 제품을 사용하지 않을 경우 제품에 과부하가 걸리지 않도록 하십시오. 해당 메시지가 계속 존재하는 경우, Hilti 서비스 센터에 문의해 주십시오.
1개 LED가 황색으로 점등됩니다	리튬이온 배터리 및 배터리가 연결된 제품과 호환되지 않습니다. Hilti 서비스 센터에 문의해 주십시오.
1개 LED가 적색으로 빠르게 깜박입니다	리튬이온 배터리 사용이 금지되어 더 이상 사용할 수 없습니다. Hilti 서비스 센터에 문의해 주십시오.

3.4.2 배터리 상태 표시

배터리 상태를 조회하려면, 잠금해제 버튼을 3초 이상 누르고 계십시오. 낙하, 틈새 발생, 외부 요인으로 인한 열 손상 등 잘못된 사용으로 인해 시스템에서 잠재적으로 발생할 수 있는 배터리의 오작동을 감지하지 못합니다.

상태	의미
작동 표시등으로 모든 LED가 점등된 후 1개 LED가 녹색으로 계속 점등됩니다.	배터리를 계속해서 사용할 수 있습니다.
작동 표시등으로 모든 LED가 점등된 후 1개 LED가 황색으로 빠르게 깜박입니다.	배터리 상태 조회를 종료할 수 없습니다. 해당 과정을 반복하거나 Hilti 서비스 센터에 문의해 주십시오.



상태	의미
작동 표시등으로 모든 LED가 점등된 후 1개 LED가 적색으로 계속 점등됩니다.	연결된 제품을 계속해서 사용할 수 없는 경우, 남아 있는 배터리 용량이 50% 미만입니다. 연결된 제품을 계속해서 사용할 수 없는 경우, 배터리의 수명이 다 되어 교체해야 합니다. Hilti 서비스 센터에 문의해 주십시오.

4 기술자료

시스템 출력	42,4 V, 3PA, 200 Hz~, 1000 W
보호기준	IP X4
작동 시 주변 온도	-17 °C ... 40 °C
보관 온도	-20 °C ... 70 °C

4.1 배터리

배터리 모드 전압	21.6V
배터리 무게	본 사용 설명서의 끝부분 참조
작동 시 주변 온도	-17 °C ... 60 °C
보관 온도	-20 °C ... 40 °C
충전 시작 시 배터리 온도	-10 °C ... 45 °C

5 작업 준비

경고

부상 위험 돌발적인 작동!

- ▶ 배터리를 끼우기 전에 해당 제품의 전원이 꺼져 있는지 확인하십시오.
- ▶ 기기 설정 또는 액세서리를 교체하기 전에 배터리를 제거하십시오.

본 문서 및 제품에 나와 있는 안전 지침 및 경고 지침에 유의하십시오.

5.1 배터리 충전

1. 충전하기 전에 충전기의 사용 설명서를 읽으십시오.
2. 배터리 및 충전기의 접점이 청결하고 건조한 상태인지 확인하십시오.
3. 허용되는 충전기에서 배터리를 충전하십시오. 127

5.2 배터리 삽입

경고

부상 위험 부상 위험!

- ▶ 배터리를 끼우기 전에 배터리의 접점 및 제품의 접점에 이물질이 남아 있지 않은지 확인하십시오.
- ▶ 배터리가 제대로 고정되었는지 확인하십시오.

1. 처음으로 사용하기 전, 배터리를 완전히 충전하십시오.
2. 배터리 케이스의 덮개를 여십시오.
3. 배터리가 제품에 고정되는 소리가 들릴 때까지 미십시오.
4. 배터리가 정확하게 설치되어 있는지 점검하십시오.
5. 두 번째 배터리에도 해당 과정을 반복하십시오.
6. 배터리 케이스의 덮개를 닫으십시오.

5.3 배터리 제거

1. 배터리 케이스의 덮개를 여십시오.
2. 배터리의 잠금 해제 버튼을 누르십시오.
3. 배터리를 제품에서 빼내십시오.
4. 두 번째 배터리에도 해당 과정을 반복하십시오.



5. 배터리 케이스의 덮개를 닫으십시오.

6 조작

본 문서 및 제품에 나와 있는 안전 지침 및 경고 지침에 유의하십시오.

6.1 휴대용 전원 공급

1. 배낭을 매듯이 제품을 착용하십시오. 팔을 어깨 벨트 사이로 넣은 후 어깨 벨트를 어깨 위에 올립니다.
2. 골반 벨트의 핀 잠금장치를 닫으십시오.
3. 골반 벨트를 조정하십시오.
 - ▶ 골반 벨트를 느슨하게 할 때는 벨트 클램프를 젖히십시오.
 - ▶ 골반 벨트를 조일 때는 골반 벨트의 양쪽 끝부분을 앞으로 당기십시오.
4. 골반 벨트의 핀 잠금장치를 닫으십시오.
5. 가슴 벨트를 조정하십시오.
6. 어깨 벨트를 조정하십시오.
 - ▶ 어깨 벨트를 느슨하게 하려면, 벨트 클램프를 젖히십시오.
 - ▶ 벨트의 끝부분을 아래로 내려 어깨 벨트를 조이십시오.

6.2 콘크리트 진동기 연결

1. 소켓을 여십시오.
2. 콘크리트 진동기의 전원 플러그를 소켓에 끼우십시오.
3. 골반 벨트에 변형 방지장치를 거십시오.

6.3 소켓 활성화

- ▶ 소켓에 에너지를 공급하려면 조작 스위치를 활성화하십시오.
 - ▶ 녹색 LED는 소켓이 활성화되었음을 의미합니다.
 - ▶ 주황색 LED는 배터리 충전 용량이 낮음을 의미합니다.

6.4 콘크리트 진동기 조작

- ▶ 연결된 콘크리트 진동기를 조작하려면 해당 사용 설명서를 숙지하십시오.

6.5 소켓 비활성화

콘크리트 진동기를 이용해 작업을 설정하는 경우, 항상 **NCV 10-22**의 소켓도 비활성화하십시오.

- ▶ 소켓에 에너지를 공급을 차단하려면 조작 스위치를 비활성화하십시오.
 - ▶ LED가 꺼집니다.



NCV 10-22의 소켓은 사용하지 않으면 30 분 후에 자동으로 비활성화됩니다.

7 관리 및 유지보수

경고

배터리가 끼워진 상태에서 부상 위험!

- ▶ 관리 및 수리 작업을 진행하기 전에 항상 배터리를 제거하십시오!

제품 관리

- 공구에 부착되어 있는 오염물질을 조심스럽게 제거하십시오.
- 오염물질이 있는 경우, 부드러운 마른 솔로 환기 슬롯을 조심스럽게 청소하십시오.
- 약간 물기가 있는 수건으로만 하우징을 청소해 주십시오. 플라스틱 부품을 손상시킬 수 있으므로 절대로 실리콘이 함유된 보호제를 사용하지 마십시오.
- 제품의 접점을 청소하려면 깨끗하고 마른 천을 사용하십시오.

리튬 이온 배터리 관리

- 환기 슬롯이 막힌 상태에서는 절대 배터리를 사용하지 마십시오. 부드러운 마른 솔로 환기 슬롯을 조심스럽게 청소하십시오.



- 배터리가 불필요하게 먼지 또는 오염물에 노출되지 않도록 하십시오. 배터리를 절대 습도가 높은 곳에 두지 마십시오(예: 물 속에 담그거나 비내리는 곳에 두는 행위).
배터리에 물이 들어가면, 손상된 배터리처럼 취급하십시오. 물이 들어간 배터리는 비가연성 용기에서 절연시킨 후, Hilti 서비스 센터에 문의해 주십시오.
- 배터리를 외부 오일 및 그리스가 묻지 않도록 깨끗하게 유지하십시오. 배터리에 불필요하게 먼지 또는 오염물이 쌓이지 않도록 하십시오. 배터리를 부드러운 마른 솔 또는 깨끗하고 마른 걸레로 닦아내십시오. 플라스틱 부품을 손상시킬 수 있으므로 절대로 실리콘이 함유된 보호제를 사용하지 마십시오.
배터리의 접점에 접촉하지 말고, 접점에서 공구축에 부착된 그리스를 제거하지 마십시오.
- 약간의 물기가 있는 수건으로만 하우징을 청소해 주십시오. 플라스틱 부품을 손상시킬 수 있으므로 절대로 실리콘이 함유된 보호제를 사용하지 마십시오.

유지보수

- 눈에 보이는 모든 부품은 정기적으로 손상 여부를 점검하고, 조작성소가 문제 없이 작동하는지 점검하십시오.
- 손상되었거나 기능 장애가 있는 경우에는 제품을 작동하지 마십시오. 즉시 Hilti 서비스 센터에 제품 수리를 의뢰하십시오.
- 관리 및 수리 작업 후 모든 보호장치를 가져와 기능에 이상이 없는지 점검하십시오.



안전하게 작동하기 위해서는 순정품 예비 부품 및 소모품만 사용하십시오. Hilti에서 승인한 예비 부품, 소모품 및 액세서리는 Hilti Store 또는 www.hilti.group에서 확인할 수 있습니다.

8 충전식 공구 및 배터리 운반 및 보관

운반



주의

운반 시 돌발적으로 작동됨!

- ▶ 제품은 항상 배터리를 장착하지 않은 상태로 운반하십시오!
- ▶ 배터리를 분리하십시오.
- ▶ 배터리를 고정하지 않은 채로 운반해서는 절대 안 됩니다. 운반하는 도중 배터리에 과도한 충격을 받거나 진동이 발생하지 않게 하고 모든 전도성 소재 또는 다른 배터리로부터 분리시켜 다른 배터리 전극에 닿지 않고 단락이 발생하지 않게 하십시오. 배터리와 관련된 현지 운반 규정에 유의하십시오.
- ▶ 배터리는 우편을 통해 전달할 수 없습니다. 손상이 없는 배터리를 전송하고자 하는 경우 배송업체에 문의하십시오.
- ▶ 제품 및 배터리를 사용하기 전에 그리고 장시간 운반한 후에는 항상 손상 여부를 점검하십시오.

보관



경고

배터리 결함 또는 방전으로 인한 돌발적인 손상!

- ▶ 제품은 항상 배터리를 장착하지 않은 상태로 보관하십시오!
- ▶ 제품 및 배터리를 냉각 및 건조시켜 보관하십시오. 기술자료에 제시된 허용 온도 한계값에 유의하십시오.
- ▶ 배터리를 충전기에 보관하지 마십시오. 충전 후에는 항상 배터리를 충전기에서 분리하십시오.
- ▶ 배터리는 절대 직사광선이 들어오는 곳, 열원 위 또는 유리 뒤쪽에 보관하지 마십시오.
- ▶ 제품 및 배터리는 건조한 상태로 어린이나 외부인의 손이 닿지 않는 곳에 보관하십시오.
- ▶ 제품 및 배터리를 사용하기 전에 그리고 장시간 보관한 후에는 항상 손상 여부를 점검하십시오.

9 문제 발생 시 도움말

장애 발생 시 항상 배터리의 충전 상태 및 고장 표시 내용에 유의하십시오. 리튬이온 배터리 표시 단원을 참조하십시오.

본 도표에 제시되어 있지 않거나 스스로 해결할 수 없는 문제가 발생한 경우 Hilti 서비스 센터에 문의해 주십시오.

장애	예상되는 원인	해결책
배터리를 밀어 넣을 때 철컹하는 소리가 들리지 않음.	배터리 래치가 오염됨.	▶ 배터리 래치를 청소하고 배터리를 다시 끼우십시오.
제품의 전원이 켜지지 않음.	배터리가 방전되었음.	▶ 배터리를 교체하고 방전된 배터리를 충전하십시오.



장애	예상되는 원인	해결책
제품의 전원이 켜지지 않음.	배터리가 완전하게 삽입되지 않음.	▶ 찰칵하는 소리가 들리도록 배터리를 맞물려 고정시키십시오.

10 폐기

경고

부적절한 폐기로 인한 부상 위험! 새어나오는 가스 또는 용액으로 인한 건강상의 위험.

- ▶ 손상된 배터리는 전달하지 마십시오!
- ▶ 비전도성 소재로 연결 단자를 막아 두어 단락이 발생하지 않게 하십시오.
- ▶ 배터리가 어린이의 손에 닿지 않도록 폐기하십시오.
- ▶ **Hilti Store**에서 배터리를 폐기하거나 또는 담당 폐기물 처리 업체에 문의하십시오.

Hilti 제품은 대부분 재사용이 가능한 소재로 제작되었습니다. 재활용을 위해 개별 부품을 분리하여 주십시오. **Hilti**는 대부분의 국가에서 재활용을 위해 노후기기를 수거해 갑니다. **Hilti** 고객 서비스 센터 또는 판매 담당자에게 문의하십시오.



- ▶ 전통 공구, 전자기 기기 및 배터리를 일반 가정 쓰레기로 폐기하지 마십시오!

11 제조회사 보증

- ▶ 보증 조건에 관한 질문사항은 현지 **Hilti** 파트너사에 문의하십시오.

12 기타 정보

작동법, 기술, 환경 및 재활용에 대한 세부 정보는 다음 링크에서 확인할 수 있습니다:

qr.hilti.com/manual/?id=2370140&id=2370142

해당 링크는 본 사용 설명서 끝에 QR 코드 형식으로도 제시되어 있습니다.

原始操作說明

1 關於操作說明的資訊

1.1 關於本操作說明

- 注意！在使用本產品之前，請確保您已閱讀並瞭解產品隨附的操作說明書，包括說明、安全性和警示注意事項、圖解和規格。尤其是熟悉所有說明、安全性和警示注意事項、圖解、規格、組件和功能。若未遵守，可能會導致觸電、火災和/或嚴重傷害的風險。妥善保存操作說明書，包括所有說明、安全性和警示注意事項，以備日後使用。
- 產品是針對專業使用者設計，故僅經訓練、認可的人員可操作、維修與維護本產品。必須告知上述人員關於可能遭遇到的特殊危險。若因未經訓練人員操作錯誤或未依照其原本的用途操作，則本產品和它的輔助工具設備有可能會發生危險。
- 隨附的操作說明書符合印刷時的最新技術水準。您隨時可在Hilti產品頁面上尋找最新版本。為此，請點選操作說明書中標示符號的連結或QR碼。
- 將產品交予他人時，必須連同本操作說明書一併轉交。

僅適用於台灣

進口商: 喜利得股份有限公司

地址: 新北市板橋區

新站路16號24樓22041

電話: 0800-221-036

1.2 已使用的符號解釋

1.2.1 警告

警告您在操作或使用本產品時可能發生之危險。採用了以下標示文字：



⚠ 危險

危險！

- ▶ 此標語警示會發生對人造成嚴重傷害甚至致死的危險情形。

⚠ 警告

警告！

- ▶ 此標語警示會造成嚴重傷害甚至致死危險的潛在威脅。

⚠ 注意

注意！

- ▶ 請小心會造成人員受傷或對設備及其他財產造成損害的潛在危險情況。

1.2.2 操作說明中的符號

本操作說明中採用以下符號：

	請遵照操作說明
	使用說明與其他資訊
	處理可回收的材料
	不可將電子設備與電池當作家庭廢棄物處置
	Hilti 鋰電池
	Hilti 充電器

1.2.3 圖解中的符號

圖解中採用了以下符號：

	號碼對應操作說明的開始處的圖解。
	圖解中的編號表示重要的工作步驟或對工作步驟重要的元件。在文字中，這些工作步驟或元件以對應的數字明顯顯示，例如 (3) 。
	概覽圖解中使用位置編號，方便您對應到 產品概覽 段落中的圖例編號。
	本符號是為了讓您在操作本產品時可以注意某些重點。

1.3 產品專屬符號

1.3.1 產品上的符號

產品上會採用下列符號：

	本產品支援近距離無線通訊（NFC）技術，其相容於iOS及Android平台。
	鋰電池
	請勿將電池使用作為敲擊工具。
	避免電池掉落。不得使用遭受衝擊或其他原因造成損壞的電池。

1.4 產品資訊

HILTI 產品是針對專業使用者設計，故僅經訓練、認可的人員可操作、維修與維護本產品。必須告知上述人員關於可能遭遇到的特殊危險。若因未經訓練人員操作錯誤或未依照其原本的用途操作，則本產品和它的輔助工具設備有可能會發生危險。類型名稱和序號都標示於額定銘牌上。



- ▶ 在下方表格中填入序號。與Hilti維修中心或當地Hilti機關聯絡查詢產品相關事宜時，我們需要您提供產品詳細資訊。

產品資訊

背包	NCV 10-22
產品代別	01
序號	

1.5 符合聲明

基於製造商唯一的責任，本公司在此聲明本產品符合適用法規及標準。本文件結尾處有符合聲明之副本。技術文件已歸檔：

Hilti Entwicklungsgesellschaft mbH | Tool Certification | Hiltistrasse 6 | D-86916 Kaufering, Germany

2 安全性**2.1 安全操作說明**

⚠ 警告 請詳讀本電動工具所附之所有安全說明及其他操作說明、圖片與技術資料等。未能遵守以下說明可能會造成觸電、火災和/或嚴重的傷害。

保留所有安全操作說明和其他操作說明，以供日後參考。

- ▶ 僅在本產品和配件能正常運轉時使用。
- ▶ 勿嘗試以任何方式改裝產品或配件。
- ▶ 掉落的工具和配件有導致受傷的危險。開始作業前，請確認電池和安裝的附件已確實固定。
- ▶ 操作電子機具時，請提高警覺，注意進行中的工作並善用常識。若您感到疲倦或仍處於藥品、酒精或藥物的影響，請勿使用本電子機具。如使用本電子機具稍有不慎，可能會導致嚴重傷害。
- ▶ 僅可依照本說明使用本產品及配件。請考量工作條件以及欲進行的工作。將機具用在原目的之外之用途可能會造成危險。
- ▶ 請妥善保養機具。檢查移動性零件是否正常運作且未卡住，並確定沒有零件破裂或損壞，如此一來才不會影響電子機具的操作。如果機具受損，請先修理再使用。很多意外便是由維護不當的機具造成的。
- ▶ 即便您已多次使用並熟悉本機具，仍請勿疏於安全意識及輕忽機具安全規範。疏忽大意可能在轉眼間即造成嚴重傷害。
- ▶ 請勿將產品浸入水中或任何其他液體中。

使用與操作充電式機具

- ▶ 務必使用原廠建議的充電器為電池充電。將特定型號電池之充電器用於不同型號之電池可能有起火的風險。
- ▶ 僅在機具中使用指定的電池。使用其他的電池可能會造成人員傷亡與火災。
- ▶ 電池匣如果不使用，請將其遠離如迴紋針、錢幣、鑰匙、針、固定釘或其他會在電池兩極間形成連接的小型金屬物件。電池正負極短路可能造成燒傷或起火的危險。
- ▶ 若使用不當，可能有液體由電池流出。避免碰觸此液體。若不慎接觸，請以清水沖洗。如果眼睛接觸到該液體，請立即就醫。從電池中滲出的液體，可能會導致皮膚疼痛或灼傷。
- ▶ 不可使用受損或改裝過的電池。受損或改裝過的電池可能無法如預期運作並有造成失火、爆炸或受傷的風險。
- ▶ 請勿讓電池接觸火焰或暴露在高溫下。火燄或超過130 °C (265 °F) 的高溫會造成爆炸。
- ▶ 對電池充電時請遵守所有相關操作說明，請不要在操作說明所述溫度範圍外為電池或電動工具充電。不當充電或在認可的溫度範圍外充電會使電池損壞並增加火災的風險。

2.2 小心處理和使用電池

- ▶ 請遵守下列安全操作和使用鋰電池的安全注意事項。若未遵守，可能造成皮膚不適、嚴重腐蝕、化學燙傷、起火和/或爆炸。
- ▶ 請使用狀態完好無損的電池。
- ▶ 請小心處理電池，以避免其受損以及防止會嚴重危及健康的液體流出！
- ▶ 電池嚴禁修改或改裝！
- ▶ 請勿拆解、擠壓或焚燒電池，且不可將電池置放在溫度超過80°C (176°F) 的環境中。
- ▶ 電池受過衝擊或其他損壞後，請勿使用或充電。請定期檢查電池是否有損壞的跡象。
- ▶ 請勿使用回收或維修過的電池。
- ▶ 請勿將電池或電池供電之機具作為鎚子使用。
- ▶ 請勿讓電池暴露在直接日曬、溫度過高、有火花或明火的環境中，否則可能導致爆炸。



- ▶ 請勿用手指、工具、珠寶或其他會導電的物品觸摸電池極柱，否則可能導致電池損壞、財物損失和人員受傷。
- ▶ 電池應避免淋雨、潮濕和水氣。水氣滲入會造成短路、觸電、燙傷、起火和爆炸。
- ▶ 請使用適用於該電池型號的充電器與電動工具。請詳閱並遵守相關操作說明書中的說明。
- ▶ 請勿在易爆炸環境中使用或存放電池。
- ▶ 若電池溫度過高無法觸摸，表示電池可能已經毀損。將電池放在清楚可見且沒有火災危險、遠離易燃材料的位置。讓電池冷卻。若一小時後電池溫度仍然過高無法觸摸，表示電池可能已經毀損。請洽詢Hilti維修中心或詳讀「Hilti鋰電池安全注意事項和使用」文件。

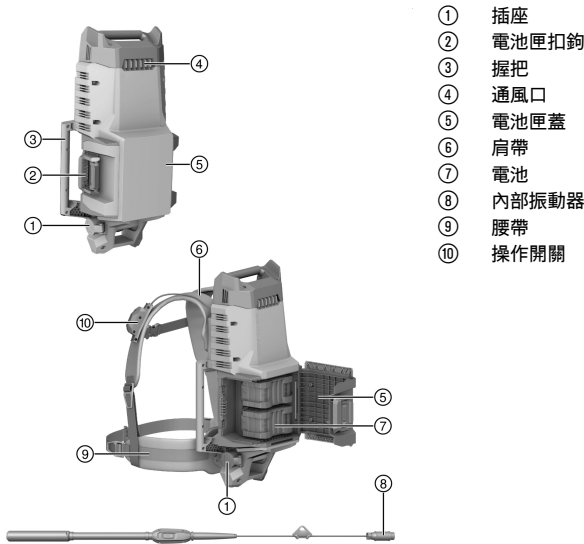


請遵守適用於運輸、存放和使用鋰離子電池的專用指令。📖 138

請透過本操作說明書末尾的條碼取得並詳讀Hilti鋰電池安全注意事項和使用。

3 說明

3.1 產品總覽



- ① 插座
- ② 電池匣扣鉤
- ③ 握把
- ④ 通風口
- ⑤ 電池匣蓋
- ⑥ 肩帶
- ⑦ 電池
- ⑧ 內部振動器
- ⑨ 腰帶
- ⑩ 操作開關

3.2 用途

此處所述產品為後背型可攜式電源供應器。本電源設計可裝入B 22B Hilti Nuron系列鋰電池做為電源供應器。本電源的設計僅適用於帶有內置馬達的內部振動器。

- 本產品限使用B 22Hilti Nuron系列鋰電池。為達最理想的效能，Hilti建議本產品使用本操作說明書末尾表格中所列的電池。
- 僅可使用本操作說明末尾表格中所列的Hilti系列的電池充電器為電池充電。

3.3 項目供應數

可攜式電源供應器，操作說明

關於本產品，您可於當地Hilti Store或網站查詢其他經過認證可搭配使用的系統產品：www.hilti.group

3.4 鋰電池的顯示幕

Hilti Nuron鋰電池會顯示電池的電力、錯誤訊息和狀態。



3.4.1 電力和錯誤訊息的顯示



警告

有受傷的危險！因電池掉落

▶ 電池已插入時，請在按下拆卸鈕後確保電池重新正確地卡入所使用的產品中。

如欲獲得下列其中一個顯示畫面，請短按電池拆卸鈕。

只要已連接的產品已啟動，也會持續顯示充電狀態和可能的功能故障。

狀態	意義
四個 (4) LED持續亮綠燈	充電狀態：100 %至71 %
三個 (3) LED持續亮綠燈。	充電狀態：70 %至51 %
兩個 (2) LED持續亮綠燈。	充電狀態：50 %至26 %
一個 (1) LED持續亮綠燈。	充電狀態：25 %至10 %
一個 (1) LED緩慢閃綠燈。	充電狀態：< 10 %
一個 (1) LED快速閃綠燈。	鋰電池已完全沒電。裝入電池。 電池充電後若LED仍快速閃爍，請洽詢Hilti維修中心。
一個 (1) LED快速閃黃燈。	鋰電池或與之連接的產品過載、溫度太高、溫度太低或有其他故障情形。 請讓產品和電池維持在建議的操作溫度，並在使用時不要使產品過載。 若訊息持續存在，請洽詢Hilti維修中心。
一個 (1) LED黃亮燈	鋰電池和與其連接的產品不相容。請聯絡Hilti維修中心。
一個 (1) LED快速閃紅燈	鋰電池已鎖定，無法繼續使用。請聯絡Hilti維修中心。

3.4.2 顯示電池狀態

如欲檢查電池狀態，請按住拆卸鈕3秒鐘以上。系統無法偵測到電池因掉落、刺穿、外部熱損傷等錯誤使用造成的潛在功能故障。

狀態	意義
所有LED以跑馬燈形式亮起，然後一個LED持續亮起綠色。	電池仍可繼續使用。
所有LED以跑馬燈形式亮起，然後一個LED快速閃爍黃色。	無法完成有關電池狀態的查詢。請重複上述程序或洽詢Hilti維修中心。
所有LED以跑馬燈形式亮起，然後一個LED持續亮起綠色。	若連接之產品仍可繼續使用，剩餘的電池容量會低於50%。 若連接之產品無法使用，表示電池已達最終使用壽命，應進行更換。請聯絡Hilti維修中心。

4 技術資料

系統輸出功率	42.4 V、3PΔ, 200 Hz~、1000 W
防護等級	IP X4
操作時的環境溫度	-17 °C ... 40 °C
貯放溫度	-20 °C ... 70 °C

4.1 電池

電池操作電壓	21.6 V
電池重量	請參閱本操作說明書結尾處
操作時的環境溫度	-17 °C ... 60 °C
貯放溫度	-20 °C ... 40 °C
電池充電啟動溫度	-10 °C ... 45 °C



5 工作場所的準備工作

警告

有受傷的風險！因意外啟動

- ▶ 置入電池前，請確認產品已關閉。
- ▶ 在調整機具或變更配件前請先將電池拆下。

請遵守本文中與產品上的安全說明和警告。

5.1 為電池充電

1. 電池充電前，請閱讀充電器的操作手冊。
2. 確認電池的接點和充電器的接點清潔且乾燥。
3. 請使用經認可的充電器對電池充電。 135

5.2 置入電池

警告

有受傷的危險 因短路或電池掉落！

- ▶ 置入電池前，請確認電池的接點及產品的接點上無任何異物。
- ▶ 確認電池已確實咬合。

1. 初次使用前，請將電池完全充電。
2. 打開電池匣的蓋子。
3. 將電池推入產品中，直到聽到卡入聲。
4. 請檢查電池是否安裝牢固。
5. 對第二個電池重複此過程。
6. 關上電池匣的蓋子。

5.3 卸下電池

1. 打開電池匣的蓋子。
2. 按下電池拆卸鈕。
3. 將電池從產品卸下。
4. 對第二個電池重複此過程。
5. 關上電池匣的蓋子。

6 操作

請遵守本文中與產品上的安全說明和警告。

6.1 穿戴可攜式電源供應器 2, 3, 4, 5, 6, 7

1. 將本產品像背包一樣套在身上。將手臂穿過肩帶，然後將肩帶置於肩上。
2. 將背帶夾扣扣上。
3. 調整腰帶。
 - ▶ 請將固定夾傾斜，以便放鬆背帶。
 - ▶ 請將腰帶的兩端往前拉，即可將之拉緊固定。
4. 將胸帶夾扣扣上。
5. 調整胸帶。
6. 請調整胸帶。
 - ▶ 傾斜固定夾，即可放鬆肩帶。
 - ▶ 將綁帶末端往下拉，即可拉緊肩帶。

6.2 連接內部振動器

1. 打開插座護蓋。
2. 內部振動器的電源插頭插入插座。
3. 將應力釋放件掛在腰帶上。



6.3 啟用插座

- ▶ 啟用操作開關，為插座供電。
 - ▶ 綠色LED燈代表插座已啟用。
 - ▶ 橙色LED燈代表電池電量過低。

6.4 操作內部振動器

- ▶ 若要操作內部振動器，請閱讀其操作說明書。

6.5 停用插座

您使用內部振動器設定工作時，也請務必停用NCV 10-22的插座。

- ▶ 停用操作開關，以關閉插座供電。
 - ▶ LED燈



NCV 10-22的插座會在30分鐘不使用後自動停用。

7 維護及保養



警告

電池裝入時有受傷的危險！

- ▶ 進行維護及保養前，請務必卸下電池！

產品保養

- 小心地清除頑強的髒污。
- 若有，請使用乾燥的軟刷子小心地清潔通風口。
- 僅可使用微濕的軟布清潔機殼。請勿使用含矽膠的清潔或亮光劑，因為可能會造成塑膠零件損壞。
- 請使用乾淨的乾布清潔產品的接點。

鋰電池的保養

- 通風口堵塞時請勿使用電池。請使用乾燥的軟刷子小心地清潔通風口。
- 請避免電池暴露在粉塵或髒污的環境之中。請勿讓電池接觸過高的濕氣（例如：浸入水中或淋雨）。電池若濕透，請將該電池視為已受損。請將電池隔絕在不可燃的容器內，並洽詢Hilti維修中心。
- 避免電池沾上油脂。避免讓電池上積聚粉塵或髒污。請使用乾燥的軟刷或乾淨的乾布清潔電池。請勿使用含矽膠的清潔或亮光劑，因為可能會造成塑膠零件損壞。請勿觸摸電池的觸點或從觸點上去除出廠塗敷的油脂
- 僅可使用微濕的軟布清潔機殼。請勿使用含矽膠的清潔或亮光劑，因為可能會造成塑膠零件損壞。

維護

- 定期檢查外部零件和控制元件有無損壞跡象，並確認它們運作正常。
- 如果有損壞跡象及/或任何零件功能故障，請不要運行本產品。請將產品交付Hilti維修中心進行維修。
- 維護及修復作業後，裝上所有保護裝置並檢查功能是否正常。



為確保運作的安全及可靠性，請務必使用原廠Hilti備件與耗材。您可以在Hilti Store或在以下網站選購Hilti認可的備用零件、耗材和配件：www.hilti.group

8 充電式機具和電池的運輸與存放

搬運



注意

搬運時意外啟動！

- ▶ 搬運產品時務必卸下電池！
- ▶ 取出電池。
- ▶ 切勿散裝運輸電池。運送過程中，應保護電池避免衝擊與震動並與導電物質或其他電池隔離，以免因與電池端子接觸而造成短路。請遵守您所在地當地的電池運輸規範。
- ▶ 請勿以郵寄方式遞送電池。若要運送未損壞之電池，請洽詢運送服務商。
- ▶ 每次使用前以及長途運輸前後請檢查本產品和電池是否受損。



設備的貯放

警告

瑕疵或漏液的電池所造成的意外損害！

- ▶ 存放產品時，一律不可插入電池！
- ▶ 請將本產品和電池存放在陰涼及乾燥處。請遵守技術性數據中所規定的溫度極限值。
- ▶ 請勿將電池貯放在充電器中。完成充電程序後，請將電池從充電器取出。
- ▶ 請勿將電池存放在有日光直射處、熱源上或玻璃後方。
- ▶ 請將本產品和電池存放在兒童或未授權人員無法觸及的地點。
- ▶ 每次使用前以及長時間存放前後請檢查本產品和電池是否受損。

9 故障排除

發生任何故障時，請您留意電池充電狀態及故障指示燈。請參閱**鋸電池指示器**章節。

若您遇到未列出的問題或是無法自行排除的問題，請聯絡**Hilti**維修中心。

故障	可能原因	解決方法
電池咬合時不會發出喀啦聲。	電池上的卡榫太髒。	▶ 清潔卡榫並重新安裝電池。
產品無法開啟。	電池電量不足。	▶ 更換電池，並對無電量的電池再次充電。
	電池沒有完全置入。	▶ 壓下電池直到聽見咬合時發出的喀啦聲。

10 廢棄設備處置

警告

不當的廢棄物處理可能導致人員受傷！洩漏出來的氣體或液體有害健康。

- ▶ 請勿以郵寄方式寄送電池。
- ▶ 將電池端子蓋上不導電物質（例如絕緣膠帶）以避免短路。
- ▶ 請將電池棄置於兒童無法觸及的地方。
- ▶ 請將該電池送交**Hilti Store**處理或洽詢權責的廢棄處理公司。

Hilti產品所採用的材料大部分均可回收再利用。材料在回收前必須正確地分類。**Hilti**在許多國家都有提供老舊機具回收服務。請洽詢**Hilti**客服中心或您在地經銷商。



- ▶ 不可將電動工具、電動裝置和電池當成一般垃圾丟棄！

11 製造商保固

- ▶ 如果您對於保固條件有任何問題，請聯絡當地**Hilti**代理商。

Hilti Taiwan Co., Ltd.

24F., No. 16, Xinzhan Rd., Banqiao Dist., New Taipei City 220, Taiwan (R.O.C.)

Tel. 0800-221-036

12 其他資訊

有關於操作、技術、環境和回收的更多資訊，請參考以下連結：

qr.hilti.com/manual/?id=2370140&id=2370142

你也可在本操作說明結尾處找到本連結的QR碼。



原版操作说明

1 关于本操作说明的信息

1.1 关于本操作说明

- 警告！在使用本产品之前，请确保您已阅读并理解产品随附的操作说明，包括说明、安全和警告通知、插图和规格。尤其要熟悉所有说明、安全和警告通知、插图、规格、组件和功能。否则可能会导致触电、火灾和/或严重伤害的风险。保存操作说明，包括所有说明、安全和警告通知，以供以后使用。
- 产品经设计适用于专业用户，只有经过专门训练的授权人员才允许操作、维修和维护本产品。必须将任何可能的危险专门告知该人员。不按照说明使用或由未经培训的人员不正确地使用本产品及其辅助设备可能会带来危险。
- 随附的操作说明符合印刷时的最新技术水平。始终在 Hilti 产品页面上在线查找最新版本。为此，请点击这些操作说明中标有 符号的链接或二维码。
- 仅将产品连同本操作说明一起交给他人。

1.2 所用标志的说明

1.2.1 警告

警告是为了提醒您在使用此产品时会发生的危险。使用以下信号词：

-危险-

危险！

- 用于让人们能够注意到会导致严重身体伤害或致命的迫近危险。

-警告-

警告！

- 用于提醒人们注意可能导致严重或致命伤害的潜在危险。

-小心-

小心！

- 用于提醒人们注意可能造成人身伤害、设备损坏或其他财产损失的潜在危险情况。

1.2.2 操作说明中的符号

本操作说明中使用下列符号：

	遵守操作说明
	使用说明和其他有用信息
	处理可回收材料
	不得将电气设备和电池作为生活垃圾处置
	Hilti 锂离子电池
	Hilti 充电器

1.2.3 图示中的符号

图示中使用了下列符号：

	这些编号指本操作说明开始处的相应图示。
	图示中的编号表示重要的操作步骤或对操作步骤重要的部件。这些操作步骤或部件在文本中使用相应的编号突出显示，例如 (3)。
	位置编号被用于概览图中并表示产品概览段落中的图例编号。
	这些符号旨在提醒您在操作本产品时要特别注意的某些要点。



1.3 与产品相关的符号

1.3.1 产品上的符号

产品上使用下列符号：

	本产品支持近场通信 (NFC) 技术，兼容 iOS 和安卓平台。
Li-Ion	锂离子电池
	切勿将电池用作敲击工具。
	请勿让电池掉落。切勿使用受到撞击或有任何损坏的电池。

1.4 产品信息

HILTI 产品经设计适用于专业用户，只有经过专门训练的授权人员才允许操作、维修和维护本产品。必须将任何可能的危险专门告知该人员。不按照既定用途使用或由未经培训的人员不正确地使用本产品及其辅助设备可能会带来危险。

型号名称和序列号印在铭牌上。

- ▶ 在下表中填写序列号。在联系 Hilti 维修中心或当地 Hilti 机构询问产品时，将要求您提供产品的详细信息。
产品信息

背包	NCV 10-22
代次	01
序列号	

1.5 符合性声明

制造商全权负责声明，此处所述及的产品符合现行法规和标准。一致性声明副本位于本文档结尾处。

技术文档在此处归档：

Hilti Entwicklungsgesellschaft mbH | Tool Certification | Hiltistrasse 6 | D-86916 Kaufering, Germany

2 安全

2.1 安全说明

警告 阅读所有安全说明及与本电动工具一起提供的其他说明、图片和技术数据。不遵守以下说明会导致电击、火灾和/或严重伤害。

妥善保留所有安全预防措施和说明，以供将来参考。

- ▶ 只有产品和附件处于良好的技术状态时才能使用。
- ▶ 切勿以任何方式擅自改动或改装本产品或附件。
- ▶ 工具和/或附件掉落会带来人身伤害的危险。开始工作前请检查电池和安装的附件是否已牢牢固定。
- ▶ 保持警觉，注意您正在执行的作业，并且在操作电动工具的过程中利用自己的常识判断。如果感到疲劳或受毒品、酒精或药物的影响，请勿使用电动工具。使用电动工具时，粗心大意可能会导致严重的人身伤害。
- ▶ 仅遵照本操作说明使用产品和附件。同时要考虑工作环境和将要执行的工作。将电动工具用于指定用途以外的场合可能会导致危险情形。
- ▶ 保管好电动工具。检查并确认运动部件运转良好且未卡住，并确保相关部件不存在可能导致本电动工具无法正常工作的断裂或损坏。使用设备之前，修理受损的部件。许多事故都是由于电动工具维护不良造成的。
- ▶ 不要令自己产生虚假的安全感，不要轻视电动工具的安全规则，即使在多次使用后已经熟悉电动工具时也不例外。操作时粗心大意可能在瞬间造成严重伤害。
- ▶ 请勿将产品浸入水中或其他液体。

使用和操作无线电动工具

- ▶ 充电时只能使用制造商指定的充电器。充电器只能用于特定类型的电池，用于其他电池会产生火灾隐患。
- ▶ 仅限在电动工具中使用指定电池。使用其他电池可能造成伤害和火灾风险。
- ▶ 当电池不使用时，使其远离其他金属物体，例如纸夹、硬币、钥匙、钉子、螺钉或可能导致端子之间出现桥接的其他小型金属物体。电池端子之间短路会导致烧伤或火灾。



- ▶ 如果使用不当，液体可能从电池中泄漏。注意避免接触该液体。如果意外接触到液体，应用水冲洗。如果液体接触到眼睛，除了用大量水冲洗之外，还应立即就医。从电池泄漏的液体会导致皮肤刺激或灼伤。
- ▶ 不要使用损坏或改装过的电池。损坏或改装过的电池性能不可预测，可能导致火灾、爆炸或伤害风险。
- ▶ 不要将电池暴露在明火或过高的温度中。明火或高于 130 °C (265 °F) 的温度可能导致爆炸。
- ▶ 遵守有关电池充电的所有说明，切勿在操作说明中规定的温度范围之外对电池或电池供电工具充电。充电不正确或在允许的温度范围之外充电会损坏电池并增加火灾风险。

2.2 小心处理和使用电池

- ▶ 请遵守以下关于安全操作和使用锂离子电动工具电池的安全提示。若未能遵守，会导致皮肤刺激、严重的腐蚀伤、化学烫伤、火灾和/或爆炸。
- ▶ 只有电池处于良好的技术状态时才能使用。
- ▶ 请小心地处理电池，以防损坏电池和避免对健康极有害的液体泄漏！
- ▶ 严禁改装或篡改电池！
- ▶ 不要分解、挤压或焚烧电池，不要将其暴露在高于 80 °C (176 °F) 的温度条件下。
- ▶ 对于遭受过撞击或有其他损坏的电池，切勿使用或对其进行充电。定期检查电池是否有损坏的迹象。
- ▶ 切勿使用回收的或修理过的电池。
- ▶ 切勿将电池或电池供电的电动工具用作锤子。
- ▶ 切勿将电池暴露在直射的阳光下、高温、火花或明火中。可能会导致爆炸。
- ▶ 切勿用手指、工具、珠宝或其他导电物体接触电池极片。否则会损坏电池，造成财产损失和人身伤害。
- ▶ 确保电池远离雨水、潮气和液体。受潮会导致短路、漏电、燃烧、火灾或爆炸。
- ▶ 仅限使用经批准用于特定电池类型的充电器和电动工具。阅读并遵守相关操作说明中的规定。
- ▶ 不得在易爆环境中存放或使用电池。
- ▶ 如果电池发热烫手，则可能有故障。请将电池放在醒目且无火灾风险的地方，并与易燃物品保持足够距离。让电池自行冷却。如果一小时后电池仍然发热烫手，则表示存在故障。请联系 Hilti 维修中心或阅读文档“有关 Hilti 锂离子电池安全性和使用的提示”。

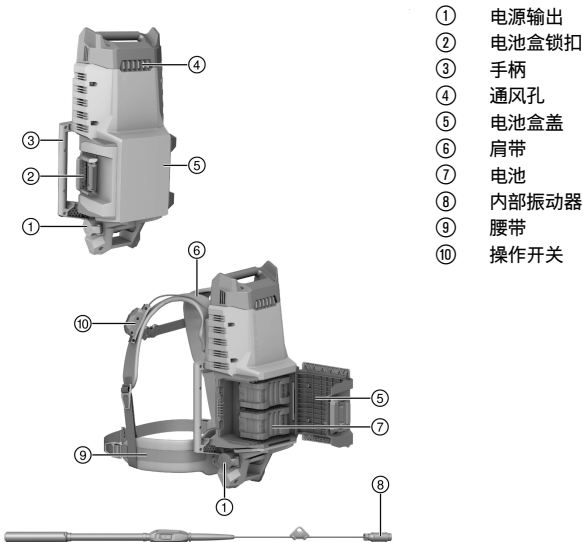


请遵守适用于锂离子电池运输、存储和使用的特殊准则。 146

请通过扫描该操作说明末尾的二维码来阅读有关 Hilti 锂离子电池安全性和使用的提示。

3 说明

3.1 产品概览



- ① 电源输出
- ② 电池盒锁扣
- ③ 手柄
- ④ 通风孔
- ⑤ 电池盒盖
- ⑥ 肩带
- ⑦ 电池
- ⑧ 内部振动器
- ⑨ 腰带
- ⑩ 操作开关



3.2 合规使用

所述产品是一款可以背着的便携式电源。该电源用于承接用作电源的 Hilti Nuron B 22 系列锂离子电池。该电源仅规定用于通过内置马达运行内部振荡器。

- 本产品只能与 Hilti Nuron B 22 系列锂离子电池搭配使用。为确保最佳功率，Hilti 建议为本产品使用该操作说明末尾表格中给出的电池。
- 此类电池仅限使用该操作说明末尾表格所规定型号系列的 Hilti 充电器充电。

3.3 包装清单

便携式电源、操作说明

经认证可配合本产品使用的其它系统产品，可以通过您当地的 **Hilti Store** 购买或通过以下网址订购：
www.hilti.group

3.4 锂离子电池指示灯

Hilti Nuron 锂离子电池可以显示电池的充电状态、出错信息和状态。

3.4.1 充电状态和出错信息的显示



-警告-

人身伤害的危险！电池掉落的风险！

- ▶ 在插入电池的情况下按压解锁按钮后，确保将电池重新正确锁定在所用的产品中。

请短暂按压电池的解锁按钮，以获得下列指示灯指示之一。

只要连接的产品已接通，便会持续显示充电状态和可能的故障。

状态	含义
四个 (4) LED 灯持续亮起绿光	充电状态：100 % 至 71 %
三个 (3) LED 灯持续亮起绿光	充电状态：70 % 至 51 %
两个 (2) LED 灯持续亮起绿光	充电状态：50 % 至 26 %
一个 (1) LED 灯持续亮起绿光	充电状态：25 % 至 10 %
一个 (1) LED 灯缓慢闪绿光	充电状态：< 10 %
一个 (1) LED 灯快速闪绿光	锂离子电池电量耗尽。为电池充电。 如果在为电池充电后 LED 灯始终快速闪烁，请联系 Hilti 维修中心。
一个 (1) LED 灯快速闪黄光	锂离子电池或与其相连的产品过载、过热、过冷或存在其他故障。 使产品和电池达到建议的工作温度，并且在使用时不要使产品过载。 如果信息仍然存在，请联系 Hilti 维修中心。
一个 (1) LED 灯亮起黄光	锂离子电池和连接的产品不兼容。请联系 Hilti 维修中心。
一个 (1) LED 灯快速闪红光	锂离子电池被锁定且无法继续使用。请联系 Hilti 维修中心。

3.4.2 电池状态的显示

如要检查电池状态，请按住解锁按钮三秒钟以上。系统未检测到由于掉落、刺穿、外部热损坏等错误使用而引起的电池潜在故障。

状态	含义
所有 LED 灯都作为运行灯亮起，接着有一个 (1) LED 灯持续亮绿光。	电池可以继续使用。
所有 LED 灯都作为运行灯亮起，接着有一个 (1) LED 灯快速闪黄光。	未能完成电池状态的查询。请重复该过程或联系 Hilti 维修中心。
所有 LED 灯都作为运行灯亮起，接着有一个 (1) LED 灯持续亮红光。	如果仍然可以继续使用所连接的产品，则电池剩余电量不足 50%。 如果无法再使用所连接的产品，则电池的使用寿命即将结束，应予以更换。请联系 Hilti 维修中心。



4 技术数据

系统输出功率	42.4 V, 3PΔ, 200 Hz~, 1000 W
保护等级	IP X4
适合工作的环境温度	-17 °C ... 40 °C
存放温度	-20 °C ... 70 °C

4.1 电池

电池工作电压	21.6 V
电池重量	参见操作说明结尾
适合工作的环境温度	-17 °C ... 60 °C
存放温度	-20 °C ... 40 °C
电池充电起始温度	-10 °C ... 45 °C

5 工作现场的准备工作

-警告-

人身伤害的危险！意外启动的风险！

- ▶ 插入电池前，确保已关闭产品。
- ▶ 对电动工具执行任何调节或更换配件前，先取出电池。

请遵守本文档中以及产品上的安全说明和警告。

5.1 给电池充电

1. 为电池充电之前，请阅读充电器的操作说明。
2. 确保电池和充电器上的触点均清洁、干燥。
3. 使用认可的充电器为电池充电。 143

5.2 插入电池

-警告-

人身伤害的危险 短路或电池掉落会带来人身伤害的危险！

- ▶ 装入电池之前，确保电池和产品上的触点上均无异物。
- ▶ 确保电池接合正确。

1. 在首次使用电池之前，要给电池完全充电。
2. 打开电池盒的翻板。
3. 将电池推入产品，直至听到卡止声。
4. 检查并确认电池已可靠就位。
5. 在第二个电池上重复该过程。
6. 关闭电池盒的翻板。

5.3 拆下电池

1. 打开电池盒的翻板。
2. 按下电池解锁按钮。
3. 从产品中取出电池。
4. 在第二个电池上重复该过程。
5. 关闭电池盒的翻板。

6 操作

请遵守本文档以及产品上的安全说明和警告。



6.1 佩戴便携式电源 2, 3, 4, 5, 6, 7

1. 像背包那样背上本产品。将手臂穿过肩带，并将肩带放到肩上。
2. 关上腰带的锁扣。
3. 调整腰带。
 - ▶ 翻开带扣，以松开腰带。
 - ▶ 将腰带的两端向前拉，以将其张紧。
4. 关上胸带的锁扣。
5. 调整胸带。
6. 调整肩带。
 - ▶ 翻开带扣，以松开肩带。
 - ▶ 将束带端向下拉，以将肩带张紧。

6.2 连接内部振动器 3

1. 打开插座的盖板。
2. 将内部振动器的电源插头插入插座。
3. 将防拉扣挂到腰带上。

6.3 启用插座 9

- ▶ 请启用操作开关，以便接通插座电源。
 - ▶ 绿色 LED 灯表示插座已启用。
 - ▶ 橙色 LED 灯表示电池电量低。

6.4 操作内部振动器

- ▶ 如需操作已连接的内部振动器，请阅读相关操作说明。

6.5 停用插座 9

如要通过内部振动器设置操作，也请务必停用 NCV 10-22 的插座。

- ▶ 请停用操作开关，以便关闭插座电源。
 - ▶ LED 灯熄灭。



如不使用 NCV 10-22 插座，则其将在 30 分钟后自动停用。

7 维护和保养

-警告-

插入电池时存在人身伤害危险！

- ▶ 执行维护和保养任务之前，请务必先取出电池。

工具的保养

- 请小心去除顽固的污垢。
- 如果有污垢，请用干燥的软毛刷小心地清洁通风孔。
- 请仅使用微湿的抹布清洁外壳。不要使用含硅清洁剂，否则可能腐蚀塑料件。
- 请使用洁净干燥的抹布来清洁产品的接头。

锂离子电池的保养

- 切勿使用通风槽堵塞的电池。用干燥的软毛刷小心地清洁通风槽。
- 避免不必要地将电池暴露在粉尘或污垢中。切勿将电池暴露在高湿度的环境中 (例如将其浸在水中或放在雨中)。
 - 如果电池浸湿，请如处理损坏的电池那样对其进行处理。将其隔离在不可燃的容器中，然后联系 Hilti 维修中心。
- 确保电池远离油和油脂。切勿让不必要的粉尘或脏污积聚在电池上。用干燥的软毛刷或干燥柔软的布清洁电池。不要使用含硅清洁剂，否则可能腐蚀塑料件。
 - 请勿触摸电池触点或从触点上去除出厂涂的油脂。
- 请仅使用微湿的抹布清洁外壳。不要使用含硅清洁剂，否则可能腐蚀塑料件。



维护

- 定期检查所有可见部件和控制器是否出现损坏迹象，确保其全部正常工作。
- 如果发现产品有损坏和/或有功能故障，请不要使用。立即将本产品交给 Hilti 维修中心修复。
- 清洁和维护之后，安装所有护板或保护装置并检查其功能是否正常。



为确保安全和可靠的操作，仅使用 Hilti 原装备件和耗材。经 Hilti 许可可与产品搭配使用的备件、耗材和附件可到您当地的 Hilti Store 购买或访问：www.hilti.group

8 电池型工具和电池的运输及存储

运输



运输途中的意外启动！

- ▶ 运输产品前务必将电池取出！
- ▶ 取下电池。
- ▶ 切勿松散、未加保护地运输电池。在运输过程中，应保护电池免受过度冲击或振动影响，并将其与任何导电材料或其它电池分开（因为它们可能会接触到电池端子并导致短路）。请遵守当地的电池运输规定。
- ▶ 请勿以邮寄方式运送电池。有关如何运送完好电池的说明，请咨询您的发货商。
- ▶ 每次使用前以及长时间运输前后都要检查产品和电池是否损坏。

存放



故障或泄漏的电池会导致意外损坏！

- ▶ 仅可在未插入电池的情况下存放产品！
- ▶ 请将产品和电池存放到凉爽干燥的地方。请遵守技术数据中规定的温度极限值。
- ▶ 请勿将电池存放在充电器中。充电过程结束后请始终将电池从充电器中取出。
- ▶ 切勿将电池存放在阳光下、热源上或玻璃后。
- ▶ 请将本产品 and 电池存放在儿童或非授权人员无法接近的位置。
- ▶ 每次使用前以及长时间存放前后都要检查产品和电池是否损坏。

9 故障排除

出现任何故障时，都应注意电池充电状态和故障指示灯。参见锂离子电池指示灯一章。

如果您碰到的问题未在此表中列出或您无法自行排除，请联系 Hilti 维修中心。

故障	可能原因	解决方案
电池在嵌入时没有发出“咔哒”声。	电池上的固定凸耳脏污。	▶ 清洁固定凸耳，然后重新安装电池。
无法启动本产品。	电池放电。	▶ 更换电池，并对已放电电池充电。
	电池未完全插入。	▶ 让电池嵌入，直到听到“咔哒”声。

10 废弃处置



废弃处理不当会有人身伤害的危险！漏出的气体或液体会带来健康危害。

- ▶ 不得通过邮寄方式发送任何电池。
- ▶ 用非导电材料（比如绝缘带）包住端子，以防止短路。
- ▶ 在儿童接触不到的地方处置电池。
- ▶ 请将电池送交 Hilti Store 处置，或咨询当地的废弃处理机构以获取处置说明。

制造 Hilti 产品所用的大部分材料都可回收利用。在可以回收之前，必须正确分离材料。Hilti 在很多国家都提供旧工具回收服务。请咨询 Hilti 客户服务部门或您的销售顾问。



- ▶ 不要将电动工具、电子设备和电池扔进家庭垃圾中！



11 制造商保修

- ▶ 如对保修条件有任何疑问，请联系您当地的 Hilti 代表。

12 更多信息

关于操作、技术、环保和回收的更多信息请查看以下链接：qr.hilti.com/manual/?id=2370140&id=2370142
操作说明末尾也提供二维码链接。





EC Declaration of Conformity | UK Declaration of Conformity



Manufacturer:
Hilti Corporation
Feldkircherstraße 100
9494 Schaan | Liechtenstein

UK Importer:
Hilti (Gt. Britain) Limited
No. 1 Circle Square, 3 Symphony Park
Manchester, England, M1 7FS

NCV 10-22 (01)

Serial Numbers: 1-9999999999

2014/30/EU | Electromagnetic Compatibility
Regulations 2016

EN 62368-1:2020,
A11:2020

EN IEC 55014-1:2021

2014/35/EU | Electrical Equipment (Safety)
Regulations 2016

EN IEC 55014-2:2021

Dr. Tahar Zrilli
Head of Quality and Process Management
Business Area Electric Tools & Accessories

Schaan, 23.05.2023

Edward Przybyłowicz
Head of BU Measuring Systems
Business Unit Measuring Systems



 NURON

B 22-55 (01)	0,56 kg	1.23 lb
B 22-85 (01)	0,77 kg	1.70 lb
B 22-110 (01)	0,92 kg	2.03 lb
B 22-170 (01)	1,34 kg	2.95 lb
B 22-255 (01)	1,87 kg	4.12 lb

C 4-22
C 6-22
C 8-22



Hilti Corporation
LI-9494 Schaan
Tel.:+423 234 21 11
Fax:+423 234 29 65
www.hilti.group



2370142