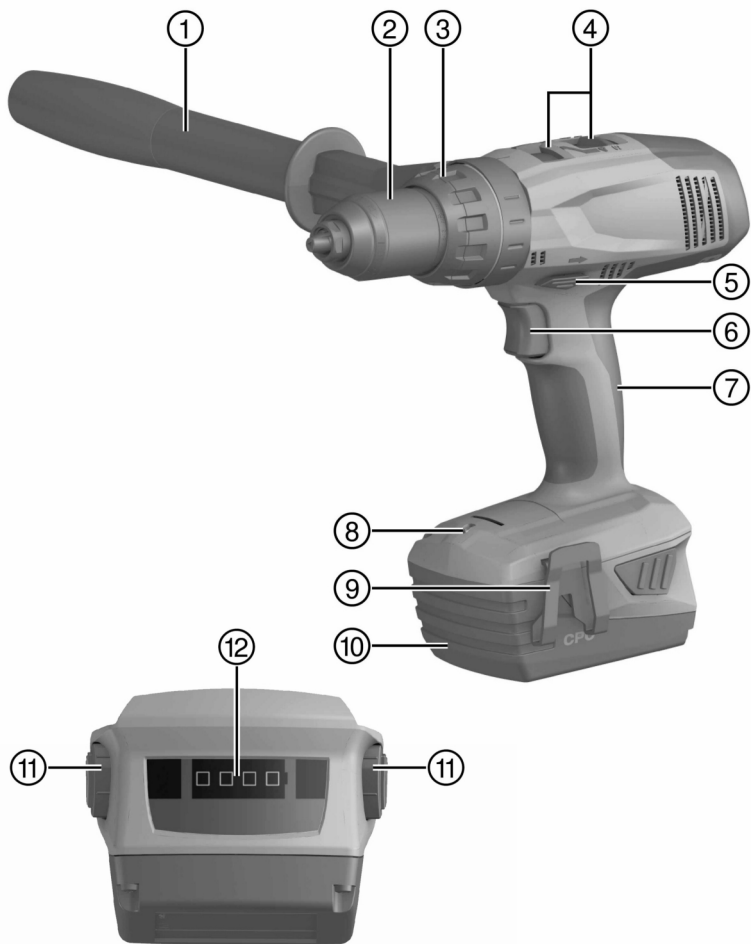




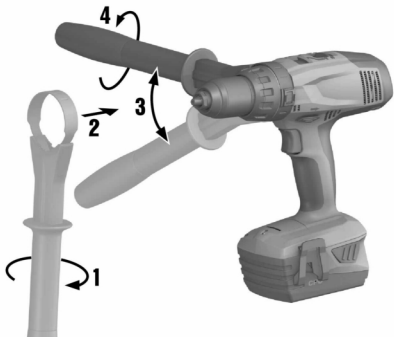
SF 10W-A22

English
עברית

1
13



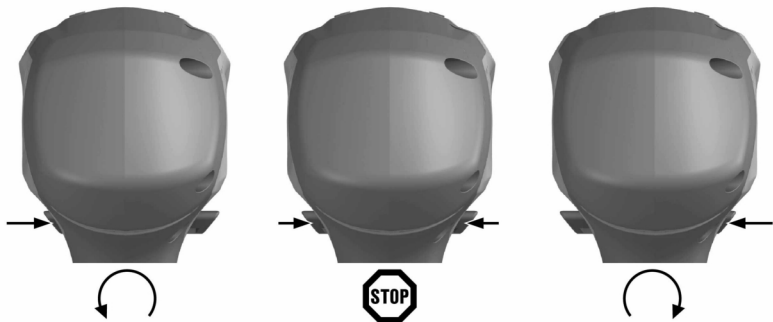
2



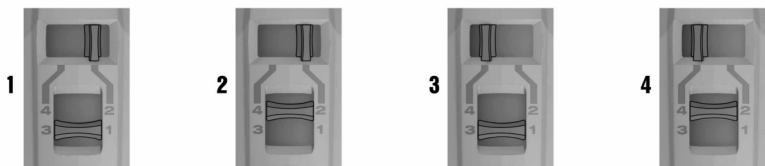
3



4



5



SF 10W-A22

en	Original operating instructions	1
he	הוראות הפעלה מקוריות	13

Original operating instructions

1 Information about the operating instructions

1.1 About these operating instructions

- **Warning!** Read and understand all accompanying documentation, including but not limited to instructions, safety warnings, illustrations, and specifications provided with this product. Familiarize yourself with all the instructions, safety warnings, illustrations, specifications, components, and functions of the product before use. Failure to do so may result in electric shock, fire, and/or serious injury. Save all warnings and instructions for future reference.
- products are designed for professional users and only trained, authorized personnel are permitted to operate, service and maintain the products. This personnel must be specifically informed about the possible hazards. The product and its ancillary equipment can present hazards if used incorrectly by untrained personnel or if used not in accordance with the intended use.
- The accompanying documentation corresponds to the current state of the art at the time of printing. Please always check for the latest version on the product's page on Hilti's website. To do this, follow the link or scan the QR code in this documentation, marked with the symbol .
- Ensure that these operating instructions are with the product when it is given to other persons.

1.2 Explanation of symbols used

1.2.1 Warnings

Warnings alert persons to hazards that occur when handling or using the product. The following signal words are used:

DANGER

DANGER !

- ▶ Draws attention to imminent danger that will lead to serious personal injury or fatality.

WARNING

WARNING !

- ▶ Draws attention to a potential threat of danger that can lead to serious injury or fatality.

CAUTION

CAUTION !

- ▶ Draws attention to a potentially dangerous situation that could lead to personal injury or damage to the equipment or other property.

1.2.2 Symbols in the documentation

The following symbols are used in this document:

	Read the operating instructions before use.
	Instructions for use and other useful information
	Dealing with recyclable materials
	Do not dispose of electric equipment and batteries as household waste

1.2.3 Symbols in the illustrations

The following symbols are used in illustrations:

	These numbers refer to the corresponding illustrations found at the beginning of these operating instructions
	The numbering reflects the sequence of operations shown in the illustrations and may deviate from the steps described in the text



	Item reference numbers are used in the overview illustrations and refer to the numbers used in the product overview section
	This symbol is intended to draw special attention to certain points when handling the product.

1.3 Product-dependent symbols

1.3.1 Symbols on the product

The following symbols are used on the product:

n_0	Rated speed under no load
/min	Revolutions per minute
	Active Torque Control (ATC)
	Direct current (DC)
Li-Ion	Li-ion battery
	The power tool supports near-field communication (NFC) technology, which is compatible with iOS and Android platforms.
	Never use the battery as a striking tool.
	Do not drop the battery. Never use a battery that has suffered an impact or is damaged in any other way.

1.4 Product information

Hilti products are designed for professional use and may be operated, serviced and maintained only by trained, authorized personnel. This personnel must be specifically informed about the possible hazards. The product and its ancillary equipment can present hazards if used incorrectly by untrained personnel or if used not in accordance with the intended use.

The type designation and serial number are printed on the rating plate.

- Write down the serial number in the table below. You will be required to state the product details when contacting Hilti Service or your local Hilti organization to inquire about the product.

Product information

Drill/driver	SF 10W-A22
Generation	02
Serial no.	

1.5 Declaration of conformity

We declare, on our sole responsibility, that the product described here complies with the applicable directives and standards. A copy of the declaration of conformity can be found at the end of this documentation.

The technical documentation is filed here:

Hilti Entwicklungsgesellschaft mbH | Tool Certification | Hiltistrasse 6 | 86916 Kaufering, Germany

2 Safety

2.1 General power tool safety warnings

⚠ WARNING Read all safety warnings, instructions, illustrations and specifications provided with this power tool. Failure to follow all instructions listed below may result in electric shock, fire and/or serious injury. **Save all warnings and instructions for future reference.**

The term "power tool" in the warnings refers to your mains-operated (corded) power tool or battery-operated (cordless) power tool.



Work area safety

- ▶ **Keep work area clean and well lit.** Cluttered or dark areas invite accidents.
- ▶ **Do not operate power tools in explosive atmospheres, such as in the presence of flammable liquids, gases or dust.** Power tools create sparks which may ignite the dust or fumes.
- ▶ **Keep children and bystanders away while operating a power tool.** Distractions can cause you to lose control.

Electrical safety

- ▶ **Power tool plugs must match the outlet. Never modify the plug in any way. Do not use any adapter plugs with earthed (grounded) power tools.** Unmodified plugs and matching outlets will reduce risk of electric shock.
- ▶ **Avoid body contact with earthed or grounded surfaces, such as pipes, radiators, ranges and refrigerators.** There is an increased risk of electric shock if your body is earthed or grounded.
- ▶ **Do not expose power tools to rain or wet conditions.** Water entering a power tool will increase the risk of electric shock.
- ▶ **Do not abuse the cord. Never use the cord for carrying, pulling or unplugging the power tool. Keep cord away from heat, oil, sharp edges or moving parts.** Damaged or entangled cords increase the risk of electric shock.
- ▶ **When operating a power tool outdoors, use an extension cord suitable for outdoor use.** Use of a cord suitable for outdoor use reduces the risk of electric shock.
- ▶ **If operating a power tool in a damp location is unavoidable, use a residual current device (RCD) protected supply.** Use of an RCD reduces the risk of electric shock.

Personal safety

- ▶ **Stay alert, watch what you are doing and use common sense when operating a power tool. Do not use a power tool while you are tired or under the influence of drugs, alcohol or medication.** A moment of inattention while operating power tools may result in serious personal injury.
- ▶ **Use personal protective equipment. Always wear eye protection.** Protective equipment such as a dust mask, non-skid safety shoes, hard hat or hearing protection used for appropriate conditions will reduce personal injuries.
- ▶ **Prevent unintentional starting. Ensure the switch is in the off-position before connecting to power source and/or battery pack, picking up or carrying the tool.** Carrying power tools with your finger on the switch or energising power tools that have the switch on invites accidents.
- ▶ **Remove any adjusting key or wrench before turning the power tool on.** A wrench or a key left attached to a rotating part of the power tool may result in personal injury.
- ▶ **Do not overreach. Keep proper footing and balance at all times.** This enables better control of the power tool in unexpected situations.
- ▶ **Dress properly. Do not wear loose clothing or jewellery. Keep your hair and clothing away from moving parts.** Loose clothes, jewellery or long hair can be caught in moving parts.
- ▶ **If devices are provided for the connection of dust extraction and collection facilities, ensure these are connected and properly used.** Use of dust collection can reduce dust-related hazards.
- ▶ **Do not let familiarity gained from frequent use of tools allow you to become complacent and ignore tool safety principles.** A careless action can cause severe injury within a fraction of a second.

Power tool use and care

- ▶ **Do not force the power tool. Use the correct power tool for your application.** The correct power tool will do the job better and safer at the rate for which it was designed.
- ▶ **Do not use the power tool if the switch does not turn it on and off.** Any power tool that cannot be controlled with the switch is dangerous and must be repaired.
- ▶ **Disconnect the plug from the power source and/or remove the battery pack, if detachable, from the power tool before making any adjustments, changing accessories, or storing power tools.** Such preventive safety measures reduce the risk of starting the power tool accidentally.
- ▶ **Store idle power tools out of the reach of children and do not allow persons unfamiliar with the power tool or these instructions to operate the power tool.** Power tools are dangerous in the hands of untrained users.
- ▶ **Maintain power tools and accessories. Check for misalignment or binding of moving parts, breakage of parts and any other condition that may affect the power tool's operation. If damaged, have the power tool repaired before use.** Many accidents are caused by poorly maintained power tools.
- ▶ **Keep cutting tools sharp and clean.** Properly maintained cutting tools with sharp cutting edges are less likely to bind and are easier to control.



- ▶ **Use the power tool, accessories and tool bits etc. in accordance with these instructions, taking into account the working conditions and the work to be performed.** Use of the power tool for operations different from those intended could result in a hazardous situation.
- ▶ **Keep handles and grasping surfaces dry, clean and free from oil and grease.** Slippery handles and grasping surfaces do not allow for safe handling and control of the tool in unexpected situations.

Battery tool use and care

- ▶ **Recharge only with the charger specified by the manufacturer.** A charger that is suitable for one type of battery pack may create a risk of fire when used with another battery pack.
- ▶ **Use power tools only with specifically designated battery packs.** Use of any other battery packs may create a risk of injury and fire.
- ▶ **When battery pack is not in use, keep it away from other metal objects, like paper clips, coins, keys, nails, screws or other small metal objects, that can make a connection from one terminal to another.** Shorting the battery terminals together may cause burns or a fire.
- ▶ **Under abusive conditions, liquid may be ejected from the battery; avoid contact. If contact accidentally occurs, flush with water. If liquid contacts eyes, additionally seek medical help.** Liquid ejected from the battery may cause irritation or burns.
- ▶ **Do not use a battery pack or tool that is damaged or modified.** Damaged or modified batteries may exhibit unpredictable behaviour resulting in fire, explosion or risk of injury.
- ▶ **Do not expose a battery pack or tool to fire or excessive temperature.** Exposure to fire or temperature above 130° C (265 °F) may cause explosion.
- ▶ **Follow all charging instructions and do not charge the battery pack or tool outside the temperature range specified in the instructions.** Charging improperly or at temperatures outside the specified range may damage the battery and increase the risk of fire.

Service

- ▶ **Have your power tool serviced by a qualified repair person using only identical replacement parts.** This will ensure that the safety of the power tool is maintained.
- ▶ **Never service damaged battery packs.** Service of battery packs should only be performed by the manufacturer or authorized service providers.

2.2 Drill safety warnings

Safety instructions for all operations

- ▶ **Use the auxiliary handle(s).** Loss of control can cause personal injury.
- ▶ **Hold the power tool by insulated gripping surfaces, when performing an operation where the cutting accessory or fasteners may contact hidden wiring.** Cutting accessory or fasteners contacting a "live" wire may make exposed metal parts of the power tool "live" and could give the operator an electric shock.

Safety instructions when using long drill bits

- ▶ **Never operate at higher speed than the maximum speed rating of the drill bit.** At higher speeds, the bit is likely to bend if allowed to rotate freely without contacting the workpiece, resulting in personal injury.
- ▶ **Always start drilling at low speed and with the bit tip in contact with the workpiece.** At higher speeds, the bit is likely to bend if allowed to rotate freely without contacting the workpiece, resulting in personal injury.
- ▶ **Apply pressure only in direct line with the bit and do not apply excessive pressure.** Bits can bend causing breakage or loss of control, resulting in personal injury.

2.3 Additional safety precautions for screwdrivers

- ▶ Use the product and accessories only when they are in perfect working order.
- ▶ Never tamper with or modify the product or accessories in any way.
- ▶ Before beginning work, check the working area for concealed electric cables or gas and water pipes. External metal parts of the product could give you an electric shock or cause an explosion if you accidentally damage an electric cable or a gas or water pipe.



- ▶ Dust produced by grinding, sanding, cutting and drilling can contain dangerous chemicals. Some examples are: lead or lead-based paints; brick, concrete and other masonry products, natural stone and other products containing silicates; certain types of wood, such as oak, beech and chemically treated wood; asbestos or materials that contain asbestos. Determine the exposure of the operator and bystanders by means of the hazard classification of the materials to be worked. Implement the necessary measures to restrict exposure to a safe level, for example by the use of a dust collection system or by the wearing of suitable respiratory protection. The general measures for reducing exposure include:
 - ▶ working in an area that is well ventilated,
 - ▶ avoidance of prolonged contact with dust,
 - ▶ directing dust away from the face and body,
 - ▶ wearing protective clothing and washing exposed areas of the skin with water and soap.
- ▶ Risk of injury by falling tools and/or accessories. Before starting work, check that the battery and installed accessories are secure.
- ▶ Do not use blunted bits.
- ▶ Use large, heavy accessory tools only with the power tool set to first gear. There is otherwise a risk of causing damage to the power tool when switching it off or, under unfavorable circumstances, the chuck may work loose.
- ▶ Use auxiliary handles supplied with the product. Loss of control can cause personal injury. Make sure that the auxiliary handle is firmly seated and securely installed.
- ▶ Switch the product on only after you have brought it to the working position.
- ▶ Secure the workpiece. Use clamps or a vice to hold the workpiece in position. The workpiece is thus held more securely than by hand and both hands remain free to operate the power tool.
- ▶ Always hold the product with both hands on the grips provided. Keep the grips clean and dry.
- ▶ Keep the air vents clear at all times. Risk of burn injuries due to blocked air vents!
- ▶ Do not touch rotating parts – risk of injury!
- ▶ Wear eye protection, a hard hat and ear protection and suitable respiratory protection while the product is in use.
- ▶ Wear eye protection. Flying fragments can injure the body and eyes.
- ▶ Do not look directly into the light source (LED) of the product and do not aim the beam at other persons' faces. Risk of dazzling or eye damage.
- ▶ Take frequent breaks and do physical exercises to improve the blood circulation in your fingers. High vibration during long periods of work can lead to disorders of the blood vessels and nervous system in the fingers, hands and wrists.
- ▶ Wait until the product has come to a complete stop before you lay it down.
- ▶ Wear protective gloves when changing the accessory tool. Touching the accessory tool can result in cuts and burns.

2.4 Careful handling and use of batteries

- ▶ **Comply with the following safety instructions for the safe handling and use of Li-ion batteries.** Failure to comply can lead to skin irritation, severe corrosive injury, chemical burns, fire and/or explosion.
- ▶ Use only batteries that are in perfect working order.
- ▶ Treat batteries with care in order to avoid damage and prevent leakage of fluids that are extremely harmful to health!
- ▶ Do not under any circumstances modify or tamper with batteries!
- ▶ Do not disassemble, crush or incinerate batteries and do not subject them to temperatures over 80 °C (176 °F).
- ▶ Never use or charge a battery that has suffered an impact or been damaged in any other way. Check your batteries regularly for signs of damage.
- ▶ Never use recycled or repaired batteries.
- ▶ Never use the battery or a battery-operated power tool as a striking tool.
- ▶ Never expose batteries to the direct rays of the sun, elevated temperature, sparking, or open flame. This can lead to explosions.
- ▶ Do not touch the battery poles with your fingers, tools, jewelry, or other electrically conductive objects. This can damage the battery and also cause material damage and personal injury.
- ▶ Keep batteries away from rain, moisture and liquids. Penetrating moisture can cause short circuits, electric shock, burns, fire and explosions.
- ▶ Use only chargers and power tools approved for the specific battery type. Read and follow the relevant operating instructions.
- ▶ Do not use or store the battery in explosive environments.



- If the battery is too hot to touch, it may be defective. Put the battery in a place where it is clearly visible and where there is no risk of fire, at an adequate distance from flammable materials. Allow the battery to cool down. If it is still too hot to touch after an hour, the battery is faulty. Consult **Hilti Service** or read the document entitled "Instructions on safety and use for **Hilti Li-ion batteries**".

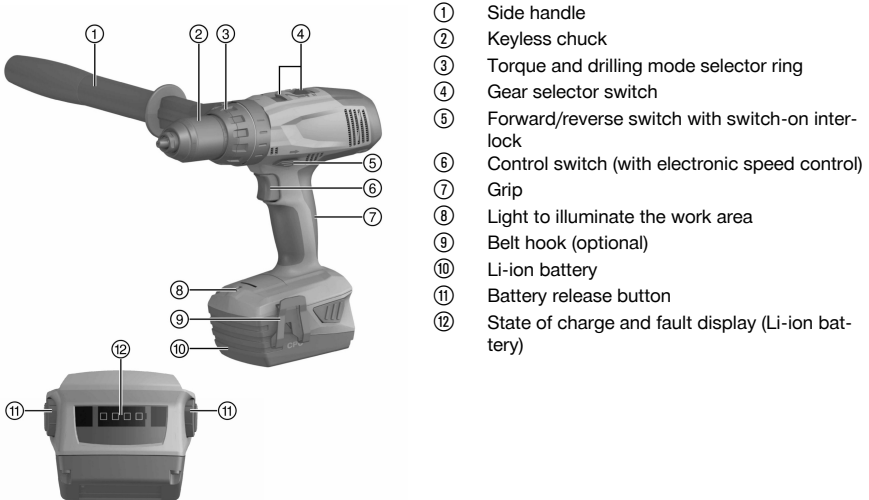


Observe the special guidelines applicable to the transport, storage and use of lithium-ion batteries.
→ page 11

Read the instructions on safety and use of **Hilti Li-ion batteries** that you can access by scanning the QR code at the end of these operating instructions.

3 Description

3.1 Overview of the product



- ① Side handle
- ② Keyless chuck
- ③ Torque and drilling mode selector ring
- ④ Gear selector switch
- ⑤ Forward/reverse switch with switch-on interlock
- ⑥ Control switch (with electronic speed control)
- ⑦ Grip
- ⑧ Light to illuminate the work area
- ⑨ Belt hook (optional)
- ⑩ Li-ion battery
- ⑪ Battery release button
- ⑫ State of charge and fault display (Li-ion battery)

3.2 Intended use

The product described is a hand-held cordless drill/driver. It is designed for driving and removing screws and for drilling in steel, wood and plastic.

- Use only **Hilti** lithium-ion batteries of the B 22 series with this product.
- Use only **Hilti**-approved battery chargers to charge these batteries. More information is available from your **Hilti Store** or from www.hilti.group

3.3 ATC

The product is equipped with the ATC (Active Torque Control) quick-acting electronic cut-out. If the accessory tool sticks or stalls, the product will suddenly pivot about its own axis in the opposite direction. ATC detects this sudden pivoting movement of the product and switches the product off immediately.



For ATC to function correctly, the product must be free to pivot.
After an ATC cut-out, switch the product off and then on again.

3.4 Li-ion battery display

The charge status of the Li-ion battery and malfunctions of the power tool are indicated by the display on the Li-ion battery. The charge status of the Li-ion battery is displayed after pressing one of the two battery release buttons.



Status	Meaning
4 LEDs light.	Charge status: 75 % to 100 %
3 LEDs light.	Charge status: 50 % to 75 %
2 LEDs light.	Charge status: 25 % to 50 %
1 LED lights.	Charge status: 10 % to 25 %
1 LED blinks, the power tool is ready for use.	Charge status: < 10 %
1 LED blinks, the power tool is not ready for use.	The battery has overheated or is completely discharged.
4 LEDs blink, the power tool is not ready for use.	The power tool is overloaded or has overheated.



Battery charge status cannot be displayed while the control switch is pressed and for up to 5 seconds after releasing the control switch.

If the battery display LEDs blink, please observe the instructions given in the Troubleshooting section.

3.5 Items supplied

Drill / driver, side handle, operating instructions

Other system products approved for use with this product can be found at your local **Hilti Store** or at: www.hilti.group

4 Technical data

4.1 Drill/driver

Rated voltage	21.6 V	
Weight in accordance with EPTA Procedure 01 including B228.0 battery	3.3 kg	
Speed	1st gear	0 /min ... 310 /min
	2nd gear	0 /min ... 530 /min
	3rd gear	0 /min ... 1,210 /min
	4th gear	0 /min ... 2,100 /min
Torque range (15 settings)	2 Nm ... 12 Nm	
Ø drill bit (softwood)	1.5 mm ... 50 mm	
Ø drill bit (hardwood)	1.5 mm ... 20 mm	
Ø drill bit (metal)	1.5 mm ... 13 mm	

4.2 Battery

Battery operating voltage	21.6 V
Ambient temperature	-10 °C ... 60 °C
Storage temperature	-20 °C ... 40 °C
Battery charging starting temperature	-10 °C ... 45 °C

4.3 Noise information and vibration values in accordance with EN 62841

The sound pressure and vibration values given in these instructions were measured in accordance with a standardized test and can be used to compare one power tool with another. They can also be used for a preliminary assessment of exposure.

The data given represent the main applications of the power tool. However, if the power tool is used for different applications, with different accessory tools, or is poorly maintained, the data can vary. This can significantly increase exposure over the total working period.

An accurate estimation of exposure should also take into account the times when the tool is switched off, or when it is running but not actually being used for a job. This can significantly reduce exposure over the total working period.



Identify additional safety measures to protect the operator from the effects of noise and/or vibration, for example: maintaining the power tool and accessory tools, keeping the hands warm, organization of work patterns.

Noise emission values

	SF 10W-A22
Emission sound pressure level (L_{pA})	75 dB(A)
Uncertainty for the sound pressure level (K_{pA})	3 dB(A)
Sound (power) level (L_{WA})	86 dB(A)
Uncertainty for the sound power level (K_{WA})	3 dB(A)

Total vibration

	SF 10W-A22
Vibration emission value for screwdriving (a_v)	< 2.5 m/s ²
Uncertainty for screwdriving (K)	1.5 m/s ²
Drilling in metal ($a_{n,D}$)	< 2.5 m/s ²
Uncertainty for drilling in metal (K)	1.5 m/s ²

5 Preparations at the workplace

WARNING

Risk of injury by inadvertent starting!

- ▶ Before inserting the battery, make sure that the product is switched off.
- ▶ Remove the battery before making any adjustments to the power tool or before changing accessories.

Observe the safety instructions and warnings in this documentation and on the product.

5.1 Inserting the battery

WARNING

Risk of injury by short circuit or falling battery!

- ▶ Before inserting the battery, make sure that the contacts on the battery and the contacts on the product are free of foreign matter.
- ▶ Make sure that the battery always engages correctly.

1. Charge the battery fully before using it for the first time.
2. Push the battery into the product until it engages with an audible click.
3. Check that the battery is seated securely.

5.2 Removing the battery

1. Press the battery release buttons.
2. Remove the battery from the tool.

5.3 Charging the battery

1. Before charging the battery, read the operating instructions for the charger.
2. Make sure that the contacts on the battery and the contacts on the charger are clean and dry.
3. Use an approved charger to charge the battery. → page 6

5.4 Fitting the side handle

CAUTION

Risk of injury by accidental starting!

- ▶ Make sure that the forward / reverse switch is in the middle position (switch-on interlock engaged) or that the battery has been removed from the drill / driver.

- ▶ Fit the side handle.



5.5 Adjusting the side handle

- ▶ Adjust the side handle to the desired position.

5.6 Fitting the accessory tool

1. Set the forward/reverse switch to the middle position or remove the battery from the power tool.
2. Check that the connection end of the accessory tool is clean. Clean the connection end if necessary.
3. Open the keyless chuck.
4. Insert the accessory tool in the keyless chuck and then turn the chuck firmly by hand until tight and several clicks are heard.
5. Check that the accessory tool is held securely.

5.7 Removing the accessory tool

1. Set the forward/reverse switch to the middle position or remove the battery from the power tool.
2. Open the keyless chuck.
3. Pull the accessory tool out of the keyless chuck.

5.8 Fall arrest



WARNING

Risk of injury by falling tool and/or accessory!

- ▶ Use only the **Hilti** tool tether recommended for your product.
- ▶ Prior to each use, always check the attachment point of the tool tether for possible damage.
- ▶ Do not secure a tool tether to the belt hook. Do not use a belt hook to lift the product.



Comply with the national regulations for working at heights.

As drop arrester for this product, use only a combination of the **Hilti** retaining strap #2293133 and the **Hilti** tool tether #2261970.

- ▶ Secure the retaining strap to the installation openings for accessories. Check that it holds securely.
- ▶ Secure one carabiner of the tool tether to the retaining strap and secure the second carabiner to a load-bearing structure. Check that both carabiners hold securely.



Comply with the operating instructions of the **Hilti** retaining strap and those of the **Hilti** tool tether.

6 Types of work



CAUTION

Risk of damage by incorrect handling!

- ▶ Do not operate the switches for direction of rotation and/or function selection during operation.

Observe the safety instructions and warnings in this documentation and on the product.

6.1 Setting forward or reverse rotation



An interlock prevents switching while the motor is running.

The control switch is locked when the forward/reverse switch is in the middle position (switch-on interlock).

- ▶ Set the forward/reverse switch to the desired direction of rotation.

6.2 Selecting the gear

- ▶ Select the desired gear by adjusting the two gear selector switches.




6.3 Switching on

- ▶ Press the control switch.



The running speed can be controlled smoothly right up to maximum speed by varying how far the control switch is pressed in.

6.4 Drilling

1. Set the torque and operating mode selector ring to the  symbol.
2. Set the forward/reverse switch to the “forward” position.

6.5 Screwdriving

1. Set the torque and operating mode selector ring to the required torque.
2. Set the forward/reverse switch to the desired direction of rotation.

6.6 Switching off

- ▶ Release the control switch.

7 Care and maintenance



WARNING

Risk of injury with battery inserted !

- ▶ Always remove the battery before carrying out care and maintenance tasks!

Care of the product

- Carefully remove stubborn dirt.
- Carefully clean the air vents, if present, with a dry, soft brush.
- Use only a slightly damp cloth to clean the housing. Do not use cleaning agents containing silicone as these can attack the plastic parts.
- Use a dry, clean cloth to clean the contacts of the product.

Care of the Li-ion batteries

- Never use a battery with clogged air vents. Clean the air vents carefully using a dry, soft brush.
- Avoid unnecessary exposure of the battery to dust and dirt. Never expose the battery to high levels of moisture (e.g. by being dipped in water or left in the rain).
If a battery has been soaked by moisture, treat it as a damaged battery. Isolate it in a non-flammable container and consult **Hilti Service**.
- Keep the battery free of extraneous oil and grease. Do not permit dust or dirt to accumulate unnecessarily on the battery. Clean the battery with a dry, soft brush or a clean, dry cloth. Do not use cleaning agents containing silicone as these can attack the plastic parts.
Do not touch the contacts of the battery and do not remove the factory-applied grease from the contacts.
- Use only a slightly damp cloth to clean the housing. Do not use cleaning agents containing silicone as these can attack the plastic parts.

Maintenance

- Check all visible parts and controls for signs of damage at regular intervals and make sure that they all function correctly.
- Do not use the product if signs of damage are found or if parts malfunction. Immediately have the product repaired by **Hilti Service**.
- After cleaning and maintenance, install all guards and protective devices and check that they are in full working order.



To help ensure safe and reliable operation, use only genuine Hilti spare parts and consumables. Spare parts, consumables and accessories approved by **Hilti** for use with your product can be found at your **Hilti Store** or online at: www.hilti.group



8 Transport and storage of cordless tools and batteries

Transport

CAUTION

Accidental starting during transport !

- ▶ Always transport your products with the batteries removed!
- ▶ Remove the battery/batteries.
- ▶ Never transport batteries loose and unprotected. During transport, batteries should be protected from excessive shock and vibration and isolated from any conductive materials or other batteries that may come in contact with the terminals and cause a short circuit. **Comply with the locally applicable regulations for transporting batteries.**
- ▶ Do not send batteries through the mail. Consult your shipper for instructions on how to ship undamaged batteries.
- ▶ Prior to each use and before and after prolonged transport, check the product and the batteries for damage.

Storage

WARNING

Accidental damage caused by defective or leaking batteries !

- ▶ Always store your products with the batteries removed!
- ▶ Store the product and the batteries in a cool and dry place. Comply with the temperature limits stated in the technical data.
- ▶ Do not store batteries on the charger. Always remove the battery from the charger when the charging operation has completed.
- ▶ Never leave batteries in direct sunlight, on sources of heat, or behind glass.
- ▶ Store the product and batteries where they cannot be accessed by children or unauthorized persons.
- ▶ Prior to each use and before and after prolonged storage, check the product and the batteries for damage.

9 Troubleshooting

If the trouble you are experiencing is not listed in this table or you are unable to remedy the problem by yourself, please contact **Hilti Service**.

Trouble or fault	Possible cause	Action to be taken
Product does not work.	The battery is not fully inserted.	▶ Push the battery in until it engages with an audible double click.
	Battery is discharged.	▶ Change the battery and charge the empty battery.
Product does not work and all four LEDs flash.	Product momentarily overloaded.	▶ Release the control switch and then press it again.
	The overheating cut-out has been activated.	▶ Allow the product to cool down. Clean the air vents.
Product does not work and one LED flashes.	Battery is discharged.	▶ Change the battery and charge the empty battery.
	The battery is too hot or too cold.	▶ Bring the battery to the recommended operating temperature.
The on/off button cannot be pressed, i.e. the button is locked.	The forward/reverse selector switch is in the middle position.	▶ Push the forward/reverse switch to the left or right.
The battery runs down more quickly than usual.	Very low ambient temperature.	▶ Allow the battery to warm up slowly to room temperature.
The battery doesn't engage with an audible double click.	The retaining lugs on the battery are dirty.	▶ Clean the retaining lugs and push the battery in until it engages. Contact Hilti Service if the problem persists.



Trouble or fault	Possible cause	Action to be taken
The product or battery gets very hot.	The product is overloaded (application limits exceeded).	<ul style="list-style-type: none"> ▶ Pay attention to the power and performance rating of the product before using it, i.e. check its suitability for the job on hand. See “Technical data” section.

10 Disposal

WARNING

Risk of injury due to incorrect disposal! Health hazards due to escaping gases or liquids.

- ▶ DO NOT send batteries through the mail!
 - ▶ Cover the terminals with a non-conductive material (such as electrical tape) to prevent short circuiting.
 - ▶ Dispose of your battery out of the reach of children.
 - ▶ Dispose of the battery at your **Hilti Store**, or consult your local governmental garbage disposal or public health and safety resources for disposal instructions.
-

Most of the materials from which **Hilti** products are manufactured can be recycled. The materials must be correctly separated before they can be recycled. In many countries, your old tools, machines or appliances can be returned to **Hilti** for recycling. Ask **Hilti Service** or your Hilti sales representative for further information.



- ▶ Do not dispose of power tools, electronic equipment or batteries as household waste!
-

11 Manufacturer's warranty

- ▶ Please contact your local **Hilti** representative if you have questions about the warranty conditions.

12 Further information

For more information on operation, technology, environment and recycling, follow this link: qr.hilti.com/manual/?id=2130485&id=2130487

This link is also to be found at the end of the operating instructions, in the form of a QR code.



1 מידע על הוראות ההפעלה

1.1 על הוראות הפעלה אלו

- **אזהרה!** לפני השימוש במוצר יש לקרוא ולהבין את הוראות ההפעלה המצורפות למוצר, כולל ההערות, הוראות הבטיחות והאזהרות, האיורים והמפרטים. יש ללמוד במיוחד את כל הוראות הבטיחות, האזהרות, המפרטים והפונקציות השונות של המוצר. התעלמות מהנחיה זו מובילה לסכנת התחשמלות, שריפה ופציעות קשות. שמור את הוראות ההפעלה, כולל כל הוראות הבטיחות והאזהרות לצורך שימוש בעתיד.
- המוצרים של **HILTI** מיועדים למשתמש המקצועי, ורק אנשים מורשים, שעברו הכשרה מתאימה, רשאים לתפעל, לתחזק ולתקן אותם. אנשים אלה חייבים ללמוד באופן מיוחד את הסכנות האפשריות. המוצר המתואר והעדרים שלו עלולים להיות מסוכנים כאשר אנשים שלא עברו הכשרה מתאימה משתמשים בהם באופן לא מקצועי או כאשר משתמשים בהם שלא בהתאם ליעוד.
- הוראות ההפעלה המצורפות נכתבו בהתאם לידיעות הטכנולוגיות במועד השליחה לדפוס. את הגרסה העדכנית ביותר אפשר למצוא תמיד בדף המוצר של Hilti. כדי להגיע לשם, יש לסרוק את קוד ה-QR בהוראות ההפעלה האלה, מסומן בסמל .
- אם אתה מעביר את המוצר לאדם אחר, מסור לו גם את הוראות ההפעלה האלה.

1.2 הסבר הסימנים

1.2.1 אזהרות

האזהרות מזהירות מפני סכנות בשימוש במוצר. במדרג זה מופיעות מילות המפתח הבאות:



סכנה

סכנה!

← מציינת סכנה מיידית, המובילה לפציעות גוף קשות או למוות.



אזהרה

אזהרה!

← מציינת סכנה אפשרית, שיכולה להוביל לפציעות גוף קשות או למוות.



זהירות

זהירות!

← מציינת מצב שעלול להיות מסוכן ולהוביל לפציעות גוף או לנזקים לרכוש.

1.2.2 סמלים במסמך זה

הסמלים הבאים מופיעים בתיעוד זה:

קרא את הוראות ההפעלה לפני השימוש	
הנחיות לשימוש ומידע שימושי נוסף	
טיפול נכון בחומרים למיחזור	
אין להשליך לפסולת הביתית מכשירים חשמליים וסוללות	

1.2.3 סמלים באיורים

הסמלים הבאים משמשים באיורים:

מספרים אלה מפנים לאיור המתאים בתחילת חוברת ההוראות	2
המספרים באיורים משקפים את רצף הפעולות, והם עשויים להיות שונים מרצף הפעולות המצוינות בטקסט	3
מספרי הפריטים מופיעים באיור סקירה ותואמים את המספרים במקרא בפרק סקירת המוצר	11
סימן זה אמור לעורר את תשומת לבך המיוחדת בעת השימוש במוצר.	



1.3 סמלים ספציפיים למוצר

1.3.1 סמלים על המוצר

הסמלים הבאים מופיעים על המוצר:

n_0	מהירות סרק נקובה
/min	סיבובים לדקה
ATC	(ATC) (Active Torque Control)
==	זרם ישר
Li-Ion	סוללת ליתיום-יון
	המכשיר תומך בטכנולוגיית NFC, התואמת את פלטפורמות iOS ו-Android.
	לעולם אין להשתמש בסוללה כפטיש.
	אין להפיל את הסוללה. אין להשתמש בסוללה שנחבטה או שניזוקה באופן אחר.

1.4 פרטי המוצר

המוצרים של Hilti מיועדים למשתמש המקצועי, ורק אנשים מורשים, שעברו הכשרה מתאימה, רשאים לתפעל, לתחזק ולתקן אותם. אנשים אלה חייבים ללמוד באופן מיוחד את הסכנות האפשריות. המוצר המתואר והעזרים שלו עלולים להיות מסוכנים כאשר אנשים שלא עברו הכשרה מתאימה משתמשים בהם באופן לא מקצועי או כאשר נעשה בהם שימוש שלא בהתאם ללייעוד. שם הדגם והמספר הסידורי מצוינים על לוחית הדגם.

רשום את המספר הסידורי בטבלה הבאה. בכל פנייה לנציגינו או למעבדת שירות יש לציין את נתוני המוצר.

נתוני המוצר

SF 10W-A22	מברגה
02	דור
	מס' סידורי

1.5 הצהרת תאימות

אנו מצהירים באחריותנו הבלעדית כי המוצר המתואר כאן תואם את התקנות והתקנים התקפים. בסוף תיעוד זה ישנו צילום של הצהרת התאימות.

התיעוד הטכני שמור כאן:

Hilti Entwicklungsgesellschaft mbH | Zulassung Geräte | Hiltistraße 6 | 86916 Kaufering, DE

2 בטיחות

2.1 הוראות בטיחות כלליות לכלי עבודה חשמליים

⚠ אזהרה קרא את כל הוראות הבטיחות, ההנחיות, האירוס והנתונים הטכניים המצורפים לכלי העבודה החשמלי. אי ציות להנחיות עלול להוביל להתחשמלות, לשרפה ו/או לפציעות קשות.

שמור את כל הוראות הבטיחות וההנחיות ליעין בעתיד.

המונח "כלי עבודה חשמלי" המשמש בהוראות הבטיחות מתייחס לכלי עבודה חשמליים המחוברים לרשת החשמל (עם כבל חשמל) או לכלי עבודה חשמליים המופעלים באמצעות סוללה נטענת (ללא כבל חשמל).

בטיחות במקום העבודה

שמור על אזור העבודה שלך נקי ודאג לתאורה מספקת. חוסר סדר או תאורה לקויה במקום העבודה עלולים לגרום לתאונות.

אין להפעיל את כלי העבודה החשמלי בסביבה שקיימת בה סכנת פיצוץ או שיטת בה נחלים, גזים או אבק דליקים. כלי עבודה חשמליים יוצרים ניצוצות, שעלולים להצית את האבק או האדים.

הרחק ילדים ואנשים אחרים מכלי העבודה החשמלי במהלך השימוש בו. אם דעתך תוסח אתה עלול לאבד את השליטה במכשיר.



בטיחות בחשמל

- ▶ **אל תחשמל של כלי העבודה החשמלי חייב להתאים לשקע החשמל.** אסור לשבות בשום אופן את תקע החשמל. אל תשתמש בשקע מתאים ביחד עם כלי עבודה חשמליים הכוללים הגנת הארקה. שימוש בתקעים חשמליים שלא עברו שינוי ושקעי חשמל מתאימים מפחית את הטיחות להתחשמלות.
- ▶ **מנע מגע של הגוף בשטחים מוארקים כגון צינורות, גופי חימום, תבורים ומקררים.** קיימת סכנה גבוהה להתחשמלות כאשר הגוף שלך מוארק.
- ▶ **הרחק כלי עבודה חשמליים מגשם או רטיבות.** חדירת מים לכלי העבודה החשמלי מגדילה את הסיכון להתחשמלות.
- ▶ **אל תשתמש בכלי החשמל למטרות שלא לשמן הוא נועד, לדוגמה: אל תרים את כלי העבודה החשמלי באמצעות הכבל ואל תנסה לנתק את התקע משקע החשמל במשיכה מהכבל.** הרחק את הכבל מחום, שמן, פינות חדות או מחלקים נעים. כבלים שניזוקו או שהסתבכו בחלקים אחרים מגדילים את הסיכון להתחשמלות.
- ▶ **כאשר אתה עובד עם כלי העבודה החשמלי בחוץ, השתמש רק בכבל מאריך המיועד לשימוש חיצוני.** שימוש בכבל מאריך המתאים לשימוש חיצוני מפחית את הסיכוי להתחשמלות.
- ▶ **אם לא ניתן להימנע משימוש בכלי העבודה החשמלי בסביבה לחה, השתמש במסר פחת.** השימוש במסר פחת מפחית את הסיכון להתחשמלות.

בטיחות של אנשים

- ▶ **היה ערני, שים לב למה שאתה עושה, ופעל בתבונה כאשר אתה עובד עם כלי עבודה חשמלי.** אל תפעיל כלי עבודה חשמליים כשאתה עייף או תחת השפעת סמים, אלכוהול או תרופות. די ברגע אחד של חוסר תשומת-לב בדמן השימוש בכלי העבודה החשמלי כדי לגרום פציעות קשות.
- ▶ **לבש תמיד ציוד מגן ומשקפי מגן.** לבישת ציוד מגן אישי, כגון מסכת אבק, נעלי בטיחות מונעות החלקה, קסדת מגן או מגני שמיעה - בהתאם לסוג השימוש בכלי העבודה החשמלי - מקטינה את הסיכון לפציעות.
- ▶ **מנע הפעלה בשוגג.** ודא שכלי העבודה החשמלי כבוי לפני שאתה מחבר אותו לאספקת החשמל ו/או לפני שאתה מחבר את הסוללה ולפני הרמתו. אל תניח את אצבעך על המתג בדמן שאתה נושא את המכשיר ואל תחבר אותו לאספקת החשמל כאשר הוא מופעל, אחרת עלולות להיגרם תאונות.
- ▶ **הרחק כלי כוונון או מפתחות ברגים לפני שאתה מפעיל את כלי העבודה החשמלי.** כלי עבודה או מפתחות הנמצאים בקרבת חלקים מסתובבים עלולים לגרום פציעות.
- ▶ **הימנע מתנוחות גוף לא נכונות. עמוד באופן יציב ושמור תמיד על שיווי משקל.** כך תוכל לשלוט טוב יותר בכלי העבודה החשמלי במצבים לא צפויים.
- ▶ **לבש בגדים מתאימים. אל תלבש בגדים רחבים או תכשיטים.** הרחק את השער, הבגדים וכפפות מחלקים נעים. בגדים רופפים, תכשיטים ושיער ארוך עלולים להיתפס בחלקים נעים.
- ▶ **כאשר ניתן להתקיין התקני שאיבת אבק ולכידה יש לוודא שהם מחוברים לחשמל, ויש להקפיד להשתמש בהם בצורה נכונה.** שימוש בהתקין שאיבת אבק מקטין את הסכנות הנובעות מהאבק.
- ▶ **אל תהיה שאנן בנושאי בטיחות ואל תתעלם מהוראות בטיחות של כלי עבודה חשמליים, גם אם שהשתמשת במכשיר פעמים רבות ואתה מכיר אותו היטב.** התנהגות רשלנית עלולה להוביל לפציעות קשות בתוך שניות.

שימוש וטיפול בכלי העבודה החשמלי

- ▶ **אל תפעיל עומס רב מדי על המכשיר.** השתמש בכלי העבודה החשמלי המתאים לעבודה שאתה מבצע. כלי העבודה החשמלי המתאים מבטיח לך עבודה טובה ובטוחה יותר בתחום ההספק הנקוב.
 - ▶ **אל תשתמש בכלי העבודה אם המתג שלו אינו תקין.** כלי עבודה חשמלי שלא ניתן עוד להפעיל או לכבות אותו מהווה סכנה ויש לתקנו.
 - ▶ **נתק את תקע החשמל מהשקע ו/או הסר את הסוללה לפני שאתה מבצע כוונונים במכשיר, מחליף כלים או לאחר שאתה מפסיק לעבוד עם המכשיר.** אמצעי זהירות זה מונע הפעלה בשוגג של כלי העבודה החשמלי.
 - ▶ **שמור כלי עבודה חשמליים שאינם בשימוש הרחק מהישג ידם של ילדים.** אל תאפשר לאנשים שאינם יודעים כיצד להשתמש במכשיר או שלא קראו את ההוראות להשתמש במכשיר. כלי עבודה חשמליים הם מסוכנים כאשר משתמשים בהם אנשים חסרי ניסיון.
 - ▶ **טפל בכלי עבודה חשמליים ובאביזרים בהקפדה.** בדוק אם החלקים הנעים פועלים בצורה חלקה ואינם נתקעים, אם ישנם חלקים שבורים או מקולקלים המשבשים את הפעולה התקינה של כלי העבודה החשמלי. לפני השימוש במכשיר דאג לתיקון חלקים לא תקינים. תאונות רבות נגרמו עקב תחזוקה לקויה של כלי עבודה חשמליים.
 - ▶ **שמור על כלי החיתוך חדים ונקיים.** כלי חיתוך מטופלים היטב, שלהביהם חדים בתקעים פחות וקלים יותר לתפעול.
 - ▶ **השתמש בכלי העבודה החשמלי, באביזרים, בכלי העבודה הנוספים וכן הלאה בהתאם להוראות אלה.** התחשב בתנאי העבודה ובפעולה שעליך לבצע. שימוש בכלי העבודה החשמלי למטרות אחרות מאלה שלשמן הוא מיועד עלול להיות מסוכן.
 - ▶ **שמור על ידיות ואזורי אחיזה נקיים מלכלוך משומן ומגריד.** ידיות ואזורי אחיזה חלקים אינם מאפשרים תפעול בטוח ושלטיה טובה בכלי העבודה החשמלי במצבים לא צפויים.
- שימוש וטיפול בכלי עבודה נטענים**
- ▶ **טען את הסוללות רק בסמטעים שהומלצו על ידי היצרן.** טעינה של סוללה במטען המיועד לטעינה של סוללות מסוג אחר עלולה לגרום לשרפה.
 - ▶ **השתמש לשם כך רק בסוללות המתאימות לכלי העבודה החשמלי.** שימוש בסוללות אחרות עלול לגרום לשרפות.
 - ▶ **שמור סוללות שאינן בשימוש הרחק ממהדקי ביר משרדיים, ממטבעות, מפתחות, מסמרים, ברגים או חפצים מתכתיים קטנים אחרים שיכולים לגשר בין המגעים.** קצר בין מגעי הסוללה עלול לגרום לכוויית או לשרפה.



- ◀ שימוש שגוי עלול לגרום לדליפת נוזלים מהסוללה. אל תיגע בנוזלים אלה. אם נגעת בהם במקרה, שטוף את האזור במים. אם הנוזל נוגע בעיניים, פנה לרופא. נוזל סוללות שדלף עלול לגרום לגירויים בעור ולכוויות.
- ◀ אין להשתמש בסוללה ששונתה או שניזוקה. סוללות שניזוקו או שנערכו בהן שינויים עשויים להגיב בצורה לא צפויה ולגרם לשרפה, לפיצוץ ולפציעות.
- ◀ אין לחשוף סוללות לאש או לטמפרטורות גבוהות. אש או טמפרטורות גבוהות מ-130°C (265°F) עלולות לגרום לפיצוץ.
- ◀ ציית לכל ההנחיות הנוגעות לטעינה, ואף פעם אל תטען את הסוללה או את הכלי עם הסוללה בסביבה שהטמפרטורה בה נמצאת מחוץ לטווח המצוין בהוראות ההפעלה. טעינה שגויה או טעינה בטמפרטורה שנמצאת מחוץ לטווח המצוין בהוראות ההפעלה עלולה להרוס את הסוללה ולהגביר את הסיכון לשרפה.

שירות

- ◀ דאג לתיקון כלי העבודה החשמלי שלך רק בידי טכנאים מוסמכים, המשתמשים בחלקי חילוף מקוריים בלבד. כך תבטיח שמירה על בטיחות העבודה במכשיר.
- ◀ אל תטפל בעצמך בסוללות שניזוקו. רק היצרן או מעבדה מורשית מטעמו רשאים לטפל בסוללות.

2.2 הנחיות בטיחות למקדחות

הנחיות בטיחות לכל העבודות

- ◀ השתמש בידיית האחיזה הנוספת. אובדן השליטה במכשיר עלול לגרום לפציעות.
- ◀ כאשר אתה במצב עבודה שבהן הכלי המחובר או הברגים עלולים לפגוע בקווי חשמלי מוסתרים, אחז בכלי העבודה החשמלי באזורי האחיזה המבודדים. מגע בקווים המוליכים זרם עלול להעביר זרם גם לחלקים מתכתיים במכשיר שלך ולגרום להתחשמלות.

הנחיות בטיחות לשימוש במקדחים ארוכים

- ◀ בשום אופן אין לעבוד בסל"ד גבוה מהסל"ד המקסימלי המותר עבור המקדח. קידוח בסל"ד גבוה יותר עשוי לגרום למקדח להתעקם מטעם כאשר הוא מסתובב בחופשיות ללא מגע בחלק שבעבודה ולגרום לפציעות.
- ◀ התחל כל קידוח בסל"ד נמוך, כשהמקדח נוגע בחלק שבעבודה. קידוח בסל"ד גבוה יותר עשוי לגרום למקדח להתעקם מטעם כאשר הוא מסתובב בחופשיות ללא מגע בחלק שבעבודה ולגרום לפציעות.
- ◀ דחף את המקדח רק בכיוון האורכי וללא הפעלת לחץ מופרז. המקדחים עשויים להתעקם ועקב כך להישבר או לגרום לאובדן שליטה ולפציעות.

2.3 הוראות בטיחות נוספות למברגות

- ◀ השתמש במוצר ובאביזרים רק בתנאי שהם נמצאים במצב טכני מושלם.
- ◀ אל תבצע בשום אופן שינויים או מניפולציות במוצר או באביזרים.
- ◀ לפני תחילת העבודה בדוק אם ישנם כבלי חשמל, צינורות גז או מים נסתרים. חלקים מתכתיים חיצוניים על המכשיר עלולים לגרום התחשמלות או פיצוץ כאשר פוגעים בכבל חשמל, בצינור גז או מים.
- ◀ אבק ננוצר במהלך ליטוש, השחזה, חיתוך או קידוח עלול להכיל כימיקלים מסוכנים. להלן כמה דוגמאות: עופרת או צבעים על בסיס עופרת; לבנים, בטון וחומי קיר אחרים, אבן טבעית ומוצרים אחרים המכילים סיליקט; עצים מסוימים, כגון אלון, בוק ועץ שעבר טיפול כימי; אסבסט או חומרים המכילים אסבסט. יש למדוד את חשיפת המשתמש והאנשים בסביבה על פי דיוור הסכנה של החומרים שבהם עובדים. נקט את האמצעים הדרושים כדי לשמור את החשיפה ברמה בטוחה, לדוגמה שימוש במערכות שאיבת אבק או לבישת מסיכת נשימה מתאימה. להלן רשימה של אמצעים כלליים להפחתת החשיפה:
 - ◀ עבודה באזור מאוורר היטב.
 - ◀ הימנעות ממגע ממושך עם האבק.
 - ◀ סילוק האבק מהפנים והגוף.
 - ◀ לבישת ביגוד מגן ושטיפת אזורים חשופים במים וסבון.
- ◀ סכנת פציעה מכלי עבודה ו/או אביזרים נופלים. לפני תחילת העבודה בדוק שהסוללה והאביזר המותקן מחוברים היטב.
- ◄ אל תשתמש במקדחים קהים.
- ◄ עבודה עם כלים גדולים וכבדים יש לעבוד תמיד בהילוך ראשון. אחרת קיימת סכנה שהמכשיר ייזקק בעת ההפעלה ואפילו שהתפסנית תשתחרר.
- ◄ השתמש בידיית העזר המצורפת למוצר. אובדן השליטה במכשיר עלול לגרום לפציעות. ודא שידית העזר יושבת יציב ומחוברת היטב.
- ◄ הדלק את המכשיר רק לאחר שהבאת אותו לעמדת העבודה.
- ◄ דקק את החלק שבעבודה. השתמש בהתקני הידוק או במלחציים כדי לייצב את החלק שבעבודה. כך החלק מיוצב טוב הרבה יותר מאשר כשאתה מחזיק אותו בידך, ובנוסף לכך שתי ידיך נותרות פנויות לתפעול המכשיר.
- ◄ אחז את המוצר היטב תמיד בשתי ידיים בידיית האחיזה שלו. שמור על ידיית האחיזה נקיות ויבשות.
- ◄ שמור על חריצי האוורור פנויים תמיד. סכנת כוויה כשחריצי האוורור מכוסים!
- ◄ אין לגעת בחלקים מסתובבים - סכנת פציעה!
- ◄ במהלך השימוש במוצר לבש מגני עיניים, קסדת הגנה, מגני שמיעה ומסכת נשימה מתאימה.
- ◄ השתמש במגני עיניים. שבבי חומר שבידחים עלולים לפצוע את הגוף והעיניים.
- ◄ אל תבטי ישירות לתאורה (לד) של המוצר ואל תאיר ישירות לפניהם של אנשים אחרים. סכנת סנוור.



- ◀ ערוך הפסקות תכופות ותרגילים לשיפור זרימת הדם לאצבעות. בעבודה ממושכת הרעידות החזקות מהמכשיר עשויות לגרום להפרעות בכלי הדם או במערכת העצבים של האצבעות, כפות הידיים או שורשי כף היד.
- ◀ המתן עד לעצירה מלאה של המוצר לפני שאתה מניח אותו.
- ◀ לבש נעלי בטיחות בעת החלפת כלי. מגע בכלי עלול לגרום לפציעות ולכוויות.

2.4 טיפול ושימוש קפדניים בסוללות נטענות

- ◀ **שים לב להוראות הבטיחות הבאות בנושא טיפול בטוח ושימוש בטוח בסוללות ליתיום-יון.** אי הקפדה עשוי להוביל לגירויים בעור, פציעות צריבה קשות, כוויות כימיות, לדליקה ו/או לפיצוץ.
- ◀ השתמש רק בסוללות שנמצאות במצב טכני מושלם.
- ◀ טפל בסוללות בהקפדה כדי למונע נזקים ולמנוע דליפה של נוזלים מסוכנים לבריאות!
- ◀ בשום אופן אסור להכניס שיבויים כלשהם בסוללות!
- ◀ אין לפרק, למעוך, לחמם לטמפרטורה גבוהה מ-80°C (176°F) או לשרוף את הסוללות הנטענות.
- ◀ אל תשמש או תטען סוללות שקיבלו מכה או ניזוקו בדרך אחרת. בדוק את הסוללות שלך באופן סדיר כדי לזהות סימני נזק.
- ◀ בשום אופן אין להשתמש בסוללות ממוחזרות או מתוקנות.
- ◀ לעולם אין להשתמש בסוללה או בכלי עבודה חשמלי המופעל בסוללה כפטיש.
- ◀ לעולם אין לחשוף את הסוללה לקרינת שמש ישירה, לטמפרטורה גבוהה, לביצוצות או ללהבה גלויה. זה עלול להוביל לפיצוץ.
- ◀ אל תיגע בקוטבי הסוללה באצבעותיך, באמצעות כלי עבודה, תכשיטים או באמצעות עצמים מוליכי חשמל אחרים. זה עלול לפגוע בסוללה כמו גם לגרום נזקי רכוש ופציעות.
- ◀ הרחק סוללות מרטיבות ונוזלים. חדירת לחות עלולה לגרום קצר, התחשמלות, כוויות, דליקה ופיצוץ.
- ◀ השתמש רק במטענים ובכלי עבודה חשמליים המיועדים לסוג סוללה זה. שים לב בנושא זה לדרישות המופיעות בהוראות ההפעלה המתאימות.
- ◀ אין להשתמש בסוללה בסביבה נפיצה או לאחסן אותה בסביבה נפיצה.
- ◀ אם הסוללה חמה כל כך שלא ניתן לגעת בה, ייתכן שהיא אינה תקינה. הנח את הסוללה במקום לא דליק, גלוי, רחוק מספיק מחומרים דליקים. אפשר לסוללה להתקרר. אם כעבור שעה הסוללה עדיין חמה מדי לנגיעה, אז היא פגומה. פנה לשירות של Hilti או קרא את המסמך "הנחיות בנושא בטיחות ושימוש בסוללות ליתיום-יון של Hilti".

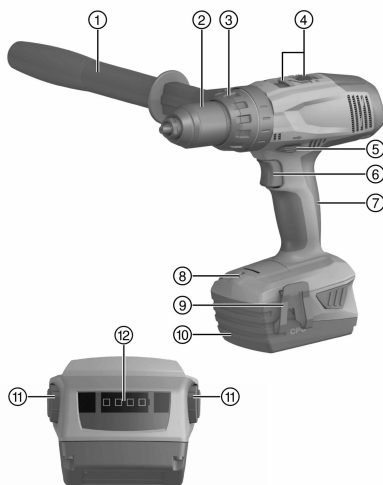
שים לב לתקנות המיוחדות החלות על הובלה, אחסון ושימוש בסוללות ליתיום-יון. ← עמוד 22

קרא את הנחיות בנושא בטיחות ושימוש בסוללות ליתיום-יון של Hilti; אפשר להגיע אליהן דרך קוד ה-QR שבסוף הוראות אלה.

3 תיאור

3.1 סקירת המוצר

- ① ידית אחיזה צדית
- ② תפסנית מהירה
- ③ טבעת לקביעת מומנט הפיתול ולקידוח
- ④ מתג חברית הליון
- ⑤ מתג כיוון סיבוב עם סימנת הפעלה
- ⑥ מתג הפעלה (עם בקרת מהירות סיבוב אלקטרונית)
- ⑦ ידית אחיזה
- ⑧ תאורת אזור העבודה
- ⑨ תפס לחגורה (אופציונלי)
- ⑩ סוללת ליתיום-יון
- ⑪ לחצן שחרור סוללה
- ⑫ חייוי רמת טעינה ותקלות (סוללת ליתיום-יון)



3.2 שימוש בהתאם ליעוד

המוצר המתואר זו מקדחה/מברגה ידנית המופעלת באמצעות סוללה נטענת. היא מיועדת להחדרה ולשחרור של ברגים ולקיבוע בפלדה, בעץ ובפלסטיק.

- השתמש עבור מוצר זה רק בסוללות ליתיום-יון של Hilti מסדרת הדגמים B 22.
- השתמש עבור סוללות נטענות אלה רק במטענים שאושרו על ידי Hilti. מידע נוסף תמצא ב-Hilti Store או בכתובת: www.hilti.group

3.3 ATC

המוצר מצויד בפונקציית כיבוי אלקטרוני מהיר (ATC (Active Torque Control). אם הכלי המחובר נחסם או נתקע, המוצר יתחיל להסתובב בפתאומיות בצורה לא מבוקרת לכיוון הפוך. ATC מזהה את תנועת הסיבוב הפתאומית הזו של המוצר ומכבה מיד את המוצר.

לצורך תפקוד תקין המוצר צריך להיות מסוגל להסתובב. לאחר הכיבוי המהיר, כבה את המוצר והפעל אותו מחדש.

3.4 חיוי סוללת הליתיום-יון

החיויים בסוללת הליתיום-יון מציגים את רמת הטעינה של הסוללה ותקלות המכשיר. לאחר לחיצה על אחד משני לחצני השחרור של הסוללה תוצג רמת הטעינה של סוללת הליתיום-יון.

מצב	משמעות
4 נוריות מאירות.	רמת טעינה: 75% עד 100%
3 נוריות מאירות.	רמת טעינה: 50% עד 75%
2 נוריות מאירות.	רמת טעינה: 25% עד 50%
נורית 1 מאירה.	רמת טעינה: 10% עד 25%
נורית 1 מהבהבת, המכשיר מוכן לעבודה.	רמת טעינה: > 10%
נורית 1 מהבהבת, המכשיר אינו מוכן לעבודה.	הסוללה התחממה מדי או נפרקה לגמרי.
4 נוריות מהבהבות, המכשיר אינו מוכן לעבודה.	עומס יתר או התחממות יתר של המכשיר.

בזמן שמתג ההפעלה לחוץ וכן במשך 5 השניות הראשונות לאחר שחרור מתג ההפעלה לא ניתן לברר את מצב הטעינה של הסוללה. אם נוריות החייו של הסוללה מהבהבות, ראה בבקשה הערות בפרק פתרון תקלות.

3.5 מפרט אספקה

מברגה-מקדחה, ידית אחיזה צדית, הוראות הפעלה
מוצרים נוספים המאפשרים עבור המוצר שלך תמצא ב-Hilti Store או בכתובת: www.hilti.group

4 נתונים טכניים

4.1 מברגה-מקדחה

מתח נקוב	
משקל לפי EPTA Procedure 01 כולל סוללה B22/8.0	
סל"ד	הילוך 1
	הילוך 2
	הילוך 3
	הילוך 4
קביעת מומנט פיתול (15 דרגות)	
Ø מקדח (עץ רך)	1.5 מ"מ ... 50 מ"מ
Ø מקדח (עץ קשה)	1.5 מ"מ ... 20 מ"מ
Ø מקדח (מתכת)	1.5 מ"מ ... 13 מ"מ



21.6 וולט	מתח עבודה עם סוללה בטענת
60 °C ... -10 °C	טמפרטורת סביבה
40 °C ... -20 °C	טמפרטורת אחסון
45 °C ... -10 °C	טמפרטורת הסוללה בתחילת הטעינה

4.3 ערכי רעש לפי EN 62841

ערכי לחץ הקול והרעידות המצוינים בהוראות אלה נמדדו בהתאם לנוהל המדידה התקי, וניתן להשתמש בהם לצורך השוואה בין כלי עבודה חשמליים. הם מתאימים גם להערכה זמנית של העומסים.

הנתונים המצוינים תקפים לשימושים העיקריים בכלי העבודה החשמלי. אולם אם משתמשים בכלי העבודה החשמלי לשימושים אחרים, בשילוב אביזרים אחרים או אם המכשיר אינו עובר תחזוקה מספקת, הנתונים עשויים להשתנות. בעקבות זאת פריסת העומסים למשך זמן העבודה כולו עשויה להיות גבוהה באופן משמעותי.

לצורך הערכה מדויקת של העומסים יש לקחת בחשבון גם את הזמנים שבהם המכשיר כבוי או שבהם הוא פועל אך אינו בשימוש בפועל. בעקבות זאת פריסת העומסים למשך זמן העבודה כולו עשויה להיות נמוכה באופן משמעותי.

יש לקבוע הנחיות בטיחות נוספות להגנה על המשתמש מפני ההשפעות של קול ו/או רעידות, כגון: תחזוקה של כלי העבודה החשמלי ושל כלי העבודה המחבורים, שמירה על ידיים חמות, ארגון תהליכי העבודה.

ערכי רעש

SF 10W-A22	
75 dB(A)	רמת לחץ קול בפלטת (L_{pA})
3 dB(A)	אי-ודאות ברמת לחץ קול (K_{pA})
86 dB(A)	רמת הספק קול (L_{WA})
3 dB(A)	אי-ודאות ברמת הספק הקול (K_{WA})

ערכי רעידות כוללים

SF 10W-A22	
$2.5 > \text{מ}^2/\text{שני}^2$	ערך פליטת רעידות הברגה (a_h)
$1.5 \text{מ}^2/\text{שני}^2$	אי-ודאות הברגה (K)
$2.5 > \text{מ}^2/\text{שני}^2$	קידוח במתכת (a_h, d)
$1.5 \text{מ}^2/\text{שני}^2$	אי-ודאות קידוח במתכת (K)

5 הכנה לעבודה
⚠ אזהרה

סכנת פציעה עקב התחלת תנועה בשוגג!

- ◀ לפני חיבור הסוללה ודא שהמוצר כבוי.
- ◀ הסר את הסוללה לפני שאתה מבצע כוונונים כלשהם במכשיר או מחליף אביזרים.

ציית להוראות הבטיחות והאזהרות שבתיעוד זה ולאלה המצוינות על המוצר.

5.1 חיבור הסוללה
⚠ אזהרה

סכנת פציעה עקב קצר או כפילת סוללה!

- ◀ לפני חיבור הסוללה ודא שהמגעים של הסוללה ושל המוצר נקיים מגופים זרים.
- ◀ ודא תמיד שהסוללה תפוסה היטב.

1. טען את הסוללה למצב מלא לגמרי לפני השימוש הראשון.
2. דחף את הסוללה למוצר עד שאתה שומע אותה נבעלת.
3. ודא שהסוללה יושבת היטב.

5.2 הסרת הסוללה

1. לחץ על לחצני השחרור של הסוללה.
2. הסר את הסוללה מהמכשיר.



5.3 טעינת סוללה

1. קרא את הוראות ההפעלה של המטען לפני הטעינה.
2. ודא שהמגעים של הסוללה ושל המטען נקיים ויבשים.
3. טען את הסוללה במטען מאושר. – עמוד 18

5.4 התקנת ידית האחיזה הצדית 2

⚠️ זהירות

סכנת פציעה עקב התחלת תנועה בשוגג!

◀ ודא שמתג כיוון הסיבוב נמצא בעמדה האמצעית (חסימת הפעלה) או שהסוללה מנותקת מהמברגה/מקדחה.

◀ התקן את ידית האחיזה הצדית.

5.5 כוונת ידית האחיזה הצדית 3

◀ כוון את ידית האחיזה הצדית למיקום המבוקש.

5.6 חיבור כלי

1. העבר את מתג כיוון הסיבוב לעמדה האמצעית או נתק את הסוללה מהמכשיר.
2. בדוק אם הקנה של הכלי נקי. נקה אותו במקרה הצורך.
3. פתח את התפסנית המהירה.
4. הכנס את הכלי אל התפסנית המהירה והדק את התפסנית המהירה עד שתשמע רצף של כמה "קליקים" מכניים.
5. ודא שהכלי מחובר באופן יציב.

5.7 הוצאת כלי

1. העבר את מתג כיוון הסיבוב לעמדה האמצעית או נתק את הסוללה מהמכשיר.
2. פתח את התפסנית המהירה.
3. משוך את הכלי אל מחוץ לתפסנית המהירה.

5.8 אבטחת נפילה

⚠️ אזהרה

סכנת פציעה כשכלי העבודה ו/או האבזר נופלים!

- ◀ השתמש רק בחבל אבטחה של **Hilti** המומלץ עבור המוצר שלך.
- ◀ בדוק את נקודת החיבור של חבל האבטחה של כלי העבודה לפני כל שימוש כדי לזהות נזקים.
- ◀ אין לחבר את חבל האבטחה של כלי העבודה לזו החגורה. אין להרים את המוצר מזו החגורה.

שם לב לחוקים בנוגע לעבודה בגובה.

מותר לאבטח מוצר זה נגד נפילות אך ורק באמצעות שילוב של רצועת האבטחה #2293133 של **Hilti** עם חבל האבטחה #2261970 של **Hilti**.

- ◀ חבר את רצועת האבטחה לפתחי התקנת האבזרים. בדוק שהחיבור יציב.
- ◀ חבר שאקל אחד של חבל אבטחת כלי העבודה לרצועת האבטחה ואת השאקל השני למבנה יציב. בדוק ששני השאקלים מחוברים בצורה בטוחה.

שים לב להוראות הבטיחות של רצועת האבטחה של **Hilti** ושל חבל אבטחת כלי העבודה של **Hilti**.

6 עבודה

⚠️ זהירות

סכנת דק עקב שימוש לא נכון!

◀ אל תתפעל את מתג בחירת כיוון הסיבוב ו/או את בורר הפעולות במהלך העבודה.

צייט להוראות הבטיחות והאזהרות שבתיעוד זה ולא להציונות על המוצר.



6.1 קביעת כיוון סיבוב ימינה/שמאלה 4

מנגנון נעילה מונע החלפת כיוון בדמן שהמנוע פועל. בעמדה האמצעית מתג ההפעלה חסום (חסירת הפעלה).

◀ העבר את מתג כיוון הסיבוב לעמדה המתאימה עבור כיוון הסיבוב המבוקש.

6.2 בחירת הילוך 5

◀ בחר את הילוך המבוקש באמצעות שני מתגי בחירת הילוך.

6.3 הפעלה

◀ לחץ על מתג ההפעלה.

ניתן לשלוט במהירות הסיבוב באמצעות עומק הלחיצה על מתג ההפעלה.

6.4 קידוח

1. העבר את הטבעת לקביעת מומנט הפיתול וסוג הפעולה לסמל .
2. העבר את מתג כיוון הסיבוב לכיוון סיבוב ימינה.

6.5 הברגה

1. קבע את מומנט הפיתול המבוקש באמצעות הטבעת לקביעת מומנט הפיתול וסוג הפעולה.
2. העבר את מתג כיוון הסיבוב לעמדה המתאימה עבור כיוון הסיבוב המבוקש.

6.6 כיבוי

◀ שחרר את מתג ההפעלה.

7 טיפול ותחזוקה

אזהרה

סכנת פציעה כאשר הסוללה מחוברת !

◀ לפני ביצוע עבודות טיפול ותחזוקה כלשהן יש להקפיד להסיר את הסוללה!

טיפול במוצר

- הסר בזהירות לכלוך דבוק.
- אם ישנם, נקה את חריצי האווורור בזהירות בעזרת מברשת רכה ויבשה.
- נקה את גוף המכשיר רק באמצעות מטלית לחה מעט. אל תשתמש בחומרי טיפול המכילים סיליקון, מאחר שהם עלולים לפגוע בחלקי הפלסטיק.
- נקה את המגעים באמצעות מטלית נקייה ויבשה.

טיפול בסוללות ליתיום-יון

- לעולם אין להשתמש בסוללה שחריצי האווורור שלה סתומים. נקה את חריצי האווורור בזהירות בעזרת מברשת רכה ויבשה.
- מנע חשיפת הסוללה לאבק ולכלוך שלא לצורך. בשום אופן אין לחשוף את הסוללה ללחות גבוהה (לדוגמה להטביל אותה במים או להביח אותה בגשם).
- אם הסוללה נרטבה מאוד, יש להתייחס אליה כאל סוללה פגומה. בודד אותה במיכל לא דליק ופנה לשירות של Hilti.
- שמור על הסוללה נקייה משמן וגריד לא שייכים. אל תאפשר הצטברות מיותרת של לכלוך ואבק על הסוללה. נקה את הסוללה במטלית יבשה ורכה או במטלית נקייה ויבשה. אל תשתמש בחומרי טיפול המכילים סיליקון, מאחר שהם עלולים לפגוע בחלקי הפלסטיק.
- אל תיגע במגעים של הסוללה ואל תסיר מהמגעים גריד שהושם במפעל.
- נקה את גוף המכשיר רק באמצעות מטלית לחה מעט. אל תשתמש בחומרי טיפול המכילים סיליקון, מאחר שהם עלולים לפגוע בחלקי הפלסטיק.

תחזוקה

- בדוק באופן סדיר את כל החלקים הגלויים כדי לאתר נדקים ולוודא שכל הרכיבים פועלים באופן תקין.
- אל תפעל את המוצר אם ישנם נדקים ו/או תקלות. פנה מיד לשירות של Hilti כדי לתקן את המוצר.
- לאחר עבודות טיפול ותחזוקה יש להתקין בחזרה את כל ציוד ההגנה ולבדוק שהוא פועל בצורה תקינה.



8

הובלה ואחסון של כלי עבודה בטענים וסוללות

הובלה

⚠️ זהירות

התחלת פעולה בשוגג במהלך הובלה!

יש להוביל את המכשיר כשהסוללה מנותקת ממנו!

- ◀ הוצא את הסוללה/ות.
- ◀ לעולם אין להוביל את הסוללה בצורה חופשית בין עצמים לא ארזים. בזמן ההובלה הסוללות צריכות להיות מוגנות מפני הנטות ורעידות רבות וכן מבודדות מפני חומרים מוליכים כלשהם או סוללות אחרות, כדי שלא ייווצר מגע בינן לבין מגעים של סוללות אחרות ועקב כך קצר. **שים לב לכללי ההובלה במדינתך בנוגע לסוללות.**
- ◀ אסור לשלוח סוללות בדואר. אם אתה רוצה לשלוח סוללות לא פגומות, פנה לשם כך לחברת משלוחים והובלות.
- ◀ בדוק אם ישנם דקים במוצר ובסוללות לפני כל שימוש וכן לפני הובלה ארוכה.

אחסון

⚠️ אזהרה

נזק לא מכוון כשהסוללות פגומות או דולפות!

יש לאחסן את המכשיר כשהסוללה מנותקת ממנו!

- ◀ אחסן את המוצר והסוללות במקום קריר ויבש. שים לב לערכי הגבול של הטמפרטורה, כמצוין בנתונים הטכניים.
- ◀ אין לאחסן סוללות על המטען. הקפד להוציא את הסוללה מהמטען בסיום תהליך הטעינה.
- ◀ לעולם אין לאחסן סוללות בשמש, על מקורות חום או מאחורי דוכנית.
- ◀ אחסן את המוצר והסוללה הרחק מהישיג ידם של ילדים או אנשים לא מורשים.
- ◀ בדוק אם ישנם דקים במוצר ובסוללות לפני כל שימוש וכן לפני אחסון ממושך.

9

עזרה במקרה תקלה

אם מתרחשת תקלה שאינה מוסברת בטבלה זה או שאינך יכול לתקן בעצמך, פנה לשירות של Hilti.

תקלה	סיבה אפשרית	פתרון
המוצר אינו פועל.	הסוללה אינה מוכנסת עד הסוף.	◀ ודא שהסוללה נבעלת בצליל נקישה.
	הסוללה התרוקנה.	◀ החלף סוללה, וטען את הסוללה הריקה.
המוצר אינו פועל וכל ארבע הנוריות מהבהבות.	עומס יתר זמני על המוצר.	◀ שחרר את מתג ההפעלה ולחץ עליו מחדש.
	הגנת התחממות היתר הוזנקה.	◀ הנח למוצר להתקרר. בקה את חריצי האוורור.
המוצר אינו פועל ונורית אחת מהבהבת.	הסוללה התרוקנה.	◀ החלף סוללה, וטען את הסוללה הריקה.
	הסוללה חמה מדי או קרה מדי.	◀ הבא את הסוללה לטמפרטורת העבודה המומלצת.
לא ניתן ללחוץ על מתג ההפעלה/כיבוי או שהמתג חסום.	מתג כיוון הסיבוב נמצא בעמדה האמצעית.	◀ דחף את מתג כיוון הסיבוב שמאלה או ימינה.
הסוללה מתרוקנת מהר מהרגיל.	טמפרטורת סביבה נמוכה מאוד.	◀ אפשר לסוללה להתחמם בהדרגה לטמפרטורת החדר.
הסוללה אינה נתפסת בצליל נקישה כפול ברור.	זידי הנעילה בסוללה מלוכלכים.	◀ נקה את לשוניות החיבור וחבר את הסוללה. אם הבעיה נמשכת, פנה לשירות של Hilti.
התחממות גבוהה במוצר או בסוללה.	עומס יתר על המוצר (חריגה מגבולות השימוש).	◀ לפני כל עבודה יש לבדוק את נתוני ההספק של המוצר. ראה הנתונים הטכניים.



אזהרה

סכנת פציעה בעקבות סילוק לא תקין! סכנה בריאותית מהשתחררות גדים ונוזלים.

- ◀ אין לשלוח סוללות פגומות!
- ◀ כסה את החיבורים באמצעות חומר לא מוליך, כדי למנוע קצר.
- ◀ סלק סוללות כך שהן לא יוכלו להגיע לידיהם של ילדים.
- ◀ סלק את הסוללה ב- **Hilti Store** או פנה לחברת המיחזור האחראית.

המוצרים של **Hilti** מיוצרים בחלקם מגדול מחומרים ניתנים למיחזור. כדי שניתן יהיה למחזרם דרושה הפרדת חומרים מקצועית. במדינות רבות **Hilti** תקבל את המכשיר הישן שלך בחזרה לצורך מיחזור. פנה לשירות של **Hilti** או למשווק.

- ◀ אין להשליך כלי עבודה חשמליים, כלים אלקטרוניים וסוללות לפסולת הביתית!

11 אחריות יצרן

- ◀ אם יש לך שאלות בנושא תנאי האחריות, אנא פנה למשווק **Hilti** הקרוב אליך.

12 מידע נוסף

מידע נוסף על ההפעלה, הטכנולוגיה, הגנת הסביבה ומיחזור תמצא בקישור הבא:
qr.hilti.com/manual/?id=2130485&id=2130487
 את הקישור הזה תמצא גם בסוף הוראות השימוש האלה בצורת קוד QR.





EC Declaration of Conformity | UK Declaration of Conformity



Manufacturer:
Hilti Corporation
Feldkircherstraße 100
9494 Schaan | Liechtenstein

UK Importer:
Hilti (Gt. Britain) Limited
No. 1 Circle Square, 3 Symphony Park
Manchester, England, M1 7FS

SF 10W-A22 (02)

Serial Numbers: 1-9999999999

2006/42/EC | Supply of Machinery (Safety) Regulations 2008

EN 62841-1:2015 + AC:2015

EN 62841-2-1:2018 + A11:2019

2014/30/EU | Electromagnetic Compatibility Regulations 2016

EN 55014-1:2021

EN 55014-2:2021

2011/65/EU | The Restriction of the Use of Certain Hazardous Substances in Electrical and Electronic Equipment Regulations 2012

Dr. Tahar Zrilli
Head of Quality and Process Management
Business Area Electric Tools & Accessories

Schaan, 22.04.2022

Edward-Louis Przybyłowicz
Head of BU Power Tool & Accessories
Business Area Electric Tools & Accessories





Hilti Corporation
LI-9494 Schaan
Tel.:+423 234 21 11
Fax:+423 234 29 65
www.hilti.group



2130487