



# KCC-MD Long Plate $\frac{3}{8}$ "

2277312-04.2023

## 20 KWIK CAST CONNECT KCC-MD LONG PLATE $\frac{3}{8}$ " GRN-GRN #2268009



Info | Shop



qr.hilti.com/2268009

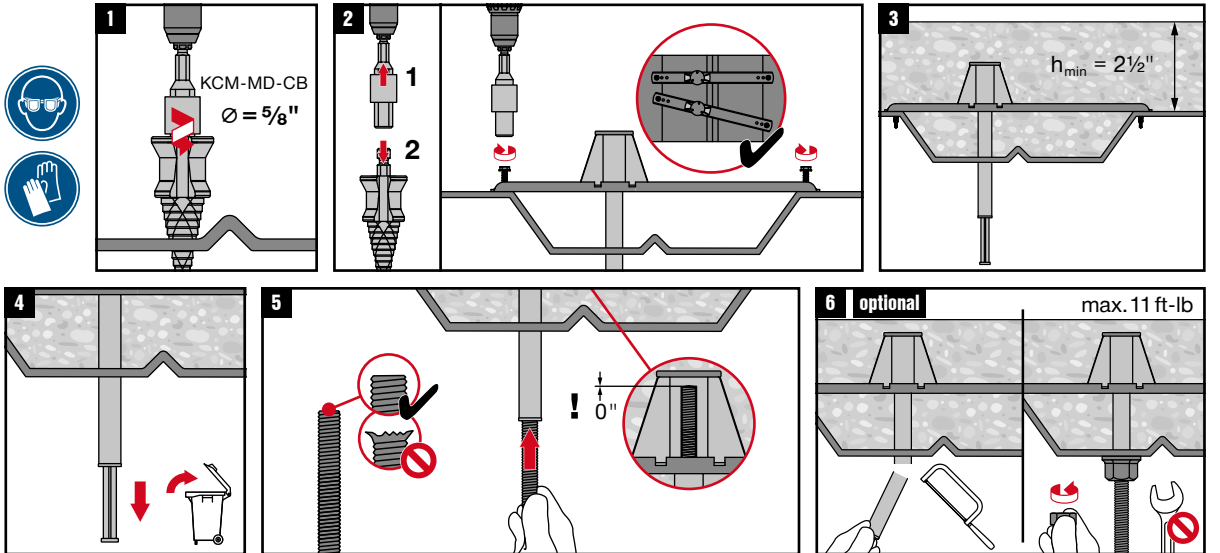
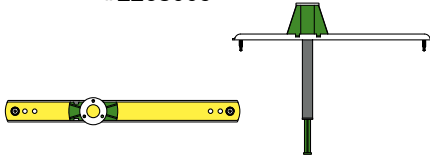
LOT NUMBER:



Made in Taiwan  
Hilti = trademark of  
Hilti Corp., Schaun, LI



7 613024 294534



Per FM approval, the metal plate of the insert must be on the top of the deck flutes.  
For seismic bracing applications cut tube flush to bottom of metal deck.