

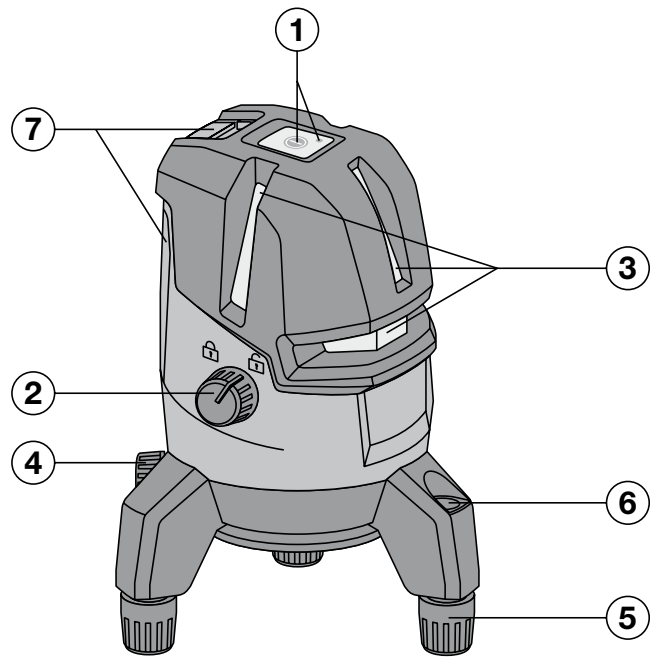


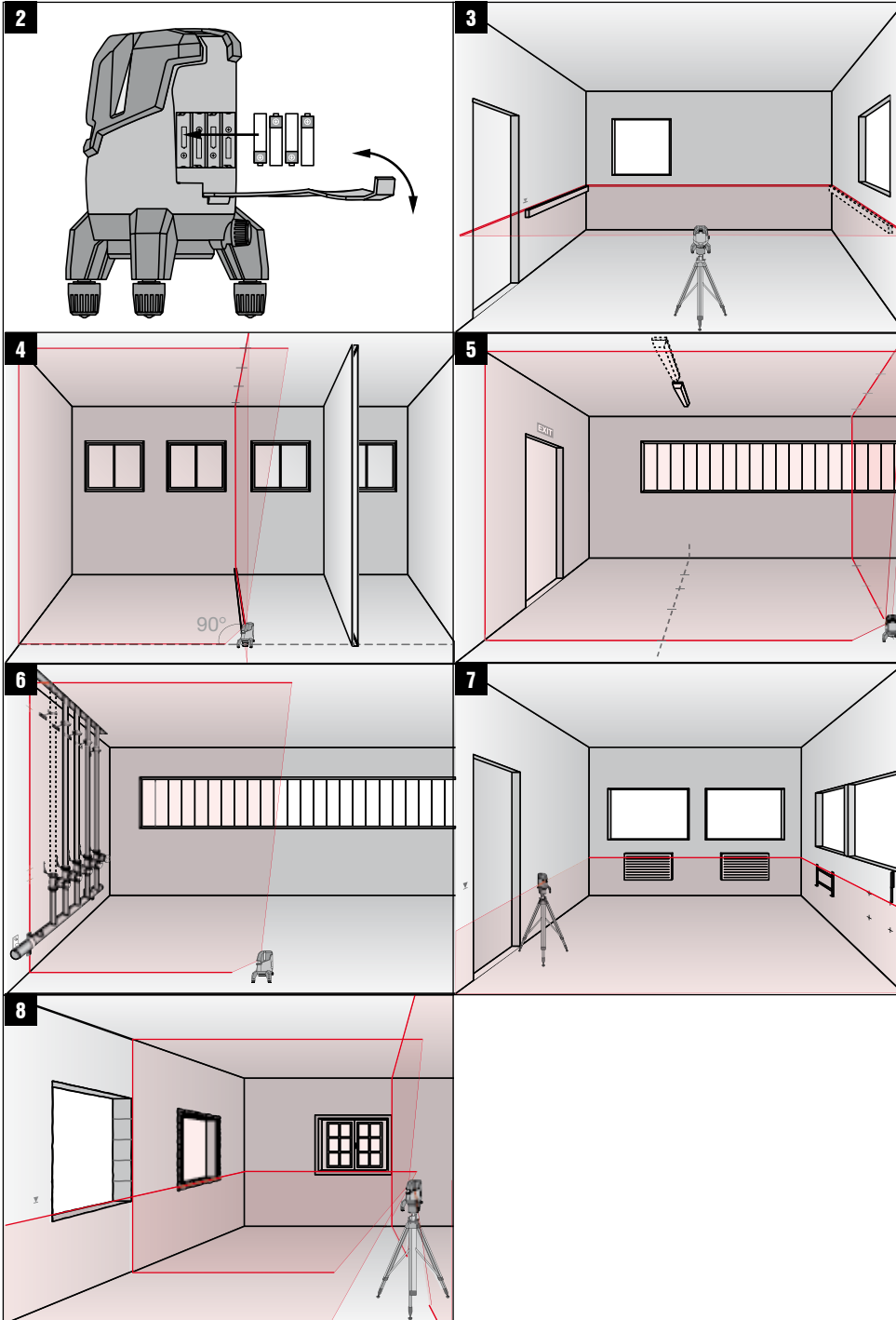
CE

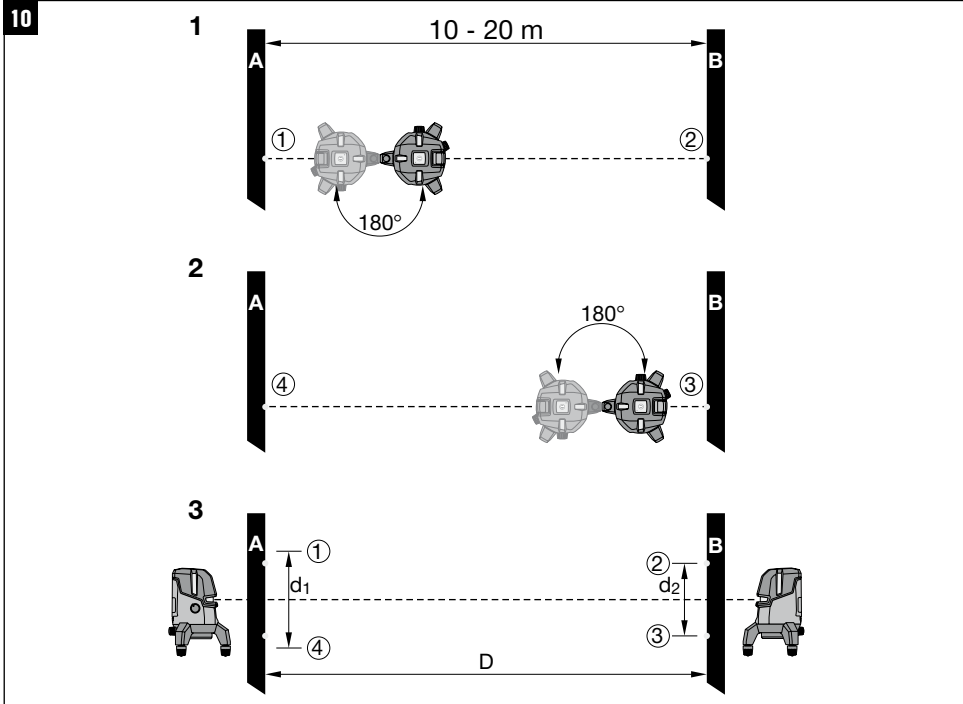
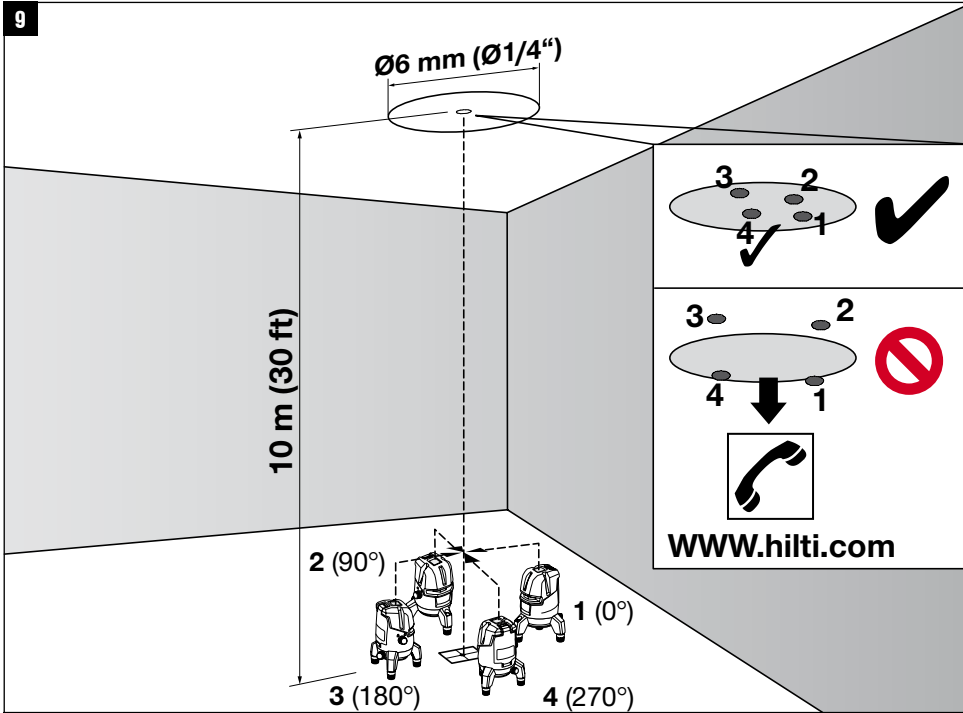
PM 4-M

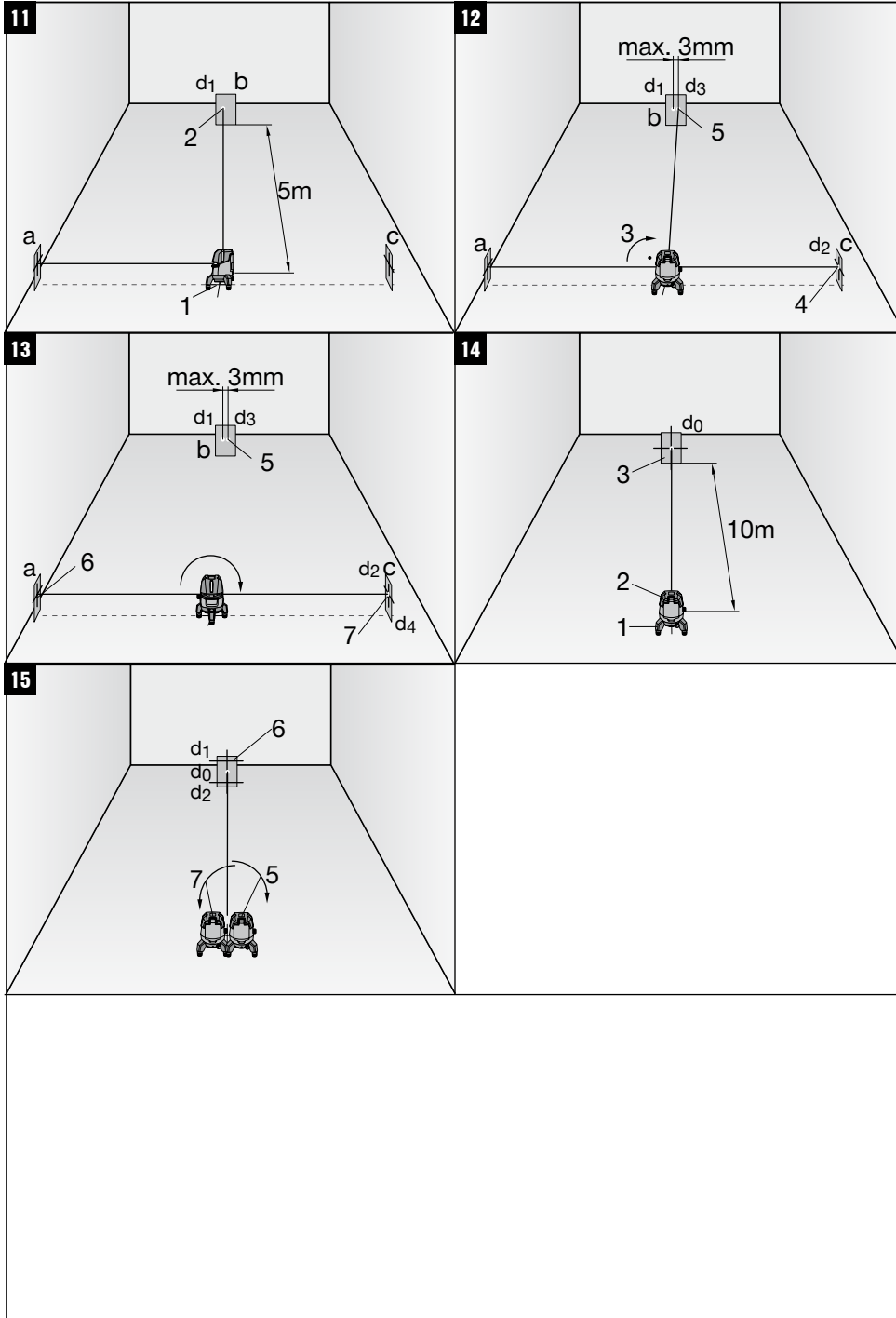
Operating instructions	en
取扱説明書	ja
사용설명서	ko
操作說明書	zh
操作说明书	cn

1

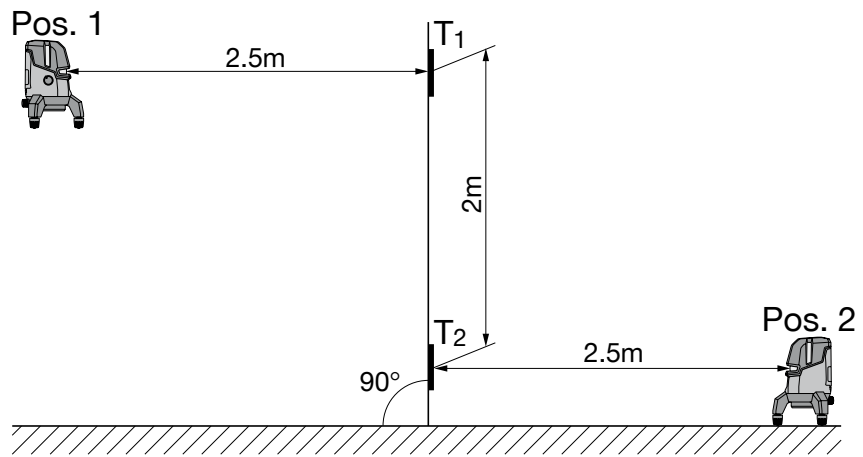








16



ORIGINAL OPERATING INSTRUCTIONS

PM 4-M multi-line laser

It is essential that the operating instructions are read before the tool is operated for the first time.

Always keep these operating instructions together with the tool.

Ensure that the operating instructions are with the tool when it is given to other persons.

Contents	Page
1 General information	1
2 Description	2
3 Accessories	3
4 Technical data	3
5 Safety instructions	4
6 Before use	5
7 Operation	6
8 Care and maintenance	8
9 Troubleshooting	8
10 Disposal	9
11 Manufacturer's warranty - tools	9

1 These numbers refer to the corresponding illustrations. The illustrations can be found on the fold-out cover pages. Keep these pages open while studying the operating instructions.

In these operating instructions, the designation "the tool" always refers to the PM 4-M multi-line laser.

Parts, operating controls and indicators **1**

- ① On/off button with LED
- ② Rotary knob for pendulum locking mechanism
- ③ Laser exit window
- ④ Fine adjustment for rotation platform
- ⑤ Adjustable foot
- ⑥ Circular bubble level
- ⑦ Battery compartment

en

1 General information

1.1 Safety notices and their meaning

DANGER

Draws attention to imminent danger that will lead to serious bodily injury or fatality.

WARNING

Draws attention to a potentially dangerous situation that could lead to serious personal injury or fatality.

CAUTION

Draws attention to a potentially dangerous situation that could lead to slight personal injury or damage to the equipment or other property.

NOTE

Draws attention to an instruction or other useful information.

1.2 Explanation of the pictograms and other information

Warning signs



General warning

Symbols



Read the operating instructions before use.



Disposal of power tools or appliances and batteries together with household waste is not permissible.

On the tool



Do not stare into the beam.
Laser warning plates for the USA in accordance with CFR 21 § 1040 (FDA).

On the tool



Laser radiation. Do not look into the beam. Laser class 2.
Laser warning plate according to IEC60825/EN60825-1:2007

en

Location of identification data on the tool

The type designation and serial number can be found on the type identification plate on the tool. Make a note of this data in your operating instructions and always refer to it when making an enquiry to your Hilti representative or service department.

Type: _____

Generation: 01 _____

Serial no.: _____

2 Description

2.1 Use of the product as directed

The PM 4-M is a self-leveling multi-line laser which allows a single person to transfer right angles, level horizontally and carry out alignment work, and plumb accurately. The tool has three lines (one horizontal and two vertical), a reference point at the bottom as well as four points of line intersection (front, top, left and right) with a range of approx. 10 m. The range is dependent on the brightness of ambient light.

The tool is designed for mainly indoor use and is no substitute for a rotating laser.

When used for outdoor applications, care must be taken to ensure that the general conditions are similar to those encountered indoors. Possible applications are:

Marking the position of partition walls (at right angles and in the vertical plane).

Checking and transferring right angles.

Aligning components to be installed or sections of a structure in three axes.

Transferring points marked on the floor to the ceiling.

The laser lines can be switched on both separately (vertical or horizontal line only) and together. When used with inclination angle, the pendulum for automatic leveling is blocked.

Observe the information printed in the operating instructions concerning operation, care and maintenance.

Modification of the tool is not permissible.

To avoid the risk of injury, use only genuine Hilti accessories and insert tools.

The tool and its ancillary equipment may present hazards when used incorrectly by untrained personnel or when used not as directed.

2.2 Features

The PM 4-M levels itself automatically within a range of approx. 4°. If this is not sufficient, the tool can be leveled using the adjustable feet and circular bubble level.

Self-leveling takes only approx. 3 seconds.

The multi-line laser gives an "Out of self-leveling range" warning when the self-leveling range is exceeded (the laser beams blink).

The PM 4-M is easy to set up and operate and features a rugged plastic housing.

The tool can be used together with the PMA 31 laser receiver.

In the normal operating mode, the tool switches itself off after 1 hour. Sustained operating mode can be activated by pressing and holding the on/off button for four seconds.

2.3 Items supplied with the toolbox version

- 1 Multi-line laser
- 1 Tripod adapter
- 4 Batteries
- 1 Operating instructions
- 1 Manufacturer's certificate



2.4 Information displayed during operation

LED	The LED does not light.	The tool is switched off.
	The LED does not light.	The batteries are exhausted.
	The LED does not light.	The batteries are inserted incorrectly.
	The LED lights constantly.	The laser beam is switched on. The tool is in operation.
	The LED blinks twice every 10 seconds (pendulum not locked) or every 2 seconds (pendulum locked).	The batteries are almost exhausted.
	The LED blinks.	The tool is switched off but the pendulum is not locked.
Laser beam	The laser beam blinks twice every 10 seconds (pendulum not locked) or every 2 seconds (pendulum locked).	The batteries are almost exhausted.
	The laser beam blinks five times and then remains permanently on.	Automatic power-off has been deactivated.
	The laser beam blinks rapidly.	The tool is unable to level itself (outside the self-leveling range).
	The laser beam blinks every 2 seconds.	Inclined line operating mode. The pendulum is locked, as a result of which the lines are not leveled.

en

3 Accessories

Designation	Short designation	Description
Tripod	PMA 20	
Target plate	PMA 54/55	
Target plate	PRA 50/51	
Laser receiver	PMA 31	
Hilti toolbox		
Laser visibility glasses	PUA 60	The laser visibility glasses are not protective glasses and thus do not protect the eyes from laser beams. As the laser visibility glasses restrict color vision, they should be worn only when working with the PM 4-M laser tool. Do not wear the laser visibility glasses while driving a vehicle on a public road.

4 Technical data

Right of technical changes reserved.

Range of the lines and intersection point	without laser receiver: 10 m with laser receiver: 50 m
Accuracy ¹	±2 mm at 10 m

¹ Influences such as particularly high temperature fluctuations, dampness, shock, dropping, etc. can affect accuracy. Unless stated otherwise, the tool was adjusted or calibrated under standard ambient conditions (MIL-STD-810F).



Self-leveling time	3 s
Laser class	Class 2, visible, 635 nm, ±10 nm (EN 60825-3:2007 / IEC 60825 - 3:2007); class II (CFR 21 §1040 (FDA))
Line width	Distance 5 m: < 2 mm
Self-leveling range	±4° (typical)
Automatic power-off	Activated after: 1 h
Operating status indicator	LED and laser beams
Power supply	AA-size batteries, Alkaline batteries: 4
Operating time (all lines on)	Alkaline battery 2,500 mAh, Temperature +24°C: 7 h (typical)
Operating temperature	Min. -10°C / Max. +50°C
Storage temperature	Min. -25°C / Max. +63°C
Dust and water spray protection (except battery compartment)	IP 54 as per IEC 60529
Tripod thread (tripod adaptor)	BSW ⁵ / ₈ "UNC ¹ / ₄ "
Weight	Including battery: 990 g
Dimensions	124 x 124 x 187 mm

¹ Influences such as particularly high temperature fluctuations, dampness, shock, dropping, etc. can affect accuracy. Unless stated otherwise, the tool was adjusted or calibrated under standard ambient conditions (MIL-STD-810F).

5 Safety instructions

WARNING: Ensure that you read all safety precautions and instructions. Failure to observe the safety precautions and instructions may result in electric shock, fire and/or serious injury. **Retain all safety precautions and instructions for future reference.**

5.1 General safety measures

- a) Check the accuracy of the tool before using it to take measurements.
- b) The tool and its ancillary equipment may present hazards when used incorrectly by untrained personnel or when used not as directed.
- c) To avoid the risk of injury, use only genuine Hilti accessories and additional equipment.
- d) Stay alert, watch what you are doing and use common sense when operating the machine. Don't use the machine when you are tired or under the influence of drugs, alcohol or medication. A moment of inattention while operating machines may result in serious personal injury.
- e) Modification of the tool is not permissible.
- f) Observe the information printed in the operating instructions concerning operation, care and maintenance.
- g) Do not render safety devices ineffective and do not remove information and warning notices.
- h) Keep children and other persons away from the area while the tool or appliance is in use.
- i) Take the influences of the surrounding area into account. Do not expose the tool to rain or snow and do not use it in damp or wet conditions. Do not use the tool where there is a risk of fire or explosion.
- j) Maintain the machine carefully. Check for misalignment or binding of moving parts, breakage of parts and any other condition that may affect the machine's operation. If damaged, have the machine repaired before use. Poor maintenance is the cause of many accidents.
- k) Maintain the machine carefully. Check for misalignment or binding of moving parts, breakage of parts and any other condition that may affect the machine's operation. If damaged, have the machine repaired before use. Poor maintenance is the cause of many accidents.
- l) Have your power tool serviced by a qualified repair person using only identical replacement parts. This will ensure that the safety of the power tool is maintained.
- m) The user must check the accuracy of the tool after it has been dropped or subjected to other mechanical stresses.
- n) When the tool is brought into a warm environment from very cold conditions, or vice-versa, allow it to become acclimatized before use.
- o) Make sure that the tool is mounted securely when adapters or accessories are used.
- p) Keep the laser exit aperture clean to avoid measurement errors.
- q) Although the tool is designed for the tough conditions of jobsite use, as with other optical and elec-

tronic instruments (e.g. binoculars, spectacles, cameras) it should be treated with care.

- r) **Although the tool is protected to prevent entry of dampness, it should be wiped dry each time before being put away in its transport container.**
- s) **Check the accuracy of the measurements several times during use of the tool.**

5.2 Proper organization of the workplace

- a) **Secure the area in which you are working and take care to avoid directing the beam towards other persons or towards yourself when setting up the tool.**
- b) **Avoid unfavorable body positions when working from ladders. Make sure you work from a safe stance and stay in balance at all times.**
- c) Measurements taken through panes of glass or other objects may be inaccurate.
- d) **Ensure that the tool is set up on a steady, level surface (not subject to vibration).**
Use the tool only within its specified limits.
- e) **If several laser tools are used in the same working area, care must be taken to avoid confusing the beams.**
- g) Magnetic fields may affect the accuracy of the tool. It must thus be kept away from magnetic objects. The tool is not affected by the Hilti universal adapter.
- h) **When working with the receiver, it must be held exactly at right angles to the laser beam.**
- i) Do not use the tool in the proximity of medical instruments.

5.3 Electromagnetic compatibility

NOTE

Only for Korea: This is a Class B Device and is registered for EMC requirements for residential use. This device can be used not only in residential areas but in all other areas.

Although the tool complies with the strict requirements of the applicable directives, Hilti cannot entirely rule out the possibility of the tool being subject to interference caused by powerful electromagnetic radiation, leading to incorrect operation. Check the accuracy of the tool by taking measurements by other means when working under such conditions or if you are unsure. Likewise, Hilti cannot rule out the possibility of interference with other devices (e.g. aircraft navigation equipment).

5.4 Laser classification for laser class 2/class II tools

Depending on the version purchased, the tool complies with Laser Class 2 in accordance with IEC825-3:2007 / EN60825-3:2007 and Class II in accordance with CFR 21 § 1040 (FDA). This tool may be used without need for further protective measures. The eyelid closure reflex protects the eyes when a person looks into the beam unintentionally for a brief moment. This eyelid closure reflex, however, may be negatively affected by medicines, alcohol or drugs. Nevertheless, as with the sun, one should not look directly into sources of bright light. Do not direct the laser beam toward persons.

en

5.5 Electrical



- a) Insulate or remove the batteries before shipping the tool.
- b) **To avoid pollution of the environment, the tool must be disposed of in accordance with the currently applicable national regulations. Consult the manufacturer if you are unsure of how to proceed.**
- c) **Keep the batteries out of reach of children.**
- d) **Do not allow the batteries to overheat and do not expose them to fire.** The batteries may explode or release toxic substances.
- e) **Do not charge the batteries.**
- f) **Do not solder the batteries into the tool.**
- g) **Do not discharge the batteries by short circuiting as this may cause them to overheat and present a risk of personal injury (burns).**
- h) **Do not attempt to open the batteries and do not subject them to excessive mechanical stress.**
- i) **Do not use damaged batteries.**
- j) **Do not mix old and new batteries. Do not mix batteries of different makes or types.**

5.6 Liquids

Under abusive conditions, liquid may leak from the battery. **Avoid contact. If contact accidentally occurs, flush with water. In the event of the liquid coming into contact with the eyes, rinse the eyes with plenty of water and consult a doctor.** Liquid ejected from the battery may cause irritation or burns.

6 Before use



6.1 Inserting the batteries 2

DANGER

Use only new batteries.

1. Open the battery compartment.
2. Remove the batteries from the packaging and insert them in the tool.
NOTE Only batteries recommended by Hilti may be used to power the tool.
3. Check that the battery terminals are positioned correctly as shown on the underside of the unit.

- Close the battery compartment. Check that the catch engages properly.

7 Operation

en



NOTE

To achieve maximum accuracy, project the line onto a vertical, flat surface. When doing so, set up the tool at 90° to the surface.

7.1 Operation

7.1.1 Switching the laser beams on

- Unlock the pendulum.
- Press the on/off button once or repeatedly until the desired operating mode is set.

NOTE The tool switches between the operating modes according to the sequence shown below and then starts again from the beginning provided that the on/off button is pressed again within 5 seconds each time.

Vertical laser lines
Horizontal laser line
Vertical and horizontal laser lines

7.1.2 Switching the tool/laser beams off

Press the on/off button until the laser beam is no longer visible and the LED goes out.

NOTE

- The tool can be switched off if the on/off button has not previously been pressed for at least 5 seconds.
- The tool switches itself off automatically after approx. 1 hour.

7.1.3 Deactivating the automatic power-off feature

Press and hold the on/off button for approx. 4 sec. until the laser beam blinks five times as confirmation.

NOTE

The tool will be switched off when the on/off button is pressed or when the batteries are exhausted.

7.1.4 Inclined line function

Lock the pendulum.
The tool does not level itself automatically.
The laser beam(s) blink(s) every two seconds.

7.1.5 Using the tool with the PMA 31 laser receiver

For further information, please refer to the PMA 31 operating instructions.

7.2 Examples of applications

NOTE

The adjustable feet make it possible to pre-level the tool approximately on a very unlevel substrate.

7.2.1 Transferring heights 3

7.2.2 Setting out drywall track for a partition wall 4 5

7.2.3 Aligning pipes vertically 6

7.2.4 Aligning radiators 7

7.2.5 Aligning door and window frames 8

7.3 Checking

7.3.1 Checking the plumb point 9

- Make a mark on the floor (a cross) in a high room (e.g. in a stairwell or hallway with a height of 5–10 m).
- Place the tool on an even, level surface.
- Unlock the pendulum and switch on the tool.
- Position the tool with the lower beam on the center of the cross.
- Mark the top point of intersection of the laser lines on the ceiling. Attach a piece of paper to the ceiling before making the mark.
- Pivot the tool through 90°.

NOTE The lower plumb beam must remain on the center of the cross.
- Mark the top point of intersection of the laser lines on the ceiling.
- Repeat the procedure after pivoting the tool through 180° and 270°.

NOTE The resulting 4 marks form a circle in which the intersection of the diagonals d1 (1-3) and d2 (2-4) marks the exact center of the plumb point.
- Calculate the accuracy as described in section 7.3.1.1.

7.3.1.1 Calculation of accuracy

$$R = \frac{10}{RH [m]} \times \frac{(d1 + d2) [mm]}{4} \quad (1)$$

$$R = \frac{30}{RH [ft]} \times \frac{(d1 + d2) [inch]}{4} \quad (2)$$

The result (R) provided by this formula (RH = room height) refers to the tool's accuracy "in mm at 10 m" (formula (1)). This result (R) should be within the specification for the tool (2 mm at 10 m).

7.3.2 Checking the leveling of the horizontal laser beam

1. Place the tool on an even, level surface approx. 20 cm from the wall (A) with the laser beam directed toward the wall (A).
2. Mark the point of intersection of the laser lines on the wall (A) with a cross (1).
3. Pivot the whole tool through 180° without using the rotatable housing and mark the point of intersection of the laser lines with a cross (2) on the wall opposite (B).
4. Place the tool on an even, level surface approx. 20 cm from the wall (B) with the laser beam directed toward the wall (B).
5. Mark the point of intersection of the laser lines on the wall (B) with a cross (3).
6. Pivot the whole tool through 180° without using the rotatable housing and mark the point of intersection of the laser lines with a cross (4) on the wall opposite (A).
7. Measure the distances d1 between (1) and (4) and d2 between (2) and (3).
8. Mark the mid points of d1 and d2.
If the reference points 1 and 3 are located on different sides of the mid point, then subtract d2 from d1.
If the reference points 1 and 3 are located on the same side of the mid point, then add d1 and d2 together.
9. Divide the result by twice the length of the room (room length x 2).
The maximum permissible error is 2 mm.

7.3.3 Checking perpendicularity (horizontal)

1. Position the tool with the lower plumb beam on the center of a reference cross in the middle of a room at a distance of approx. 5 meters from the walls so that the center of the front vertical laser line lies exactly on the vertical line of the first target plate (a).
2. Attach a second target plate or sheet of paper (b) to the wall at the half-way position (as shown in the illustration). Mark the right-hand point of intersection of the laser lines (d1).
3. Pivot the tool clockwise through exactly 90° (as seen from above). The reference point must remain in the center of the reference cross and the left-hand point of intersection of the laser lines must lie exactly on the vertical line of the target plate (a).
4. Mark the right-hand point of intersection of the laser lines (d2) on the target plate (c).
5. Then mark the center point (d3) of the front point of intersection of the laser lines on the target plate (b).
NOTE The horizontal distance between d1 and d3 must be no greater than 2 mm at a working distance of 5 m.
6. Pivot the tool clockwise through exactly 180° (as seen from above). The reference point must remain in the center of the reference cross and the right-hand point of intersection of the laser lines must lie exactly on the vertical line of the first target plate (a).

7. Then mark the left-hand point of intersection of the laser lines (d4) on the target plate (c).

NOTE The horizontal distance between d2 and d4 must be no greater than 2 mm at a working distance of 5 m.

NOTE If d3 is to the right of d1, the sum of the horizontal distances d1-d3 and d2-d4 must be no greater than 2 mm at a working distance of 5 m.

NOTE If d3 is to the left of d1, the difference between the horizontal distances d1-d3 and d2-d4 must be no greater than 2 mm at a working distance of 5 m.

7.3.4 Checking the accuracy of the horizontal line

1. Place the tool at the edge of a room with a length of at least 10 m.
NOTE The floor surface must be even and level.
2. Switch on all laser beams.
3. Set up a target plate at a distance of at least 10 m from the tool, so that the front point of intersection of the laser lines lies in the center of the target plate (d0) and the vertical line on the target plate runs exactly through the middle of the vertical laser line.
4. Mark the mid point of the lower plumb beam on the floor (reference cross).
5. Pivot the whole tool clockwise through 45° (as seen from above) without using the rotatable housing. The reference point must remain on the center of the reference cross.
6. Then mark the point (d1) on the target plate where the horizontal laser line strikes the vertical line on the target plate.
7. Pivot the whole tool anti-clockwise through 90° (as seen from above) without using the rotatable housing. The reference point must remain on the center of the reference cross.
8. Then mark the point (d2) on the target plate where the horizontal laser line strikes the vertical line on the target plate.
9. Measure the following vertical distances: d0-d1, d0-d2 and d1-d2.
NOTE The greatest measured vertical distance must be no more than 4 mm at a working distance of 10 m.

7.3.5 Checking the vertical lines

1. Position the tool at a height of 2 meters.
2. Switch the tool on.
3. Position the first target plate T1 (vertical) at a distance of 2.5 meters from the tool at the same height (2 meters), so that the vertical laser beam strikes the plate. Mark this position.
4. Then place the second target plate T2 at a position 2 meters below the first target plate, so that the vertical laser beam strikes the plate. Mark this position.
5. Mark position 2 at the opposite side of the test setup (mirror image) on the laser line on the floor at a distance of 5 meters from the tool.

en

6. Now place the tool on the floor on the mark for position 2 which you have just made. Direct the laser beam toward the target plates T1 and T2 so that it strikes the plates close to their center lines.
7. Read the distances D1 and D2 from each target plate (distance of the laser line from the center of the target plate) and calculate the difference ($D = D1 - D2$).
NOTE Take care to ensure that the target plates are parallel to each other and that they are in the same vertical plane. (Horizontal alignment may result in measurement error).
 If the difference D is greater than 2 mm, the tool must be returned to a Hilti repair center for adjustment.

8 Care and maintenance

8.1 Cleaning and drying

1. Blow dust off the glass.
2. Do not touch the glass with the fingers.
3. Use only a clean, soft cloth for cleaning. If necessary, moisten the cloth slightly with pure alcohol or a little water.
NOTE Do not use any other liquids as these may damage the plastic components.
4. Observe the temperature limits when storing your equipment. This is particularly important in winter / summer if the equipment is kept inside a motor vehicle (-25°C to +60°C).

8.2 Storage

Remove the appliance from its case if it has become wet. The tool, its carrying case and accessories should be cleaned and dried (at maximum 63°C / F). Repack the equipment only once it has dried completely and then store it in a dry place.

Check the accuracy of the equipment before it is used after a long period of storage or transportation.

Remove the batteries from the appliance before storing it for a long period. Leaking batteries may damage the appliance.

8.3 Transport

Use the Hilti toolbox or packaging of equivalent quality for transporting or shipping your equipment.

CAUTION

Always remove the batteries before shipping the tool.

8.4 Hilti calibration service

We recommend that the tool is checked by the Hilti calibration service at regular intervals in order to verify its reliability in accordance with standards and legal requirements.

Use can be made of the Hilti calibration service at any time, but checking at least once a year is recommended. The calibration service provides confirmation that the tool is in conformance, on the day it is tested, with the specifications given in the operating instructions.

The tool will be readjusted if deviations from the manufacturer's specification are found. After checking and adjustment, a calibration sticker applied to the tool and a calibration certificate provide written verification that the tool operates in accordance with the manufacturer's specification.

Calibration certificates are always required by companies certified according to ISO 900x.

Your local Hilti Center or representative will be pleased to provide further information.

9 Troubleshooting

Fault	Possible cause	Remedy
The tool cannot be switched on.	The battery is exhausted.	Replace the battery.
	The battery is inserted the wrong way round (incorrect polarity).	Insert the battery correctly.
	The battery compartment is not closed.	Close the battery compartment.
	The tool or the on/off button is faulty.	If necessary, the power tool should be repaired by Hilti Service.
Individual laser beams don't function.	The laser source or laser control unit is faulty.	If necessary, have the power tool repaired by Hilti Service.
The tool can be switched on but no laser beam is visible.	The laser source or laser control unit is faulty.	If necessary, have the power tool repaired by Hilti Service.
	The temperature is too high or too low.	Allow the tool to cool down or warm up.

Fault	Possible cause	Remedy
Automatic leveling doesn't function.	The tool is set up on an excessively inclined surface.	Set up the tool on the level.
	The tilt sensor is faulty.	If necessary, have the power tool repaired by Hilti Service.

en

10 Disposal

WARNING

Improper disposal of the equipment may have serious consequences:

The burning of plastic components generates toxic fumes which may present a health hazard.

Batteries may explode if damaged or exposed to very high temperatures, causing poisoning, burns, acid burns or environmental pollution.

Careless disposal may permit unauthorized and improper use of the equipment. This may result in serious personal injury, injury to third parties and pollution of the environment.



Most of the materials from which Hilti tools or appliances are manufactured can be recycled. The materials must be correctly separated before they can be recycled. In many countries, Hilti has already made arrangements for taking back old tools and appliances for recycling. Ask Hilti customer service or your Hilti representative for further information.



For EC countries only

Do not dispose of electrical appliances together with household waste.

In observance of the European Directive on waste electrical and electronic equipment and its implementation in accordance with national law, electrical appliances that have reached the end of their life must be collected separately and returned to an environmentally compatible recycling facility.



Dispose of the batteries in accordance with national regulations.

11 Manufacturer's warranty - tools

Hilti warrants that the tool supplied is free of defects in material and workmanship. This warranty is valid so long as the tool is operated and handled correctly, cleaned and serviced properly and in accordance with the Hilti Operating Instructions, and the technical system is maintained. This means that only original Hilti consumables, components and spare parts may be used in the tool.

This warranty provides the free-of-charge repair or replacement of defective parts only over the entire lifespan of the tool. Parts requiring repair or replacement as a result of normal wear and tear are not covered by this warranty.

Additional claims are excluded, unless stringent national rules prohibit such exclusion. In particular, Hilti is not obligated for direct, indirect, incidental or consequential damages, losses or expenses in connection with, or by reason of, the use of, or inability to use the tool for any purpose. Implied warranties of merchantability or fitness for a particular purpose are specifically excluded.

For repair or replacement, send the tool or related parts immediately upon discovery of the defect to the address of the local Hilti marketing organization provided.

This constitutes Hilti's entire obligation with regard to warranty and supersedes all prior or contemporaneous comments and oral or written agreements concerning warranties.

オリジナル取扱説明書

PM 4-M マルチラインレーザー

ja

ご使用前にこの取扱説明書を必ずお読みください。

この取扱説明書は必ず本体と一緒に保管してください。

他の人が使用する場合には、本体と取扱説明書と一緒にお渡しください。

目次	頁
1 一般的な注意	10
2 製品の説明	11
3 アクセサリー	12
4 製品仕様	12
5 安全上の注意	13
6 ご使用前に	14
7 ご使用方法	15
8 手入れと保守	17
9 故障かな? と思った時	17
10 廃棄	18
11 本体に関するメーカー保証	18

❶ この数字は該当図を示しています。図は二つ折りの表紙の中にあります。取扱説明書をお読みの際は、これらのページを開いてください。
この取扱説明書で「本体」と呼ばれる工具は、常にPM 4-M マルチラインレーザーを指しています。

各部名称、操作部 / 表示部名称 ❶

- ① LED 付き ON/OFF ボタン
- ② 振り子のロックメカニズム用押しボタン
- ③ レーザー照射窓
- ④ 回転プラットフォームの微調整
- ⑤ 調節式脚部
- ⑥ 水準器
- ⑦ 電池収納部

1 一般的な注意

1.1 安全に関する表示とその意味

危険

この表記は、重傷あるいは死亡事故につながる危険性がある場合に注意を促すために使われます。

警告事項

この表記は、重傷あるいは死亡事故につながる可能性がある場合に注意を促すために使われます。

注意

この表記は、軽傷あるいは所持物の損傷が発生する可能性がある場合に使われます。

注意事項

この表記は、本製品を効率良く取り扱うための注意事項や役に立つ情報を示す場合に使われます。

1.2 記号の説明と注意事項

警告表示



一般警告
事項

略号



ご使用前
に取扱説明
書をお読み
ください



本体とバッ
テリーは一
般ごみと一
緒に廃棄し
ないでくだ
さい。

本体に関して



身体をレーザー光線にさらさないでください。
CFR 21 § 1040 (FDA) に準拠したレーザーに関する警告情報 (米国の場合)。

本体に関して



レーザー 照射レーザーを覗き込まないでください。
レーザークラス 2
IEC60825 / EN60825-1:2007 に準拠したレーザーに関する警告情報

機種名・製造番号の表示箇所

機種名および製造番号は本体の銘板に表示されています。当データを御自身の取扱説明書にメモ書きしておき、お問い合わせなどの必要な場合に引用してください。

機種名：

製品世代：01

製造番号：

ja

2 製品の説明

2.1 正しい使用

PM 4-M は自動整準機能付きのマルチラインレーザーで、直角の写し、水平位置合わせ、および正確な墨出しを一人で行うことができます。本体には、3つのラインビーム（1つの水平ラインビームと2つの鉛直ラインビーム）、1つの下方基準ポイント、および4つのビーム交点（前方、上方、左および右）があり、有効照射距離は約10mです。照射距離は、周囲の明るさにより異なります。

本体は室内での使用を想定して設計されており、回転レーザーの代用として使用することはできません。

屋外で本体を使用する場合は、周囲条件を室内と同じにしてください。用途：

間仕切り壁位置の墨出し（矩および立ち）。

矩手のチェックと写し。

機器や設備の位置決め。

地墨の天井への写し。

レーザーラインは個別に（鉛直レーザーラインのみ、あるいは水平レーザーラインのみ）にオンにすることも、一緒にオンにすることもできます。傾斜角のある状態で使用する場合には、自動整準用の振り子がロックされます。

取扱説明書に記述されている使用、手入れ、保守に関する事項に留意してご使用ください。

本体の加工や改造は許されません。

けがの可能性を防ぐため、必ずヒルティ純正のアクセサリや先端工具のみを使用してください。

本体および付属品の、未訓練業者による誤使用、あるいは規定外使用は危険です。

2.2 特徴

PM 4-M は全ての方向に約4°以内で自動整準します。これで十分でない場合には、調節式脚部と水準器により本体を水平にすることができます。

自動整準はわずか3秒ほどで行われます。

自動整準の範囲を超える場合、マルチラインレーザーは「整準範囲外」の警告信号を発します（レーザービームが点滅）。

PM 4-M は操作が簡単で分かりやすく、耐久性に優れたプラスチックハウジングで保護されています。

本体は PMA 31 レーザーレシーバーと組み合わせてご使用できます。

標準モードのときに本体が何も操作されなくて1時間が経過すると、本体は自動的にオフになります。連続動作モードに切り換えるには ON/OFF ボタンを4秒間押します。

2.3 マルチラインレーザーの構成（本体ケース内）

- 1 マルチラインレーザー
- 1 三脚アダプター
- 4 電池
- 1 取扱説明書
- 1 製造証明書

2.4 作動モードの表示

LED	LED が点灯しない。	本体がオフになっています。
	LED が点灯しない。	電池残量がありません。
	LED が点灯しない。	電池が間違っってセットされています。
	LED が連続点灯。	レーザービームがオンになっています。本体が作動中です。
	LED が 10 秒毎に 2 回 (振り子がロックされていない場合)、または 2 秒毎に 2 回 (振り子がロックされている場合) 点滅する。	電池残量が少なくなっています。
	LED が点滅。	電源がオフになっていますが、振り子がロックされていません。
レーザービーム	レーザービームが 10 秒毎に 2 回 (振り子がロックされていない場合)、または 2 秒毎に 2 回 (振り子がロックされている場合) 点滅する。	電池残量が少なくなっています。
	レーザービームが 5 回点滅した後点灯し続ける。	自動オフが非作動にされています。
	レーザービームが早く点滅する。	本体が自動整準されません (自動整準範囲外です)。
	レーザービームが 2 秒毎に点滅する。	傾斜ラインモードです。振り子はロックされているのでラインビームは整準されません。

3 アクセサリー

名称	略号	製品の説明
三脚	PMA 20	
ターゲット板	PMA 54/55	
ターゲット板	PRA 50/51	
レーザーレシーバー	PMA 31	
ヒルティ本体ケース		
レーザーグラス	PUA 60	レーザーグラスはレーザー照射から目を守る保護メガネではありません。見える色が制限されますので、このメガネをかけたまま自動車の運転をしないでください。本機の作業にのみ使用してください。

4 製品仕様

技術データは予告なく変更されることがあります。

ラインビームおよび交点ビームの有効照射距離	レーザーレシーバーなし : 10 m レーザーレシーバー使用 : 50 m
測定精度 ¹	10 m 当たり ± 2 mm
自動整準時間	3 s

¹ 激しい温度変動、湿度、衝撃、転倒などが精度に影響を及ぼす可能性があります。特に指示のない場合には、本体は標準環境条件 (MIL-STD-810F) において調整または校正されています。

レーザークラス	クラス 2、可視、635 nm、±10 nm (EN 60825-3:2007 / IEC 60825 - 3:2007)、クラス II (CFR 21 §1040 (FDA))
ライン厚	距離 5 m: < 2 mm
自動整準範囲	±4° (標準)
自動オフ	作動までの時間: 1 h
動作状態表示	LED とレーザービーム
電源	単 3 アルカリ乾電池、アルカリ乾電池: 4
連続動作時間 (全ラインビームオン)	アルカリ電池 2,500 mAh、温度 +24°C: 7 h (標準)
動作温度	Min. -10°C / Max. +50°C
保管温度	Min. -25°C / Max. +63°C
防塵、防滴構造 (電池収納部を除く)	IP 54 (IEC 60529 準拠)
三脚取付ネジ (三脚アダプター)	BSW 5/8 インチUNC1/4"
重量	バッテリーを含む: 990 g
外形寸法	124 x 124 x 187 mm

¹ 激しい温度変動、湿度、衝撃、転倒などが精度に影響を及ぼす可能性があります。特に指示のない場合には、本体は標準環境条件 (MIL-STD-810F) において調整または校正されています。

ja

5 安全上の注意

警告事項: 安全上の注意と取扱いに関する指示をすべてお読みください。これらを守らないと、感電、火災および/または重傷事故の危険があります。安全上の注意と取扱いに関する指示はすべて保管し、いつでも確認できるようにしておいてください。

5.1 一般的な安全対策

- 本体を使用する前には必ず精度を点検してください。
- 本体および付属品の、使用法を知らない者による誤使用、あるいは規定外使用は危険です。
- けがの可能性を防ぐため、ヒルティ純正の付属品、アクセサリのみを使用してください。
- 本体を使用の際は、油断せずに十分注意し、常識をもった作業をおこなってください。疲れている場合、薬物、医薬品服用およびアルコール飲用による影響下にある場合には本体を使用しないでください。本体使用中の一瞬の不注意が重傷の原因となることがあります。
- 本体の加工や改造は許されません。
- 取扱説明書に記述されている使用、手入れ、保守に関する事項に留意してご使用ください。
- 安全機構を無効にしたり、注意事項や警告事項のステッカーをはがしたりしないでください。
- 本体の使用中は子供や無関係者を作業場へ近づけないでください。
- 周囲状況を考慮してください。本体を雨、雪にさらさないでください。また本体が湿った状態あるいは濡れた状態で使用しないでください。火災や爆発の恐れがあるような状況では、本体を使用しないでください。
- 本体のお手入れは慎重におこなってください。本体の可動部分が引っ掛かりなく正常に作動しているか、本体の運転に影響を及ぼす各部分が破損・損

傷していないかを確認してください。本体を再度ご使用になる前に、損傷部分の修理を依頼してください。事故の多くは、保守管理の不十分な本体を使用したことが原因で発生しています。

- 本体のお手入れは慎重におこなってください。本体の可動部分が引っ掛かりなく正常に作動しているか、本体の運転に影響を及ぼす各部分が破損・損傷していないかを確認してください。本体を再度ご使用になる前に、損傷部分の修理を依頼してください。事故の多くは、保守管理の不十分な本体を使用したことが原因で発生しています。
- 電動工具の修理は必ず認定サービスセンターにお申し付けください。また、必ず純正部品を使用してください。これにより電動工具の安全性が確実に維持されます。
- もし本体が落下やその他の機械的な圧力を受けた場合は、本体の作動と精度をチェックしてください。
- 極度に低温の場所から高温の場所に移す場合、あるいはその逆の場合は、本体温度が周囲温度と同じになるまで待ってから使用してください。
- アダプターおよびアクセサリを使用するときは、本体がしっかりと固定されていることを確認してください。
- 不正確な測定を避けるために、レーザー光線の照射窓は常にきれいにしておいてください。
- 本体は現場仕様に設計されていますが、他の光学および電子機器 (双眼鏡、眼鏡、カメラなど) と同様、取り扱いには注意してください。
- 本体は防湿になっていますが、本体ケースに入れる前に必ず水気を拭き取り、乾いた状態で保管してください。
- 使用中に測定精度を何度か点検してください。

5.2 作業場の安全確保

- 測定場所の安全を確保し、本体を設置するときは、レーザー光線が他人や自分に向いていないことを確かめてください。
- 梯子や足場の上で作業を行うときは、不安定な態勢にならないように注意してください。足元を確かにし、常にバランスを保ちながら作業してください。
- ガラスや透明な物質を通して測った場合は、正確な値が得られない可能性があります。
- 本体は振動のないしっかりとした土台の上に据え付けてください。
- 本体は必ず決められた使用制限内で使用してください。
- 作業場で複数のレーザーを使用している場合は、ご自分の使用している本体に対するレーザービームを他のレーザービームと取り違えないように注意してください。
- 磁石は照射精度に影響を及ぼすことが考えられますので、付近に磁石がないようにしてください。ヒルティユニバーサルアダプターが照射精度に影響を及ぼすことはありません。
- レーザーレシーバーを使用する際の作業の際は、レーザービームに対してレーザーレシーバーを厳密に垂直に保持してください。
- 本体を医療機器の近くで使用してはなりません。

5.3 電磁波適合性

注意事項

韓国のみ：この機器は、住宅区域で発生する電磁波に適したものです（クラス B）。基本的に住宅区域での使用を想定していますが、他の区域で使用することも可能です。

本体は厳しい規則に適合するように設計されていますが、強い電磁波の照射により障害を受けて、機能異常が発生する恐れがあります。以上のような状況下で測定を行う場合は、読取り値が惑わされていないかチェックしてください。また他の装置（航空機の航法システムなど）に影響を及ぼす可能性もあります。

5.4 レーザークラス 2 / クラス II の本体のレーザー分類

本体は IEC 60825-3:2007 / EN 60825-3:2007 に準拠するレーザークラス 2 および CFR 21 § 1040 (FDA) に準拠するクラス II に準じています。本体の使用にあたっては特別な保護装置は必要ありません。万が一レーザー光線を少しでも覗き込んでしまった場合、まぶたが反射的に閉じることにより目を保護します。この反射動作は、薬、アルコール、薬品によって影響を受けますのでご注意ください。さらに、太陽光線と同様、光源を直接覗き込むようなことは避けてください。レーザービームを他の人に向けないでください。

5.5 電気的な危険



- 搬送時は、絶縁して電池を取り外してください。
- 環境汚染を防止するために、本体は各国の該当基準にしたがって廃棄してください。ご不明な点はメーカーへお問い合わせください。
- 電池は子供の手の届かないところに置いてください。
- 電池を加熱したり、火気にさらさないでください。電池が破裂するか、あるいは有毒物質を発生する恐れがあります。
- 電池を充電しないでください。
- 電池を本体にはんだ付けしないでください。
- 電池の接点をショートさせないでください。過熱して液もれを起こすことがあります。
- 電池を分解したり、過度に機械的な力を加えたりしないでください。
- 損傷した電池は使用しないでください。
- 古い電池と新しい電池を混ぜないでください。メーカーの違う電池や種類の違う電池を混ぜないでください。

5.6 バッテリー液

バッテリー / バッテリーパックの使用が正しくないと、液漏れが発生することがあります。その場合、漏れた液には触れないでください。もしも触れてしまった場合は、水で洗い流してください。液体が眼に入った場合は、水で洗い流してから医師の診察を受けてください。流出したバッテリー液により、皮膚が刺激を受けたり火傷を負う恐れがあります。

6 ご使用前に



6.1 電池の挿入

危険

必ず新品の電池を使用してください。

- 電池収納部を開きます。
- パッケージから電池を取り出し、直接本体に挿入します。
注意事項 本体には必ずヒルティ純正の電池を使用してください。
- 本体の下側に記載された注意事項に従って、プラスとマイナスが正しく合っているかをチェックしてください。

4. 電池収納部を閉じます。電池収納部が正しくロックされていることを確認してください。

7 ご使用方法



注意事項

精度を最高レベルまで高めるには、ラインビームを鉛直で平坦な面上に照射します。その際は本体を平面に対して 90° になるように合わせます。

7.1 ご使用方法

7.1.1 レーザービームをオンにする

1. 振り子をロック解除します。
2. 希望のモードが設定されるまで、ON/OFF ボタンを 1 回あるいは数回押します。
注意事項 ON/OFF ボタンを 5 秒以内に押すと、その都度本体のモードは下記の順序で交互に切り替わります。
 鉛直レーザーライン
 水平レーザーライン
 鉛直および水平レーザーライン

7.1.2 本体 / レーザービームをオフにする

レーザービームがオフになり LED が消灯するまで ON/OFF ボタンを押します。

注意事項

- ON/OFF ボタンが 5 秒以上操作されていなかった場合、本体をオフにすることができます。
- 本体を操作せず約 1 時間が経過すると、自動的に電源オフになります。

7.1.3 自動オフを非作動にする

レーザービームが 5 回点滅するまで ON/OFF ボタンを押し続けます (約 4 秒)。

注意事項

ON/OFF ボタンを押すか、あるいは電池残量がなくなると本体の電源はオフになります。

7.1.4 傾斜ライン機能

振り子をロックします。
 本体は整準されません。
 レーザービームは 2 秒周期で点滅します。

7.1.5 PMA 31 レーザーレシーバーとの併用

詳しい情報は PMA 31 の取扱説明書を参照してください。

7.2 作業例

注意事項

設置面の凹凸が激しい場合には、調節式脚部により予め本体をおおまかに調整することができます。

7.2.1 高さの写し ③

7.2.2 間仕切り用ランナーの設置 ④ ⑤

7.2.3 配管の鉛直方向の位置決め ⑥

7.2.4 ヒーターエレメントの位置決め ⑦

7.2.5 ドアおよび窓フレームの位置決め ⑧

7.3 点検

7.3.1 鉛直ポイントのチェック ⑨

1. 高さ 5 ... 10 m の空間 (吹抜けのある室内など) の床面に十字マークを付けます。
2. 本体を水平な面に設置します。
3. 振り子をロック解除して本体の電源をオンにします。
4. 本体の地墨ポイントビームを十字マークの中心に合わせます。
5. レーザーラインの上側の交点を天井にケガキます。あらかじめ天井に紙を一枚貼り付けておいてください。
6. 本体を 90° 回します。
注意事項 地墨ポイントビームを十字マークの中心に合わせてください。
7. レーザーラインの上側の交点を天井にケガキます。
8. この作業を、180° と 270° の角度で繰り返します。
注意事項 上記の結果マークした 4 つの点の対角線 d1 (1-3) と d2 (2-4) の交点は正確な鉛直ポイントを示します。
9. 章 7.3.1.1 にしたがって照射精度を計算してください。

7.3.1.1 照射精度の計算

$$R = \frac{10}{RH [m]} \times \frac{(d1 + d2) [mm]}{4} \quad (1)$$

$$R = \frac{30}{RH [ft]} \times \frac{(d1 + d2) [inch]}{4} \quad (2)$$

この計算式 (RH = 部屋の高さ) による結果 (R) は「10 m 当たりの照射精度 (mm)」を示します (計算式 (1))。計算結果 (R) は、本体の製品仕様の範囲内にならなければなりません (10 m 当たり 2 mm 以内)。

ja

7.3.2 水平レーザービームの整準のチェック 10

1. 本体を水平面に、部屋の一方の壁 (A) から約 20 cm 離して置きます。レーザービームを壁 (A) に照射します。
2. レーザービームの交点を壁 (A) に十字マーク (1) でケガきます。
3. 回転式ハウジングを使用しないで本体全体を 180° 回し、レーザービームの交点を反対側の壁 (B) に十字マーク (2) でケガきます。
4. 本体を水平面に、壁 (B) から約 20 cm 離して置きます。レーザービームを壁 (B) に照射します。
5. レーザービームの交点を壁 (B) に十字マーク (3) でケガきます。
6. 回転式ハウジングを使用しないで本体全体を 180° 回し、レーザービームの交点を反対側の壁 (A) に十字マーク (4) でケガきます。
7. (1) と (4) 間の距離 d1、および (2) と (3) 間の距離 d2 を測定します。
8. d1 と d2 の中点をケガきます。
基準ポイント 1 と 3 が中点の異なる側にある場合、d1 から d2 を引きます。
基準ポイント 1 と 3 が中点の同じ側にある場合、d1 と d2 を加えます。
9. その計算結果を部屋の長さの 2 倍の値で割ります。最大許容誤差は 2 mm です。

7.3.3 直角度 (水平) のチェック 11 12 13

1. 壁面から約 5 m 離れた空間中央部で地墨ポイントを基準点の中心に合わせて本体を設置し、最初のターゲット板 a の鉛直ラインが鉛直レーザーラインの中心に正確に当たるようにします。
2. 次のターゲット板 b または厚紙をおよそ中央に固定します。レーザーラインの右側の交点 (d1) をケガきます。
3. 本体を、上から見て正確に時計回りに 90° 回します。基準ポイントを基準十字の中心に合わせ、レーザーラインの左側の交点がターゲット板 a の鉛直ラインに正確に当たるようにします。
4. レーザーラインの右側の交点 (d2) をターゲット板 c にケガきます。
5. 続いてレーザーラインの前方の交点の中点 (d3) をターゲット板 b にケガきます。
注意事項d1 と d3 間の水平距離の許容値は、測定距離 5 m で 2 mm 以下です。
6. 本体を、上から見て正確に時計回りに 180° 回します。基準ポイントを基準十字の中心に合わせ、レーザーラインの右側の交点が最初のターゲット板 a の鉛直ラインに正確に当たるようにします。
7. 続いてレーザーラインの左側の交点 (d4) をターゲット板 c にケガきます。
注意事項d2 と d4 間の水平距離の許容値は、測定距離 5 m で 2 mm 以下です。
注意事項d3 が d1 の右にある場合、水平距離 d1-d3 と d2-d4 の合計は、測定距離が 5 m の場合最大で 2 mm まで許容されます。
注意事項d3 が d1 の左にある場合、水平距離 d1-d3 と d2-d4 間の差は、測定距離が 5 m の場合最大で 2 mm まで許容されます。

7.3.4 水平ラインの照射精度のチェック 14 15

1. 本体を、長さが 10 m 以上の室内の端部に設置します。
注意事項床面は凹凸がなく水平でなければなりません。
2. 全てのレーザービームをオンにします。
3. ターゲット板を本体から最低 10 m 離して固定し、レーザーラインの前方の交点がターゲット板の中心 (d0) に来るようにし、ターゲット板の鉛直ラインに鉛直レーザービームの中心を正確に合わせます。
4. 床に地墨ポイントビームの中点を基準十字マークでケガきます。
5. 回転式ハウジングを使用しないで本体全体を上から見て時計回りに 45° 回します。基準ポイントは基準十字マークの中心に留まらなければなりません。
6. 水平レーザーラインがターゲット板の鉛直ラインと交わる点 (d1) をターゲット板上にケガきます。
7. 回転式ハウジングを使用しないで本体全体を反時計回りに 90° 回します。基準ポイントは基準十字マークの中心に留まらなければなりません。
8. 水平レーザーラインがターゲット板の鉛直ラインと交わる点 (d2) をターゲット板上にケガきます。
9. 以下の鉛直距離を測定します : d0-d1、d0-d2、d1-d2。
注意事項鉛直距離の最大許容値は、測定距離 10 m で 4 mm 以下です。

7.3.5 鉛直ラインのチェック 16

1. 本体を 2 m の高さのところに設置します。
2. 本体のスイッチをオンにします。
3. 本体から 2.5 m 離れた同じ高さ (2 m) の位置に最初のターゲット板 T1 (鉛直) を置いて鉛直レーザービームがターゲット板に当たるようにし、この位置にケガきます。
4. 続いて 2 枚目のターゲット板 T2 を最初のターゲット板の 2 m 下方に置いて鉛直レーザービームがターゲット板に当たるようにし、この位置にケガきます。
5. 試験構造部に対して反対側 (鏡像) にあたる位置 2 を、床面上のレーザーラインの本体から 5 m 離れた位置にケガきます。
6. 続いて本体を今ケガいた床面上の位置 2 に設置します。レーザービームとターゲット板 T1 および T2 との位置を調整し、ビームがターゲット板の中心線近くに当たるようにします。
7. 各ターゲット板の間隔 D1 および D2 を確認し、差 (D = D1 - D2) を求めます。
注意事項ターゲット板は互いに平行位置にあり同一の立ちにあることを確認してください (水平精度は測定エラーの原因となることがあります)。差 D が 2 mm を超える場合、本体をヒルティサーピスセンターで調整する必要があります。

8 手入れと保守

8.1 清掃および乾燥

1. レンズの埃は吹き飛ばしてください。
2. 指でガラス部分に触れないでください。
3. 必ず汚れていない柔らかい布で清掃してください。必要に応じてアルコールまたは少量の水で湿してください。
注意事項プラスチック部分をいためる可能性がありますので、他の液体は使用しないでください。
4. 本体を保管する場合は、保管温度を確認してください。特に車内に保管する場合、冬や夏の本体温度に注意してください（- 25 °C ~ + 60 °C）。

8.2 保管

本体が濡れた場合はケースに入れしないでください。本体、本体ケース、アクセサリーを清掃し、乾燥させる必要があります（最高 63 °C）。本体は完全に乾燥した状態で本体ケースに収納し、乾燥した場所で保管してください。

長期間保管した後や搬送後は、使用前に本体の精度をチェックしてください。

本体を長期間使用しない時は、電池を抜き取ってください。電池から流れ出た液体で、本体に損傷を与える可能性があります。

8.3 搬送

搬送や出荷の際は、本体をヒルティの本体ケースか同等の質のものに入れてください。

注意

搬送時は必ず電池 / バッテリーパックを抜き取ってください。

8.4 ヒルティ校正サービス

各種の規則に従った信頼性を保証するためには、本体の定期点検を第三者の校正機関に依頼されることをお勧めします。

ヒルティ校正サービスはいつでもご利用できますが、少なくとも年に一回のご利用をお勧めします。

ヒルティ校正サービスでは、本体が点検日の時点で、取扱説明書に記載されている製品仕様を満たしていることが証明されます。

本体が仕様範囲にない場合は、再調整します。調整と点検の終了後調整済みステッカーを貼って、本体がメーカー仕様を満たしていることを証明書に記載します。

校正証明書は ISO 900X を認証取得した企業には、必ず必要なものです。

詳しくは、弊社営業担当またはヒルティ代理店・販売店にご連絡ください。

ja

9 故障かな？ と思った時

症状	考えられる原因	処置
電源が入らない。	電池が空。	電池を交換する。
	電池の極性を間違っている。	電池を正しくセットする。
	電池収納部が閉まっていない。	電池収納部を閉じる。
	本体または ON/OFF ボタンが故障しています。	修理が必要な際は、弊社営業担当またはヒルティ代理店・販売店にご連絡ください。
各レーザービームが作動しない。	レーザー光源またはレーザー制御の故障。	ヒルティサービスセンターに修理を依頼する。
電源は入るが、レーザービームが出射されない。	レーザー光源またはレーザー制御の故障。	ヒルティサービスセンターに修理を依頼する。
	温度が高すぎる、または低すぎる	本体を冷ます、または暖める
自動整準が作動しない。	本体が傾いて設置されている。	本体を水平に設置する。
	傾斜センサーの故障。	ヒルティサービスセンターに修理を依頼する。

10 廃棄

警告事項

装備を誤った方法で廃棄すると、次のような危険があります：
プラスチック部品を燃やすと毒性のガスが発生し、人体に悪影響を及ぼすことがあります。
電池は損傷したりあるいは激しく加熱されると爆発し、毒害、火傷、腐食または環境汚染の危険があります。
廃棄について十分な注意を払わないと、権限のない者が装備を誤った方法で使用する可能性があります。このような場合、ご自身または第三者が重傷を負ったり環境を汚染する危険があります。

ja



本体の大部分の部品はリサイクル可能です。リサイクル前にそれぞれの部品は分別して回収されなければなりません。多くの国でヒルティは、本体や古い電動工具をリサイクルのために回収しています。詳細については弊社営業担当またはヒルティ代理店・販売店にお尋ねください。



EU 諸国のみ

本体を一般ゴミとして廃棄してはなりません。

古い電気および電子工具の廃棄に関するヨーロッパ基準と各国の法律に基づき、使用済みの電気工具は一般ゴミとは別にして、環境保護のためリサイクル規制部品として廃棄してください。



バッテリーは、各国の規制に従って廃棄してください。

11 本体に関するメーカー保証

ヒルティは提供した本体に材質的または、製造上欠陥がないことを保証します。この保証はヒルティ取扱説明書に従って本体の操作、取り扱いおよび清掃、保守が正しく行われていること、ならびに技術系統が維持されていることを条件とします。このことは、ヒルティ純正の、消耗品、付属品、修理部品のみを本体に使用することができることを意味します。

この保証で提供されるのは、本体のライフタイム期間内における欠陥部品の無償の修理サービスまたは部品交換に限られます。通常の摩耗の結果として必要となる修理、部品交換はこの保証の対象となりません。

上記以外の請求は、拘束力のある国内規則がかかる請求の排除を禁じている場合を除き一切排除されます。とりわけ、ヒルティは、本体の使用目的の如何に関わらず、使用した若しくは使用できなかったことに関して、またはそのことを理由として生じた直接的、間接的、付随的、結果的な損害、損失または費用について責任を負いません。市場適合性および目的への適合性についての保証は明確に排除されます。

修理または交換の際は、欠陥が判明した本体または関連部品を直ちに弊社営業担当またはヒルティ代理店・販売店宛てにお送りください。

以上が、保証に関するヒルティの全責任であり、保証に関するその他の説明、または口頭若しくは文書による取り決めは何ら効力を有しません。

PM 4-M 멀티라인 레이저

처음 이 제품을 사용하기 전에 본 사용설명서를 반드시 읽으십시오.

이 사용설명서는 항상 기기와 함께 보관하십시오.

기기를 다른 사람에게 양도할 때는 사용설명서도 반드시 함께 넘겨주십시오.

목차	쪽
1 일반 정보	19
2 설명	20
3 액세서리	21
4 기술자료	21
5 안전상의 주의사항	22
6 사용전 준비사항	23
7 작동법	23
8 관리와 유지보수	25
9 고장진단	26
10 폐기	26
11 기기 제조회사 보증	27

1 이러한 숫자들은 사용설명서를 보기 위해 펼치면 겹표지에 있는 숫자들로, 해당되는 그림들을 찾기 위해 참고하십시오. 텍스트에 대한 그림은 펼칠 수 있는 겹표지에서 찾을 수 있습니다. 사용설명서를 읽으실 때는 겹표지를 펼쳐 놓으십시오.

본 사용 설명서에서 "기기"란 항상 PM 4-M 멀티라인 레이저를 지칭합니다.

기기구성부품, 조작요소 및 표시요소 1

- ① ON/OFF LED 버튼
- ② 추의 로킹메커니즘용 회전노브
- ③ 레이저 배출구
- ④ 회전 플랫폼 미세 조정
- ⑤ 조절식 발
- ⑥ 원형 수준기
- ⑦ 배터리 함

ko

1 일반 정보

1.1 신호단어와 그 의미

위험

이 기호는 직접적인 위험을 표시합니다. 만약 지키지 않으면 심각한 부상을 당하거나 사망으로 이어질 수도 있습니다.

경고

이 기호는 특별히 중요한 안전상의 주의사항을 표시합니다. 만약 지키지 않으면 심각한 부상을 당하거나 사망할 수도 있습니다.

주의

이 기호는 특별히 중요한 안전상의 주의사항을 표시합니다. 만약 지키지 않으면, 심각한 부상 또는 물적 손실을 입을 수 있습니다.

지침

유용한 사용정보 및 적용 지침 참조용

1.2 그림의 설명과 그밖의 지침

경고 표시



일반적인 위험에 대한 경고

기호



사용하기 전에 사용설명서를 읽으십시오.



기기와 배터리를 일반 가정 쓰레기처럼 폐기해서는 안됩니다.

기기에서



빔에 노출되지 않도록 하십시오. CFR 21 § 1040 (FDA)에 근거한 미국용 레이저 경고 표시판.

기기에서



레이저 빔 빔을 직접 응시하지 마십시오. 레이저 등급 2

IEC60825 / EN60825-1:2007에 따른 레이저 경고 표시판

제품의 일련번호
기기명과 일련 번호는 기기의 형식 라벨에 적혀 있습니다. 이 자료를 귀하의 사용설명서에 기록해 놓은 다음, 해당 지사 또는 서비스 부서에 문의할 때,

사용설명서에 표기해 두신 기기명과 일련 번호를 사용해 주십시오.

모델: _____

세대: 01 _____

일련번호: _____

ko

2 설명

2.1 규정에 맞게 사용

PM 4-M은 한 명의 작업자만으로도 각도를 90°로 맞추며, 수평을 잡고, 각도 정렬 작업을 실시할 수 있도록 생산된 멀티라인 레이저입니다. 기기는 작업 가능거리가 약 10m인 3 개의 선(수평선 1개, 수직선 2개), 하나의 기준점(아래)과 4 개의 교차점(앞, 위, 좌측 및 우측)을 가지고 있습니다. 작업 가능거리는 주변의 밝기와 관계가 있습니다.

기기는 실내 사용에 적합하며 회전 레이저 대응으로는 적합하지 않습니다.

야외에서 사용 시 환경 조건이 실내 사용 조건과 상응하도록 유의해야 합니다. 가능한 용도는 다음과 같습니다.

칸막이 설치시 위치 표시 (직각 혹은 수직 평면에서)

직각도 점검 및 전송

장비 및 세 축을 지닌 구조물의 정렬 및 설치 작업

바닥에 표시된 점을 천장으로 전송

레이저 라인은 각각(수직만 또는 수평만) 또는 합쳐서 켤 수 있습니다. 경사 각의 사용을 위해 자동 레벨 조정 추가 블로킹됩니다.

사용설명서에 있는 작동, 관리 그리고 수리에 대한 정보에 유의하십시오.

기기를 변조하거나 개조해서는 절대로 안됩니다.

부상의 위험을 방지하기 위해, Hilti 순정품 액세서리와 공구만을 사용하십시오.

교육을 받지 않은 사람이 공구를 부적절하게 취급하거나 규정에 맞지 않게 사용할 경우, 기기와 그 관련 기기로 인해 부상을 당할 위험이 있습니다.

2.2 특징

PM 4-M은 자동 레벨 조정 범위가 모든 방향에서 약 4° 이내입니다. 만약 이 범위가 충분하지 않을 경우, 기기를 조절식 발 및 원형 수준기를 이용하여 수평으로 유지할 수 있습니다.

자동 레벨 조정 시간은 약 3초만이 소요됩니다.

자동 레벨 조정 범위를 초과할 때, 멀티라인 레이저는 "레벨 조정 범위를 벗어나서 수평 작업이 불가능함" 경고 신호가 출력합니다(레이저 빔이 깜박거림).

PM 4-M은 손쉬운 조작, 간편한 사용, 견고한 플라스틱 외장이 특징입니다.

기기는 레이저 리시버 PMA 31과 함께 사용할 수 있습니다.

기기는 일반 모드에서 1시간 후에 자동으로 꺼지며, ON/OFF 버튼을 4초 동안 길게 누르면 연속작동모드가 가능합니다.

2.3 멀티라인 레이저의 공급품 목록 (상자 타입)

- 1 멀티라인 레이저
- 1 삼각대 어댑터
- 4 배터리
- 1 사용설명서
- 1 제조원 증명서

2.4 작동 메시지

LED 지시등	LED 지시등이 점등되지 않음.	기기 전원이 꺼져 있음.
	LED 지시등이 점등되지 않음.	배터리가 방전되어 있음.
	LED 지시등이 점등되지 않음.	배터리의 극이 잘못 끼워져 있음.
	LED 지시등이 계속 점등됨.	레이저 빔의 스위치가 켜져 있음. 기기가 작동 중임.

LED 지시등	LED 지시등이 10초마다(추가 로크되지 않음) 및 2초마다(추가 로크됨) 2번씩 깜박거림.	배터리가 거의 방전됨.
	LED 지시등이 깜박거림.	기기가 꺼졌지만 추가 로크되지 않았음.
레이저 빔	레이저 빔이 10초마다(추가 로크되지 않음) 및 2초마다(추가 로크됨) 2번씩 깜박거림.	배터리가 거의 방전됨.
	레이저 빔이 5번씩 깜박거린 다음 지속적으로 깜박거림.	전원 스위치 자동 꺼짐 기능이 비활성화되었음.
	레이저 빔이 빠르게 깜박거림.	기기가 자동으로 레벨을 조정할 수 없음(자동 레벨 조정 범위 밖).
	레이저 빔이 2초마다 깜박임.	사선 작동 유형. 추가 로크되었음. 따라서 선이 수평을 이루지 않음.

ko

3 액세서리

명칭	표시	제품 설명
삼각대	PMA 20	
타겟 플레이트	PMA 54/55	
타겟 플레이트	PRA 50/51	
레이저 리시버	PMA 31	
Hilti 공구 박스		
레이저 안경	PUA 60	이것은 레이저에 대한 보호 안경이 아니며 레이저 빔으로부터 눈을 보호하는 것이 아닙니다. 레이저 안경은 색상에 대한 분별력을 제한하므로 운전 시 사용해서는 안되며, PM 4-M 작업 중에만 착용해야 합니다.

4 기술자료

기술적인 사양은 사전 통고없이 변경될 수 있음!

선 및 교차점의 작업 가능거리	레이저 리시버 미사용: 10 m 레이저 리시버 사용: 50 m
정확도 ¹	±2 mm ~ 10 m 사이
자동 수평 레벨링 시간	3 s
레이저 등급	2등급, 가시적, 635 nm, ±10 nm (EN 60825-3:2007 / IEC 60825 - 3:2007); class II (CFR 21 §1040 (FDA))
선 두께	거리 5 m: < 2 mm
자동 레벨 조정 범위	±4°(표준)
자동 전원 꺼짐 기능	활성화: 1 h
작동 상태 표시기	LED 및 레이저 빔
전원공급	AA 셀, 알칼리 망간전지: 4
배터리 수명(모든 라인 켜짐)	알칼리 망간전지 2,500 mAh, 온도 +24°C: 7 h (표준)
작동 온도	최소 -10°C / 최대 +50°C

¹ 특히 높은 온도 변화, 습기, 충격, 추락 등은 정확도에 영향을 미칠 수 있습니다. 다른 설명이 없을 경우, 본 기기는 표준 환경 조건 (MIL-STD-810F)에 따라 조정 및 보정되었습니다.

보관온도	최소 -25°C / 최대 +63°C
먼지와 수분에 대한 보호(배터리함 제외)	IEC 60529에 따른 IP 54
삼각대 고정용 나사(삼각대 어댑터)	BSW 5/8"UNC1/4"
무게	배터리 포함: 990 g
크기	124 x 124 x 187 mm

¹ 특히 높은 온도 변화, 습기, 충격, 추락 등은 정확도에 영향을 미칠 수 있습니다. 다른 설명이 없을 경우, 본 기기는 표준 환경 조건 (MIL-STD-810F)에 따라 조정 및 보정되었습니다.

ko

5 안전상의 주의사항

경고: 안전상의 주의사항과 지침을 읽으십시오. 안전상의 주의사항 및 지침을 준수하지 않을 경우, 전기 쇼크, 화재 또는 심각한 부상을 유발할 수 있습니다. 앞으로 모든 안전상 주의사항과 지침을 보관하십시오.

5.1 일반적인 안전 지침

- a) 기기를 사용/측정하기 전에 정확하지 점검하십시오.
- b) 교육을 받지 않은 사람이 기기를 부적절하게 취급하거나 규정에 맞지 않게 사용할 경우에는, 기기와 그 보조기구에 의해 부상을 당할 위험이 있습니다.
- c) 부상 위험을 방지하기 위해, Hilti 순정품 액세서리와 보조기기만을 사용하십시오.
- d) 신중하게 작업하십시오. 작업에 정신을 집중하고 기기를 사용할 때 부주의하게 행동하지 마십시오. 피로한 상태이거나 약물 복용 및 음주한 후에는 기기를 사용하지 마십시오. 기기를 사용할 때 잠시라도 조심하지 않으면 중상을 입을 수 있습니다.
- e) 기기를 변조하거나 개조해서는 절대로 안됩니다.
- f) 사용설명서에 있는 작동, 관리 및 유지보수에 대한 정보에 유의하십시오.
- g) 안전장치가 작동불능상태가 되지 않도록 하고, 지침 및 경고 스티커를 제거하지 마십시오.
- h) 기기를 사용할 때, 어린이나 다른 사람이 작업장에 접근하지 못하게 하십시오.
- i) 주위환경을 고려하십시오. 기기가 비 또는 눈을 맞지 않도록 해야 하며, 습기가 있거나 축축한 곳에서는 기기를 사용하지 마십시오. 화재 혹은 폭발의 위험이 있는 곳에서는 기기를 사용하지 마십시오.
- j) 기기를 유의해서 관리하십시오. 가동 부위가 완벽하게 작동하는지, 고착되어 있지 않은지, 혹은 기기의 기능에 중요한 영향을 미치는 부품이 파손되었거나 손상되지 않았는지를 확인하십시오. 손상되었을 경우, 기기를 사용하기 전에 손상된 부품을 수리하도록 하십시오. 제대로 관리되지 않은 기기는 사고를 유발합니다.
- k) 기기를 유의해서 관리하십시오. 가동 부위가 완벽하게 작동하는지, 고착되어 있지 않은지, 혹은 기기의 기능에 중요한 영향을 미치는 부품이 파손되었거나 손상되지 않았는지를 확인하십시오. 손상되었을 경우, 기기를 사용하기 전에 손상된 부품을 수리하도록 하십시오. 제대로 관리되지 않은 기기는 사고를 유발합니다.
- l) 전동공구는 반드시 자격을 갖춘 전문 기술자에 의해 그리고 순정 대체부품만을 이용하여 수리해야 합니다. 이렇게 하여 전동공구의 안전성을 계속해서 유지할 수 있습니다.

- m) 기기를 떨어 뜨렸거나 또는 기기가 다른 기계적인 영향을 받은 경우에는 기기의 정확성을 점검해야 합니다.
- n) 기기를, 매우 추운 장소로부터 따뜻한 장소로 옮겼거나 그 반대로 따뜻한 장소에서 추운 장소로 옮겼을 경우에는 기기를 사용하기 전에 새 환경에 적응되도록 해야 합니다.
- o) 어댑터 및 액세서리와 함께 사용할 경우, 기기가 안전하게 고정되었는지를 확인하십시오.
- p) 측정오류를 방지하기 위해서는 레이저 방출구를 깨끗하게 유지해야 합니다.
- q) 기기가 건설 현장용으로 설계되었음에도 불구하고, 다른 광학 기기 (망원경, 안경, 카메라, 등등)와 마찬가지로 조심스럽게 취급해야 합니다.
- r) 기기는 습기 유입을 방지하도록 설계되어 있으나 기기를 운반용 케이스에 보관하기 전에 잘 닦아 기기가 건조함을 유지하도록 하십시오.
- s) 사용하는 동안 필드 체크를 통하여 정확도를 여러번 점검하십시오.

5.2 규정에 따른 작업환경 설비

- a) 측정장소의 안전을 확보하고, 기기를 셋업할 때에는 레이저빔이 다른 사람 또는 사용자 자신에게 향하지 않도록 주의하십시오.
- b) 사다리에서 작업 시 불안정한 자세가 되지 않도록 주의하십시오. 안전한 작업자세가 되도록 하고, 항상 균형을 유지하십시오.
- c) 유리나 다른 물체를 통해 측정하면, 측정결과가 부정확할 수 있습니다.
- d) 기기가 평탄하고 딱딱한 장소(진동이 없는 곳)에 설치되어 있는지에 유의하십시오.
- e) 규정된 한계내에서만 기기를 사용하십시오.
- f) 작업 공간 내에 여러 레이저가 사용될 경우, 각 기기의 빔이 서로 혼동되지 않도록 유의하십시오.
- g) 자기성 물체는 정확도에 영향을 미칠 수 있으므로 근처에 어떠한 자기성 물체도 있어서는 안됩니다. Hilti 유니버설 어댑터는 어떠한 영향도 미치지 않습니다.
- h) 리시버 이용 작업시 리시버가 빔을 기준으로 정확히 수직을 유지하도록 해야 합니다.
- i) 의료 기기 근처에서 기기를 사용해서는 안 됩니다.

5.3 전자기파 간섭여부(EMC)

지침
한국에만 적용됨: 이 기기는 가정용(B급) 전자파적합기기로서 주로 가정에서 사용하는 것을 목적으로 하며, 모든 지역에서 사용할 수 있습니다.

기기가 관련 장치에 필요한 엄격한 요구사항을 충족하였음에도 불구하고, Hiiti는 강한 전자기파로 인해 기능장애를 초래할 수 있는 간섭을 받을 수 있다는 가능성을 배제할 수 없습니다. 이러한 경우 또는 다른 불확실한 경우에는 테스트 측정을 실시해야 합니다. 또한 다른 기기 (예: 비행기의 내비게이션 시스템)에 장애를 일으키는 것을 배제할 수 없습니다.

5.4 레이저 등급 2/class II 기기에 대한 레이저 등급 분류

판매되는 기기의 모든 버전은 IEC60825-3:2007 / EN60825-3:2007에 따른 레이저 클래스 2 및 CFR 21 § 1040 (FDA)에 따른 Class II에 해당합니다. 이 기기는 그 외 다른 보호장비 없이 사용해도 됩니다. 레이저빔을 무의식적으로 잠깐 응시할 경우, 눈꺼풀이 깜박거리는 무조건반사에 의해 보호됩니다. 그러나 약, 술 또는 마약은 눈꺼풀의 이러한 무조건반사에 영향을 미칠 수 있습니다. 태양의 경우와 마찬가지로 레이저 광원을 절대 직접 응시해서는 안됩니다. 레이저빔이 사람에게 향하지 않도록 하십시오.

5.5 전기



- a) 운반을 위해 배터리를 제거 또는 절연하십시오.
- b) 환경오염을 방지하기 위해, 반드시 기기를 해당 국가의 법규에 따라 폐기처리해야 합니다. 잘 모를 경우에는 제조회사에 문의하십시오.
- c) 배터리는 어린이 손이 닿지 않도록 보관하십시오.
- d) 배터리에 과도한 열을 가하거나 불가에 노출시키지 마십시오. 배터리는 폭발할 수 있으며 또는 독성물질이 흘러 나올 수도 있습니다.
- e) 배터리를 충전시키지 마십시오.
- f) 기기에 설치된 상태에서는 배터리를 납땜하지 마십시오.
- g) 단락으로 인해 배터리가 방전되지 않도록 하십시오, 단락되면 배터리가 과열되고 화상을 입을 수도 있습니다.
- h) 배터리를 열지 마시고, 과도한 기계적 부하를 가하지 마십시오.
- i) 손상된 배터리를 설치하지 마십시오.
- j) 새 배터리와 현 배터리를 혼합하여 사용하지 마십시오. 제조회사가 다르거나 모델명이 다른 배터리를 사용하지 마십시오.

ko

5.6 전해액

잘못 사용할 경우, 배터리로부터 전해액이 흘러나올 수 있습니다. 전해액을 직접 만지지 마십시오. 실수로 만졌을 경우, 물로 씻으십시오. 전해액이 눈에 들어갔으면, 물로 씻어내고 의사와 상담하십시오. 배터리로부터 흘러나온 전해액은 피부를 손상시킬 수 있고, 화재를 발생시킬 수 있습니다.

6 사용전 준비사항



6.1 배터리 삽입 2

위험
새 배터리만을 사용하십시오.

- 1. 배터리 함을 여십시오.
- 2. 포장에서 배터리를 꺼내 기기에 바로 끼우십시오. 지침 Hiiti에서 권장하는 배터리를 이용해서만 기기를 작동시킬 수 있습니다.
- 3. 기기 밑면 안내에 따라 극이 정확하게 맞추어졌는지 점검하십시오.
- 4. 배터리 함을 닫으십시오. 확실하게 잠겼는지 다시 한 번 확인하십시오.

7 작동법



지침
가장 정확한 결과를 얻을 수 있도록 수직, 수평면에 빔을 투사하십시오. 이 때 기기를 평면 기준으로 90° 정렬하십시오.

7.1 작동법

7.1.1 레이저 빔 전원 켜기

- 1. 추를 로크해제 하십시오.

- ON/OFF 버튼을 한 번 누르거나 원하는 작동 유형이 설정될 때까지 여러 번 누르십시오.
지침 기기는 아래에 제시된 순서에 따라 작동 유형 사이에서 전환하고, ON/OFF 버튼이 매번 5초 이내에 다시 조작될 경우에 다시 처음부터 시작합니다.
수직 레이저 선
수평 레이저 선
수평 및 수직 레이저 선

7.1.2 기기 / 레이저 빔 전원 끄기

레이저 빔이 더 이상 보이지 않고 LED 지시등이 소등될 때까지 ON 버튼을 누르십시오.

지침

- ON/OFF 버튼이 그 전에 최소한 5초 동안 작동되지 않았을 경우에 기기를 끌 수 있습니다.
- 약 1시간 후에는 기기 전원이 자동으로 꺼집니다.

7.1.3 전원 스위치 자동 꺼짐 기능 비활성화

확인을 위해 레이저 빔이 다섯 번 깜박일 때까지 ON 버튼을 계속 누르고 계십시오(약 4초 간).

지침

ON/OFF 버튼을 누르거나 배터리가 방전된 경우, 기기의 전원이 꺼집니다.

7.1.4 사선 기능

추를 로크하십시오.

기기가 보정되지 않았습니다.

레이저 빔이 2초 간격으로 깜박입니다.

7.1.5 PMA 31 레이저 리시버와 사용

자세한 정보는 PMA 31 사용설명서 참조

7.2 사용 예

지침

조절식 발을 이용하여 평평하지 않은 바닥에서 사전에 기기의 레벨을 대략적으로 조정할 수 있습니다.

7.2.1 높이 전송 3

7.2.2 칸막이용 건식벽체 설치 4 5

7.2.3 파이프 라인 수직 정렬 6

7.2.4 난방 구성 요소 정렬 7

7.2.5 문틀 및 창틀 정렬 8

7.3 점검

7.3.1 연직점 점검 9

- 층고가 높은 실내 공간(예를 들어 층간 높이가 5~10 m인 경우)에서는 실내 바닥에 표시를 합니다(십자 표시).
- 기기를 바닥이 고르고 수평인 평면에 놓으십시오.
- 추를 로크해제 하고 기기를 켜십시오.
- 기기의 아래 쪽 연직 빔을 십자 표시의 중앙에 맞추십시오.

- 천장에 레이저 선의 위쪽 교차지점을 표시하십시오. 이를 위해 천장에 미리 종이 한 장을 붙여 주십시오.
- 기기를 90° 돌리십시오.
지침 아래 쪽 연직빔은 반드시 십자 표시 중심에 위치해야 합니다.
- 천장에 레이저 선의 위쪽 교차지점을 표시하십시오.
- 180°와 270° 회전에서 과정을 반복하십시오.
지침 이 과정에서 산출된 4개의 점이 하나의 원을 만들고, 이 원 안에서 표시되는 대각선 d1(1~3)과 d2(2~4)까지의 거리)의 교차점이 정확한 연직점입니다.
- 7.3.1.1장에 설명된 것처럼 정확도를 계산하십시오.

7.3.1.1 정확도 계산

$$R = \frac{10}{RH [m]} \times \frac{(d1 + d2) [mm]}{4} \quad (1)$$

$$R = \frac{30}{RH [ft]} \times \frac{(d1 + d2) [inch]}{4} \quad (2)$$

공식(RH = 방높이)의 결과(R)는 "10 m에서 mm 단위의" 정확도를 제공합니다(공식(1)). 이 결과(R)는 기기의 제원 범위 내에 있어야 합니다(10 m에서 2 mm).

7.3.2 수평 레이저 빔의 수평도 측정 점검 10

- 기기를 벽 (A)에서 약 20 cm 정도 떨어진 평평하고 수평인 평면에 놓고, 레이저 빔을 벽 (A)쪽으로 향하게 하십시오.
- 레이저 선의 교차점(1)을 벽 (A)에 십자로 표시하십시오.
- 회전식 하우징을 사용하지 않고 기기를 완전히 180° 돌려 레이저 선의 교차점(2)을 마주보는 벽(B)에 십자로 표시하십시오.
- 기기를 벽 (B)에서 약 20 cm 정도 떨어진 평평하고 수평인 평면에 놓고, 레이저 빔을 벽 (B)쪽으로 향하게 하십시오.
- 레이저 선의 교차점(3)을 벽(A)에 십자로 표시하십시오.
- 회전식 하우징을 사용하지 않고 기기를 완전히 180° 돌려 레이저 선의 교차점(4)을 마주보는 벽(B)에 십자로 표시하십시오.
- (1)과 (4) 사이의 거리 d1과 (2)와 (3) 사이의 거리 d2를 측정하십시오.
- d1과 d2의 중심점을 표시하십시오.
기준점 1과 3이 중심점의 다른 면에 있을 경우, d1에서 d2를 빼십시오.
기준점 1과 3이 중심점의 같은 면에 있을 경우, d1과 d2를 더하십시오.
- 산출된 값을 방 길이의 2배 값으로 나누십시오.
최대 허용 오차는 2 mm입니다.

7.3.3 직각도 점검 (수평) 11 12 16

- 기기의 아래쪽 연직 빔을 벽 쪽으로 약 5 m 떨어진 공간 중앙에 있는 기준 십자 표시 중심에 맞추면, 첫번째 타겟 플레이트의 수직선이 정확히 앞쪽 수직 레이저 빔의 중앙을 관통합니다.
- 계속해서 타겟 플레이트 b를 고정시키거나 또는 뾰뚱한 종이를 중간 지점 중앙에 고정시키십시오.
레이저 선(d1)의 우측 교차점을 표시하십시오.



- 기기를 위쪽에서 볼 때 정확히 시계 방향으로 90° 돌리십시오. 기준점은 반드시 기준 십자 표시의 중앙에 있어야 하며, 레이저 선의 좌측 교차점은 타겟 플레이트의 수직선을 정확히 관통해야 합니다.
- 타겟 플레이트 c에 레이저 선(d2)의 우측 교차점을 표시하십시오.
- 그 다음에 타겟 플레이트 b에 레이저 선의 앞쪽 교차점의 중심점(d3)을 표시하십시오. 지침 d1과 d3 사이 수평거리는 5 m 거리에서 측정할 때 최대 2 mm 이어야 합니다.
- 기기를 위쪽에서 볼 때 시계 방향으로 180° 돌리십시오. 기준점은 반드시 기준 십자 표시의 중앙에 있어야 하며, 레이저 선의 우측 교차점은 첫 번째 타겟 플레이트의 수직선을 정확히 관통해야 합니다.
- 타겟 플레이트 c에 레이저 선(d4)의 우측 교차점을 표시하십시오. 지침 d2와 d4 사이의 수평 거리는 5 m 거리에서 측정할 때 최대 2 mm 이어야 합니다. 지침 d1에서 우측에 d3이 있으면, d1-d3 및 d2-d4의 수평 거리의 합은 5m 거리에서 측정할 때 최대 2 mm 이어야 합니다. 지침 d1에서 좌측에 d3이 있으면, d1-d3과 d2-d4 사이의 수평 거리의 편차는 5m 거리에서 측정할 때 최대 2 mm 이어야 합니다.

7.3.4 수평선의 정확도 점검 14 15

- 기기를 공간(길이 최소한 10 m)의 가장자리에 설치하십시오. 지침 바닥은 평평하고 수평이어야 합니다.
- 모든 레이저 빔을 켜십시오.
- 레이저 빔의 앞쪽 교차점이 타겟 플레이트의 중앙(d0)을 나타내고 타겟 플레이트의 수직선이 수직 레이저 빔의 중앙을 정확하게 관통하도록, 타겟 플레이트를 기기로부터 최소한 10 m 거리를 두고 고정시키십시오.
- 아래쪽 연직 빔의 중심점을 바닥에 기준 십자 표시하십시오.

- 회전식 하우징을 사용하지 않고 기기를 완전히 45°, 위쪽에서 볼 때 시계 방향으로 돌리십시오. 기준점은 반드시 기준 십자 표시의 중심에 있어야 합니다.
- 수평 레이저 선과 타겟 플레이트의 수직 선이 만나는 점(d1)을 타겟 플레이트에 표시하십시오.
- 회전식 하우징을 사용하지 않고 기기를 완전히 반시계방향으로 90° 돌리십시오. 기준점은 반드시 기준 십자 표시의 중심에 있어야 합니다.
- 수평 레이저 선과 타겟 플레이트의 수직 선이 만나는 점(d2)을 타겟 플레이트에 표시하십시오.
- 다음 수직 거리를 측정하십시오: d0-d1, d0-d2 그리고 d1-d2. 지침 측정한 최대 수직 거리는 10 m 거리에서 측정할 때 최대 4 mm 이어야 합니다.

7.3.5 수직선 점검 16

- 기기를 2 m 높이에 위치시키십시오.
- 기기를 켜십시오.
- 첫 번째 타겟 플레이트 T1(수직)을 같은 높이(2m)에서 기기로부터 2.5 m 떨어진 곳에 배치하고, 수직 레이저 빔이 타겟 플레이트를 관통하는 위치를 표시하십시오.
- 두 번째 타겟 플레이트 T2를 첫 번째 타겟 플레이트에서 아래쪽으로 2 m 떨어진 곳에 배치하고, 수직 레이저 빔이 타겟 플레이트를 관통하는 위치를 표시하십시오.
- 시범 설치된 맞은 편(좌우가 거꾸로 됨), 기기로부터 5 m 떨어진 바닥에 레이저 빔이 지나가는 위치 2를 표시하십시오.
- 방금 바닥에 표시한 위치 2에 이제 기기를 놓으십시오. 레이저 빔을 타겟 플레이트 T1과 T2에 맞추면, 레이저 빔이 중앙선 가까이 있는 타겟 플레이트를 관통하게 됩니다.
- 각 타겟 플레이트의 D1과 D2 사이의 거리를 판독하고 편차(D = D1 - D2)를 산출하십시오. 지침 타겟 플레이트가 서로 평행하게 위치하고 동일한 수직선 상에 존재하는지 확인하십시오. (수평 정렬은 측정 오류를 유발할 수 있습니다) 편차 D가 2 mm를 초과할 경우, 기기를 Hilti 서비스 센터에서 조정해야 합니다.

ko



8 관리와 유지보수

8.1 청소와 건조

- 유리에서 먼지를 제거하십시오.
- 유리를 손가락으로 만지지 마십시오.
- 깨끗하고 부드러운 천만을 사용하십시오; 필요시 순수 알코올 또는 물을 약간 묻혀 사용하십시오. 지침 플라스틱 부품을 손상시킬 수 있으므로 다른 액체는 절대로 사용하지 마십시오.
- 기기 보관시 특히 하절기와 동절기에, 기기를 자동차에 보관할 경우에는 허용 온도한계값에 유의하십시오 (-25 °C ~ +60 °C).

8.2 보관

기기에 물기가 묻거나 습기에 노출된 경우 포장에서 꺼내십시오. 기기, 운반용 케이스 그리고 액세서리를 건조시킨 다음 (최고 63 °C) 깨끗이 청소하십시오.

장비가 모두 완전히 건조된 후 다시 포장하여, 건조한 장소에 보관하십시오.

기기의 장기 보관 또는 장기 운송 후에는 사용 전, 기기의 정확도 점검을 실시하십시오. 기기를 장기간 보관해야 할 경우, 배터리를 기기로부터 빼내십시오. 배터리로부터 전해액이 누설되어 기기가 손상될 수 있습니다.

8.3 이동

장비를 이동 또는 선적할 경우, Hilti 선적용 상자 또는 동급의 포장박스를 이용하십시오.

주의

기기는 항상 배터리가 없는 상태로 공급됩니다.



8.4 Hilti 칼리브레이션 서비스

규격에 따른 신뢰성과 법적인 요구를 보장하기 위해, 기기의 정기점검을 Hilti 칼리브레이션 서비스 센터에서 실시할 것을 권합니다.
Hilti 칼리브레이션 서비스는 언제든지 이용할 수 있습니다; 그러나 최소한 매년 1회씩은 실시하는 것이 좋습니다.

Hilti 칼리브레이션 서비스의 범위내에서, 점검일에 점검된 기기의 제원이 사용 설명서의 기술자료와 일치하는지가 확인됩니다.
제작사 설명서와 차이가 있을 경우, 측정기기는 다시 보정됩니다. 보정과 점검이 끝난 후, 칼리브레이션 스티커가 기기에 부착되며, 기기의 기능이 제작사 설명서와 일치한다는 칼리브레이션 증명서가 서면으로 제출됩니다.
칼리브레이션 증명서는 ISO 900X에 따라 인증된 회사들에서 항상 요구됩니다.
귀하의 지역에 있는 Hilti 지사에서 보다 더 자세한 정보를 제공해드릴 것입니다.

ko

9 고장진단

고장	예상되는 원인	대책
기기의 스위치가 켜지지 않음.	배터리 방전.	배터리를 교환하십시오.
	배터리의 극이 틀리게 끼워짐.	배터리를 정확하게 끼우십시오.
	배터리 함이 닫혀 있지 않음.	배터리 함을 닫으십시오.
	기기 또는 ON/OFF 버튼 결함.	Hilti 서비스 센터에 수리를 의뢰하십시오.
각각의 레이저 빔이 작동하지 않음.	레이저 광원 또는 레이저 컨트롤 불량.	Hilti 서비스 센터에 수리를 의뢰하십시오.
기기의 전원이 켜져 있으나, 레이저 빔이 보이지 않음.	레이저 광원 또는 레이저 컨트롤 불량.	Hilti 서비스 센터에 수리를 의뢰하십시오.
	온도가 너무 높거나 너무 낮음.	기기를 냉각시키거나 가열하십시오.
자동 레벨 조정이 작동하지 않음.	기기가 경사진 면에 놓여 있음.	기기를 평면에 놓으십시오.
	기울기 센서 불량	Hilti 서비스 센터에 수리를 의뢰하십시오.

10 폐기

경고
기기를 부적절하게 폐기처리할 경우, 다음과 같은 결과가 발생할 수 있습니다:
플라스틱 부품을 소각할 때, 인체에 유해한 유독가스가 발생하게 됩니다.
배터리가 손상되거나 또는 과도하게 가열되면 폭발할 수 있고, 이 때 오염, 화상, 산화 또는 환경 오염의 원인이 될 수 있습니다.
부주의한 폐기처리는 사용 권한이 없거나 부적합한 기기의 사용을 야기하여, 사용자와 제 3자에게 중상을 입히거나 환경을 오염시킬 수 있습니다.



Hilti 기기는 대부분 재사용이 가능한 재료로 제작되었습니다. 또한 재활용을 위해서는 먼저 개별 부품을 분리하십시오. Hilti사는 이미 여러 나라에서 귀하의 낡은 기기를 회수, 재활용이 가능하도록 하고 있습니다. Hilti 고객 서비스부 또는 판매회사에 문의하십시오.



EU 국가용으로만
전자식 측정기를 일반 가정의 쓰레기처럼 폐기해서는 안 됩니다!
수명이 다 된 기기는 전기/전자-노후기계에 대한 EU 규정에 따라 그리고 각 국가의 법규에 명시된 방식에 따라 반드시 별도로 수거하여 친환경적으로 재활용되도록 하여야 합니다.



국가 규정에 따라 배터리를 폐기처리하십시오

11 기기 제조회사 보증

Hilti사는 공급된 기기에서 재질상의 결함 또는 제작상의 결함이 없음을 보증합니다. 이러한 보증은 다음과 같은 전제조건하에서만 적용됩니다: Hilti 사용설명서에 제시된 내용대로 기기를 정확하게 사용하고, 취급, 관리, 청소하였어야 하며, 기술적인 통일성이 보장되어야 합니다. 즉 기기에 Hilti사의 순정 소모품, 액세서리 부품 그리고 대체부품만을 사용했어야 합니다.

이러한 보증은 기기의 전체 수명기간 동안 무상 수리 또는 결함이 있는 부품의 무상 교환을 포함하고 있습니다. 정상적으로 마모된 부품들은 이러한 보증에서 제외됩니다.

국가별 강제 규정에 위배되지 않는 한, 그 외의 청구는 할 수 없습니다. 특히 기기를 임의의 목적을 위해 사용하는 것은 불가능하기 때문에, Hilti사는 이러한 사용과 관련된 직접/간접적인 결함 또는 2차적인 손상, 손실 또는 비용에 대해서는 책임을 지지 않습니다. 특정한 목적을 위해 개조하거나 사용하는데 대한 보증은 명확하게 배제됩니다.

수리 또는 교환하기 위해서는, 기기 그리고/또는 해당 부품을 결함이 확인되는 즉시 Hilti의 수리센터로 보내야 합니다.

제시된 보증은 Hilti측의 모든 보증의무를 포함하고 있으며, 이전 또는 현재의 모든 설명, 문서상 또는 구두상의 협정과 관련된 보증을 대체합니다.

ko

原始操作說明

PM 4-M 多線雷射測量儀

第一次使用本機具前，請務必詳讀此操作說明。

本操作說明應與機具放在一起。

zh

機具轉交給他人時必須連同操作說明一起轉交。

內容	頁次
1 一般使用說明	28
2 產品說明	29
3 配件	30
4 技術資料	30
5 安全說明	31
6 使用前注意事項	32
7 操作	32
8 維護和保養	34
9 故障排除	34
10 廢棄機具處置	35
11 製造商保固－機具	35

❶ 號碼會相對於各個圖案，圖案說明可以在封面的內摺頁中找到。詳讀操作手冊時，請將此頁打開。本操作說明中所稱的「機具」，指的是PM 4-M多線雷射測量儀。

零件、操作控制與指示燈 ❶

- ❶ LED燈On / Off按鈕
- ❷ 擺錘鎖定機制旋鈕
- ❸ 雷射光束孔
- ❹ 可微調旋轉平台
- ❺ 可調整式腳座
- ❻ 圓形氣泡水平儀
- ❼ 電池匣

1 一般使用說明

1.1 安全須知及其意義

危險

用於告知可能會發生對人體造成嚴重傷害甚至死亡的立即性危險情況。

警告

用於告知可能會發生造成人員受傷或死亡之重度危險情況。

注意

用於告知可能會發生造成人員受傷，或造成設備及其他財產損壞的輕度危險情況。

附註

注意操作說明或其他有用的資訊內容。

1.2 圖形符號之說明及其他資訊

警告標誌



一般警告

符號



使用前應閱讀操作說明



不可將廢棄機具、電器或電池與家庭廢棄物一併處置。

機具上



請勿注視雷射光束
美國雷射警告牌 (符合CFR 21 § 1040 (FDA))

機具上



雷射輻射。請勿直視雷射光束。雷射等級2。
符合IEC60825/EN60825-1:2007標準的雷射警示板

機具識別資料位置

本機具型號及序號標示於型號辨識牌上。請在操作說明書上記下這些資料，並於洽詢Hilti代理商或維修部門時告知。

型號：

產品代別：01

序號：

zh

2 產品說明

2.1 按照指示使用產品

PM 4-M為一自動調平多線雷射測量儀，讓您可以獨立且迅速正確地進行轉換直角、水平調平、定位和垂直校準等工作。本機具可投射水平一條、垂直兩條共三條標線，底部的參照點以及四個標線交叉點，範圍約10 m。範圍取決於周圍光照的亮度。

本機具之設計主要為室內使用，且無法代替旋轉雷射測量儀。

若用於戶外，必須注意一般條件能類似於室內環境。可能的應用為：

標示分隔牆位置（在直角及垂直面上）。

檢查並轉換直角。

以三軸方位校準待安裝部件或結構段。

轉換標示在地板至天花板的點。

雷射標線可以分別（僅垂直或水平標線）或是同時開啟。如果有傾斜角度時，將會停止自動調平所需要使用的擺錘。

遵守本操作說明書中關於操作、維修及保養的資訊。

不可改裝本機具。

請僅使用Hilti原廠配件及彈圈夾具，以免受傷。

未經訓練的人員以錯誤方式或不按照指示使用本機具及其附件，可能會發生危險。

2.2 產品特點

PM 4-M的自動調平範圍約4°。如果不敷使用，本工具也能使用可調整式腳架和水平圓形氣泡水平儀進行調平。

自動調平僅需約3秒。

超出自動調平範圍時（雷射光束會閃爍），雷射測量儀會發出「Out of self-leveling range」（超出自動調平範圍）

警訊。

PM 4-M的設定及操作相當簡單，堅固耐用的外殼更為其重要特色。

本機具可搭配PMA 31雷射接收器使用。

在正常操作模式下，機具會在1小時後自動關閉。若要啟動持續操作模式，請按住On / Off按鈕達4秒鐘。

2.3 項目供應數（工具箱版）

- 1 多線雷射測量儀
- 1 三腳架轉接器
- 4 電池
- 1 操作說明
- 1 製造商證明

2.4 操作過程中所顯示的資訊

LED	LED不亮。	機具關閉。
	LED不亮。	電池電力耗盡。
	LED不亮。	電池未正確安裝。
	LED持續亮起。	雷射光束開啟。機具操作中。

LED	LED每10秒（擺錘未鎖定）或是每2秒（擺錘已鎖定）閃爍兩次。	電池電力即將耗盡。
	LED閃爍。	機具已關閉，但擺錘未鎖定。
雷射光束	雷射光束每10秒（擺錘未鎖定）或是每2秒（擺錘已鎖定）閃爍兩次。	電池電力即將耗盡。
	雷射光束閃爍五次並恆亮。	已停用自動斷電。
	雷射光束快速閃爍。	機具無法自動調平（在自動調平範圍之外）。
	雷射光束每2秒鐘閃爍一次。	傾斜標線運作模式。擺錘已鎖定會造成標線並未調平。

3 配件

名稱	簡稱	產品說明
三腳架	PMA 20	
目標面板	PMA 54/55	
目標面板	PRA 50/51	
雷射接收器	PMA 31	
Hilti工具箱		
雷射可視眼鏡	PUA 60	雷射可視眼鏡並非護目鏡，因此不能作為眼睛對雷射光束的防護。因雷射可視眼鏡會限制眼睛所看到的顏色，故只能於使用PM 4-M進行工作時配戴，而不可於公共道路上駕駛車輛時配戴。於公共道路駕駛車輛時請勿佩戴雷射可視眼鏡。

4 技術資料

保留更改技術資料權利。

標線與標線交叉點範圍	不含雷射接收器：10 m 含雷射接收器：50 m
精確度 ¹	每10 m允差±2 mm
自動調平時間	3 S
雷射等級	等級2、可視、635 nm、±10 nm (EN 60825-3:2007 / IEC 60825 - 3:2007)；等級II (CFR 21 §1040 (FDA))
標線寬度	距離5 m：< 2 mm
自動調平範圍	±4°（一般）
自動斷電	再次啟動時間：1 h
操作狀態指示燈	LED及雷射光束
電源	AA電池，鹼性電池：4
操作時間（開啟所有標線）	鹼性電池2,500 mAh，溫度+24°C：7 h（一般）
操作溫度	最小 -10°C / 最大 +50°C
貯放溫度	最小 -25°C / 最大 +63°C

¹ 影響精確度的因素主要在於高溫、濕氣、震動或掉落等等，可能會造成調平誤差。除非有特別註明，否則本機具是在標準周圍環境下進行調整或校準（MIL-STD-810F）。

粉塵及噴霧防護 (除電池匣外)	符合IEC 60529中的IP 54等級
三腳架螺絲孔 (三角架轉接器)	BSW 5/8"UNC1/4"
重量	含電池 : 990 g
規格	124 x 124 x 187 mm

¹ 影響精確度的因素主要在於高溫、濕氣、震動或掉落等等，可能會造成調平誤差。除非有特別註明，否則本機具是在標準周圍環境下進行調整或校準 (MIL-STD-810F)。

5 安全說明

zh

警告：務必閱讀所有預防措施及說明。未能遵守以下安全預防措施及說明可能會造成電擊事故、火災和/或嚴重的傷害。保留所有安全須知與說明以供日後參考。

5.1 一般安全量測

- 測量前請檢查機具準確度。
- 未經訓練之人員錯誤的操作或操作時不按照指示，機具和其輔助設備會發生危險。
- 為避免傷害事故發生，僅可使用原廠Hilti配件與其他設備。
- 操作機器時，請提高警覺，注意進行中的工作並善用常識。身體疲勞或使用麻醉劑、酒精或藥物之後，請勿使用機器。操作機器時稍不留神就可能造成嚴重的人員傷亡。
- 不允許修改機具。
- 請閱讀操作手冊中有關機具操作、維護和保養說明。
- 勿使用任何失效的安全保護裝置，勿刪除任何標示或警告標誌。
- 使用設備時，應讓兒童及其他人員離開使用區。
- 考量週遭環境可能造成之干擾。不可把機具暴露在雨中或雪中，並且不要在潮溼的情形下使用。不可在有可能發生火災或爆炸危險的地方使用。
- 請小心謹慎維護機器。請檢查移動性零件有無偏移或黏合的情形、零件有無破損，以及任何會影響機器運轉的狀況。如果機器受損，請先修理再使用。未妥善維護是許多意外發生的原因。
- 請小心謹慎維護機器。請檢查移動性零件有無偏移或黏合的情形、零件有無破損，以及任何會影響機器運轉的狀況。如果機器受損，請先修理再使用。未妥善維護是許多意外發生的原因。
- 請將機具交給合格的維修人員進行維修，並使用相同的替代零件。這可確保維護機具安全。
- 機具掉落或受到其他機械物體撞擊力後，使用者應檢測其準確度。
- 在將機具從很冷移到溫暖的環境中時，或是在將機具從很熱移到冰冷的環境中時，使用前應先讓機具適應溫度。
- 如果變壓器或其他配件時，請確定機具已確實架好。
- 保持雷射光束孔潔淨，以避免誤測。
- 雖然本機具設計可在不良的工作環境中使用，但仍應像其他光學器材 (如雙目鏡、眼鏡、相機) 般謹慎使用。
- 雖然本機具有防潮設計，但在放入攜帶盒前，應先將機具擦乾。
- 使用本機具時，應進行數次檢查測量值準確度。

5.2 工作場所的適當佈置

- 確保您正在進行工作的區域安全，並小心架立機具，避免將雷射光束對著他人或自己。
- 在梯子上作業時，應避免不良的操作姿勢。隨時確定以安全的姿勢進行工作並保持身體平衡。
- 穿過玻璃或其他物品所取得的測量值，可能不正確。
- 確實將本機具架立在穩定、水平的表面上 (不會晃動)。
- 僅可在指定的使用限制範圍內使用本機具。
- 如果在同一個工地中使用多台雷射機具，請注意避免光束混淆。
- 磁場可能會影響機具的準確性。機具必須遠離磁性物體。Hilti通用變壓器不會影響本機具。
- 使用接收器工作時，必須將其固定在雷射光束的正確角度上。
- 請勿在醫療儀器旁使用本機具。

5.3 電磁相容性

附註

僅適用於韓國：此為等級B裝置並通過可用於住宅區的EMC規範認證。本裝置不限於住宅區，在其他所有區域亦可使用。

雖然本機具符合應用指示的嚴格要求，但Hilti無法完全排除本機具因巨大電磁輻射而受干擾的可能性，而這將導致不正常運作。在工作狀況許可或是您不確定時，請使用其他方法進行測量以檢測本機具的準確度。同樣地，Hilti亦無法排除與其他裝置發生干擾現象的可能性 (如航空器導航設備)。

5.4 雷射等級2 / 等級II機具的雷射等級

依據所購買的產品版本而定，本機具雷射等級2，符合IEC825-3:2007 / EN60825-3:2007和雷射等級II, CFR 21 § 1040 (FDA)。本機具可在無其他保護措施下安心使用。如果眼睛不小心注視到雷射光，眼皮的自然閉關反應即能保護眼睛。但服用藥物、酒精或毒品會減弱眼皮閉關的反應功能。然而，正如對太陽光般，請勿直接注視光源。勿將光束對準他人。

5.5 電力



- 機具運送前，須將電池絕緣或取出。
- 為避免環境污染，必須依照現行適用的國家法規對本機具進行處置。如果不確定如何處理，請諮詢製造商。
- 將電池放置在兒童無法取得之處。
- 不可讓電池過熱，且不可將電池暴露在火源附近。電池可能會爆炸或釋出有毒物質。
- 不可將電池充電。

- 不可將電池焊入本機具內。
- 不可用短路的方式為電池放電，因為這會使電池過熱而導致人員受傷（燙傷）。
- 不可嘗試打開電池，且不可讓電池受到過大機械應力。
- 不可使用受損電池。
- 不可將新舊電池混合使用。不可將不同廠牌或不同型號的電池混合使用。

5.6 液體

電池若不當使用可能會滲出液體。請避免接觸該液體。若不慎接觸，請以清水沖洗。若接觸滲出液體，請以大量清水沖洗眼睛並就醫。從電池中滲出的液體，可能會導致疼痛或燙傷。

6 使用前注意事項



6.1 安裝電池 2

危險
僅可使用新電池

- 打開電池匣。
- 將電池由包裝取出，並安裝至機具中。
附註 僅可使用Hilti推薦的電池供應本機具電源。
- 檢查電池正負級是否如下方所示，正確地安裝在裝置下方。
- 關上電池匣。檢查電池扣是否正確咬合。

7 操作



附註

為了達到最高的準確度，請將標線投射到垂直、平坦的表面。為此，機具架設時需與投射表面成90°。

7.1 操作

7.1.1 開啟雷射光束

- 解除擺錘鎖定。
- 按下On / Off按鈕一次或多次，直到選擇所需的操作模式。

附註 機具會依照下列順序切換操作模式，如果您按住On / Off按鈕5秒時，就會回到一開始的模式。

垂直雷射標線
水平雷射標線
水平與垂直雷射標線

7.1.2 關閉機具 / 雷射光束

按住 on/off 按鈕直到看不到雷射光束且LED熄滅為止。

附註

- 如果您先前沒有按住On / Off按鈕達5秒鐘，則您可以手動關閉機具。
- 機具約經1小時後會自動關閉。

7.1.3 停用自動斷電功能

按住選擇On / Off按鈕約4秒鐘，直到確認雷射光束閃爍五次為止。

附註

機具只有在按下On / Off按鈕或是電池耗盡時才會關閉。

7.1.4 傾斜標線功能

鎖定擺錘
機具不能無法自動調平。
雷射光束每兩秒閃爍一次。

7.1.5 搭配PMA 31雷射接收器使用

如需更多資訊，請參閱PRA 31操作說明。

7.2 應用範例

附註

可調整式腳座可以讓您在不平的基材上概略的預先調平機具。

7.2.1 轉換高度 3

7.2.2 測定隔牆的鎖牆軌跡 4 5



7.2.3 定位垂直水管 6

7.2.4 定位暖氣管 7

7.2.5 定位門窗框 8

7.3 檢查

7.3.1 檢查鉛垂點 9

1. 在具高度（例如在5到10公尺高的樓梯井或玄關）室內地板上標示記號。
2. 把機具放在平面上。
3. 解開擺錘的鎖定並開啟機具。
4. 將機具以低光束對準十字記號的中心點。
5. 標示出天花板上雷射標線交會處的頂點。標示記號前將一張紙貼附在天花板上。
6. 將機具旋轉90°。
附註 低垂直光束必須落在十字記號中心點。
7. 標示出天花板上雷射標線交會處的頂點。
8. 將機具以180°及270°旋轉後重複本步驟。
附註 產生的4個記號形成一個圓，其對角線d1 (1-3) 及d2 (2-4) 交點標示出垂直點的正中心。
9. 如7.3.1.1節所述計算出精確度。

7.3.1.1 準確度計算

$$R = \frac{10}{RH [m]} \times \frac{(d1 + d2) [mm]}{4} \quad (1)$$

$$R = \frac{30}{RH [ft]} \times \frac{(d1 + d2) [inch]}{4} \quad (2)$$

以此公式 (RH = 房間高度) 所算出的 (R) 表示機具的準確度 (以每10公尺的允差公釐) (公式(1))。(R) 值必須在機具規格範圍內 (每10公尺允差2公釐)。

7.3.2 檢查水平雷射光束的調平 10

1. 把機具放在距離牆壁 (A) 大約20公分的平面上，並將雷射光束直接對準牆壁 (A)。
2. 以十字記號 (1) 在牆壁 (A) 上標示雷射標線的交叉點。
3. 在不使用可旋轉式外殼的情況下將機具旋轉180°，並以十字記號 (2) 在前方牆壁 (B) 上標示雷射標線的交叉點。
4. 把機具放在距離牆壁 (B) 大約20公分的平面上，並將雷射光束直接對準牆壁 (B)。
5. 以十字記號 (3) 在牆壁 (B) 上標示雷射標線的交叉點。
6. 在不使用可旋轉式外殼的情況下將機具旋轉180°，並以十字記號 (4) 在前方牆壁 (A) 上標示雷射標線的交叉點。
7. 測量 (1) 和 (4) 間的距離d1，以及 (2) 和 (3) 間的距離d2。
8. 標示d1和d2的中間點。
如果參考點1和3位於中間點的不同側，將d1減去d2。
如果參考點1和3位於中間點同一側，則將d1加上d2。
9. 將上述結果除以房間長度的兩倍 (房間長度 x 2)。最大的可容許誤差為2公釐。

7.3.3 檢查垂直度 (水平) 11 12 13

1. 將含低垂直光束的機具放在房間中間參照十字點的中央並距離牆壁約5公尺處，讓前垂直雷射標線的中心正好落在第一塊目標面板 (a) 的垂直線上。
2. 將第二塊目標面板或是一張紙 (b) 放在離牆壁一半距離的位置 (如圖所示)。標示出雷射標線右側的交叉點 (d1)。
3. 依順時針方向將機具旋轉90° (如上所示)。參照點必須保持在參照十字的中央，且雷射標線左側的交叉點必須確實落在目標面板 (a) 的垂直線上。
4. 標示出目標面板 (c) 上雷射標線右側的交叉點 (d2)。
5. 然後在目標面板 (b) 上標示雷射標線前交叉點的中間點 (d3)。
附註 d1和d3間的水平距離，在5公尺的作業距離內不可超過2公釐。
6. 依順時針方向將機具旋轉180° (如上所示)。參照點必須保持在參照十字的中央，且雷射標線右側的交叉點必須確實落在第一塊目標面板 (a) 的垂直線上。
7. 然後標示出目標面板 (c) 上雷射標線左側的交叉點 (d4)。
附註 d2和d4之間的距離，在5公尺的作業距離內不可超過2公釐。
附註 如果d3在d1右邊，d1-d3與d2-d4間的水平距離總和在5公尺作業距離時不得超過2公釐。
附註 如果d3在d1左邊，d1-d3與d2-d4間的差距在5公尺作業距離時不得超過2公釐。

zh

7.3.4 檢查水平標線的精確度 14 15

1. 將機具置於房間距離邊緣至少10公尺。
附註 地板表面必須是水平的。
2. 開啟所有雷射光束。
3. 在距離機具至少10公尺處設立一目標面板，讓雷射標線的交叉點位於目標面板 (d0) 的中央處且目標面板的垂直線位在垂直雷射標線的中間。
4. 在地板上標示低垂直光束的中間點 (參考十字記號)。
5. 依順時針方向將整台機具旋轉45° (如上所示)，不要使用可旋轉式外殼。參考點必須停留在參照十字記號中心點。
6. 接著在目標面板上標示水平雷射標線與垂直雷射標線交會的點 (d1)。
7. 依逆時針方向將整台機具旋轉90° (如上所示)，不要使用可旋轉式外殼。參考點必須停留在參照十字記號中心點。
8. 接著在目標面板上標示水平雷射標線與垂直雷射標線交會的點 (d2)。
9. 測量下列垂直距離：d0-d1、d0-d2及d1-d2。
附註 最長垂直距離測量值在作業距離10公尺時不得長於4公釐。

7.3.5 檢查垂直標線 16

1. 將機具放在高度2公尺處。
2. 啟動機具。
3. 將機具放在相同高度 (2公尺)，並將第一塊目標面板T1 (垂直) 放在2.5公尺處，讓垂直雷射光束就會投射在面板上。標示位置。



- 將第二塊目標面板T2放在第一塊目標面板下方2公尺處的位置，讓垂直雷射光束投射在面板上。標示位置。
- 在測試配置的相對側，離機具5公尺的地板雷射標線上標示出位置2。
- 現在將機具置於剛才在地板上標示的位置2。將雷射光束指向目標面板T1和T2，讓它指向兩個面板的中線。
- 從目標面板中算出D1與D2的距離（雷射標線到目標面板中心的距離）並計算其差異（ $D = D1 - D2$ ）。
附註 小心確保目標面板互相平行，且位於同一個垂直平面上。（水平定位可能會造成測量錯誤）。
如果D大於2公釐，本機具必須送至Hilti維修中心進行調整。

zh

8 維護和保養

8.1 清潔及乾燥

- 應吹掉玻璃上的灰塵。
- 不可用手指碰觸玻璃鏡片。
- 僅用乾淨軟布清潔本機具。必要時，將軟布沾上純酒精或些許清水。
附註 不可使用任何其他液體，因為這可能會損壞塑膠組件。
- 貯放設備時請遵守溫度限制。冬季 / 夏季如果設備貯放在汽車內，此點尤其重要（ $-25^{\circ}\text{C} - +60^{\circ}\text{C}$ ）。

8.2 貯放

如果機具變潮濕，請將機具從機具箱取出。必須將機具、外殼及配件予以清潔並乾燥（最高 63°C ）。機具完全乾燥後才可重新裝箱，然後貯放於乾燥之處。
在設備長時間貯放或運送後，使用前應先檢測其準確度。長時間貯放機具前，請先取出電池。漏電電池會損壞機具。

8.3 運送

請使用Hilti工具專用箱或同等材質之包裝材料運送或船運您的設備。

注意

運送機具前，須取出電池。

8.4 Hilti校準維修服務中心

建議定期將機具送至Hilti校準維修服務中心檢測，以證實其性能安全可靠，符合標準及法律要求。

隨時都可使用Hilti校準維修服務中心提供的服務，但建議每年至少進行一次檢測。

校準維修服務中心將證明機具在測試日符合操作說明書上所列的規格。

如果發現機具有偏離製造商所列規格的現象，將重新校準。在檢測及校準後，貼在機具上的校準標籤以及校準證明書，是機具運作符合製造商所列規格的書面證明。符合ISO900x的公司，均要求校準證明書。

您的Hilti服務中心或代理商，將很樂意提供詳細資訊。

9 故障排除

故障	可能原因	故障排除
無法開啟機具。	電池電力已耗盡。	更換電池。
	電池安裝方向錯誤（電極錯誤）。	正確安裝電池。
	電池匣未關上。	關上電池匣。
	機具或On / Off按鈕故障。	必要時，將機具送交Hilti維修中心修理。
單一雷射光無法起作用。	雷射光源或雷射控制裝置故障。	必要時，請將機具送至Hilti維修中心修理。
機具可以開啟但看不到雷射光。	雷射光源或雷射控制裝置故障。	必要時，請將機具送至Hilti維修中心修理。
	溫度太高或太低。	讓機具冷卻或暖機。
自動調平無法作用。	機具安裝在過於傾斜表面。	將機具安裝在水平面上。
	傾斜感應器故障。	必要時，請將機具送至Hilti維修中心修理。

10 廢棄機具處置

警告

不當處置廢棄設備會造成嚴重的後果：

塑膠部件若起火，將產生危害健康的有毒煙霧。

電池如果受損或暴露在極高溫度下，可能會爆炸，進而造成毒性灼傷、酸性灼傷，或環境污染。

如不謹慎處置廢棄設備，可能會導致該設備受到未經授權或不當使用。這可能會造成嚴重的人員傷亡、使第三方受到傷害以及造成環境污染。



Hilti機具或設備所採用的材料，大部分都可回收利用。回收前，必須先將材料正確分類。Hilti在許多國家中，已為回收舊機具及舊設備，做了妥善安排。詳情請洽Hilti客戶服務中心，或當地Hilti代理商。



僅歐盟國家適用

請勿將電子設備與一般家用廢棄物一同回收！

依據歐盟指令關於電子及電器設備廢棄物的規範，以及國家相關施行法律規定，已達使用年限的電子設備必須分別收集，並交由環保回收機構處理。



依照國家法規處置電池。

11 製造商保固 - 機具

Hilti保證所供應之機具無論在材料上或製造上均無瑕疵。只要以正確的方式操作並處置機具、適當地清潔與維修、遵守Hilti的操作說明，並維護技術系統，本保固即為有效。這表示在本機具上僅可使用原廠Hilti耗材、部件與備用零件。

此保固僅能提供該機具整個使用壽命期間免費修復或更換零件服務。正常磨損、損耗所造成的零件維修或更換不在保固範圍內。

除非當地國家法規嚴格禁止，不接受禁止額外賠償條例之設立，否則不予考慮額外賠償的要求。尤其，Hilti對於任何與機具在任何用途上之使用或無法使用所造成或有關之直接、間接、偶發或後續損害、損失或費用不負賠償責任。尤其明確排除關於機具之適售性或其特定用途上之適用性的默示擔保。

發現產品有瑕疵時，請立即將機具或相關零件送至當地Hilti行銷機關修理或替換。

本條款為Hilti所有的保固責任，並取代先前或同時期就保固責任所達成的註解及口頭或書面協議。

zh

原版操作说明

PM 4-M 多线激光器

在第一次使用工具之前请务必阅读本操作说明。

应始终将本操作说明与工具保存在一起。

当您将来工具交给他人时，请确保一并交付本操作说明。

cn

目录	页码
1 概述信息	36
2 描述	37
3 配件	38
4 技术数据	38
5 安全说明	39
6 在使用之前	40
7 操作	40
8 维护和保养	42
9 故障排除	42
10 废弃处置	42
11 制造商保修 - 工具	43

1 有关这些编号请参考相应的示图。示图可以在折页上找到。当学习操作说明时，应保持将这些折页打开。在本操作说明中，“工具”是指 PM 4-M 多线激光器。

部件、操作控制器和指示器 **1**

- ① 带的 LED “打开/关闭”按钮
- ② 摆锁止机构的旋钮
- ③ 激光出射窗
- ④ 旋转平台微调装置
- ⑤ 可调节撑脚
- ⑥ 圆水准器
- ⑦ 电池盒

1 概述信息

1.1 安全提示及其含义

-危险-

用于让人们能够注意到可能会导致严重身体伤害或致命的迫近危险。

-警告-

用于让人们能够注意到可能会导致严重人身伤害或致命的潜在危险情形。

-小心-

用于让人们能够注意到可能会导致较小人身伤害、设备损坏或其它财产损失的潜在危险情形。

-注意-

用于提醒人们注意操作说明和其它有用信息。

1.2 象形图的解释和其它信息

警告符号



一般警告

符号



请在使用之前阅读操作说明。



不允许将电动工具或设备以及电池与家用垃圾一起处理。

在工具上



不要直视激光束。

符合 CFR 21 § 1040 (FDA) 的激光警告牌 (适用于美国)。



在工具上



激光辐射。不要直视光束。2 级激光。
符合 IEC60825/EN60825-1:2007 的激光警告牌

工具上标识数据的位置

型号名称和序列号可以在工具的铭牌上找到。将这些数据记录在您的操作说明上。当向您的 Hilti 公司代表或服务部门提出查询时，将总是需要它们作为参考。

型号：_____

分代号：01 _____

序列号：_____

cn

2 描述

2.1 产品使用指南

PM 4-M 为自调平多线激光器，只需一个人便可用它精确地传送直角、调平并执行对准工作和垂准。工具有三条线（一条水平、两条垂直）、底部有一个参考点以及四个交点（前部、顶部、左侧和右侧），射程约为 10 m。射程取决于环境光线的亮度。

本工具主要供室内使用，不能用来替代旋转激光器。

当用于室外应用场合时，必须小心以确保一般使用条件与在室内使用时相似。可能的应用场合包括：

标记隔断墙的位置（在直角处和垂直平面内）。

检查并传送直角。

对准待安装的部件或在三条轴线上对准建筑物的结构部分。

在地板上标记的至天花板的传送点。

激光线可单独打开（仅垂直或水平线），也可一起打开。与倾斜角一起使用时，用于自动调平的摆受阻。

请务必遵守操作说明中列出的有关操作、维护和保养的信息。

不允许改装工具。

为避免造成人身伤害，仅允许使用 Hilti 公司原装配件和插入工具。

不按照说明使用或未经培训的人员不正确地使用工具或其辅助设备，可能会带来危险。

2.2 特点

PM 4-M 可在大约 4° 的范围内自动自调平。如果不够，可使用可调节撑脚和圆水准器将工具调平。

自调平时间仅需大约 3 秒钟。

当超出自调平范围时，多线激光器会发出“超出自调平范围”警告（激光束闪烁）。

PM 4-M 易于设置和操作，并配有凹凸不平的塑料壳体。

本工具可与 PMA 31 激光接收机一起使用。

在正常工作模式下，工具在 1 小时后会自动关闭。通过按住打开/关闭按钮四秒钟可以启动持续工作模式。

2.3 工具箱版本供货包括的部件

- 1 多线激光器
- 1 三脚架适配器
- 4 电池
- 1 操作说明
- 1 制造商证书

2.4 操作期间显示的信息

LED	LED 没有亮起。	工具关闭。
	LED 没有亮起。	电池已经耗尽。
	LED 没有亮起。	电池插入不正确。
	LED 持续亮起。	激光束打开。工具处于操作过程中。
	LED 每 10 秒（摆未锁止）或每 2 秒（摆锁止）闪烁两次。	电池几乎耗尽。
	LED 闪烁。	工具已关闭，但是摆未锁止。



激光束	激光束每 10 秒 (摆未锁止) 或每 2 秒 (摆锁止) 闪烁两次。	电池几乎耗尽。
	激光束闪烁五次, 然后保持常亮。	自动关机功能已停用。
	激光束快速闪烁。	工具不能完成自调平 (超出自调平范围)。
	激光束每 2 秒闪烁一次。	倾斜激光线工作模式。激光线未调平, 导致摆锁止。

3 配件

cn

名称	缩写	说明
三脚架	PMA 20	
目标板	PMA 54/55	
目标板	PRA 50/51	
激光接收机	PMA 31	
喜利得工具箱		
激光观察眼镜	PUA 60	激光观察眼镜没有保护功能, 因此不能保护眼睛免受激光的直射伤害。由于激光观察眼镜会限制彩色视觉, 因此只能在使用 PM 4-M 激光工具时才可佩戴它。在公路上驾驶车辆时不要佩戴激光观察眼镜。

4 技术数据

保留作出技术更改的权利!

激光线和交点的范围	不带激光接收机: 10 m 带激光接收机: 50 m
精度 ¹	10 m 的误差为 ±2 mm
自调平时间	3 S
激光等级	2 级, 可见, 635 nm, ±10 nm (EN 60825-3:2007 / IEC 60825 - 3:2007); II 级 (CFR 21 §1040 (FDA))
激光线宽度	距离 5 m: < 2 mm
自调平范围	±4° (典型)
自动关机等待时间	在一段时间之后启动: 1 h
工作状态指示器	LED 和激光束
电源	AA 型电池, 碱性电池: 4
工作时间 (所有激光线打开)	碱性电池 2,500 mAh, 温度 +24°C: 7 h (典型)
工作温度	最小 -10°C / 最大 +50°C
存放温度	最小 -25°C / 最大 +63°C
防尘和防洒水保护 (电池盒除外)	IP 54, 按照 IEC 60529
三脚架螺纹 (三脚架适配器)	BSW 5/8"UNC1/4"
重量	包括电池: 990 g
尺寸	124 x 124 x 187 mm

¹ 特别高的温度波动、潮湿、震动、跌落等影响会影响精度。除非另有说明, 否则本工具在标准环境条件下 (MIL-STD-810F) 调整或校准过。

5 安全说明

警告：确保您已阅读所有安全预防措施和操作说明。不遵守安全预防措施和操作说明可能会导致电击、火灾和/或严重人身伤害。保留所有安全预防措施和操作说明，以供将来参考。

5.1 一般性安全措施

- 在使用工具进行测量之前，应检查工具的精度。
- 不按照说明使用或未经培训的人员不正确地使用工具或其辅助设备，可能会带来危险。
- 为避免造成人身伤害，仅允许使用喜利得公司原装配件和附加设备。
- 保持警觉，注意您正在进行的工作，并在操作机器的过程中，应利用自己的判断能力。当您疲劳或受到药物、酒精或医疗影响时，请不要使用机器。当操作机器时，瞬间的分心都可能会导致严重的人身伤害。
- 不允许改装工具。
- 请务必遵守操作说明中列出的有关操作、维护和保养的信息。
- 不要做出使安全装置无效的行为，并且不要除去安全信息和警告提示。
- 在使用工具或设备的过程中，不要让儿童和其他人接近工作区域。
- 应考虑周围环境的影响。不要将工具暴露在雨雪中，且不要在湿气或潮湿环境中使用工具。不要将工具用于存在火灾或爆炸危险的场合。
- 注意小心维护机器。检查是否存在运动部件失调或卡滞、部件断裂和任何其它影响机器操作的情况。如果存在损坏，则在使用之前应修理机器。维护不良是许多事故产生的原因。
- 注意小心维护机器。检查是否存在运动部件失调或卡滞、部件断裂和任何其它影响机器操作的情况。如果存在损坏，则在使用之前应修理机器。维护不良是许多事故产生的原因。
- 您的电动工具只能由合格的维修人员使用原装备件进行修理。这样才能确保维持电动工具的安全性。
- 在工具摔落或受到其它机械应力后，必须检查它的精度。
- 当将工具从极冷的条件下带到温暖的环境（反之亦然）时，应先让它适应了新环境然后再使用。
- 确保在使用适配器或配件时，工具安装牢固。
- 保持激光出口孔清洁，以避免测量误差。
- 尽管工具的设计充分考虑了现场使用的苛刻条件，但是我们也应该爱护它，就象对待其它光学和电子仪器（例如双筒望远镜、眼镜、照相机）一样。
- 尽管本工具为防止湿气进入作了保护，但是在每次放入工具箱之前都应将其擦拭干净。
- 在使用工具过程中，应检查几次测量精度。

5.2 工作场地的正确组织

- 当安装工具时，应保护您正在工作的区域，并注意避免将激光束对准他人或自己。
- 当使用梯子进行工作时，应避免不利的身体位置。应确保以安全的站姿工作并一直保持身体平衡。
- 穿过玻璃嵌板或其它物体的测量可能不准确。
- 确保工具安放在稳定、水平的表面上（无振动）。
- 使用工具时不要超过其规定的限值。

- 如果在同一工作区域内使用多个激光工具，必须小心以避免混淆激光束。
- 磁场可能会影响工具的精度，必须使其远离磁性物体。本工具不会受喜利得通用适配器的影响。
- 当与接收装置一起使用时，接收装置的固定必须使其与激光束恰好成直角。
- 不要在医疗器械附近使用本工具。

5.3 电磁兼容性

-注意-

仅用于韩国：这是一个 B 类装置，并且已经针对住宅使用的电磁兼容性 (EMC) 要求进行注册。该装置不仅可在住宅区内使用，还可在所有其它区域内使用。

尽管工具符合现有指令的严格要求，但 Hilti 仍无法完全排除工具因受到强电磁辐射干扰而导致不正确操作的可能性。当在这样的条件下工作或当您对结果不能确定时，可通过采用其它手段进行测量以检查工具的精度。类似地，Hilti 也不能排除工具干扰其它设备（例如飞机导航设备）的可能性。

5.4 2 级/II 级激光设备的激光级别

工具发射的激光属于 IEC825-3:2007/EN60825-3:2007 标准下的 2 级激光以及 CFR 21 § 1040 (FDA) 标准下的 II 级激光（取决于购买的版本）。工具无需进一步的保护措施就可以使用。当有人意外短暂看到光束时，睑闭反射会保护眼睛。然而，睑闭反射会受到药物、酒精或毒品的负面影响。尽管如此，和太阳一样，人不应直视明亮的光源。也不要将激光束对准他人。

5.5 电气



- 在运输工具之前必须将电池绝缘或将其拆下。
- 为了避免污染环境，必须按照当前适用的国家规定废弃处置本工具。若不能确定该如何处置，请咨询制造商。
- 将电池放到儿童接触不到的地方。
- 不要使电池过热且不要将其暴露在明火下。否则电池可能会爆炸或释放有毒物质。
- 不要给电池充电。
- 不要将电池焊接到工具中。
- 不要通过短路对电池放电，因为这可能会导致电池过热且有造成人员伤害（烧伤）的危险。
- 不要试图打开电池且不要让其承受过大机械应力。
- 不要使用已损坏的电池。
- 不要混用旧的和新的电池。不要混用不同品牌或类型的电池。

5.6 液体

如果持续滥用电池，则可能会造成液体从电池中泄漏出来。注意避免接触到液体。如果意外接触到液体，应用水冲洗。若液体接触到眼睛，应立即用大量清水冲洗，并立即就医。从电池中喷射出来的液体会导致疼痛或灼伤。

cn

6 在使用之前



6.1 插入电池 2

-危险-
只能使用新电池。

1. 打开电池盒。
2. 从包装中取出电池并将其插入工具。
-注意- 只能使用喜利得公司推荐的电池为本工具供电。
3. 检查并确认电池正负端子如工具下侧所示正确就位。
4. 关闭电池盒。检查并确认锁扣已正确接合。

cn

7 操作



-注意-
为了达到最大精度，将激光线投射到垂直、平整的表面上。在此期间，设置工具与表面成 90°。

7.1 操作

7.1.1 打开激光束

1. 将摆解锁。
2. 按一次或重复按打开/关闭按钮直到所需工作模式已设置。
-注意- 如果每次在 5 秒内再次按下打开/关闭按钮，则工具会根据下文所示的顺序在工作模式之间切换，然后再次从头开始。
垂直激光线
水平激光线
垂直和水平激光线

7.1.2 关闭工具/激光束

按下“打开/关闭”按钮，直至激光束不再可见且 LED 熄灭。

- 注意-
- 如果之前未按住打开/关闭按钮至少 5 秒，则工具可关闭。
 - 在大约 1 小时后，工具自动关闭。

7.1.3 停用自动关机功能

按住打开/关闭按钮大约 4 秒钟，直到激光束闪烁三次予以确认。

- 注意-
- 当再次按下打开/关闭按钮或当电池耗尽时，工具将关闭。

7.1.4 倾斜激光线功能

将摆锁止。
工具不能自动进行自调平。
激光束每 2 秒闪烁一次。

7.1.5 与 PMA 31 激光接收机一起使用本工具

欲了解更多信息，请参考 PMA 31 操作说明。

7.2 应用示例

-注意-
可调节撑脚可在非常不均匀的基底上大致预调平工具。

7.2.1 传送高度 3

7.2.2 测定隔断墙的轻隔墙轨迹 4 5

7.2.3 垂直对准管路 6

7.2.4 对准散热器 7

7.2.5 对准门和窗框 8

7.3 检查

7.3.1 检查垂准点 9

1. 在高度较高的房间 (例如楼梯井或走廊的高度为 5-10 m) 地面上做一个标记 (十字符号)。
2. 将工具置于平滑、水平表面上。
3. 解锁摆并打开工具。
4. 定位好工具，令其下部光束处于十字符号的中心。
5. 在天花板上标记激光线的顶部交点。在做标记之前，将一张纸贴在天花板上。
6. 将工具旋转 90°。
-注意- 下部垂准光束必须保持在十字符号的中心。在天花板上标记激光线的顶部交点。
7. 在将工具旋转 180° 和 270° 后分别重复上述步骤。
-注意- 产生的 4 个标记将形成一个圆周，其对角线 d1 (1 - 3) 和 d2 (2 - 4) 的交点正好标记出垂准点的中心。
9. 按照章节 7.3.1.1 所述计算精度。

7.3.1.1 精度计算

$$R = \frac{10}{RH [m]} \times \frac{(d1 + d2) [mm]}{4} \quad (1)$$

$$R = \frac{30}{RH [ft]} \times \frac{(d1 + d2) [inch]}{4} \quad (2)$$



对于由该公式 ($RH = \text{房间高度}$) 计算出的结果 (R), 请参考工具的精度“10 m 时的误差, 以 mm 计”(公式 (1))。结果 (R) 应在工具的规定范围内 (10 m 时的误差为 2 mm)。

7.3.2 检查水平激光束的调平情况

1. 将工具置于距墙壁 (A) 约 20 cm 的平滑、水平表面上, 并让激光束射向墙壁 (A)。
2. 在墙壁 (A) 上用十字符号 (1) 标记激光线的交点。
3. 在不使用可旋转壳体的情况下将整个工具旋转 180°, 然后在对面墙壁 (B) 上用十字符号 (2) 标记激光线的交点。
4. 将工具置于距墙壁 (A) 约 20 cm 的平滑、水平表面上, 并让激光束射向墙壁 (B)。
5. 在墙壁 (B) 上用十字符号 (3) 标记激光线的交点。
6. 在不使用可旋转壳体的情况下将整个工具旋转 180°, 然后在对面墙壁 (A) 上用十字符号 (4) 标记激光线的交点。
7. 测量 (1) 和 (4) 之间的距离 d_1 以及 (2) 和 (3) 之间的距离 d_2 。
8. 标记 d_1 和 d_2 的中点。
若参考点 1 和 3 位于中点的不同侧, 则用 d_1 减去 d_2 。
若参考点 1 和 3 位于中点的相同侧, 则将 d_1 和 d_2 相加。
9. 用该结果值除以房间长度的两倍 (房间长度 $\times 2$)。最大容许误差为 2 mm。

7.3.3 检查正交性 (水平)

1. 在房间中央距离墙壁约 5 m 处定位好工具, 让下部垂直光束处于参考十字符号的中心, 以便前部垂直激光线的中心正好落在第一块目标板 (a) 的垂直线上。
2. 将第二块目标板或纸张 (b) 贴在墙壁的中间位置 (如图示)。标记激光线的右侧交点 (d_1)。
3. 将工具精确地顺时针 (从上方看) 旋转 90°。参考点必须保持在参考十字符号的中心, 且随后激光线左侧交点必须正好落在目标板 (a) 的垂直线上。
4. 在目标板 (c) 上标记激光线的右侧交点 (d_2)。
5. 然后在目标板 (b) 上标记激光线前部交点的中心点 (d_3)。
-注意- 5 m 工作距离时 d_1 和 d_3 之间的水平距离必须小于 2 mm。
6. 将工具精确地顺时针 (从上方看) 旋转 180°。参考点必须保持在参考十字符号的中心, 且随后激光线右侧交点必须正好落在目标板 (a) 的垂直线上。

7. 然后在目标板 (c) 上标记激光线的左侧交点 (d_4)。
-注意- 工作距离为 5 m 时 d_2 和 d_4 之间的水平距离必须小于 2 mm。
-注意- 若 d_3 位于 d_1 的右侧, 则当工作距离为 5 m 时水平距离 d_1-d_3 和 d_2-d_4 的总和必须小于 2 mm。
-注意- 若 d_3 位于 d_1 的左侧, 则当工作距离为 5 m 时水平距离 d_1-d_3 和 d_2-d_4 之间的差值必须小于 2 mm。

7.3.4 检查水平线的精度

1. 将工具置于长度至少为 10 m 的房间边缘处。
-注意- 地面必须平滑且水平。
2. 打开所有激光束。
3. 在距离工具至少 10 m 处放置一块目标板, 以使激光线的前部交点落在目标板的中心 (d_0) 且目标板上的垂直线恰好穿过垂直激光线的中间。
4. 在地面上标记下部垂直光束的中点 (参考十字符号)。
5. 在不使用可旋转壳体的情况下, 将工具精确地顺时针 (从上方看) 旋转 45°。参考点必须保持在参考十字符号的中心。
6. 然后在目标板上标记水平激光线与目标板上垂直线的交点 (d_1)。
7. 在不使用可旋转壳体的情况下, 将工具精确地逆时针 (从上方看) 旋转 90°。参考点必须保持在参考十字符号的中心。
8. 然后在目标板上标记水平激光线与目标板上垂直线的交点 (d_2)。
9. 测量垂直距离: d_0-d_1 、 d_0-d_2 和 d_1-d_2 。
-注意- 工作距离为 10 m 时测得的最大垂直距离必须小于 4 mm。

7.3.5 检查垂直线

1. 将工具定位在 2 米的高度上。
2. 打开工具。
3. 将第一块目标板 T1 在同一高度 (2 米) 上 (垂直) 定位在距离工具 2.5 米处, 以便垂直激光束射向该板。标记该位置。
4. 然后将第二块目标板 T2 置于第一块目标板下方 2 米处, 以便垂直激光束射向该板。标记该位置。
5. 沿着激光线在距离工具 5 m 的地面上, 在工具安装点的相对侧标记位置 2 (与安装点成镜像)。
6. 现在将工具置于地面上刚刚标记的位置 2 处。将激光束引向目标板 T1 和 T2, 以便激光束射向它们并接近其中心线。
7. 读取与两块目标板的距离 D_1 和 D_2 (激光线与目标板中心的距离) 并计算差值 ($D = D_1 - D_2$)。
-注意- 务确保目标板相互平行, 且在同一垂直平面上。(平面定线可能会导致测量误差)。若差值 D 大于 2 mm, 则必须将工具返回至喜利得公司维修中心进行校准。

cn



8 维护和保养

8.1 清洁和干燥

1. 吹掉玻璃上的灰尘。
2. 不要用手指接触镜片。
3. 仅使用干净的软布进行清洁。必要时可用纯酒精或少量清水略微润湿软布。
-注意- 不可使用其它任何种类的清洁液进行清洁，否则可能会损坏塑料部件。
4. 当存放设备时，应遵循相关的温度限制。如果设备存放在车辆内部，则这一点在冬季/夏季尤其重要 (-25 °C 至 +60 °C)。

8.2 存放

如果设备变潮湿，则将其从箱中取出。然后应该对工具、工具箱和配件进行清洁和干燥 (最大 63°C)。只有工具完全干燥后，才可将其重新包装，然后存放到干燥的地方。在长时间存放或运输后，在投入使用前应检查设备的精度。
在长期存放之前，应从设备中取出电池。否则电池泄漏可能会损坏设备。

8.3 搬运

必须使用喜利得工具箱或同等质量的包装来搬运或运输您的设备。

-小心-
在运输工具之前一定要取下电池。

8.4 Hilti 校准服务

我们建议您通过 Hilti 校准服务定期检查本工具，以便按照标准和法规要求验证其可靠性。

Hilti 校准服务可随时提供，但是建议您至少每年对本工具进行一次检查。

Hilti 校准服务将在测试当日对工具是否符合操作说明中给出的规格予以确认。

如果发现偏离制造商的规格，则将重新调节工具。在检查和调节之后，将会用校准标签 (粘贴到工具上) 和校准证书书面确认工具符合制造商的规格。

已通过 ISO 900X 认证的公司将总是需要用到校准证书。

您当地的 Hilti 公司服务中心或代表将很乐意为您提供进一步的信息。

cn

9 故障排除

故障	可能原因	措施
本工具无法打开。	电池已耗尽。	更换电池。
	电池插入方向错误 (极性不正确)。	正确插入电池。
	电池室没有关闭。	关闭电池室。
	工具或打开/关闭按钮有故障。	必要时，应将电动工具送至喜利得公司维修中心进行维修。
单个激光束不起作用。	激光源或激光控制单元有故障。	必要时，应将电动工具送至喜利得公司维修中心进行维修。
工具可打开，但看不见激光束。	激光源或激光控制单元有故障。	必要时，应将电动工具送至喜利得公司维修中心进行维修。
	温度过高或过低。	让工具冷却或预热。
自动调平不起作用。	工具设置在过度倾斜的表面上。	将工具设置在水平表面上。
	倾斜传感器有故障。	必要时，应将电动工具送至喜利得公司维修中心进行维修。

10 废弃处置

-警告-

不正确地废弃处置设备可能会产生严重后果：

塑料部件燃烧会产生危害健康的有毒烟雾。

电池如果损坏或暴露在极高的温度下，可能会发生爆炸，从而导致中毒、烧伤、酸蚀或环境污染。

如果废弃处置疏忽，则可能会造成设备的未授权或不正确的继续使用，从而导致严重的人身伤害、第三方伤害和环境污染。



Hilti 工具或设备的大多数制作材料都可以回收利用。在可以回收之前，必须正确分离材料。在许多国家中，Hilti 公司已经对旧工具和设备的回收利用作了安排。有关进一步的信息，请咨询 Hilti 公司客户服务部门或 Hilti 公司代表。



仅限于欧洲国家

不要将电动设备与家用垃圾一起处理！

遵守欧洲指令和地区法律有关废弃电气和电子设备的规定，并且废弃处置的实施应该符合国家法律。必须单独收集已达到使用寿命期限的电气设备，并以环保的方式进行回收。



按照国家法规废弃处理电池。

cn

11 制造商保修 - 工具

Hilti 公司保证工具在出厂时不存在材料和制造工艺方面的缺陷。本保修有效的前提条件是：按照 Hilti 公司操作说明正确操作、处理、清洁和维护工具，并将工具维持在良好的技术状态。这意味着在工具中只能使用 Hilti 公司原装的损耗品、部件和备件。

本保修仅提供在工具整个预期使用寿命期间对有缺陷部件的免费维修或更换。如果部件由于正常磨损而需要进行修理或更换，则不在本保修范围内。

其它的索赔要求均不在本保修范围之内，除非客户所在国家的严格法律存在与此不同的规定。尤其需要强调的

是：Hilti 公司在任何情况下均不对因工具使用不当或无法使用而导致的或与之有关的直接性、间接性、偶然性、必然性的物品损坏、财产损失、额外费用负责。本保修范围特别排除商品适销性或特定用途适用性的默示担保。

如需进行修理或更换，在发现故障后应立即将工具或相关部件按照操作说明中提供的地址发送到当地 Hilti 公司营业机构。

以上条款构成了 Hilti 公司在产品保修方面的所有责任，并同时废止此前或同时期涉及到保修的所有口头或书面协议。



Hilti Corporation
LI-9494 Schaan
Tel.:+423 234 21 11
Fax:+423 234 29 65
www.hilti.group



Hilti = registered trademark of Hilti Corp., Schaan
W 4207 | 0413 | 00-Pos. 2 | 1
Printed in China © 2013
Right of technical and programme changes reserved S. E. & O.

2049370 / A4

