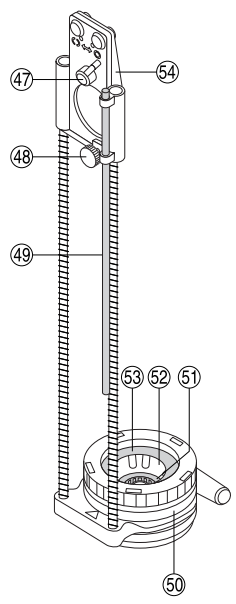
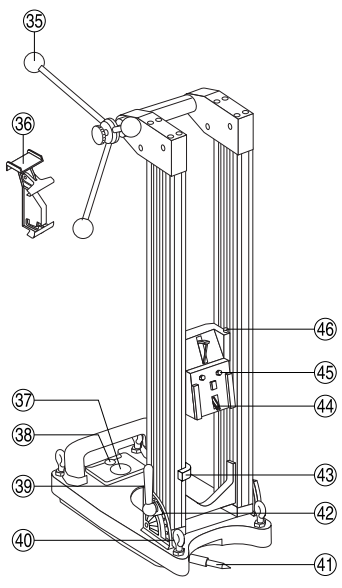
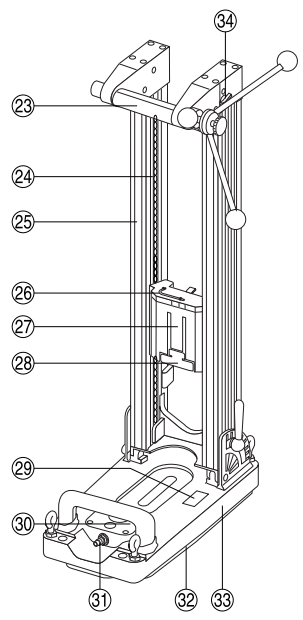
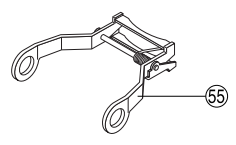
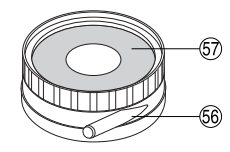
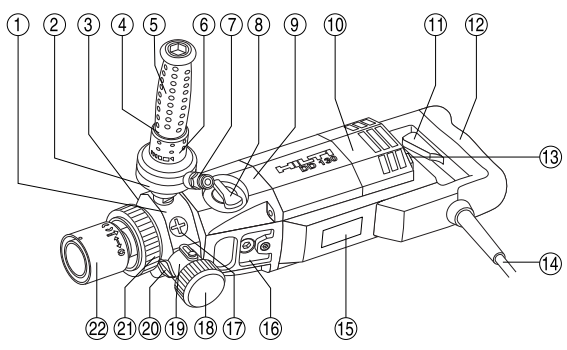


HILTI

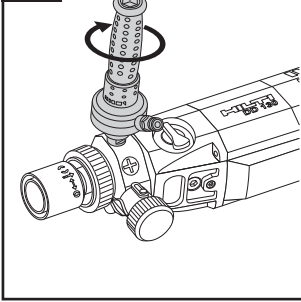
DD 130

Operating instructions	en
Brugsanvisning	da
Käyttöohje	fi
Bruksanvisning	no
Bruksanvisning	sv
Kasutusjuhend	et
Lietošanas pamācība	lv
Instrukcija	lt

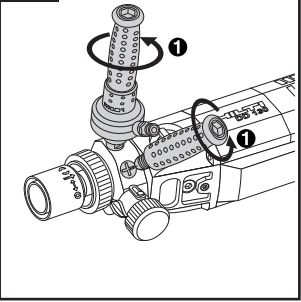




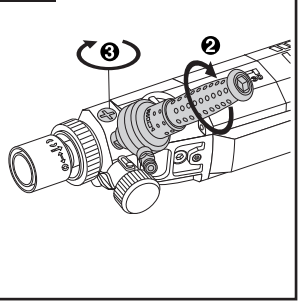
6.1.1



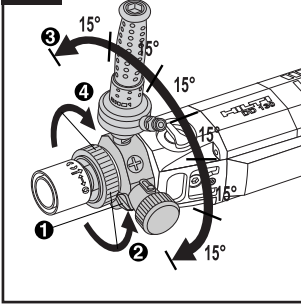
6.1.2



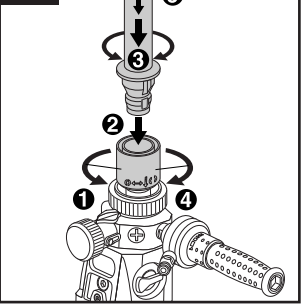
6.1.2



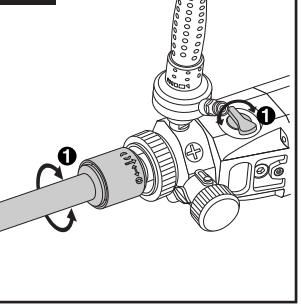
6.1.3



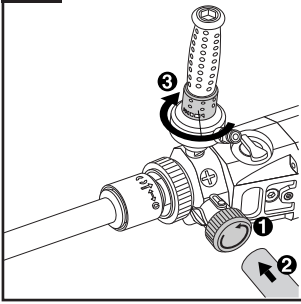
6.2



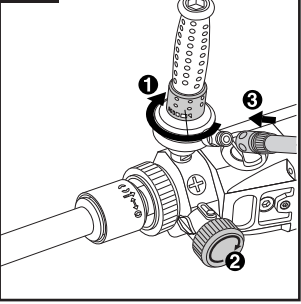
6.3



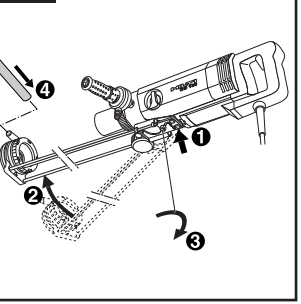
6.4.1



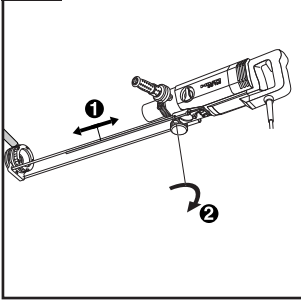
6.5.1



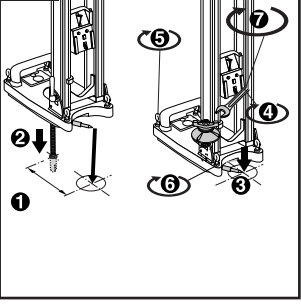
6.6.1



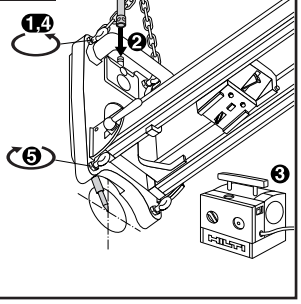
6.6.2

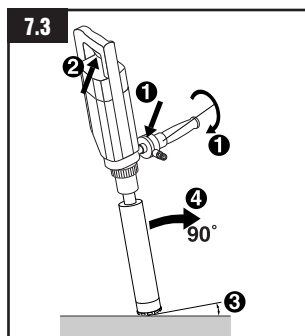
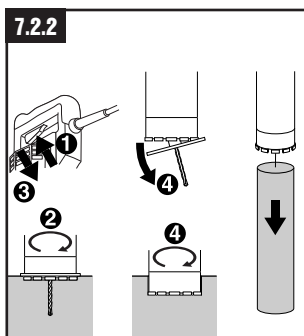
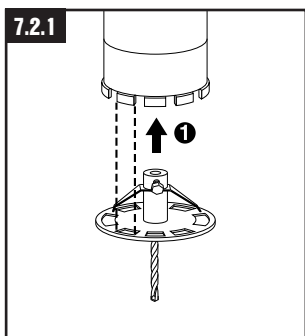
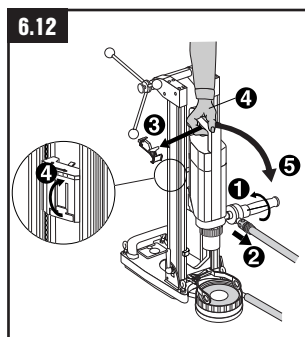
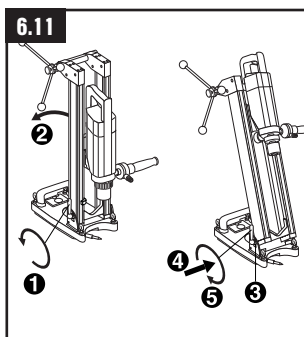
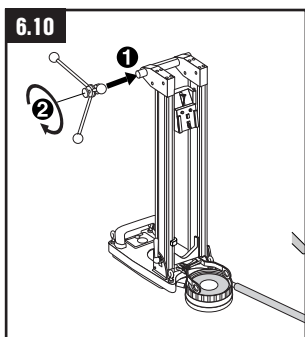
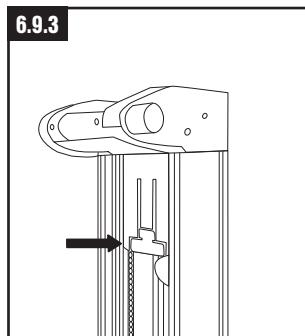
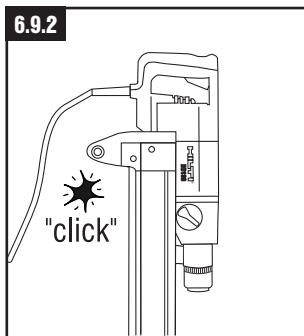
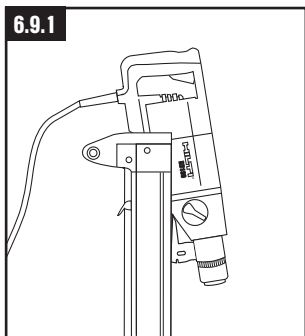
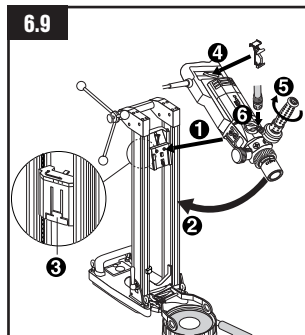
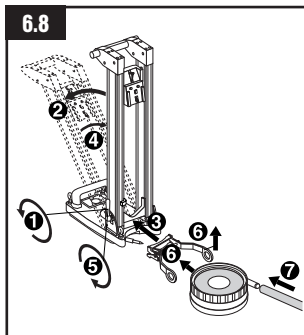
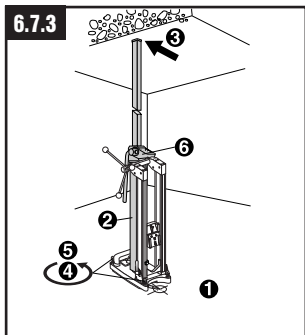


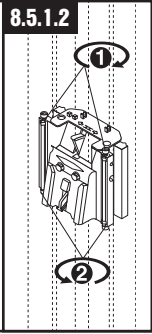
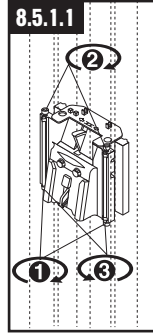
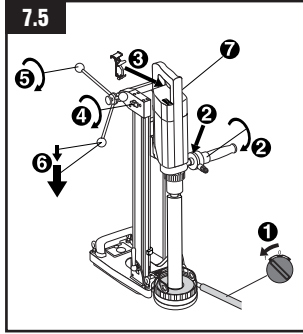
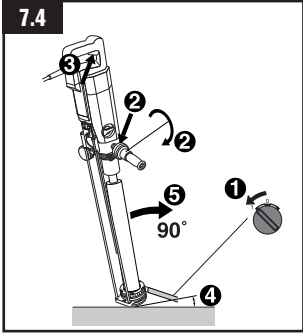
6.7.1



6.7.2







ORIGINAL OPERATING INSTRUCTIONS

DD 130 diamond core drilling machine

It is essential that the operating instructions are read before the tool is operated for the first time.

Always keep these operating instructions together with the tool.

Ensure that the operating instructions are with the tool when it is given to other persons.

Parts of the DD 130

Core drilling machine

- ① Water swivel / extraction head
- ② Water flow indicator
- ③ Level indicator
- ④ Screwdriver (side handle)
- ⑤ Side handle
- ⑥ Water flow regulator
- ⑦ Water hose connector
- ⑧ Gear selector
- ⑨ Gearing section
- ⑩ Motor
- ⑪ On / off switch
- ⑫ Grip
- ⑬ Overload indicator
- ⑭ Supply cord with PRCD
- ⑮ Rating plate
- ⑯ Interface plate
- ⑰ Screw plugs (water swivel / extraction head)
- ⑱ Cover (water swivel / extraction head)
- ⑲ Extraction connector
- ⑳ Water swivel lock
- ㉑ Locking ring (water swivel / extraction head)
- ㉒ Chuck

Drill stand

- ㉓ Grip
- ㉔ Chain
- ㉕ Columns
- ㉖ Hex. wrench
- ㉗ Carriage
- ㉘ Release lever
- ㉙ Specification plate
- ㉚ Vacuum release valve

- ㉛ Vacuum hose connector
- ㉜ Vacuum pad
- ㉝ Baseplate
- ㉞ Chain arrestor
- ㉟ Hand wheel
- ㊱ On / off switch lock
- ㊲ Pressure gauge
- ㊳ Level indicator
- ㊴ Adjusting lever
- ㊵ Levelling screws
- ㊶ Hole centre indicator
- ㊷ Locating lugs
- ㊸ Depth gauge
- ㊹ Locking mechanism
- ㊺ Mounting pins
- ㊻ Chain tensioner

Water collector for hand-held use

- ㊼ Securing knob
- ㊽ Clamping screw
- ㊾ Depth gauge
- ㊿ Water collector cup
- ① Centring ring
- ② Centring ring adaptor
- ③ Seal
- ④ Mounting plate

Water collector for use with the drill stand

- ⑤ Holder
- ⑥ Water collector cup
- ⑦ Seal

Contents

	Page
1. General information	2
2. Description	2
3. Tools and accessories	3
4. Technical data	3
5. Safety rules	5
6. Before use	7
7. Operation	10
8. Care and maintenance	12
9. Troubleshooting	13
10. Disposal	14
11. Manufacturer's warranty – tools	14
12. Declaration of conformity (original)	14

1. General information

1.1 Safety notices and their meaning

-DANGER-

Draws attention to imminent danger that will lead to serious bodily injury or fatality.

-WARNING-

Draws attention to a potentially dangerous situation that could lead to serious personal injury or fatality.

-CAUTION-

Draws attention to a potentially dangerous situation that could lead to slight personal injury or damage to the equipment or other property.

-NOTE-

Draws attention to an instruction or other useful information.

1.2 Pictograms

Warning signs



General warning



Warning: electricity



Warning: hot surface

Obligation signs



Wear eye protection



Wear a safety helmet



Wear ear protection



Wear safety gloves



Wear safety boots

Symbols



Read the operating instructions before use.



Return waste material for recycling.

A

Amps

V

Volts

W

Watts

Hz

Hertz

/min

Revolutions per minute

rpm

Revolutions per minute

~

Alternating current

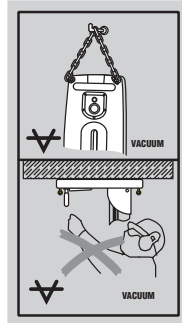
n₀

Nominal speed under no load

∅

Diameter

On the drill stand



Top
An additional means of securing the drill stand must be employed when used for horizontal drilling with vacuum attachment.

Bottom
The drill stand must be fastened by means of an anchor or quick-release brace when used for overhead drilling.

On the tool



Use of the water collector system in conjunction with a wet-type vacuum cleaner is mandatory when working overhead on ceilings.

1 These numbers refer to the corresponding illustrations. The illustrations can be found on the fold-out cover pages. Keep these pages open while studying the operating instructions.

In these operating instructions, the DD 130 core drilling machine is referred to as "the tool".

Location of identification data on the tool

The type designation and serial number can be found on the rating plate on the tool. Make a note of this data in your operating instructions and always refer to it when making an enquiry to your Hilti representative or service department.

Type: DD 130

Serial no.: _____

2. Description

The DD 130 is an electrically powered diamond core drilling machine designed for hand-held use or for mounting on a drill stand. It is suitable for wet or dry core drilling.

Use as intended

The DD 130 is designed for drilling through holes and blind holes in mineral materials.

Applications:

With / without drill stand	Core bit diameter	Drilling direction
Hand-held / dry	With dust extraction, 12–162 mm dia.	All directions
Hand-held / wet	Without water collection system, 12– 62 mm dia.	Not upwards
Hand-held / wet	With water collection system, 12– 62 mm dia.	All directions
Drill stand / wet	Without water collection system, 12–152 mm dia.	Not upwards
Drill stand / wet	With water collection system 12–132 mm dia.	All directions

When drilling in an upwards direction, a wet-type vacuum cleaner must be connected to the water collection system.

- Horizontal drilling with vacuum attachment is permissible only when an additional means of securing the drill stand is employed. The drill stand may be used for overhead drilling only when fastened by an anchor or by means of a quick-release brace.
- Drilling into materials containing asbestos is not permissible.
- Changes or modifications to the tool are not permissible.
- To avoid the risk of injury, use only original Hilti accessories and additional equipment.
- Observe the information printed in the operating instructions concerning operation, care and maintenance.
- The tool is intended for professional use.
- The tool may be operated, serviced and repaired only by authorised, trained personnel. This personnel must be informed of any special hazards that may be encountered.

- The tool and its accessories may, nevertheless, present hazards when used incorrectly by untrained personnel or when used not as directed.
- **The machine may be operated only when connected to an adequately-rated electric supply equipped with an earth (ground) conductor.**

Items supplied:

- Power tool
- Side handle
- Hilti toolbox or cardboard box
- Operating instructions
- Cleaning cloth
- Wrench SW 19
- Grease
- Protective glasses

3. Tools and accessories

Designation	Item no.
Vacuum pump	47034
Quick-release brace	9870
Water collector system for hand-held use	370462
Water collector system for drill stand use	370460
Drill stand	370461
Wheel assembly	232228
DD-CS M12S-SM clamping spindle	251830
DD-CN SML clamping nut	251834

4. Technical data

Nominal voltage: *	110 V	120 V	220 V	230 V	240 V
Nominal power:	1700 W	1800 W	1900 W	1900 W	1900 W
Nominal current: *	16 A	15 A	9.1 A	8.7 A	8.3 A
Frequency	50/60 Hz	50/60 Hz	50/60Hz	50/60Hz	50/60Hz

Nominal no-load speed	1 st gear	780 /min
	2 nd gear	1400 /min
	3 rd gear	2600 /min
		(Change gear only when rotation has stopped.)
Max. permissible water supply pressure:	6 bar (In the event of higher water pressure, a pressure reduction valve must be fitted at the building site connection.)	
Dimensions (L×W×H):	515×114×170 mm	
Weight as per EPTA-Procedure 01/2003:	7.3 kg	
Weight drill stand	13.1 kg	
Radio and television interference suppression	as per EN 55014-1	
Interference immunity:	as per EN 55014-2	
Protection class as per EN 60745 and IEC 60745:	Protection class I (earthed)	
Drilling depth:	max. 430 mm (730 mm with extension)	

-NOTE-

The vibration emission level given in this information sheet has been measured in accordance with a standardised test given in EN 60745 and may be used to compare one tool with another. It may be used for a preliminary assessment of exposure. The declared vibration emission level represents the main applications of the tool. However if the tool is used for different applications, with different accessories or poorly maintained, the vibration emission may differ. This may significantly increase the exposure level over the total working period. An estimation of the level of exposure to vibration should also take into account the times when the tool is switched off or when it is running but not actually doing the job. This may significantly reduce the exposure level over the total working period. Identify additional safety measures to protect the operator from the effects of vibration such as: maintain the tool and the accessories, keep the hands warm, organisation of work patterns.

Noise and vibration information (measured in accordance with EN 60745):

Typical A-weighted noise power level (L _{WA}):	100 dB (A)
Typical A-weighted noise emission pressure level (L _{pA}):	89 dB (A)

For the given sound power level as per EN 60745, the tolerance is 3 dB.

Wear ear protection!

Triaxial vibration information (measured in accordance with 60745-2-1 at the grips and in accordance with EN 61029 at the spider wheel)

Triaxial vibration values (vibration vector sum) EN 60745-2-1 (hand-held)

	Drilling into concrete (with water supply)	Drilling into sand-lime-block (HDMU, dry)	Drilling into sand-lime-block (PCM, dry)
Vibration a_h DD	5 m/s²	6 m/s²	11 m/s²
Uncertainty K	1.5 m/s ²	1.5 m/s ²	2.5 m/s ²

Triaxial vibration values (vibration vector sum) EN 61029, DD 130 rig (on drill stand)

	Drilling into concrete (with water supply)	Drilling into sand-lime-block (HDMU, dry)	Drilling into sand-lime-block (PCM, dry)
Vibration a_h DD	3.5 m/s²	–	–
Uncertainty K	1.5 m/s ²	–	–

Information for the user in accordance with EN 61000-3-11:

Switching on the tool may cause a brief voltage drop. Under unfavourable conditions in the mains supply, this may cause interference to other appliances. No interference is to be expected when the mains supply has an impedance of < 0.15 ohms.

* The tool is available in versions for various nominal voltages. Please refer to the rating plate for information on the nominal voltage and nominal current rating of the applicable tool.

Right of technical changes reserved

5. Safety rules

5.1 General safety rules

-WARNING- Read all instructions! Failure to follow all instructions listed below may result in electric shock, fire and/or serious injury. The term "power tool" in all of the warnings listed below refers to your mains operated (corded) power tool or battery operated (cordless) power tool.

SAVE THESE INSTRUCTIONS

5.1.1 Work area

- a) **Keep the work area clean and well lit.** Cluttered and dark areas invite accidents.
- b) **Do not operate power tools in explosive atmospheres, such as in the presence of flammable liquids, gases or dust.** Power tools create sparks which may ignite the dust or fumes.
- c) **Keep children and bystanders away while operating a power tool.** Distractions can cause you to lose control.

5.1.2 Electrical safety

- a) **Power tool plugs must match the outlet. Never modify the plug in any way. Do not use any adapter plugs with earthed (grounded) power tools.** Unmodified plugs and matching outlets will reduce risk of electric shock.
- b) **Avoid body contact with earthed or grounded surfaces such as pipes, radiators, ranges and refrigerators.** There is an increased risk of electric shock if your body is earthed or grounded.
- c) **Do not expose power tools to rain or wet conditions.** Water entering a power tool will increase the risk of electric shock.
- d) **Do not abuse the cord. Never use the cord for carrying, pulling or unplugging the power tool. Keep cord away from heat, oil, sharp edges or moving parts.** Damaged or entangled cords increase the risk of electric shock.
- e) **When operating a power tool outdoors, use an extension cord approved for outdoor use.** Use of a cord suitable for outdoor use reduces the risk of electric shock.

5.1.3 Personal safety

- a) **Stay alert, watch what you are doing and use common sense when operating a power tool. Do not use a power tool while you are tired or under the influence of drugs, alcohol or medication.** A moment of inattention while operating power tools may result in serious personal injury.
- b) **Use safety equipment. Always wear eye protection.** Safety equipment such as dust mask, non-skid safety shoes, hard hat, or hearing protection used for appropriate conditions will reduce personal injuries.
- c) **Avoid accidental starting. Ensure the switch is in**

the off position before plugging in. Carrying power tools with your finger on the switch or plugging in power tools that have the switch on invites accidents.

- d) **Remove any adjusting key or wrench before turning the power tool on.** A wrench or a key left attached to a rotating part of the power tool may result in personal injury.
- e) **Do not overreach. Keep proper footing and balance at all times.** This enables better control of the power tool in unexpected situations.
- f) **Dress properly. Do not wear loose clothing or jewellery. Keep your hair, clothing and gloves away from moving parts.** Loose clothes, jewellery or long hair can be caught in moving parts.
- g) **If devices are provided for the connection of dust extraction and collection facilities, ensure these are connected and properly used.** Use of these devices can reduce dust related hazards.

5.1.4 Power tool use and care

- a) **Do not force the power tool. Use the correct power tool for your application.** The correct power tool will do the job better and safer at the rate for which it was designed.
- b) **Do not use the power tool if the switch does not turn it on and off.** Any power tool that cannot be controlled with the switch is dangerous and must be repaired.
- c) **Disconnect the plug from the power source before making any adjustments, changing accessories, or storing power tools.** Such preventive safety measures reduce the risk of starting the power tool accidentally.
- d) **Store idle power tools out of the reach of children and do not allow persons unfamiliar with the power tool or these instructions to operate the power tool.** Power tools are dangerous in the hands of untrained users.
- e) **Maintain power tools. Check for misalignment or binding of moving parts, breakage of parts and any other condition that may affect the power tool's operation.** If damaged, have the power tool repaired before use. Many accidents are caused by poorly maintained power tools.
- f) **Keep cutting tools sharp and clean.** Properly maintained cutting tools with sharp cutting edges are less likely to bind and are easier to control.
- g) **Use the power tool, accessories and tool bits etc., in accordance with these instructions and in the manner intended for the particular type of power tool, taking into account the working conditions and the work to be performed.** Use of the power tool for operations different from those intended could result in a hazardous situation.

5.1.5 Service

- a) **Have your power tool serviced by a qualified repair person using only genuine replacement parts.** This

will ensure that the safety of the power tool is maintained.

5.2 Additional safety rules

5.2.1 Personal safety

- a) **Wear ear protection.** *Excessive noise may lead to a loss of hearing.*
- b) **Use the auxiliary handle supplied with the tool.** *Loss of control of the tool may lead to injury.*
- c) **The tool may be operated only when held in both hands or when mounted on the drill stand.** Ensure that the side handle is fitted correctly and tightened securely. Always hold the tool in both hands when it is in use.
- d) **Breathing protection must be worn when the tool is used without a dust removal system for work that creates dust.**
- e) **To avoid tripping and falling when working, always lead the supply cord, extension cord and dust extraction hose away from the rear.**
- f) **Take care to avoid tripping over the supply cord, extension cord or extraction hose.**
- g) **Avoid skin contact with drilling slurry.**
- h) **Ensure that the water swivel / extraction head (side handle mount) is properly secured in position and that the locking ring is tightened (see 6.1.3).**
- i) **Ensure that the tool is securely attached when mounted on the drill stand (see 6.9).**
- j) **Do not touch rotating parts.**
- k) **The tool is not intended for use by children, by debilitated persons or those who have received no instruction or training.**
- l) **Children must be instructed not to play with the tool.**
- m) **Dust from material such as paint containing lead, some wood species, minerals and metal may be harmful. Contact with or inhalation of the dust may cause allergic reactions and/or respiratory diseases to the operator or bystanders. Certain kinds of dust are classified as carcinogenic such as oak and beech dust especially in conjunction with additives for wood conditioning (chromate, wood preservative). Material containing asbestos must only be treated by specialists. Where the use of a dust extraction device is possible it shall be used. To achieve a high level of dust collection, use a suitable vacuum cleaner of the type recommended by Hilti for wood dust and/or mineral dust together with this tool. Ensure that the workplace is well ventilated. The use of a dust mask of filter class P2 is recommended. Follow national requirements for the materials you want to work with.**

5.2.2 Power tool use and care

- a) **Ensure that the insert tools used are equipped with the appropriate connection end system and that they are properly fitted and secured in the chuck.**
- b) **In the event of a power failure, switch the tool off**

and unplug the supply cord. *This prevents inadvertent starting when the power returns.*

- c) **Observe the instructions concerning care and maintenance and the replacement of core bits in good time.**
- d) **Hold tool by insulated gripping surfaces when performing an operation where the cutting tool may contact hidden wiring or its own cord.** *Contact with a "live" wire will make exposed metal parts of the tool "live" and shock the operator.*

5.2.3 Electrical safety

- a) **Before beginning work, check the working area (e.g. with a metal detector) to ensure that no concealed electric cables or gas and water pipes are present.** *External metal parts of the tool may become live if, for example, an electric cable is damaged inadvertently. This presents a serious risk of electric shock.*
- b) **Check the condition of the supply cord and its plug connections and have it replaced by a qualified electrician if damage is found. Check the condition of the extension cord and replace it if damage is found.** **Do not touch the supply in the event of it suffering damage while working. Disconnect the supply cord plug from the socket. Damaged supply cords and extension cords present a risk of electric shock.**
- c) **Dirty or dusty electric tools should thus be checked at a Hilti service center at regular intervals, especially if used frequently for working on conductive materials.** *Dust (especially dust from conductive materials) or dampness adhering to the surface of the tool may, under unfavorable conditions, present a risk of electric shock.*
- d) **If a PRCD is supplied with the power tool, never operate the power tool without the PRCD (GB version: never operate the power tool without the isolating transformer).**
- e) **Ensure that the tool is switched off (remove the switch lock insert) before switching on at the PRCD (ground fault interrupter). Test the PRCD each time before use (see 7.1).**

5.2.4 Work area

- a) **Ensure that the workplace is well lit.**
- b) **Ensure that the workplace is well ventilated.** *Poorly ventilated workplaces may be injurious to the health due to exposure to dust.*

5.2.5 Personal protective equipment

The user and any other persons in the vicinity must wear suitable safety goggles, a safety helmet, ear protection, safety gloves and safety boots while the tool is in operation.



5.2.6 Protective equipment

Never use the tool without the applicable protective equipment:

- Never operate the tool without the water swivel / extraction head.
- An additional means of securing the drill stand must be employed when used for horizontal drilling with vacuum attachment.
- The drill stand must be fastened by means of an anchor or quick-release brace when used for overhead drilling.
- Use of the water collector system in conjunction with a wet-type vacuum cleaner is mandatory when carrying out wet overhead drilling.

6. Before use

It is essential that the safety precautions printed in these operating instructions are read and observed.

-CAUTION-

Disconnect the tool from the mains supply.



If extension cables are used: Only extension cables of a type approved for the intended use and of adequate cross section may be used. Failure to observe this point may result in reduced performance and could cause the cable to overheat. Damaged extension cables must be replaced. The recommended cable cross-sections and maximum lengths are:

Mains voltage	Conductor cross-section		
	1.5 mm ²	2.0 mm ²	2.5 mm ² 3.5 mm ²
100 V		20 m	40 m
110–120 V	20 m		40 m
220–230 V	50 m		80 m

- CAUTION -	
	<ul style="list-style-type: none">■ The tool, the diamond core bit and the drill stand are heavy.■ There is a risk of pinching parts of the body.■ Wear a safety helmet, safety gloves and safety boots.
	
	
	

6.1 Side handle

6.1.1 Fitting the side handle

1. Screw the side handle onto the tool and tighten it securely.

6.1.2 Fitting the side handle in a different position

1. Remove the screw plug at the position where the side handle is to be fitted (e.g. for left-handed use). The grip at the end of the side handle can be unscrewed and used as a screwdriver.
2. Screw the side handle onto the tool at the desired position and tighten it securely.
3. Insert the screw plug in the exposed threaded hole.

6.1.3 Adjusting the extraction head / water swivel (and side handle)



1. Press the water swivel lock out of the gap between the locking ring and the water swivel/extraction head.
2. Release the locking ring between the chuck and side handle.

3. Move the side handle into the desired position (15° increments).
4. Tighten the locking ring securely until the teeth and the water swivel lock engage.

6.2 Fitting the diamond core bit

-CAUTION-

Use only original Hilti core bits and accessories!

-CAUTION-	
 	<ul style="list-style-type: none"> ■ The core bit may become hot during use or during sharpening. ■ It may burn your hands. ■ The cutting edges (segments) may cause injury. ■ Wear safety gloves when changing the core bit.







1. Open the chuck by turning it counter-clockwise (as seen from the front end of the chuck).
2. Insert the diamond core bit in the chuck.
3. Push the diamond core bit into the chuck and rotate the core bit until it engages.
4. Close the chuck by turning it clockwise (as seen from the front end of the chuck).
5. Check that the core bit is securely seated by gripping it and attempting to pull it away from the chuck.

6.3 Selecting the drilling speed (gear selector positions 1-2-3)





-CAUTION-

Do not operate the gear selector while the tool is running. Wait until rotation has stopped.

Hand-held use

	∅		
	mm	Inch	
 	40 - 62 12 - 37	1 5/8" - 2 1/2" 1/2" - 1 1/2"	II III
 	122 - 162 67 - 112 12 - 62	4 3/4" - 6 1/2" 2 5/8" - 4 1/4" 1/2" - 2 1/2"	I II III

Drill-stand use

	∅		
	mm	Inch	
 	57 - 152 28 - 52 12 - 25	2 1/4" - 6" 1 1/8" - 2" 1/2" - 1"	I II III

1. Select the gear according to the table on the tool.
2. Move the gear selector to the desired setting while rotating the core bit.

6.4 Dry drilling

6.4.1 Connecting the extraction system

1. Unscrew the cover from the water swivel / extraction head.
2. Insert the extraction hose in the extraction connection.
3. Close the water valve in the side handle.

6.5 Hand-held wet drilling

6.5.1 Connecting the water supply

1. Close the water valve in the side handle.
2. Close the cover on the dust extraction connection.
3. Connect the water supply hose (hose connector).

6.6 Hand-held wet drilling with the water collection system

6.6.1 Fitting the water collection system



Use of the water collection system permits water to be drained away from the core bit thus avoiding soiling the surrounding area. Best results are achieved in conjunction with a wet-type vacuum cleaner.

Use of the water collection system in conjunction with a wet-type vacuum cleaner is mandatory for overhead drilling. Position the side handle and water swivel / extraction head so that the water collection system can be fitted without obstruction. The centering ring and seal must be of a size suitable for the core bit diameter used.

1. From below the tool, position the water collection system on the two mounting pins.
2. Swing the water collection system towards the front.
3. Secure the water collection system by turning the knob.

4. Connect a wet-type vacuum cleaner to the front of the water collection system. Alternatively, the water can be allowed to flow away through a length of hose attached to the connector (not permissible for overhead drilling).

6.6.2 Adjusting the depth gauge

1. Set the depth gauge to the desired depth.
2. Use the clamping screw to secure the depth gauge.

6.7 Using the drill stand

6.7.1 Fastening the drill stand with an anchor

-WARNING-

Use an anchor suitable for the material on which you are working and observe the anchor manufacturer's instructions.

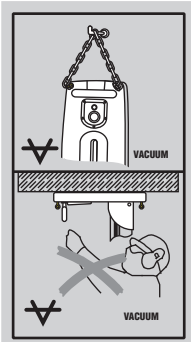
-NOTE-

Hilti M12 metal expansion anchors are usually suitable for fastening diamond core drilling equipment to uncracked concrete. Under certain conditions it may be necessary to use an alternative fastening method. Please contact Hilti Technical Service if you have any questions about secure fastening.

1. Set the anchor of a type suitable for the material on which you are working at a distance of 200 mm (ideally) from the center of the point where the hole is to be drilled.
2. Screw the quick-release spindle into the anchor.
3. Place the drill stand over the quick-release spindle and position it correctly with the aid of the hole center indicator.
4. Screw the nut onto the quick-release spindle but do not tighten it fully.
5. Use the four leveling screws to level the base plate. Check that all four leveling screws are in contact with the surface. The bubble level on the base plate serves as a leveling aid.
6. Lock the leveling screws by tightening the lock nuts.
7. Use an open-end wrench to tighten the lock nuts.
8. Check to ensure that the drill stand is fastened securely.

6.7.2 Securing the drill stand with the vacuum pad

A vacuum release valve is incorporated in the baseplate grip.



Overhead drilling with the drill stand attached only by vacuum is not permissible.

1. Unscrew the four levelling screws until they project approx. 5 mm beneath the baseplate.
2. Connect the hose between the vacuum connector on the baseplate and the vacuum pump.
3. Switch on the vacuum pump and extend the hole centre indicator. While pressing the vacuum release valve and observing the hole centre indicator, bring the baseplate into the desired position. When positioned correctly, press the baseplate against the work surface and remove your finger from the vacuum release valve. Before beginning drilling and during operation, it must be ensured that the pressure gauge pointer remains within the green area.
4. The four levelling screws should then be used to level the baseplate. The spirit level on the baseplate serves as a levelling aid.
5. Tighten the lock nuts to prevent further movement of the levelling screws.
6. An additional means of securing the drill stand must be employed when drilling horizontally (e.g. a chain attached to an anchor, ...)
7. Check to ensure that the drill stand is fastened securely.

6.7.3 Securing the drill stand with a quick-release brace (e.g. between floor and ceiling)

1. Extend the hole centre indicator and then use it as an aid to bring the drill stand into alignment with the centre point of the hole to be cored.
2. Position the end of the quick-release brace carefully in the inner oval of the baseplate (not on the level indicator or pressure gauge).
3. Secure the baseplate by applying slight pressure with the quick-release brace.
4. The four levelling screws should then be used to level the baseplate. The spirit level on the baseplate serves as a levelling aid.
5. Tighten the lock nuts to prevent further movement of the levelling screws.
6. Tighten the quick-release brace securely.
7. Check to ensure that the drill stand is fastened securely.

6.8 Water collection system for use with the drill stand

Use of the water collection system permits water to be drained away from the core bit thus avoiding soiling the surrounding area. Best results are achieved in conjunction with a wet-type vacuum cleaner.

Use of the water collection system in conjunction with a wet-type vacuum cleaner is mandatory for overhead drilling. The drill stand must be set up at 90° to the work surface.

The water collector sleeve and seal must be of a size suitable for the core bit diameter used.

1. Slacken the column adjusting lever until the locating lugs are disengaged.
2. Tilt the frame.

3. Fit the water collector holder.
4. Bring the frame back to the vertical position.
5. Close the adjusting levers until the locating lugs are fully engaged and the frame is again secured.
6. Lift the holder and push the water collector cup under the retainer as far as it will go.
7. Connect a wet-type vacuum cleaner to the water collector cup or connect a length of hose through which the water can flow away.

6.9 Mounting the tool on the drill stand

-CAUTION-

The release lever on the drill stand must be in the open position and the carriage should be at the top of its travel. The drilling advance mechanism must be locked (chain arrestor engaged).

1. Fit the tool interface plate onto the two mounting pins on the drill stand. **(6.9.1)**
2. Swing the tool briskly toward the drill stand. It should be heard to engage. **(6.9.2)**
3. Check the position of the release lever in order to ensure that the tool is engaged and attached securely to the drill stand. **(6.9.3)**
4. Insert the switch lock in the grip opening. The switch lock is used to hold the switch in the ON position during sustained operation.
5. Close the water valve in the side handle.
6. Connect the water supply.

6.10 Fitting the hand wheel

1. Fit the hand wheel onto the axle.
2. Secure the hand wheel by tightening the screw knob.
3. The hand wheel may be fitted on either side of the drill stand.

6.11 Adjusting the drill stand drilling angle

(In increments of 7.5°; adjustable to max. 45°)

1. Slacken the column adjusting levers until the locating lugs are disengaged.
2. Bring the columns into the desired position.
3. Engage the locating lugs.
4. Move the adjusting levers until the locating lugs are fully engaged and the frame is again secured.
5. Press in and pivot the adjusting levers to return them to the vertical position.

6.12 Removing the tool from the drill stand

-CAUTION-

The tool must be disconnected from the electric mains supply.

The drilling advance mechanism must be locked (chain arrestor engaged).

1. Close the water valve in the side handle.
2. Disconnect the water supply.
3. Remove the switch lock from the grip.
4. Hold the tool with one hand on the grip and release the lever on the drill stand.
5. Pivot the tool away from the drill stand.

7. Operation

7.1 Connect the tool to the electric mains supply


The voltage given on the rating plate must correspond to the voltage provided by the mains supply.



1. Check that the tool is switched off or, respectively, remove the switch lock.
2. Insert the supply cord plug in the mains socket.
3. Press the "ON" button on the PRCD ground fault interrupter (the lamp must light).
4. Press the "TEST" button on the PRCD ground fault interrupter (the lamp must not light).

-DANGER-

If the indicator continues to light, further operation of the machine is not permissible. Have the machine repaired by a qualified specialist using genuine Hilti spare parts.

5. Press the "ON" button on the PRCD ground fault interrupter (the lamp must light).

	-CAUTION-
	<ul style="list-style-type: none"> ■ The tool and the coring operation create noise. ■ Excessive noise may damage the hearing. ■ Wear ear protection.

 	-CAUTION-
	<ul style="list-style-type: none"> ■ The coring operation may cause hazardous fragments to fly off. ■ Flying fragments may cause injury to the eyes or other parts of the body. ■ Wear eye protection and a safety helmet.

7.2 Dry drilling

7.2.1 Fitting the hole-starting aid

A different hole-starting aid is required for each diamond core bit diameter.

1. Fit the hole-starting aid into the front end of the diamond core bit.

7.2.2 Vacuum cleaner with power socket for electric tools

The vacuum cleaner starts automatically after switching on the electric tool. Switching off the electric tool also causes the vacuum cleaner to be switched off after a short delay.

Switching on

1. Press the on / off switch on the tool.
2. With the hole-starting aid fitted, begin drilling and continue until the projecting segments have established a kerf in the base material.
3. Switch the tool off.

4. Remove the hole-starting aid and continue drilling.

Switching off

1. Switch the tool off.
2. Remove the core if necessary.

7.2.3 Vacuum cleaner without power socket for electric tools

Switching on

1. Switch the vacuum cleaner on.
2. Press the on / off switch on the tool.

Switching off

1. Switch the tool off.
2. Allow the vacuum cleaner to run for a short time in order to remove remaining dust before switching off.

7.3 Hand-held wet drilling

Switching on

1. Open the water valve in the side handle until the desired water volume flows. The water flow volume can be observed at the indicator on the hand grip.
2. Press the on / off switch
3. When starting a hole, hold the tool at a slight angle to the work surface. This makes hole-starting easier.
4. Once the hole has been started, bring the tool into the 90° position and continue drilling.

Switching off

1. Switch the tool off.
2. Close the water valve on the side handle.

7.4 Hand-held wet drilling using the water collection system

The crosshair marks at the front end of the water collection system serve as an accurate positioning aid.

Switching on

1. Switch on the water extraction system (if used).
2. Open the water valve on the side handle slowly until the desired water volume flows. Use the indicator on the side handle to check the water flow rate.
3. Press the on / off switch.
4. Hold the tool at a slight angle to the work surface when starting a hole. This makes hole-starting easier.
5. After starting the hole, bring the tool into the 90° position and continue drilling.

Switching off

1. Switch the tool off.

-WARNING-

When drilling overhead, any water remaining in the core bit must not be allowed to run down over the tool.

2. Close the water valve on the side handle.
3. Switch off the vacuum cleaner (if used).
4. Remove the core if necessary.

7.5 Wet drilling using the drill stand

Switching on

1. Switch on the (wet) vacuum cleaner (if used).

2. Open the water valve at the side handle slowly until the desired volume of water flows. The indicator at the side handle can be used to check the water flow rate.
3. Use the switch actuator to run the tool in sustained operation mode.
4. Release the chain arrestor.
5. Bring the core bit into contact with the work surface by turning the hand wheel.
6. Apply only slight pressure to the core bit when beginning drilling and then increase pressure once the core bit has become centred.
7. Keep an eye on the overload indicator while drilling. Pressure on the core bit must be reduced if the overload indicator lights.

Switching off

1. Close the water regulation valve at the side handle.
 2. Pull the core bit out of the hole.
 3. Engage the chain arrestor.
 4. Switch the tool off.
 5. Switch off the vacuum cleaner (if used).
 6. Remove the core if necessary.
 7. Switch the tool off.
- WARNING-**
When drilling overhead, any water remaining in the core bit must not be allowed to run down over the tool.
8. Ensure stability of the drill stand by lowering the tool and core bit to the baseplate.

7.6 Procedure in the event of the core bit sticking

The slip clutch will be activated if the core bit sticks. The power tool must then be switched off by the operator. To release the core bit, proceed as follows:

Using an open-end wrench to release the core bit

1. Disconnect the supply cord plug from the power outlet.
2. Grip the core bit close to the connection end with a suitable open-end wrench and rotate the core bit to release it.
3. Plug the supply cord back into the power outlet.
4. Continue the drilling operation.

Using the spider wheel to release the core bit (for use with the drill stand)

1. Disconnect the supply cord plug from the power outlet.
2. Release the core bit by rotating it with the spider wheel.
3. Plug the supply cord back into the power outlet.
4. Continue the drilling operation.

7.7 Transport and storage

-NOTE-

- Store and transport the power tool in its toolbox when possible.
- Open the water flow regulator before storing the power tool. Especially at temperatures below freezing, take care to ensure that no water remains in the power tool.

8. Care and maintenance

Disconnect the supply cord plug from the socket.

8.1 Care of core bits

Remove any dirt adhering to the core bits and protect their surfaces from corrosion by rubbing them with an oily cloth from time to time. Always keep the connection end clean and slightly greased.

8.2 Care of the tool

Check that the supply cord plug is disconnected.

-CAUTION-

Keep the power tool, especially its grip surfaces, clean and free from oil and grease. Do not use cleaning agents which contain silicone.

The outer casing of the tool is made from impactresistant plastic. Sections of the grip are made from a synthetic rubber material. Never operate the tool when the ventilation slots are blocked. Clean the ventilation slots carefully using a dry brush. Do not permit foreign objects to enter the interior of the tool. Clean the outside of the tool at regular intervals with a slightly damp cloth. Do not use a spray, steam pressure cleaning equipment or running water for cleaning. This may negatively affect the electrical safety of the tool.

Clean the chuck and the clamping segments with a cloth at regular intervals and lubricate these parts with Hilti lubricant spray. Remove any dirt and fragments from the chuck.

Remove the filter in the water intake at the side handle from time to time and rinse the filter sieve under running water in the direction opposite to the normal water flow.

If the water flow indicator has become dirty, remove and clean the parts. Do not use abrasive agents or sharp objects to clean the sight glass. This may negatively affect functionality of the water flow indicator.

8.3 Maintenance of the tool

Check all external parts of the tool for damage at regular intervals and check that all operating controls function faultlessly. Do not operate the tool when parts are damaged or when operating controls do not function faultlessly. The tool should be repaired at a Hilti service centre.

Repairs to the electrical section of the tool may be carried out by trained electrical specialists only.

8.4 Care of the drill stand

8.4.1 Care of the chain

Check the chain guides to ensure they remain clean and free from drilling slurry. The chain must always be protected by a film of grease.

8.5 Maintenance of the drill stand

8.5.1 Adjusting the movement

Movement should be easy but without play.

The movement can be adjusted by way of screws (2 at the top and 2 at the bottom).

8.5.1.1 Stiffer movement

1. Release the lower screw.
2. Tighten the upper screw as far as necessary.
3. Tighten the lower screw as far as it will go.

8.5.1.2 Easier movement

1. Release the upper screw.
2. Tighten the lower screw as far as it will go.

8.5.2 Adjusting the chain tension

When the carriage is in the end position, the chain should sag only slightly when running horizontally. Chain tension can be adjusted by way of two screws (chain symbol on the cover).

- Turning in a clockwise direction increases chain tension.
- Turning in a counter-clockwise direction decreases chain tension.

Both chains must be tensioned equally.

9. Troubleshooting

Fault	Possible cause	Remedy
The tool doesn't start.	Fault in mains supply	Plug in another electric appliance and check whether it works.
	Supply cord or plug defective	The cord should be checked and replaced if necessary by an electrical specialist.
	Switch defective	The switch should be checked and replaced if necessary by an electrical specialist.
Motor runs but the core bit doesn't rotate.	Gearing defective	The tool should be repaired at a Hilti service centre.
Rate of drilling progress decreases.	Water pressure / water flow rate too high	Regulate the water flow rate at the side handle.
	Core bit defective	Check the core bit for damage and replace it if necessary.
	Gearing defective	The tool should be repaired at a Hilti service centre.
	Core bit segments polished	Resharpener the core bit on a sharpening plate under water flow.
Motor cuts out.	Tool stops running.	Guide the tool straight.
	Tool has overheated. The motor's thermal overload protection has been activated.	Ease the load on the tool and allow it to run up to full speed by pressing the switch several times.
	Electronics defective	The tool should be repaired at a Hilti service centre.
	Cooling fan defective	The tool should be repaired at a Hilti service centre.
Water does not flow.	Filter or water flow indicator blocked	Remove the filter or water flow indicator and flush it through.
Water escapes at the gear housing.	Shaft seal / water swivel / extraction head defective	The tool should be repaired at a Hilti service centre.
The core bit cannot be inserted in the chuck.	Connection end or chuck dirty or damaged	Clean the connection end and chuck. Replace parts if necessary.
Water escapes at the chuck.	Connection end or chuck dirty	Clean the connection end and chuck.
	Chuck seal defective	Check the seal and replace it if necessary.
Excessive play in the drilling system.	Excessive play at the guides	Readjust the guides.
	Chain inadequately tensioned	Tension the chain.
	Pivot mechanism loose	Tighten the pivot mechanism adjusting lever (6.11).

10. Disposal



Most of the materials from which Hilti power tools are manufactured can be recycled. The materials must be correctly separated before they can be recycled. In many countries, Hilti has already made arrangements for taking back your old electric tools for recycling. Please ask your Hilti customer service department or Hilti sales representative for further information.

Disposal of drilling slurry

With regard to environmental aspects, allowing drilling slurry to flow directly into rivers, lakes or the sewerage system without suitable pre-treatment is problematical. Ask the local authorities for information about applicable regulations.

We recommend the following pre-treatment:

Collect the drilling slurry (e.g. use a wet-type industrial vacuum cleaner).

Allow the slurry to settle and dispose of the solid material at a construction waste disposal site (the addition of a flocculent may accelerate the settling process). Water from the drilling slurry (alkaline, pH value > 7) should be neutralized by adding an acidic neutralizing agent or large quantity of water before it is allowed to flow into the sewerage system.



Only for EU countries

Disposal of electric tools together with household waste is not permissible!

In observance of European Directive on waste electrical and electronic equipment and its implementation in accordance with national law, electric tools that have reached the end of their life must be collected separately and returned to an environmentally compatible recycling facility.

11. Manufacturer's warranty – tools

Hilti warrants that the tool supplied is free of defects in material and workmanship. This warranty is valid so long as the tool is operated and handled correctly, cleaned and serviced properly and in accordance with the Hilti Operating Instructions, and the technical system is maintained. This means that only original Hilti consumables, components and spare parts may be used in the tool.

This warranty provides the free-of-charge repair or replacement of defective parts only over the entire lifespan of the tool. Parts requiring repair or replacement

as a result of normal wear and tear are not covered by this warranty.

Additional claims are excluded, unless stringent national rules prohibit such exclusion. In particular, Hilti is not obligated for direct, indirect, incidental or consequential damages, losses or expenses in connection with, or by reason of, the use of, or inability to use the tool for any purpose. Implied warranties of merchantability or fitness for a particular purpose are specifically excluded.

For repair or replacement, send tool or related parts immediately upon discovery of the defect to the address of the local Hilti marketing organization provided.

This constitutes Hilti's entire obligation with regard to warranty and supersedes all prior or contemporaneous comments and oral or written agreements concerning warranties.

12. EC declaration of conformity (original)

Designation:	Diamond drilling machine
Type:	DD 130
Year of design:	2001

We declare, on our sole responsibility, that this product complies with the following directives and standards: until 2006/42/EC, 2004/108/EC, EN 61029-1, 2011/65/EU, EN ISO 12100.

**Hilti Corporation, Feldkircherstrasse 100,
FL-9494 Schaan**

Paolo Luccini
Head of BA Quality & Process Management
BA Electric Tools & Accessories
11/2009

Johannes W. Huber
Senior Vice President
BU Diamond
11/2009

Technical documentation filed at:
Hilti Entwicklungsgesellschaft mbH
Zulassung Elektrowerkzeuge
Hiltistrasse 6
86916 Kaufering
Deutschland

DD 130 Diamantboremaskine

Læs brugsanvisningen nøje, inden maskinen tages i brug første gang.

Opbevar altid brugsanvisningen sammen med maskinen.

Sørg for at brugsanvisningen altid følger med ved overdragelse af maskinen til andre.

Komponenter, DD 130

Diamantboremaskine

- ① Vandhoved / sugehoved
- ② Indikator for vandgennemstrømning
- ③ Niveauindikator
- ④ Skruetrækker (sidehåndtag)
- ⑤ Sidehåndtag
- ⑥ Vandregulering
- ⑦ Vandslangetilslutning
- ⑧ Gearvælger
- ⑨ Gearhus
- ⑩ Motor
- ⑪ Tænd-/sluk-knap
- ⑫ Greb
- ⑬ Overbelastningsindikator
- ⑭ Netkabel med fejlstrømsrelæ (PRCD)
- ⑮ Mærkeplade
- ⑯ Hurtigkobling
- ⑰ Skruerprop (vandhoved/sugehoved)
- ⑱ Dæksel (vandhoved/sugehoved)
- ⑲ Tilslutning, vandudsugning
- ⑳ Lås, vandhoved
- ㉑ Låsering (vandhoved / sugehoved)
- ㉒ Borepatron

Borestativ

- ㉓ Greb
- ㉔ Kæde
- ㉕ Søjler
- ㉖ Unbraconøgle
- ㉗ Slæde
- ㉘ Udløsergreb
- ㉙ Mærkeplade
- ㉚ Udløsningsventil, vakuum

- ㉛ Vakuumtilslutning
- ㉜ Vakuumtætning
- ㉝ Bundplade
- ㉞ Kædestop
- ㉟ Håndhjul
- ㊱ Kontaktflås
- ㊲ Vakuummeter
- ㊳ Libelle
- ㊴ Justeringshåndtag
- ㊵ Niveaujusteringssskrue
- ㊶ Indikator af hulcentrum
- ㊷ Gradinddeling
- ㊸ Dybdestop
- ㊹ Låsemekanisme
- ㊺ Monteringsstifter (hurtigkobling)
- ㊻ Kædespænder

Vandopsamler, håndholdt

- ㊼ Låseknap
- ㊽ Spændeskruer
- ㊾ Dybdestop
- ㊿ Vandopsamler
- ① Centreringsring
- ② Centreringsrings adapter
- ③ Tætning
- ④ Montageplade

Vandopsamler, borestativ

- ⑤ Holder
- ⑥ Vandopsamler
- ⑦ Tætning

Indholdsfortegnelse

	Side
1. Generel information	16
2. Beskrivelse	16
3. Værktøj og tilbehør	17
4. Tekniske data	17
5. Sikkerhedsforskrifter	19
6. Ibrugtagning	21
7. Betjening	24
8. Rengøring og vedligeholdelse	26
9. Fejlsøgning	27
10. Bortskaffelse	28
11. Producentgaranti – Produkter	28
12. EU-Konformitetserklæring (original)	28

1. Generel information

1.1 Signalord og deres betydning

-FARE-

Står ved en umiddelbart truende fare, der kan medføre alvorlige kvæstelser eller døden.

-ADVARSEL-

Advarer om en potentielt farlig situation, der kan forårsage alvorlige personskader eller døden.

-FORSIGTIG-

Advarer om en potentielt farlig situation, der kan forårsage lettere personskader eller materielle skader.

-BEMÆRK-

Står ved anvisninger om brug og andre nyttige oplysninger.

1.2 Symboler

Advarselssymboler



Generel fare



Advarsel: farlig elektrisk spænding



Advarsel: varm overflade

Obligatoriske symboler



Brug beskyttelsesbriller



Brug beskyttelsehjelm



Brug høreværn



Brug beskyttelsehandsker



Brug beskyttelsestøvsko

Symboler



Læs brugsanvisningen inden brug



Affald skal indleveres til genvinding på genbrugsstationen

A

Ampere

V

Volt

W

watt

Hz

hertz

/min

Omdrejninger pr. minut

rpm

Omdrejninger pr. minut

~

Vekselsstrøm

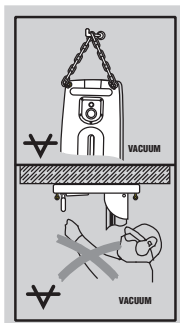
n₀

Nominelt omdrejningstal, ubelastet

∅

Diameter

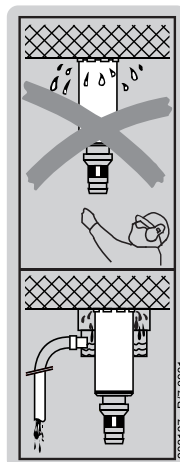
På borestativet



Overdel
Ved horisontalboring med vakuumbefæstigelse må borestativet ikke anvendes uden at være ekstra sikret/fastspændt

Bund
Ved boring over hovedet med borestativ skal dette fastgøres med ankre eller understøttes med teleskopstøtte.

På boremaskinen



Brug af vandopsamlingssystemet i forbindelse med en vandsuger er obligatorisk, når der arbejdes over hovedet på lofter.

1 Disse tal henviser til de tilsvarende illustrationer på omslaget. Hold omslaget opslået, når brugsanvisningen læses igennem.

I denne brugsanvisning bliver DD 130 diamanboremaskine efterfølgende benævnt "maskinen".

Placering af identifikationsoplysninger på maskinen
Typebetegnelse og serienummer findes på maskinens mærkeplade. Skriv disse oplysninger i brugsanvisningen og henvis til disse, når De henvender Dem til vores kundeservice eller værksted.

Type: DD 130

Serienummer: _____

2. Beskrivelse

DD 130 er en eldrevne diamanboremaskine beregnet til at anvendes håndholdt eller monteret på et borestativ. Den er egnet til våd- og tørboring.

Korrekt brug

DD 130 er beregnet til gennemboring og boring af ikke gennemgående huller (bundhul) i mineralske materialer.

Applikationer:

Med/uden borestativ	Diameter på borekrone		Boreretning
Hånd-holdt / tør	Med støvudsugning	12–162 mm dia.	Alle retninger
Hånd-holdt / våd	Uden vandopsamler	12– 62 mm dia.	Ikke opad
Hånd-holdt / våd	Med vandopsamler	12– 62 mm dia.	Alle retninger
Borestativ / våd	Uden vandopsamler	12–152 mm dia.	Ikke opad
Borestativ / våd	Med vandopsamler	12–132 mm dia.	Alle retninger

Når der bores i opadgående retning, skal der tilsluttes en vandsuger til vandopsamleren.

● Horisontal boring med vakuumbefæstigelse er kun tilladt, når borestativet er ekstra sikret/fastspændt. Borestativet må kun benyttes til boring over hovedet, hvis det er fastgjort med ankre eller med teleskopstøtte.

● Det er ikke tilladt at bore i materialer, der indeholder asbest.

● Det er ikke tilladt at ændre eller manipulere på maskinen.

● For at undgå personskaade, bør der kun anvendes originalt Hilti tilbehør og udstyr.

Overhold anvisningerne i brugsanvisningen med hensyn til rengøring og vedligeholdelse.

● Maskinen er beregnet til professionelt brug.

● Maskinen må kun betjenes af autoriseret og uddannet personale. Det samme gælder service og reparation. Dette personale skal være informeret om de mulige risici.

● Der kan opstå farlige situationer ved anvendelse af maskine og tilhørende udstyr, hvis den anvendes af per-

soner, der ikke er blevet undervist i dens brug, eller hvis den ikke anvendes korrekt i henhold til forskrifterne i denne brugsanvisning.

● **Maskinen må kun sluttes til net med beskyttelsesjording.**

Leverede komponenter

- Maskine
- Sidehåndtag
- Hilti-kuffert eller papemballage
- Brugsanvisning
- Rengøringsklud
- Spændenøgle SW 19
- Fedt
- Beskyttelsesbriller

3. Tilbehør

Betegnelse	Vare-nr.
Vakuumpumpe	47034
Teleskopstøtte	9870
Vandopsamler, håndholdt brug	370462
Vandopsamler, til borestativ	370460
Borestativ	370461
Hjul, komplet	232228
DD-CS M12S-SM hurtigspindel	251830
DD-CN SML spændemøtrik	251834

4. Tekniske data

Nominel spænding:*	110 V	120 V	220 V	230 V	240 V
Nominel effekt:	1700 W	1800 W	1900 W	1900 W	1900 W
Nominel mærkestrøm:*	16 A	15 A	9,1 A	8,7 A	8,3 A
Frekvens:	50/60 Hz	50/60 Hz	50/60 Hz	50/60 Hz	50/60 Hz

Nominal hastighed, ubelastet 1. gear	780 /min
2. gear	1400 /min
3. gear	2600 /min
	(skift kun gear når maskinen ikke roterer)
Max. tilladte tryk i vandledning:	6 bar (i tilfælde af højere vandtryk, skal der anvendes en trykreduktionsventil på byggepladsen)
Dimensioner (LxBxH):	515x114x170 mm
Vægt i henhold til EPTA-procedure 01/2003:	7,3 kg
Vægt, borestativ:	13,1 kg
Radio- og TV-støjdæmpet:	ifølge EN 55014-1
Beskyttelsesklasse:	ifølge EN 55014-2
Beskyttelsesklasse EN 60745 / IEC 60745:	Beskyttelsesklasse I (jordforbundet)
Boreddybde:	max. 430 mm (730 mm med forlænger)

-BEMÆRK-

Det vibrationsniveau, der angives i disse anvisninger, er målt med en målemetode, der opfylder bestemmelserne i EN 60745, og kan anvendes i forbindelse med en sammenligning af forskellige elværktøjer. Det kan også anvendes til en foreløbig vurdering af vibrationsbelastningen. Det angivne vibrationsniveau dækker de væsentlige anvendelsesformål for elværktøj. Hvis elværktøjet imidlertid anvendes til andre formål, med andre indsatsværktøjer eller utilstrækkelig vedligeholdelse, kan vibrationsniveauet afvige. Dette kan forøge vibrationsbelastningen i hele arbejdstiden markant. For at opnå en præcis vurdering af vibrationsbelastningen bør også den tid, hvor maskinen er slukket eller blot kører uden at blive anvendt, inddrages. Dette kan reducere vibrationsbelastningen i hele arbejdstiden markant. Fastlæg yderligere sikkerhedsforanstaltninger til beskyttelse af brugeren mod vibrationspåvirkninger, f.eks. er det vigtigt at vedligeholde elværktøj og indsatsværktøj, at holde hænderne varme og at organisere arbejdsprocesserne.

Støj- og vibrationsinformation (i henhold til EN 607454):

Værktøjets støjniveau (A-værdien) er normalt som følger:

Lydstyrkeniveau (L_{WA}):	100 dB (A)
Lydtryksniveau (L_{pA}):	89 dB (A)

For de nævnte støjniveauer iht. EN60745 er der en usikkerhed på 3dB.

Bær høreværn!

Triaksiale vibrationsværdier (målt iht. EN 60745-2-1 på håndtagene og iht. EN 61029 på drejekrydset)

Triaksiale vibrationsværdier (vibrationsvektorsum) EN 60745-2-1 (håndholdt)

	Boring i beton (med vandforsyning)	Boring i sandsten (HDMU, tør)	Boring i sandsten (PCM, tør)
Vibration $a_{h,DD}$	5 m/s²	6 m/s²	11 m/s²
Usikkerhed K	1,5 m/s ²	1,5 m/s ²	2,5 m/s ²

Triaksiale vibrationsværdier (vibrationsvektorsum) EN 61029, DD 130-stativ (stativbaseret)

	Boring i beton (med vandforsyning)	Boring i sandsten (HDMU, tør)	Boring i sandsten (PCM, tør)
Vibration $a_{h,DD}$	3,5 m/s²	–	–
Usikkerhed K	1,5 m/s ²	–	–

Brugerinformation i henhold til EN 6100-3-11:

At tænde for maskinen kan forårsage et kort fald i spændingen. I tilfælde af uregelmæssigheder i tilslutningsnettet kan dette forårsage forstyrrelser i andre maskiner eller udstyr. Har tilslutningsnettet en impedans på < 0,15 ohm vil der dog næppe opstå sådanne forstyrrelser.

* Maskinen findes i forskellige versioner beregnet til forskellig nominal spænding. Orienter Dem på maskinens mærkeplade mht. nominal spænding og nominal mærkestrøm.

Vi forbeholder os ret til tekniske ændringer.

5. Sikkerhedsforskrifter

5.1 Generelle sikkerhedsanvisninger

-ADVARSEL- Læs alle anvisningerne. I tilfælde af manglende overholdelse af nedenstående anvisninger er der risiko for elektrisk stød, alvorlige personskader, og der kan opstå brandfare. Det benyttede begreb "el-værktøj" refererer til nedrevne maskiner (med tilslutningsledning) og batteridrevne maskiner (uden tilslutningsledning).

DISSE ANVISNINGER BØR OPBEVARES FOR SENERE BRUG.

5.1.1 Arbejdsplads

- Sørg for, at arbejdsområdet er rent og ryddeligt.** *Uorden og uoplyste arbejdsområder øger faren for uheld.*
- Brug ikke maskinen i eksplosionstruede omgivelser, hvor der er brændbare væsker, gasser eller støv.** *El-værktøj kan slå gnister, der kan antænde støv eller dampe.*
- Sørg for, at andre personer og ikke mindst børn holdes væk fra arbejdsområdet, når maskinen er i brug.** *Hvis man distraheres, kan man miste kontrollen over maskinen.*

5.1.2 Personlig sikkerhed

- Maskinens stik skal passe til kontakten. Stikket må under ingen omstændigheder ændres. Brug ikke adapterstik sammen med jordforbundne maskiner.** *Uændrede stik, der passer til kontakterne, nedsætter risikoen for elektrisk stød.*
- Undgå kropskontakt med jordforbundne overflader som f.eks. rør, radiatorer, komfurer og køleskabe.** *Hvis din krop er jordforbundet, øges risikoen for elektrisk stød.*
- Maskinen må ikke udsættes for regn eller fugt.** *Indtrængning af vand i maskinen øger risikoen for elektrisk stød.*
- Brug ikke ledningen til formål, den ikke er beregnet til (f.eks. må man aldrig bære maskinen i ledningen, hænge maskinen op i ledningen eller rykke i ledningen for at trække stikket ud af kontakten).** *Beskyt ledningen mod varme, olie, skarpe kanter eller maskindele, der er i bevægelse. Beskadigede eller sammenviklede ledninger øger risikoen for elektrisk stød.*
- Hvis maskinen benyttes i det fri, må der kun benyttes en forlængerledning, der er godkendt til udendørs brug.** *Brug af forlængerledning til udendørs brug nedsætter risikoen for elektrisk stød.*

5.1.3 Personlig sikkerhed

- Det er vigtigt at være opmærksom, se, hvad man laver, og bruge maskinen fornuftigt.** *Man bør ikke bruge maskinen, hvis man er træt, har nydt alkohol eller er påvirket af medicin eller euforiserende stoffer. Få sekundær opmærksomhed ved brug*

af maskinen kan føre til alvorlige personskader.

- Brug beskyttelsesudstyr og hav altid beskyttelsesbriller på.** *Brug af sikkerhedsudstyr som f.eks. støvmaske, skridsikkert fodtøj, beskyttelseshjelm eller høreværn afhængig af maskintype og anvendelse nedsætter risikoen for personskader.*
- Undgå utilsigtet igangsætning. Kontrollér altid, at afbryderen står på OFF, før stikket sættes i.** *Undgå at bære maskinen med fingeren på afbryderen og sørg for, at maskinen ikke er tændt, når den sluttes til nettet, da dette øger risikoen for personskader.*
- Fjern indstillingsværktøj eller skruenøgle, inden maskinen tændes.** *Hvis et stykke værktøj eller en nøgle sidder i en roterende maskindel, er der risiko for personskader.*
- Overvurder ikke dig selv. Sørg for at stå sikkert, mens der arbejdes, og kom ikke ud af balance.** *Det er derved nemmere at kontrollere maskinen, hvis der skulle opstå uventede situationer.*
- Brug egnet arbejdstøj. Undgå løse beklædningsgenstande eller smykker.** *Hold hår, tøj og handsker væk fra dele, der bevæger sig. Dele, der er i bevægelse, kan gribe fat i løstsiddende tøj, smykker eller langt hår.*
- Hvis støvudsugnings- og opsamlingsudstyr kan monteres, er det vigtigt, at dette tilsluttes og benyttes korrekt.** *Brug af dette udstyr nedsætter risikoen for personskader som følge af støv.*

5.1.4 Omhyggelig omgang med og brug af el-værktøj

- Undgå overbelastning af maskinen. Brug altid en maskine, der er beregnet til det stykke arbejde, der skal udføres.** *Med den rigtige maskine arbejder man bedst og mest sikkert inden for det angivne effektområde.*
- Brug ikke en maskine, hvis afbryder er defekt.** *En maskine, der ikke kan startes og stoppes, er farlig og skal repareres.*
- Træk stikket ud af stikkontakten, inden maskinen indstilles, der skiftes tilbehørsdele, eller maskinen lægges fra.** *Disse sikkerhedsforanstaltninger forhindrer utilsigtet start af maskinen.*
- Opbevar ubenyttet el-værktøj uden for børns rækkevidde.** *Lad aldrig personer, der ikke er fortrolige med maskinen eller ikke har gennemlæst sikkerhedsanvisningerne, benytte maskinen. El-værktøj er farligt, hvis det benyttes af ukyndige personer.*
- Maskinen bør vedligeholdes omhyggeligt. Kontrollér, om bevægelige dele fungerer korrekt og ikke sidder fast, og om delene er brækket eller beskadiget, således at maskinens funktion påvirkes.** *Få beskadigede dele repareret, inden maskinen tages i brug. Mange uheld skyldes dårligt vedligeholdte maskiner.*
- Sørg for, at skæreværktøjer er skarpe og rene.** *Omhyggeligt vedligeholdte skæreværktøjer med*

skarpe skærekanter sætter sig ikke så hurtigt fast og er nemmere at fjerne.

- g) Brug el-værktøj, tilbehør, indsatsværktøj osv. iht. disse instrukser, og sådan som det kræves for denne specielle værktøjstype. Tag hensyn til arbejdsforholdene og det arbejde, der skal udføres. I tilfælde af anvendelse af værktøjet til formål, som ligger uden for det fastsatte anvendelsesområde, kan der opstå farlige situationer.

5.1.5 Service

- a) Sørg for, at maskinen kun reparerer af kvalificerede fagfolk, og at der kun benyttes originale reservedele. Dermed sikres størst mulig maskinsikkerhed.

5.2 Produktspecifikke sikkerhedsanvisninger

5.2.1 Personlig sikkerhed

- a) Brug høreværn. Larmen kan forårsage høreskader.
- b) Brug de ekstra håndgreb, der leveres med apparatet. Hvis du mister kontrollen over apparatet, kan det medføre personsikkerhed.
- c) Hold fast i maskinen med begge hænder eller installer den i borestativet. Sørg for at sidehåndtaget er monteret korrekt og sidder rigtigt fast. Hold fast på maskinen med begge hænder under brug.
- d) Hvis maskinen anvendes uden støvudsugning, skal du bruge åndedrætsværn.
- e) Sørg altid for, at elledning, forlængerledning og udsugningsslange holdes bag maskinen for at undgå faren for at falde under arbejdet.
- f) Vær opmærksom, så de ikke falder over elkabel, forlængerkabel eller slange.
- g) Undgå hudkontakt med boreslam.
- h) Sørg for at vandhovedet/sugehovedet sidder korrekt og ordentligt og at låseringen er fastspændt (se 6.1.3).
- i) Kontroller, at maskinen sidder sikkert fast ved montage på borestativet (se 6.9).
- j) Rør ikke ved roterende dele.
- k) Maskinen må ikke anvendes af børn eller svagelegende personer, der ikke er instrueret i brugen.
- l) Børn bør gøres opmærksomme på, at de ikke må lege med maskinen.
- m) Støv fra materialer såsom blyholdig maling, visse træsorter, mineraler og metal kan være sundhedsfarlige. Berøring eller indånding af støv kan medføre allergiske reaktioner og/eller luftvejssygdomme hos brugeren eller personer, der opholder sig i nærheden. Bestemte støvtyper, f.eks. støv fra ege- og bøgetræ, er kræftfremkaldende, især i forbindelse med tilsætningsstoffer til træbehandling (kromat, træbeskyttelsesmidler). Asbestholdige materialer må kun bearbejdes af fagfolk. Anvend så vidt muligt støvudsugning. For at sikre en effektiv støvudsugning anbefales det at anvende en egnet mobil støvudsugning anbefalet af Hilti til træ-

og/eller mineralstøv, som er tilpasset til det pågældende elværktøj. Sørg for god udluftning af arbejdspladsen. Det anbefales at bruge åndedrætsværn med filterklasse P2. Overhold de gældende nationale forskrifter vedrørende de materialer, der skal bearbejdes.

5.2.2 Omhyggelig omgang med og brug af el-værktøj

- a) Kontrollér, at værktøjet passer til maskinens værktøjsholder, og at det er låst korrekt fast i værktøjsholderen.
- b) Ved strømafbrydelse: Sluk maskinen, og træk stikket ud. Dette forhindrer utilsigtet igangsætning af maskinen, når spændingsforsyningen igen fungerer.
- c) Overhold anvisningerne mht. rengøring og vedligeholdelse og udskiftning af bor i god tid.
- d) Hold kun fat i maskinen på de isolerede håndtag, hvis der er risiko for at kunne beskadige skjulte elektriske ledninger og kabler med værktøjet. Hvis der opstår kontakt med en strømførende ledning, sættes maskinens uisolerede metaldele under spænding, og brugeren kan få elektrisk stød.

5.2.3 Personlig sikkerhed

- a) Kontrollér før arbejdets begyndelse arbejdsområdet for skjulte elledninger samt skjulte gas- og vandrør, f.eks. ved hjælp af en metaldetektor. Udvendige metaldele på maskinen kan være spændingsførende, f.eks. hvis du utilsigtet har beskadiget en elledning. Disse dele udgør en alvorlig fare, da de kan give elektrisk stød.
- b) Kontrollér jævnligt maskinens elledning, og lad en fagmand udskifte ledningen, hvis den bliver beskadiget. Kontrollér jævnligt forlængerledningerne, og udskift dem, hvis de er beskadigede. Hvis el- eller forlængerledningen bliver beskadiget under arbejdet, må du ikke røre ved ledningen. Træk stikket ud. Beskadigede netledninger og forlængerledninger udgør en fare, da de kan give elektrisk stød.
- c) Lad derfor jævnligt Hilti kontrollere snavsede maskiner, især hvis de ofte bruges til at save i elektrisk ledende materialer. Hvis der sidder støv, først og fremmest fra ledende materialer, på maskinens overflade, eller den er fugtig, er der under uheldige omstændigheder risiko for at få elektrisk stød.
- d) Brug aldrig maskinen uden den medfølgende PRCD (til GB-versionen aldrig uden skilletrafo). Kontrollér altid PRCD før brug.
- e) Sørg for at der er slukket for maskinen (fjern låsen til tænd-/sluk-knappen) inden PRCD (fejlstømsrelæ) sættes til. Test fejlstømsrelæ hver gang inden brug (se 7.1)

5.2.4 Arbejdsplads

- a) Sørg for god belysning på arbejdspladsen.

- b) **Sørg for god udluftning af arbejdspladsen.** Arbejdspladser med dårlig udluftning kan medføre helbredsskader som følge af eksponering for støv.

5.2.5 Personligt beskyttelsesudstyr

Brugeren og personer, der opholder sig i nærheden, skal under arbejdet med maskinen bære egnede beskyttelsesbriller, beskyttelseshjelm, høreværn, beskyttelseshandsker og sikkerhedssko.



5.2.6 Beskyttelsesudstyr

Benyt aldrig maskinen uden beskyttelsesanordningerne:

- Anvend aldrig maskinen uden vandhoved / sugehoved.

- Det er nødvendigt at yderligere sikre borestativets fastgørelse ved horisontal boring med vakuumfastgørelse.

- Borestativet skal fastgøres ved hjælp af et anker eller teleskopstøtte, når der bores over hovedet.

- Det er påkrævet at anvende vandopsamlere sammen med en vandsuger når der udføres vådboring over hovedet.

6. Ibrugtagning

Det er vigtigt, at sikkerhedsforskrifterne i denne brugsanvisning læses og overholdes.

-FORSIGTIG-

Maskinen må ikke være tilsluttet strømmen.



Ved anvendelse af forlængerkabler: Der må kun anvendes kabler godkendt til dette brug og med et tilstrækkeligt tværsnit. Hvis dette ikke overholdes kan kapaciteten dale eller kablet kan blive overophedet. Beskadigede forlængerkabler skal udskiftes. De anbefalede kabeltværsnit og max. kabellængder er:

Netspænding	Kabeltværsnit		
	1,5 mm ²	2,0 mm ²	2,5 mm ² 3,5 mm ²
100 V		20 m	40 m
110 V	20 m		40 m
220-230 V	50 m		80 m

 	-FORSIGTIG-
	<ul style="list-style-type: none"> ■ Maskinen, diamantbor og borestativet er tungt. ■ Legemsdele kan komme i klemme. ■ Bær sikkerhedshjelm, beskyttelseshandsker og sikkerhedssko.

6.1 Sidehåndtag

6.1.1 Montering af sidehåndtag

1. Skru sidehåndtaget fast på værktøjet og spænd det godt fast.

6.1.2 Montering af sidehåndtag i en anden position

1. Fjern bundskruen der hvor sidehåndtaget skal monteres (fx. til venstrehåndede). Grebet i enden af sidehåndtaget kan skrues af og anvendes som skrue-trækker.
2. Skru sidehåndtaget på værktøjet i den ønskede position og spænd det godt fast.
3. Sæt bundskruen i det tomme hul.

6.1.3 Justering af sugehoved / vandhoved (og sidehåndtag)

1. Tryk på låsen til vandhovedet imellem låseringen og vandhovedet / sugehovedet.
2. Låseringen løsnes mellem borepatronen og sidehåndtaget.
3. Drej sidehåndtaget til den ønskede position (15° interval).

- Spænd låseringen godt fast indtil fortanding og låsen til vandhovedet griber ind i hinanden.

6.2 Sætte diamantbor i

-FORSIGTIG-

Anvend kun originale Hilti diamantbor og tilbehør!

-FORSIGTIG-	
	<ul style="list-style-type: none"> ■ Boret kan blive varmt under arbejdet eller ved slibning. ■ Berøring kan give forbrænding på hænderne. ■ Man kan skære sig på den skærende kant (segmentet). ■ Anvend beskyttelseshandsker, når boret skal udskiftes.

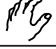




- Åbn borepatronen ved at dreje den mod uret (set forfra).
- Sæt diamantboret i borepatronen.
- Skub diamantboret ind i borepatronen og drej borekronen indtil den falder i hak.
- Luk borepatronen ved dreje den med uret (set forfra).
- Kontroller om boret sidder ordentligt fast ved at forsøge at trække det ud af borepatronen.

6.3 Valg af borehastighed/omdrejningshastighed (indstilling af gear 1-2-3)





-FORSIGTIG-

Skift ikke gear når maskinen kører. Vent til rotationen er fuldstændigt stoppet.

Håndholdt:

	Ø		
	mm	Inch	
 	40 - 62	1 5/8" - 2 1/2"	II
	12 - 37	1/2" - 1 1/2"	III
	122 - 162	4 3/4" - 6 1/2"	I
	67 - 112	2 5/8" - 4 1/4"	II
	12 - 62	1/2" - 2 1/2"	III

Borestativ:

	Ø		
	mm	Inch	
 	57 - 152	2 1/4" - 6"	I
	28 - 52	1 1/8" - 2"	II
	12 - 25	1/2" - 1"	III

- Vælg gear ud fra tabellen på maskinen.
- Drej gearskifteren til den ønskede position og rotér samtidigt borekronen.

6.4 Tørborring

6.4.1 Tilslutning af udsugningssystem

- Drej dækslet af vandhovedet / sugehovedet.
- Sæt sugeslangen i udsugningstilslutningen.
- Luk for vandventilen i sidehåndtaget.

6.5 Vådboring, håndholdt

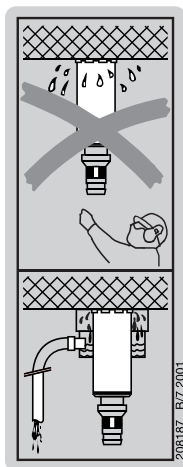
6.5.1 Tilslutte vandforsyning

- Luk for vandventilen i sidehåndtaget.
- Luk dækslet på støvudsugningstilslutningen.
- Tilslut vandslangen ved slangetilslutningen.

6.6 Håndholdt vådboring med vandopsamler

6.6.1 Montering af vandopsamler

Ved anvendelse af vandopsamler kan vandet ledes bort fra boret og derved undgår man at forurene omgivelserne. Det bedste resultat opnås ved også at anvende en vandsuger.



Anvendelse af vandopsamler sammen med en vandsuger er et krav ved boring over hovedet. Placer sidehåndtag og vandhoved / sugehoved således at vandopsamleren kan monteres uden problemer. Centreringsring og tætning skal have en størrelse som passer til diamantborets diameter.

- Vandopsamleren fastgøres på de to monteringsstifter på maskinens underside.
- Sving vandopsamleren opad og fremad.
- Lås vandopsamleren ved at dreje på håndtaget.
- Tilslut en vandsuger forrest på vandopsamleren. Eller lad vandet løbe væk via en tilsluttet slange (ikke tilsluttet ved boring over hovedet).

6.6.2 Justering af dybdestop

1. Indstil dybdestoppet til den ønskede position.
2. Fiksér dybdestoppet med spændeskruen.

6.7 Anvendelse af borestativ

6.7.1 Fastgørelse af borestander med en dyvel

-ADVARSEL-

Anvend en dyvel, der egner sig til det pågældende underlag, og overhold dyvelproducentens monteringsanvisninger.

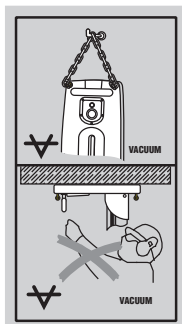
-BEMÆRK-

Hilti slaganker, M12, egner sig sædvanligvis til fastgørelse af diamantkerneborsudstyri ikke-revnet beton. Alligevel kan en alternativ fastgørelse blive nødvendig under bestemte betingelser. I tilfælde af spørgsmål vedrørende sikker fastgørelse bedes du kontakte Teknisk service hos Hilti.

1. Inddriv den til underlaget egnede dyvel 200 mm (om muligt) fra boremidten.
2. Skru hurtigspændespindlen i dyvlen.
3. Anbring borestanderen over hurtigspændespindlen, og juster den på plads med bormidteindikatoren.
4. Skru møtrikken på hurtigspændespindlen, uden at spænde den helt fast.
5. Niveller pladen med de fire nivellerskruer. Kontrollér, at nivellerskruerne hviler mod underlaget. Vaterspaset på grundpladen fungerer som indstillingshjælp.
6. Bloker nivelleringskruerne med kontramøtrikkerne.
7. Spænd møtrikken med en gaffelnøgle.
8. Kontrollér, at borestanderen er sikkert fastgjort.

6.7.2 Fastgør borestativet med vakuum

En vakuumventil er integreret i bundpladens håndtag.



Boring over hovedet, hvor borestativet kun er fastgjort med vakuum, er ikke tilladt.

1. De fire niveaujusteringsskruer skrues løs indtil de rager ca. 5 mm ud fra bundpladen.
2. Tilslut slangen mellem vakuumtilslutningen på bundpladen og vakuumpumpen.
3. Tænd for vakuumpumpen og klap indikatoren for hullets centrum ud. Imens der trykkes på vakuumventi-

len, holder man øje med indikatoren for hullets centrum og bringer bundpladen i den ønskede position. Når bundpladen står som den skal, presses den imod overfladen og trykket på vakuumventilen lettes. Inden boringen påbegyndes og under arbejdet skal det hele tiden kontrolleres, at viseren i vakuummeteret holder sig inden for det grønne felt.

4. Med de fire niveaujusteringsskruer bringes bundpladen i vater. Libellen på bundpladen gør det lettere at bringe bundpladen i niveau.
5. Spænd låsemøtrikkerne for at undgå at niveaujusteringsskruerne bevæger sig yderligere.
6. Ved horisontal boring er det nødvendigt at fastgøre borestativet yderligere (fx. en kæde fastgjort med anker, ...).
7. Kontrollér, at borestativet er sikkert fastgjort.

6.7.3 Fastgør borestativet med teleskopstøtte

(fx. imellem gulv og loft)

1. Klap indikatoren for hullets centrum ud og brug den til at få stillet borestativet korrekt i forhold til centrum på det hul som skal bores.
2. Placer enden af teleskopstøtten forsigtigt i bundpladens indre oval (ikke på niveauindikatoren eller vakuummeteret).
3. Fiksér bundpladen ved at trykke let på teleskopstøtten.
4. Med de fire niveaujusteringsskruer bringes bundpladen i vater. Libellen på bundpladen gør det lettere at bringe bundpladen i niveau.
5. Spænd låsemøtrikkerne for at undgå at niveaujusteringsskruerne bevæger sig yderligere.
6. Spænd teleskopstøtten sikkert fast.
7. Kontrollér, at borestativet er sikkert fastgjort.

6.8 Vandopsamlingsystem til borestativ

Ved anvendelse af vandopsamleren kan vandet ledes bort fra boret, og derved undgår man at forurene omgivelserne. Det bedste resultat opnås ved også at anvende en vandsuger. Anvendelse af vandopsamleren sammen med en vandsuger er et krav ved boring over hovedet. Borestativet skal være sat i en 90° vinkel til overfladen.

Tætningen skal være tilpasset diameteren på diamantboret.

1. Løsn stativets justeringshåndtag indtil gradindstillingen slipper sit greb.
2. Vip rammen skråt bagud.
3. Monter vandopsamleren.
4. Vip rammen tilbage i lodret position igen.
5. Flyt justeringshåndtaget indtil styringsøsknerne til gradindstillingen har grebet fast og rammen igen er fikseret.
6. Løft holderen og skub vandopsamleren ind under holderen, så langt som den kan komme.
7. Tilslut en vandsuger til vandopsamleren eller tilslut en slange, så vandet kan ledes bort.

6.9 Montering af maskinen på borestativ

-FORSIGTIG-

Udløsergrebet på borestativet skal være i åben position og slæden skal være i top. Fremføringsmekanismen skal være låst (kædestop i hak).

1. Placer maskinens hurtigkobling på de to monteringsstifter på borestativet. **(6.9.1)**
2. Skrub hurtigt maskinen ind mod borestativet. Man kan høre, når maskinen går i hak. **(6.9.2)**
3. Check udløsergrebets position for at sikre, at maskinen sidder i hak, og at den er fastgjort forsvarligt på borestativet. **(6.9.3)**
4. Indsæt låsen til tænd-/sluk-knappen i grebets åbning. Låsen skal bruges til at holde knappen i ON-position (tændt) ved kontinuerlig drift.
5. Luk for vandventilen i sidehåndtaget.
6. Tilslut vandforsyningen.

6.10 Montere håndhjul

1. Sæt håndhjulet på akslen.
2. Skru håndhjulet fast ved at spænde gevindknoppen. Håndhjulet kan monteres på begge sider af stativet.

6.11 Justering af borestativets borevinkel

(i intervaller på 7,5°, justerbart til max. 45°)

1. Løsn stativets justeringshåndtag indtil gradindstillingen slipper sit greb.
2. Sæt søjlerne i den ønskede position.
3. Spænd gradindstillingen fast.
4. Flyt justeringshåndtaget indtil styringsøskernerne til gradindstillingen har grebet fast og rammen igen er fikseret.
5. Tryk ind og vrid justeringshåndtaget tilbage i vertikal position.

6.12 Tage maskinen ud af borestativet

-FORSIGTIG-

Maskinen må ikke være tilsluttet strøm. Fremføringsmekanismen skal være låst (kædestop i hak).

1. Luk for vandventilen i sidehåndtaget.
2. Vandet kobles fra.
3. Fjern låsen til tænd-/sluk-knappen fra grebet.
4. Hold maskinen med en hånd på grebet og løs udløserarmen på borestativet.
5. Drej (vrid) maskinen væk fra borestativet.

7. Ibrugtagning

7.1 Maskinen tilsluttes strøm


Kontroller at netspændingen stemmer overens med spændingen, som er angivet på mærkepladen.



1. Kontroller at maskinen er slukket eller fjern låsen til tænd-/sluk-knappen.
2. Sæt stikket i stikkontakten.
3. Tryk på "ON"-knappen på fejlstrømsrelæet (lampen skal lyse).
4. Tryk på "TEST" knappen på fejlstrømsrelæet (lampen skal ikke lyse).

-FARE-

Hvis indikatoren ikke slukker, må maskinen ikke anvendes. Send maskinen ind til reparation ved et kvalificeret værksted. Der må kun anvendes originale reservedele.

5. Tryk på "ON"-knappen på fejlstrømsrelæet (lampen skal lyse).

	-FORSIGTIG-
	<ul style="list-style-type: none"> ■ Maskinen og selve boringen støjer. ■ Et højt støjniveau kan skade hørelsen. ■ Bær høreværn.

 	-FORSIGTIG-
	<ul style="list-style-type: none"> ■ Under boringen kan der flyve farlige splinter. ■ Flyvende splinter kan skade øjne eller andre kropsdele. ■ Bær beskyttelsesbriller og sikkerheds-hjelm.

7.2 Tørboring

7.2.1 Montering af centreringsring

Der kræves forskellige centreringsringe til forskellige diametre på diamantborene.

1. Monter centreringsringen forrest på diamantboret.

7.2.2 Støvsuger med udtag til el-værktøj

Støvsugeren starter automatisk når maskinen tændes. Når der slukkes for maskinen, slukkes der med en kort forsinkelse også for støvsugeren.

Tænde

1. Tryk på tænd-/sluk-knappen på maskinen.
2. Med centreringsringen påmonteret påbegyndes boringen. Fortsæt indtil borekronesegmenterne har dannet et borespor i materialet.
3. Sluk for maskinen.
4. Tag centreringsringen af og fortsæt med boringen.

Slukke

1. Sluk for maskinen.
2. Tag evt. boret af.

7.2.3 Støvsuger uden udtag til el-værktøj

Tænde

1. Tænd for støvsugeren.
2. Tænd for maskinen.

Slukke

1. Sluk for maskinen.
2. Lad støvsugeren køre for en kort stund så alt støv fjernes inden der slukkes.

7.3 Våd boring, håndholdt

Tænde

1. Åben vandventilen i sidehåndtaget indtil den ønskede mængde vand strømmer. Mængden af vand kan kontrolleres på indikatoren for vandgennemstrømning på håndtaget.
2. Tryk på tænd-/sluk-knappen.
3. Når boringen af et hul påbegyndes, skal maskinen holdes let vinklet i forhold til overfladen. Dette gør det lettere at påbegynde boringen.
4. Når først man er kommet i gang med hullet, skal maskinen føres tilbage i 90° vinkel i forhold til overfladen og fortsæt med boringen.

Slukke

1. Sluk for maskinen.
2. Luk for vandventilen på sidehåndtaget.

7.4 Håndholdt vådboring med vandopsamler

Krydsmarkeringerne forrest på vandopsamleren fungerer som hjælp til eksakt placering.

Tænde

1. Tænd for vandudsugningssystemet (hvis et sådant anvendes).
2. Åben langsomt for vandventilen på sidehåndtaget indtil der strømmer den ønskede mængde vand. Mængden af vand kan kontrolleres på indikatoren for vandgennemstrømning på håndtaget.
3. Tryk på tænd-/sluk-knappen.
4. Når boringen af et hul påbegyndes, skal maskinen holdes let vinklet i forhold til overfladen. Dette gør det lettere at påbegynde boringen.
5. Når først man er kommet i gang med hullet, skal maskinen føres tilbage i 90° vinkel i forhold til overfladen og fortsæt med boringen.

Slukke

1. Sluk for maskinen.

-ADVARSEL-

Når der bores over hovedet må vand, der er blevet tilbage i boret, ikke løbe ned over maskinen.

2. Luk for vandventilen på sidehåndtaget.
3. Sluk for vandsugeren (hvis en sådan anvendes).
4. Tag evt. boret af.

7.5 Våd boring med borestativ

Tænde

1. Tænd for vandsugeren (hvis en sådan anvendes).
2. Åben langsomt for vandventilen på sidehåndtaget ind-

til der strømmer den ønskede mængde vand. Mængden af vand kan kontrolleres på indikatoren for vandgennemstrømning på håndtaget.

3. Anvend låsen til tænd-/sluk-knappen til at sætte maskinen i kontinuerlig drift.
4. Løsn kædestoppet.
5. Boret bringes i kontakt med overfladen ved at dreje på håndhjulet.
6. Når boringen påbegyndes, skal der bare presses let på boret. Øg derefter trykket, når boret er centreret.
7. Under boringen skal man holde øje med overbelastningsindikatoren. Hvis denne tændes, skal der lattes på trykket på boret.

Slukke

1. Luk for vandventilen på sidehåndtaget.
2. Træk boret ud af hullet.
3. Fastgør kædestoppet.
4. Sluk for maskinen.
5. Sluk for vandsugeren (hvis en sådan anvendes).
6. Tag evt. boret af.
7. Sluk for maskinen.

-ADVARSEL-

Når der bores over hovedet må vand, der er blevet tilbage i boret, ikke løbe ned over maskinen.

8. For at sikre stabilitet i borestativet sænkes maskinen og boret ned mod bundpladen.

7.6 Fremgangsmåde ved fastklemning af borekrone

I tilfælde af fastklemning af borekronen udløses glidekoblingen, indtil brugeren slukker maskinen. Borekronen kan løsnes på følgende måder:

Løsning af borekronen med en gaffelnøgle

1. Træk stikket ud.
2. Sæt en passende gaffelnøgle fast på borekronen i nærheden af indstiksenden, og løsn borekronen ved at dreje.
3. Sæt maskinens stik i stikkontakten.
4. Forsæt borearbejdet.

Løsning af borekronen med et drejekryds (kun ved brug af stander)

1. Træk stikket ud.
2. Løsn borekronen fra underlaget med drejekrydset.
3. Sæt maskinens stik i stikkontakten.
4. Forsæt borearbejdet.

7.7 Transport og opbevaring:

-BEMÆRK-

- Det anbefales at transportere maskinen i Hilti-kufferten.
- Luk vandreguleringen før opbevaring af maskinen. Ved temperaturer under nulpunktet skal det kontrolleres, at der ikke fortsat er vand i maskinen.

8. Rengøring og vedligeholdelse

Tag stikket ud af stikkontakten.

8.1 Rengøring af bor

Fjern evt. snavs som har sat sig fast på boret, og beskyt borets overflade ved jævnlige at gnide overfladen med en olieret klud.

8.2 Rengøring af maskine

Kontroller at stikket er trukket ud.

-FORSIGTIG-

Hold maskinen, især gribepladerne, tørre, rene og fri for olie og fedt. Anvend ikke silikoneholdige plejemidler.

Kabinettet er fremstillet af et slagfast plastmateriale. Grebet er fremstillet af elastomer-materiale.

Anvend aldrig maskinen, hvis ventilationsåbningerne er tilstoppede! Rengør forsigtigt ventilationsåbningerne med en tør børste. Sørg for, at der ikke trænger fremmedlegemer ind i maskinen. Rengør jævnlige maskinen udvendigt med en let fugtig klud. Du må ikke bruge spraymaskiner, dampstrålemaskiner eller almindeligt vand til rengøring! Det kan forringe maskinens elektriske sikkerhed.

Rengør jævnlige borepatron og hurtigkobling med en klud og smør disse dele med Hilti spray. Fjern snavs og splinter fra borepatronen.

Tag med jævne mellemrum filteret i vandindtaget ved sidehåndtaget af og rens filtersien under rindende vand i den modsatte retning af den normale vandstrøm.

Hvis indikatoren for vandgennemstrømning er blevet beskidt, så tag den af og rengør delene. Undgå at anvende slibende midler eller skarpe genstande til at rense glasset. Dette kan påvirke indikatorens funktion negativt.

8.3 Vedligeholdelse af maskinen

Kontroller med jævne mellemrum, at maskinen ikke er beskadiget, og at alting fungerer fejlfrit. Anvend ikke maskinen, hvis den er beskadiget eller ikke fungerer som den skal. Indlever ved behov maskinen til reparation på Hilti's værksted. Reparationer af maskinens elektriske dele må kun udføres af en autoriseret fagmand.

8.4 Rengøring af borestativ

8.4.1 Rengøring af kæden

Kontroller at kædestyringen er ren og fri for boreslam. Kæden skal altid være beskyttet med en hinde af olie.

8.5 Vedligeholdelse af borestativ

8.5.1 Justering af bevægelighed

Bevægeligheden skal være let men uden slør (frigang). Bevægeligheden kan justeres ved hjælp af skruer (2 øverst og 2 nederst).

8.5.1.1 Mindre bevægelighed

1. Løsn den nederste skrue.

2. Spænd den øverste skrue hårdt.
3. Spænd den nederste skrue hårdt.

8.5.1.2 Mere bevægelighed

1. Løsn den øverste skrue.
2. Spænd den nederste skrue hårdt.

8.5.2 Justering af kædens stramning

Når slæden er i slutposition, skal kæden kun hænge (bøje) let ned ved horisontal fremføring. Kædens stramning kan justeres ved hjælp af to skruer (kædesymbol på hovedet).

- Skru med uret for at øge stramningen på kæden.
 - Skru mod uret for at mindske stramningen på kæden.
- Begge kæder skal have den samme stramning.

9. Fejlsøgning

Fejl	Mulig årsag	Afhjælpning
Maskinen starter ikke.	Fejl i strømforsyningen.	Sæt et andet el-apparat i og kontroller om det fungerer.
	Kabel eller stikkontakt er defekt.	Kontroller kablet og få evt. en el-fagmand til at skifte det ud.
	Defekt tænd-/sluk-knap.	Kontroller tænd-/slukknappen og få evt. en el-fagmand til at skifte den ud.
Motoren kører men borekronen roterer ikke.	Defekt gear.	Lad Hilti værkstedet reparere maskinen.
Hastigheden i boringen daler.	Vandtrykket/vandgennemstrømningsniveauet er for højt.	Reguler vandgennemstrømningsniveauet ved sidehåndtaget.
	Defekt borekrone.	Kontroller om borekronen er beskadiget og skift den evt. ud.
	Defekt gear.	Lad Hilti værkstedet reparere maskinen.
	Borets segmenter er polerede.	Skærp boret på en skærpeplade imens der spules med vand.
Motoren stopper.	Maskinen stopper.	Hold maskinen lige.
	Maskinen er for varm. Den termiske overbelastningsmekanisme er aktiveret.	Mindsk belastningen på maskinen og få omdrejningstallet op igen ved at trykke på tænd-/slukknappen flere gange.
	Defekt elektronik.	Lad Hilti værkstedet reparere maskinen.
	Defekt ventilator.	Lad Hilti værkstedet reparere maskinen.
Ingen vandgennemstrømning.	Filter eller vandgennemstrømningsindikator er blokeret.	Tag filteret eller vandniveauindikatoren af og spul igennem.
Vandet lækker fra gearhuset.	Akseltætningsring / vandhoved / sugehovedet er defekt.	Lad Hilti værkstedet reparere maskinen.
Man kan ikke sætte borekronen i borepatronen.	Borets indstiksende eller borepatronen er beskidt eller beskadiget.	Rengør indstiksende og borepatron eller skift dem evt. ud.
Der lækker vand fra borepatronen.	Borets indstiksende eller borepatronen er beskidt.	Rengør indstiksende og borepatron.
	Defekt pakning på borepatronen.	Kontroller pakningen og skift den evt. ud.
Kraftigt slør i boresystemet.	Kraftigt slør ved styringerne.	Justér styringerne.
	Kæden er utilstrækkeligt spændt.	Spænd kæden.
	Drejemeکانismen er løs.	Spænd drejemeکانismen (6.11)

10. Bortskaffelse



Størstedelen af de materialer, som anvendes ved fremstillingen af Hilti maskiner, kan genbruges. Materialerne skal skilles korrekt ad, inden de kan genbruges. I mange lande findes der allerede ordninger, hvor Hilti samler sine brugte maskiner/værktøjer ind til genbrug. For mere information, kontakt Hilti Kundeservice eller din lokale Hilti Konsulent.

Bortskaffelse af boreaffald

Ud fra et miljømæssigt synspunkt er det problematisk at udlade boreslam i vandløb eller kloakker uden forudgående behandling. Kontakt de lokale myndigheder for at høre nærmere om de forskrifter, der gælder for dit område.

Vi anbefaler følgende forudgående behandling:

Opsaml boreslammet (f.eks. ved hjælp af en vådstøvsuger).

Lad boreslammet bundfælde sig, og bortskaf den faste del på genbrugsstationen (flokuleringsmidler kan fremskynde udskilningsprocessen).

Før det resterende vand (basisk, pH-værdi > 7) ledes ud i kloakken, skal dette neutraliseres ved at iblande sure neutraliseringsmidler eller ved at fortynde med rigelige mængder vand.



Kun for EU-lande

Elværktøj må ikke bortskaffes som almindeligt affald!

I henhold til det europæiske direktiv om bortskaffelse af elektriske og elektroniske produkter og gældende national lovgivning skal brugt elværktøj indsamles separat og bortskaffes på en måde, der skåner miljøet mest muligt.

11. Producentgaranti – Produkter

Hilti garanterer, at det leverede produkt er fri for materiale- og fabriktionsfejl. Garantien forudsætter, at produktet anvendes og håndteres samt vedligeholdes og rengøres i henhold til Hilti-brugsanvisningen, og at den tekniske enhed er bevaret, dvs. at der udelukkende er anvendt originale Hilti-forbrugsmaterialer, -tilbehørsdele og -reserverdele til produktet.

Garantien omfatter reparation uden beregning eller udskiftning af defekte dele uden beregning i hele produktets levetid. Dele, der som følge af normalt slid trænger til at blive udskiftet eller repareret, er ikke omfattet af garantien.

Hilti afviser alle yderligere krav, medmindre den nationale lovgivning forbyder en sådan afvisning. Hilti påtager sig således intet ansvar for direkte eller indirekte skader, samtidige eller efterfølgende skader, tab eller omkostninger, som er opstået i forbindelse med eller på grund af anvendelsen af produktet, eller som er opstået på grund af produktets uegnethed til et bestemt formål. Stiltiende garantier for anvendelse eller egnethed til et bestemt formål udelukkes udtrykkeligt.

I forbindelse med reparation eller udskiftning af produktet eller dele deraf, forudsættes det, at produktet eller de pågældende dele indsendes til Hilti, umiddelbart efter at skaden er konstateret.

Nærværende garanti omhandler samtlige garantiforpligtelser fra Hiltis side og erstatter alle tidligere eller samtidige garanti erklæringer, såvel skriftlige som mundtlige.

12. EU konformitetserklæring (original)

Betegnelse:	Diamantboremaskine
Typebetegnelse:	DD 130
Konstruktionsår:	2001

Vi påtager os det fulde ansvar for, at dette produkt er i overensstemmelse med følgende normer eller normative dokumenter: 2006/42/EU, 2004/108/EU, EN 61029-1, 2011/65/EU, EN ISO 12100.

**Hilti Corporation, Feldkircherstrasse 100,
FL-9494 Schaan**

Paolo Luccini
Head of BA Quality & Process Management
BA Electric Tools & Accessories
11/2009

Johannes W. Huber
Senior Vice President
BU Diamond
11/2009

Tekniske dokumentation ved:

Hilti Entwicklungsgesellschaft mbH
Zulassung Elektrowerkzeuge
Hiltistrasse 6
86916 Kaufering
Deutschland

Timanttiporauslaite DD 130

Tutustu käyttöohjeeseen huolellisesti ennen laitteen käyttöä.

Säilytä käyttöohje aina laitteen mukana.

Varmista, että käyttöohje on laitteen mukana, kun se luovutetaan toiselle henkilölle.

DD 130 -timanttiporauslaitteiston osat 1

Timanttiporauslaite

- 1 Kääntyvä imuadapteri
- 2 Vedenvirtauksen osoitin
- 3 Pyöreä vesivaaka
- 4 Kiristysruuvi (sivukahva)
- 5 Sivukahva
- 6 Vedensyötön säädin
- 7 Vesiletkun liitäntä
- 8 Vaihteenvälitsin
- 9 Vaihteiston kuori
- 10 Moottori
- 11 Käyttökytkin
- 12 Kahva
- 13 Ylikuormituksen ilmaisin
- 14 Liitäntäjohto (sis. vikavirtasuojakytkimen)
- 15 Tyyppikilpi
- 16 Kiinnityslevy
- 17 Tulppa (imuadapteri)
- 18 Suojus (imuadapteri)
- 19 Poistoliitäntä
- 20 Imuadapterin lukitus
- 21 Lukitusrengas (kääntyvä imuadapteri)
- 22 Istukka

Poraustuki

- 23 Kahva
- 24 Ketju
- 25 Syöttökiskot
- 26 Kuusioavain
- 27 Kelkka
- 28 Vapautusvipu
- 29 Tyyppikilpi
- 30 Alipaineen päästöventtiili

- 31 Alipaineletkun liitäntä
- 32 Tyhjötiiviste
- 33 Ankkurointi-/tyhjöjalusta
- 34 Ketjun lukitsin
- 35 Syöttöristikko
- 36 Käyttökytkimen lukitsin
- 37 Painemittari
- 38 Pyöreä vesivaaka
- 39 Säätvipu
- 40 Kiristysruuvi
- 41 Porausreiän keskipisteen osoitin
- 42 Ohjausnastat
- 43 Porausyvyyden rajoitin
- 44 Lukitusmekanismi
- 45 Kiinnityspäät
- 46 Ketjun kiristin

Vedenkerääjän pidin käsivaraiseen käyttöön

- 47 Lukitusvipu
- 48 Kiristysruuvi
- 49 Porausyvyyden rajoitin
- 50 Vedenkerääjä
- 51 Keskitysrengas
- 52 Keskitysrenkaan pidin
- 53 Tiivisterengas
- 54 Kiinnityslevy

Vedenkerääjä poraustukikäyttöön

- 55 Vedenkerääjän pidin
- 56 Vedenkerääjä
- 57 Tiivisterengas

Sisältö

Sisältö	Sivu
1. Yleistä	30
2. Kuvaus	30
3. Tarvikkeet ja lisävarusteet	31
4. Tekniset tiedot	31
5. Turvallisuusohjeet	33
6. Ennen käyttöä	35
7. Käyttö	38
8. Huolto ja kunnossapito	40
9. Vianmääritys	41
10. Hävittäminen	42
11. Koneiden valmistajan myöntämä takuu	42
12. Vaatimustenmukaisuusvakuutus (originaali)	42

1. Yleistä

1.1 Varoitusmerkit ja niiden merkitys

-VAKAVA VAARA-

Varoittaa vaaratilanteesta, josta voi seurauksena olla vakava loukkaantuminen tai jopa kuolema.

-VAARA-

Varoittaa vaaratilanteesta, josta voi seurauksena olla vakava loukkaantuminen tai kuolema.

-VAROITUS-

Varoittaa vaaratilanteesta, josta voi seurauksena olla loukkaantuminen, vaurioituminen tai aineellinen vahinko.

-HUOMAUTUS-

Antaa toimintaohjeita tai muuta hyödyllistä tietoa.

1.2 Symbolit

Varoitusymbolit



Varoitus yleisestä vaarasta



Varoitus: sähköiskun vaara



Varoitus: kuuma pinta

Ohjesymbolit



Käytä suojalaseja



Käytä suojakypärää



Käytä kuulonsuojaimia



Käytä suojakäsineitä



Käytä turvajalkineita

Symbolit



Lue käyttöohjeet ennen käyttöä.



Jätteet toimitettava kierrätykseen

A

Ampeeria

V

Volttia

W

Watti

Hz

Hertsi

/min

Kierrosta minuutissa

rpm

Kierrosta minuutissa

~

Vaihtovirta

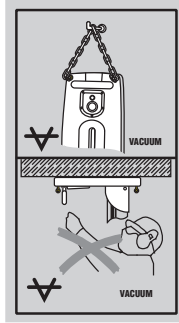
n₀

Nimellisjoutokäyntikierrosluku

Ø

Halkaisija

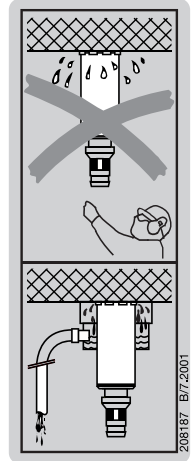
Poraustuessa



Ylhäällä Poraustuki on varmistettava lisäkiinnityksellä, kun sitä käytetään vaakaporaukseen tyhjäalustan kanssa.

Alhaalla Poraustuki on kiinnitettävä ankkuriilla tai pikakiristystangolla yläpuolisiin rakenteisiin porattaessa.

Laitteessa



Yläpuolisiin rakenteisiin porattaessa on käytettävä vedenkeraajaa ja märkäimuria.

1 Numerot viittaavat kuviin. Kuvat löytyvät etu- ja takakannen taittosivuilta. Pidä nämä sivut auki lukiessasi käyttöohjetta.

Tässä käyttöohjeessa "laite" tarkoittaa aina DD 130 -timanttiporauslaitetta.

Työkalun tunnistetietojen sijainti

Tyypimerkintä ja valmistusnumero löytyvät laitteen tyyppikilvestä. Merkitse nämä tiedot käyttöohjeeseen ja ilmoita ne aina, kun otat yhteyttä Hilti-myyntiedustajaan tai Hilti-asiakaspalveluun.

Tyyppi:

DD 130

Valmistusnumero:

2. Kuvaus

DD 130 on sähkötoiminen timanttiporauslaite, jota voidaan käyttää käsivaraisessa porauksessa ja myös porauksessa poraustuella. Se soveltuu sekä märkä- että kuivaporaukseen.

Käyttökohteet

DD 130 on laite ankkurireikien ja läpivientien poraukseen betoniin, tiileen ja luonnonkiveen.

Käyttökohteet:

Poraustuen kanssa / ilman	Porakruunun halkaisija		Poraussuunta
Käsivarainen / kuiva	Pölynpoistolla läpimitta	halkaisija 12–162 mm	Kaikkiin suuntiin
Käsivarainen / märkä	Ilman vedenkerääjää	halkaisija 12– 62 mm	Ei ylöspäin
Käsivarainen / märkä	Vedenkerääjän kanssa	halkaisija 12– 62 mm	Kaikkiin suuntiin
Poraustuella / märkä	Ilman vedenkerääjää	halkaisija 12–152 mm	Ei ylöspäin
Poraustuella / märkä	Vedenkerääjän kanssa	halkaisija 12–132 mm	Kaikkiin suuntiin

Ylöspäin porattaessa vedenkerääjään on liitettävä märkäimuri.

● Vaakaporaus tyhjöjalustan varassa on sallittua vain, kun poraustuki on varmistettu lisäkiinnityksellä. Poraustuki on kiinnitettävä ankkurilla tai pikakiristystangolla yläpuolisiin rakenteisiin porattaessa.

● Laitetta ei saa käyttää asbestia sisältävien materiaalien poraamiseen.

● Laitteeseen ei saa tehdä mitään muutoksia.

● Loukkaantumisvaaran välttämiseksi laitteen kanssa saa käyttää vain alkuperäisiä Hilti-varusteita ja -lisälaitteita.

● Noudata kaikkia käyttö-, huolto- ja kunnossapito-ohjeita.

● Laite on suunniteltu ammattikäyttöön.

● Laitetta saavat käyttää, huoltaa ja korjata vain valtuutetut, koulutetut henkilöt. Käyttäjien pitää olla hyvin perillä laitteen käyttöön liittyvistä vaaroista.

● Laite ja varusteet saattavat aiheuttaa vaaratilanteita, jos kokemattomat henkilöt käyttävät sitä ohjeiden vastaisesti tai muuten asiattomasti.

● **Laite on liitettävä verkkovirtaan suojaeristetyllä verkkojohdolla, jonka poikkipinta-ala on riittävän suuri.**

Vakiovarustus kantolaukussa

- Kone
- Sivukahva
- Hilti-kantolaukku tai pahvipakkaus
- Käyttöohje
- Puhdistusliina
- Kiristysavain SW 19
- Rasvaputkilo
- Beskyttelsesbriller

3. Lisävarusteet

Nimike	Osanumero
Tyhjöpumppu	47034
Pikakiristystanko	9870
Vedenkerääjän pidin käsivaraiseen käyttöön	370462
Vedenkerääjän pidin poraustukikäyttöön	370460
Poraustuki	370461
Pyörä	232228
DD-CS M12S-SM -varsi	251830
DD-CN SM L -kiristyslaippa	251834

4. Tekniset tiedot

Jännite: *	110 V	120 V	220 V	230 V	240 V
Ottoteho:	1700 W	1800 W	1900 W	1900 W	1900 W
Ottovirta: *	16 A	15 A	9,1 A	8,7 A	8,3 A
Taajuus:	50/60 Hz	50/60 Hz	50/60 Hz	50/60 Hz	50/60 Hz

Kierrosnopeus: 1. vaihde:	780 /min
2. vaihde:	1400 /min
3. vaihde:	2600 /min
	(Vaihteen saa vaihtaa vasta sitten, kun laite on täysin pysähtynyt.)
Suurin sallittu veden syöttöpaine:	6 baria (jos paine on tätä suurempi, syöttöletkuun on asennettava paineenalennusventtiili)
Mitat (p×l×k):	515×114×170 mm
Paino EPTA-Procedure 01/2003 mukaan:	7,3 kg
Poraustuen paino:	13,1 kg
Radio- ja televisiohäiriöiden vaimennus:	normin EN 55014-1 mukaisesti
Häiriösuojaus:	normin EN 55014-2 mukaisesti
Suojausluokka normin EN 60745 ja IEC 60745 mukaan:	Suojausluokka I (maadoitettu)
Poraussyvyys:	maks. 430 mm (730 mm jatkokappaleella)

-HUOMAUTUS-

Tässä käyttöohjeessa ilmoitettu värinääro on mitattu normin EN 60745 mukaista mittausmenetelmää käyttäen, ja tätä arvoa voidaan käyttää sähkötyökalujen vertailussa. Se soveltuu myös värinärasituksen tilapäiseen arviointiin. Ilmoitettu värinääro koskee sähkötyökalun pääasiallisia käyttötarkoituksia. Jos sähkötyökalua kuitenkin käytetään muihin tarkoituksiin, poikkeavia työkaluja tai teriä käyttäen tai puutteellisesti huollettuna, värinääro voi poiketa tässä ilmoitetusta. Tämäsaattaa merkittävästi lisätä värinärasitusta koko työskentelyajan aikana. Värinärasitusta tarkasti arvioitaessa on otettava huomioon myös ne ajat, jolloin kone on kytketty pois päältä tai jolloin kone on päällä, mutta sillä ei tehdä varsinaista työtä. Tämä saattaa merkittävästi vähentää värinärasitusta koko työskentelyajan aikana. Käyttäjän suojaamiseksi värinän vaikutukselta ryhdy tarpeellisiin turvatoimenpiteisiin kuten: Sähkötyökalun ja siihen kiinnitettävien työkalujen huolto, käsien lämpimänä pitäminen, työtehtävien organisointi.

Melu- ja värinäarvot (normin EN 60745 mukaisesti):

Tyypillinen melutaso (L_{WA}):	100 dB (A)
Tyypillinen melun tehotaso (L_{PA}):	89 dB (A)

Normin EN 60745 mukaisesti ilmoitettujen meluarvojen tarkkuus on 3 dB.

Käytä kuulonsuojaimia!

Kolmen akselin suuntaiset värinäarvot (mitattu käsikahvoista mittausnormina EN 60745-2-1 ja syöttöristikosta mittausnormina EN 61029)

Kolmen akselin suuntaiset värinäarvot (värinävektoreiden summa) mittausnormina EN 60745-2-1 (käsikäytössä)

	Poraaminen betoniin (märkä)	Poraaminen hiekkakiveen (HDMU, kuiva)	Poraaminen hiekkakiveen (PCM, kuiva)
Tärinä $a_{h,DD}$	5 m/s²	6 m/s²	11 m/s²
Epävarmuus K	1,5 m/s ²	1,5 m/s ²	2,5 m/s ²

Kolmen akselin suuntaiset värinäarvot (värinävektoreiden summa) mittausnormina EN 61029, DD 130-Rig (jalustaohjauksessa)

	Poraaminen betoniin (märkä)	Poraaminen hiekkakiveen (HDMU, kuiva)	Poraaminen hiekkakiveen (PCM, kuiva)
Tärinä $a_{h,DD}$	3,5 m/s²	–	–
Epävarmuus K	1,5 m/s ²	–	–

Tietoja käyttäjälle normin EN 61000-3-11 mukaan:

Laitteen kytkeminen voi aiheuttaa hetkellisen jännitteen alenemisen. Epäsuotuisissa olosuhteissa tämä saattaa aiheuttaa häiriöitä muissa laitteissa. Häiriöitä ei ole odotettavissa, jos jännitteensyötön impedanssi on < 0,15 ohmia.

* Laitetta on saatavana eri versioina eri verkkojännitteille. Tämän laitteen nimellisyännite ja ottovirta on ilmoitettu tyyppikilvessä.

Pidätämme oikeudet teknisiin muutoksiin.

5. Turvallisuusohjeet

5.1 Yleiset turvallisuusohjeet

-VAARA- Kaikki ohjeet täytyy lukea. Alla olevien ohjeiden noudattamisen laiminlyönti saattaa johtaa sähköiskuihin, tulipaloon ja/tai vakavaan loukkaantumiseen. Seuraavassa käytetty käsite ”sähkötyökalu” käsittää verkkokäyttöisiä sähkötyökaluja (verkkojohdolla) ja akkukäyttöisiä sähkötyökaluja (ilman verkkojohdtoa).

SÄILYTÄ NÄMÄ OHJEET HYVIN.

5.1.1 Työpaikka

- Pidä työskentelyalue puhtaana ja hyvin valaistuna.** Työpaikan epäjärjestys ja valaisemattomat työalueet voivat johtaa tapaturmiin.
- Älä työskentele sähkötyökalulla räjähdysalttiissa ympäristössä, jossa on palavaa nestettä, kaasua tai pölyä.** Sähkötyökalu muodostaa kipinöitä, jotka saattavat sytyttää pölyn tai höyryt.
- Pidä lapset ja sivulliset loitolla sähkötyökalua käytäessäsi.** Voit menettää laitteesi hallinnan huomiosi suuntautuessa muualle.

5.1.2 Sähköturvallisuus

- Sähkötyökalun pistotulpan tulee sopia pistorasiaan.** Pistotulppaa ei saa muuttaa millään tavalla. Älä käytä mitään pistorasia-adaptoreita maadoitettujen sähkötyökalujen kanssa. Alkuperäisessä kunnossa olevat pistotulpat ja sopivat pistorasiat vähentävät sähköiskun vaaraa.
- Älä koskettamasta maadoitettuja pintoja, kuten putkia, pattereita, liesiä tai jääkaappeja.** Sähköiskun vaara kasvaa, jos kehosi on maadoitettu.
- Älä aseta sähkötyökalua alttiiksi sateelle tai kosteudelle.** Veden tunkeutuminen sähkötyökalun sisään kasvattaa sähköiskun riskiä.
- Älä käytä verkkojohdtoa väärin.** Älä käytä sitä sähkötyökalun kantamiseen, vetämiseen tai pistotulpan irrottamiseen pistorasiasta. Pidä johto loitolla kuumuudesta, öljystä, terävistä reunoista ja liikkuvista osista. Vahingoittuneet tai sotkeutuneet johdot kasvattavat sähköiskun vaaraa.
- Älä käytä sähkötyökalua ulkona käytä ainoastaan ulkokäyttöön soveltuvaa jatkojohtoa.** Ulkokäyttöön soveltuvan jatkojohtoon käyttö pienentää sähköiskun vaaraa.

5.1.3 Henkilöturvallisuus

- Ole valpas, kiinnitä huomiota työskentelyysi ja noudata tervettä järkeä sähkötyökalua käyttäessäsi.** Älä käytä sähkötyökalua, jos olet väsynyt tai huumeiden, alkoholin tai lääkkeiden vaikutuksen alaisena. Hetken tarkkaamattomuus sähkötyökalua käytettäessä saattaa johtaa vakavaan loukkaantumiseen.
- Käytä suojarusteita.** Käytä aina suojalaseja. Suojarusteet, kuten pölynsuojanaamari, luistamattomat turvajalkineet, kypärä ja kuulosuojaimet

pienentävät tilanteen mukaan oikein käytettyinä loukkaantumiseriskiä.

- Vältä sähkötyökalun tahatonta käynnistämistä.** Varmista, että käynnistyskytkin on asennossa ”OFF” ennen kuin kytket pistotulpan pistorasiaan. Jos kannat sähkötyökalua sormi käynnistyskytkimellä tai kytket sähkötyökalun pistotulpan pistorasiaan käynnistyskytkimen ollessa käyntiasennossa, altistat itsesi onnettomuuksille.
- Poista kaikki säätötyökalut ja ruuvitaltat, ennen kuin käynnistät sähkötyökalun.** Työkalu tai avain, joka sijaitsee laitteen pyöriässä osassa, saattaa johtaa loukkaantumiseen.
- Älä yliarvioid itseäsi.** Huolehdi aina tukevasta seisoma-asennosta ja tasapainosta. Täten voit paremmin hallita sähkötyökalua odottamattomissa tilanteissa.
- Käytä tarkoitukseen soveltuvia vaatteita.** Älä käytä löysiä työvaatteita tai koruja. Pidä hiukset, vaatteet ja käsineet loitolla liikkuvista osista. Väljät vaatteet, korut ja pitkät hiukset voivat takertua liikkuviin osiin.
- Jos pölynimu- ja keräilylaitteita voidaan asentaa, tulee sinun tarkistaa, että ne on liitetty ja että ne käytetään oikealla tavalla.** Näiden laitteiden käyttö vähentää pölyn aiheuttamia vaaroja.

5.1.4 Sähkötyökalujen käyttö ja hoito

- Älä ylikuormita laitetta.** Käytä kyseiseen työhön tarkoitettua sähkötyökalua. Sopivaa sähkötyökalua käyttäen työskentelet paremmin ja varmemmin tehoalueella, jolle sähkötyökalu on tarkoitettu.
- Älä käytä sähkötyökalua, jota ei voida käynnistää ja pysäyttää käynnistyskytkimestä.** Sähkötyökalu, jota ei enää voida käynnistää ja pysäyttää käynnistyskytkimellä, on vaarallinen ja se täytyy korjata.
- Irrota pistotulpa pistorasiasta, ennen kuin suoritat säätöjä, vaihdat tarvikkeita tai siirrä sähkötyökalun varastoitavaksi.** Tämä turvatoimenpide estää sähkötyökalun tahattoman käynnistysriskin.
- Säilytä sähkötyökalut poissa lasten ulottuvilta, kun niitä ei käytetä.** Älä anna sellaisten henkilöiden käyttää sähkötyökalua, jotka eivät tunne sitä tai jotka eivät ole lukeneet tätä käyttöohjetta. Sähkötyökalut ovat vaarallisia, jos niitä käyttävät kokemattomat henkilöt.
- Hoida sähkötyökalusi huolella.** Tarkista, että liikkuvat osat toimivat moitteettomasti eivätkä ole puristuksessa, ja tarkasta myös, ettei sähkötyökalussa ole murtuneita tai vahingoittuneita osia, jotka saattaisivat vaikuttaa haitallisesti sähkötyökalun toimintaan. Anna korjauttaa mahdolliset viat ennen käyttöönottoa. Monen tapaturman syyt löytyvät huonosti huolletuista laitteista.
- Pidä leikkausterät terävinä ja puhtaina.** Huolellisesti hoidetut leikkaustyökalut, joiden leikkausreunat ovat teräviä, eivät tartu helposti kiinni ja niitä on helpompi hallita.
- Käytä sähkötyökaluja, tarvikkeita, vaihtotyökaluja**

jne. näiden ohjeiden mukaisesti ja tavalla, joka on määrätty erityisesti kyseiselle sähkötyökälu- le. Ota tällöin huomioon työolosuhteet ja suori- tettava toimenpide. *Sähkötyökäluun käyttö muuhun kuin sille määrättyyn käyttöön, saattaa johtaa vaar- allisiin tilanteisiin.*

5.1.5 Huolto

- a) Anna koulutettujen ammattihenkilöiden korjata sähkötyökäluksi ja hyväksy korjauksiin vain alku- peräisiä varaosia. *Täten varmistat, että sähkötyö- kälu säilyy turvallisena.*

5.2 Tuotekohtaiset turvallisuusohjeet

5.2.1 Henkilöturvallisuus

- a) Käytä kuulosuojaimia. *Muutoin melu saattaa hei- kentää kuuloasi.*
- b) Käytä koneen mukana toimitettuja lisäkäsikah- voja. *Koneen hallinnan menettäminen saattaa aiheut- taa loukkaantumisia.*
- c) Laitetta on käytön aikana pideltävä ja ohjattava molemmin käsin tai se on kiinnitettävä poraustu- keen. *Jos käytät konetta ilman pölynpoistolaitet- ta, käytä pölyvässä työssä hengityssuojainta.*
- d) Jos käytät konetta ilman pölynpoistolaitetta, käytä pölyvässä työssä hengityssuojainta.
- e) Ohjaa koneen verkkojohto ja pölynpoistoletku aina koneesta pois taaksepäin, jotta et kompastu johto- on tai letkuun.
- f) Varo kompastumasta liitäntäjohtoon tai poistolet- kuun.
- g) Vältä koskettamasta porauslietettä.
- h) Varmista, että kääntövä imuadapteri (sivukahvan kiinnitys) on lukittu paikalleen ja että lukkoreng- as on kiristetty (katso 6.1.3).
- i) Varmista poraustukea käytettäessä, että laite on kunnolla kiinni tuessa (katso 6.9).
- j) Älä koske pyöriiviin osiin.
- k) Laite ei ole tarkoitettu lasten tai vajaakykyisten henkilöiden käyttöön ilman opastusta ja valvontaa.
- l) Lapsille on opetettava, ettei tällä laitteella saa leik- kiä.
- m) *Tiettyjen materiaalien kuten lyijypitoisen maalin, joidenkin puulajien, mineraalien ja metallien pölyt voivat olla terveydelle vaarallisia. Pölyjen ihoko- sketus tai hengittäminen saattaa aiheuttaa allergi- sia reaktioita ja/tai hengitystiesairauksia koneen käyttäjälle tai lähellä oleville henkilöille. Tietyt pölyt kuten tammien tai pyökien pöly on luokiteltu syöpää aiheuttaviksi, erityisesti jos niihin liittyy puunkäsit- telyn lisäaineita (kromaatti, puunsuoja-aineet). Asbe- stia sisältäviä materiaaleja saavat työstää vain eri- koiskoulutetut henkilöt. Käytä mahdollisuusien mukaan hengityssuojainta. Jotta pölynpoisto on mahdollisimman tehokas, käytä soveltuvaa, Hil- tin suosittelemaa liikuteltavaa pölynpoistovaru- stusta, joka on tarkoitettu puu- ja/tai mineraa- liainespölyille ja tälle sähkötyökäluille. Varmista*

työpisteesi hyvä ilmanvaihto. Suositamme suodatusluokan P2 hengityssuojaimen käyttämistä. Noudata maakohtaisia eri materiaalien työstöstä annettuja ohjeita ja määräyksiä.

5.2.2 Sähkötyökälujen käyttö ja hoito

- a) Varmista, että terä sopii koneen istukkaan ja että terä on kunnolla kiinni istukassa.
- b) Jos virransaanti katkeaa: Kytke kone pois päältä ja irrota sen verkko pistoke. *Näin estät koneen käyn- nistymisen vahingossa, kun virransaanti jälleen on kunnossa.*
- c) Noudata huolto- ja kunnossapito-ohjeita ja vaih- da kuluneet porakruunut ajoissa.
- d) Pidä koneesta kiinni eristetyistä kahvoista, sillä rakenteiden sisällä olevat sähköjohdot tai koneen verkkojohto voivat aiheuttaa vakavan vaaratilan- teen, jos ne konetta käytettäessä vaurioituvat. *Jos terä osuu jännitteelliseen sähköjohtoon, koneen suo- jaamattomiin metalliosiin johtuu jännite, mikä aiheut- taa koneen käyttäjälle vakavan sähköiskun vaaran.*

5.2.3 Sähköturvallisuus

- a) Ennen työhön ryhtymistä tarkasta esimerkiksi metallinpaljastimella, ettei työstökohdassa ole piilossa sähköjohtoja tai kaasu- tai vesiputkia. *Koneen ulkokuoren metalliosat saattavat johtaa säh- köä, jos terä osuu vahingossa esimerkiksi säh- köjohtoon. Tämä merkitsee vakavan sähköiskun vaaraa.*
- b) Tarkasta koneen verkkojohdon kunto säännöllise- sti, ja jos havaitset vaurioita, vaihdata verkkojohto erikoiskorjaamossa. Tarkasta mahdollisen jatko- johdon kunto säännöllisesti, ja vaihda johto, jos havaitset vaurioita. Jos koneen verkkojohto tai jatkojohto vaurioituu työskentelyn aikana, älä koske- ta johtoa. Irrota koneen pistoke verkkopistorasia- sta. *Vaurioitunut verkkojohto tai jatkojohto aiheut- taa vakavan sähköiskun vaaran.*
- c) Tarkastuta likaantunut kone säännöllisin välein Hil- ti-huollossa, etenkin jos usein työstät sähköä johtavia materiaaleja. *Koneen pintaan kertynyt pöly, etenkin sähköä johtavien materiaalien pöly, tai koste- us saattavat epäsuotuisissa tilanteissa aiheuttaa säh- köiskun.*
- d) Älä koskaan käytä laitetta ilman mukana toimitet- tua PRCD:tä (GB-mallia koskaan ilman erotusmu- untajaa). Tarkasta PRCD aina ennen käyttöä.
- e) Varmista, että laite on kytketty pois päältä (irrota käyttökytkimen lukitsin), ennen kuin kytket jännit- teen vikavirtasuojakytkimellä. Tarkista vikavirta- suojakytkimen toiminta ennen jokaista käyttöker- taa (katso 7.1).

5.2.4 Työpaikka

- a) Varmista työpaikan hyvä valaistus.
- b) Varmista työpaikan hyvä tuuletus. *Työpaikan huo- non tuuletuksen vuoksi pölystä voi tulla terveysris- ki.*

5.2.5 Henkilökohtaiset suojarusteet

Käytön aikana käyttäjän ja välittömässä läheisyydessä olevien henkilöiden on käytettävä suojalaseja, suojakypärää, kuulonsuojaimia, suojakäsineitä ja turvajalkineita.



5.2.6 Suojarusteet

Älä koskaan käytä laitetta ilman suojarusteita:

- Älä käytä laitetta ilman kääntävää imuadapteria.
- Poraustuki on varmistettava lisäkiinnityksellä, kun sitä käytetään vaakaporaukseen tyhjiöjohdosten kanssa.
- Poraustuki on kiinnitettävä ankkurilla tai pikakiristystangolla yläpuolisiin rakenteisiin porattaessa.
- Yläpuolisiin rakenteisiin porattaessa on käytettävä vedenkerääjää ja märkäimuria.

6. Ennen käyttöä

Tämän käyttöohjeen turvallisuusohjeet pitää ehdottomasti lukea ja niitä pitää noudattaa.

-VAROITUS-

Irrota liitäntäjohto pistorasiasta.



Jos käytetään jatkojohtoja, niiden on oltava tarkoitettuun käyttöön hyväksytyjä ja varustettu riittävällä johdinten poikkipinnalla. Väärien jatkojohtojen käyttäminen saattaa heikentää laitteen tehoa ja aiheuttaa johdon ylikuumentumisen.

Älä käytä vaurioituneita jatkojohtoja. Suositellut johtimen poikkipinnat ja suurimmat pituudet:

Verkkajännite	Poikkipinta:			
	1,5 mm ²	2,0 mm ²	2,5 mm ²	3,5 mm ²
100 V		20 m		40 m
110 V	20 m		40 m	
220–230 V	50 m		80 m	

 	<p>-VAROITUS-</p> <ul style="list-style-type: none">■ Laite, porakruunu ja porausjalusta ovat raskaita.■ Puristumisvaara.■ Käytä suojakypärää, suojakäsineitä ja turvajalkineita.
--------------	--------------------------------------------------------------------------------------------------------------------------------------------------------------------------------------------------------------------------

6.1 Sivukahva

6.1.1 Sivukahvan asentaminen

1. Kierrä sivukahva paikalleen ja kiristä kunnolla.

6.1.2 Sivukahvan paikan vaihtaminen

1. Irrota tulppa sivukahvan vaihtoehtoisesta sijoituspaikasta (vasenkätistä käyttöä varten). Sivukahvan kahva voidaan kiertää irti ja käyttää ruuvitaltana.
2. Kierrä sivukahva paikalleen ja kiristä kunnolla.
3. Kierrä tulppa paljaksi jääneeseen reikään.


6.1.3 Kääntävän imuadapterin (ja sivukahvan) säätäminen

1. Paina imuadapteri lukitus ulos lukitusrenkaan ja imuadapterin välisestä raosta.
2. Vapauta istukan ja sivukahvan välinen lukitusrenkas.
3. Käänä sivukahva haluttuun asentoon (15° askelein).
4. Kiristä lukitusrenkas kunnolla niin, että sen hammersus ja imuadapterin lukitus kytkettyvät.

6.2 Porakruunun asentaminen

-VAROITUS-

Käytä vain alkuperäisiä Hilti-porakruunuja ja -tarvikkeita!

-VAROITUS-	
	<ul style="list-style-type: none"> ■ Porakruunu kuumenee käytön ja teroituksen aikana. ■ Palovamman vaara. ■ Terät (segmentit) saattavat aiheuttaa vammoja. ■ Käytä suojakäsineitä porakruunua vaihtaessasi.





1. Avaa istukka kiertämällä sitä vastapäivään (istukan edestä katsoen).
2. Sovita porakruunu istukkaan.
3. Työnnä porakruunu istukkaan ja kierrä sitä, kunnes se lukittuu paikalleen.
4. Sulje istukka kiertämällä sitä myötäpäivään (istukan edestä katsoen).
5. Varmista porakruunusta vetämällä, että se on kunnolla kiinni istukassa.

6.3 Porausnopeuden valitseminen (vaihtevalitsimen asennot 1-2-3).




-VAROITUS-

Älä käytä vaihtevalitsinta laitteen käydessä. Odota, kunnes se on täysin pysähtynyt.

Käsivaraiskäyttö

	Ø		
	mm	Inch	
	40 - 62 12 - 37	1 5/8" - 2 1/2" 1/2" - 1 1/2"	II III
	122 - 162 67 - 112 12 - 62	4 3/4" - 6 1/2" 2 5/8" - 4 1/4" 1/2" - 2 1/2"	I II III

Poraustukikäyttö

	Ø		
	mm	Inch	
	57 - 152 28 - 52 12 - 25	2 1/4" - 6" 1 1/8" - 2" 1/2" - 1"	I II III

1. Valitse sopiva vaihte laitteeseen kiinnitetyn taulukon perusteella.

2. Siirrä vaihtevalitsin haluttuun asentoon kiertäen samalla porakruunua.

6.4 Kuivaporaus

6.4.1 Pölynpoistolaitteiston liittäminen

1. Irrota suojus kääntyvästä imuadapterista.
2. Kiinnitä poistoletku liitäntään.
3. Sulje sivukahvan vesiventtiili.

6.5 Käsivarainen märkäporaus

6.5.1 Vedensyötön liittäminen

1. Sulje sivukahvan vesiventtiili.
2. Asenna pölynpoistolaitännän suojus.
3. Liitä vesiletku letkuliittimeen.

6.6 Käsivarainen märkäporaus yhdessä vedenkerääjän kanssa

6.6.1 Vedenkerääjän asentaminen

Vedenkerääjän avulla vesi voidaan poistaa porakruunusta niin, ettei porausliete likaa työympäristöä. Paras tulos saavutetaan käyttämällä vedenkerääjän ja märkämurin yhdistelmää.



Yläpuolisiin rakenteisiin porattaessa on käytettävä vedenkerääjää ja märkämuria. Käännä sivukahva ja imuadapteri niin, että vedenkerääjää voidaan asentaa paikalleen. Keskitysrenkaan ja tiivisteiden läpimitan on vastattava käytettävää porakruunua.

1. Aseta vedenkerääjää alakautta kahden kiinnitystapin päälle.
2. Käännä vedenkerääjää ylös laitetta vasten.
3. Kiinnitä vedenkerääjää kiristämällä käsipyörää.
4. Liitä märkämurin vedenkerääjän liitäntään.

Vaihtoehtoisesti veden voi poistaa liitäntään liitetyn letkun kautta (ei ole sallittua yläpuolisiin rakenteisiin porattaessa).

6.6.2 Porausvyöyden rajoittimen säätäminen

1. Säädä rajoitin haluttua porausvyöyttä vastaavaan asentoon.
2. Lukitse rajoitin kiristysruuvilla.

6.7 Poraustuen käyttö

6.7.1 Poraustuen kiinnittäminen ankkurilla

-VAARA-

Käytä alusmateriaalille soveltuvaa ankkuria ja ota ankkurin valmistajan antamat kiinnitysohjeet huomioon.

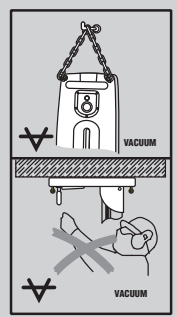
-HUOMAUTUS-

Hilti-metallilevitinankkurit, koko M12, soveltuvat yleensä timanttikiruunuporauslaitteen kiinnittämiseen lohkeilemattomaan betoniin. Silti joissakin olosuhteissa saattaa olla tarpeen käyttää vaihtoehtoja kiinnitystä. Jos sinulla on turvallista kiinnitystä koskevia kysymyksiä, ota yhteys Hiltin tekniseen tukeen.

1. Kiinnitä alusmateriaalille soveltuva ankkuri porareian keskikohdasta 200 mm päähän (ihanteellinen etäisyys).
2. Kierrä pikakiristyskara kiinni ankkuriin.
3. Aseta poraustuki pikakiristyskaraan ja suuntaa se porauskohdan keskipisteen osoittimen avulla oikein.
4. Kierrä kiristysmutteri pikakiristyskaraan, mutta älä vielä kiristä sitä kiinni.
5. Vaaita jalusta neljän vaaitusruuvien avulla. Varmista, että vaaitusruuvit ovat kunnolla vasten alusmateriaalia. Jalustan vesivaaka auttaa säätämisessä.
6. Lukitse vaaitusruuvit lukkomuttereilla.
7. Kiristä mutterit kiintoavaimella kiinni.
8. Varmista, että poraustuki on kunnolla kiinni.

6.7.2 Poraustuen kiinnittäminen tyhjöjalustan avulla

Tyhjöjalustan kahvassa on alipaineen päästöventtiili.



Yläpuolisiin rakenteisiin poraaminen pelkän tyhjöjalustan varassa ei ole sallittua.

1. Kierrä kiristysruuveja auki, kunnes niistä on näkyvisiä noin 5 mm ankkurointijalustan alapuolella.
2. Kytke tyhjöpumppun letku tyhjöjalustan liitäntään.
3. Käynnistä tyhjöpumppu ja vedä porausreian keskipisteen osoitin ulos. Paina alipaineen päästöventtiiliä ja aseta ankkurointijalusta paikalleen porausreian

keskipisteen osoittimen avulla. Kun jalusta on paikallaan, paina sitä tiukasti alustaa vasten ja vapautta päästöventtiili. Varmista ennen porauksen aloitusta ja sen aikana, että painemittarin osoitin on vihreällä alueella.

4. Oikaise ankkurointijalusta neljän kiristysruuvien avulla. Käytä apuna ankkurointijalustassa olevaa vesivaaka.
5. Lukitse kiristysruuvit lukitusmuttereilla.
6. Vaakaasuoraan porattaessa poraustuki on varmistettava lisäkiinnityksellä (esim. ankkuriin kiinnitetty ketju tms.).
7. Varmista poraustuen kunnollinen kiinnitys.

6.7.3 Poraustuen kiinnittäminen pikakiristystangon avulla

1. Vedä porausreian keskipisteen osoitin ulos ja sovita poraustuki paikalleen.
2. Aseta pikakiristystangon pää ankkurointijalustan syvennykseen (varo vesivaakaa ja painemittaria).
3. Kiinnitä poraustuki painamalla sitä kevyesti pikakiristystangolla.
4. Oikaise ankkurointijalusta neljän kiristysruuvien avulla. Käytä apuna ankkurointijalustassa olevaa vesivaakaa.
5. Lukitse kiristysruuvit lukitusmuttereilla.
6. Kiristä pikakiristystanko kunnolla paikalleen.
7. Varmista poraustuen kunnollinen kiinnitys.

6.8 Vedenkerääjä poraustukikäyttöön

Vedenkerääjän avulla vesi voidaan poistaa porakruunusta niin, ettei porausliete likaa työympäristöä. Paras tulos saavutetaan käyttämällä vedenkerääjän ja märkäimurin yhdistelmää. Yläpuolisiin rakenteisiin porattaessa on käytettävä vedenkerääjää ja märkäimuria. Poraustuen on oltava kohtisuorassa porattavaan pintaan nähden.

Vedenkerääjän kauluksen ja tiivisteiden läpimitan on vastattava käytettävää porakruunua.

1. Löysää rungon säätövipuja niin, että ohjausnastat vapautuvat.
2. Kallista runko.
3. Asenna vedenkerääjän pidin.
4. Käännä runko takaisin pystyasentoon.
5. Kiristä säätöviput niin, että ohjausnastat lukittuvat ja runko on tukevasti kiinnitetty.
6. Nosta pidintä ja työnnä vedenkerääjää mahdollisimman pitkälle pitimen alle.
7. Liitä vedenkerääjän liitäntään märkäimuri tai letku, jonka kautta vesi voi virrata pois työpisteestä.

6.9 Laitteen asentaminen poraustukeen

-VAROITUS-

Poraustuen vapautusvivun on oltava avatussa asennossa ja kelkan pitää olla liikeratansa yläpuolella. Syötömekanismiin pitää olla lukittu (ketjun lukitsin kytketty).

1. Sovita laitteen kiinnityslevy poraustuen kahden kiinnitystapin päälle. **(6.9.1)**
2. Käännä laitetta poraustukea vasten niin, että se lukittuu. **(6.9.2)**

- Varmista kunnan kiinnitys tarkistamalla vapautusvun asentoa. **(6.9.3)**
- Asenna käyttökytkimen lukitsin kahvan aukkoon. Käyttökytkimen lukitsin pitää käyttökytkimen ON-asennossa jatkuvan käytön aikana.
- Sulje sivukahvan vesiventtiili.
- Liitä syöttövesiletku.

6.10 Syöttöristikon asentaminen

- Asenna syöttöristikko akselille.
- Kiinnitä syöttöristikko nuppia kiristämällä. Syöttöristikon voi asentaa poraustuen kummallekin puolelle.

6.11 Poraustuen porauskulman säätäminen

(7,5° askelin, enintään 45°)

- Löysää rungon säätövipuja niin, että ohjausnastat vapautuvat.
- Käännä runko haluttuun asentoon.
- Sovita ohjausnastat paikalleen.
- Kiristä säätövipuja niin, että ohjausnastat lukittuvat ja runko on tukevasti kiinnitetty.
- Paina säätövipuja sisään ja käännä ne pystyasentoon.

6.12 Laitteen irrottaminen poraustuesta

-VAROITUS-

Liitäntäjohto on ensin irrotettava pistorasiasta. Syöttömekanismin pitää olla lukittu (ketjun lukitsin kytketty).

- Sulje sivukahvan vesiventtiili.
- Irrota syöttövesiletku.
- Irrota käyttökytkimen lukitsin kahvasta.
- Kannata laitetta toisella kädellä ja vapauta poraustuen vipu.
- Käännä laite irti poraustuesta.

7. Käyttö

7.1 Kytke laite verkkojännitteeseen


Verkkojännitteen pitää vastata laitteen tyyppikilpeen merkittyä jännitettä.



- Varmista, että laite on kytketty pois päältä ja irrota tarvittaessa käyttökytkimen lukitsin.
- Kytke liitäntäjohto pistorasiaan.
- Paina vikavirtasuojakytkimen ON-painiketta (merkkivalon pitää syttyä).
- Paina vikavirtasuojakytkimen TEST-painiketta (merkkivalo ei saa palaa).

-VAKAVA VAARA-

Jos merkkivalo ei sammu, laitteen käyttämistä ei saa jatkaa. Korjauta laite ammattitaitoisessa erikoiskorjaamossa alkuperäisillä varaosilla.

- Paina vikavirtasuojakytkimen ON-painiketta (merkkivalon pitää syttyä).

	-VAROITUS-
	<ul style="list-style-type: none"> ■ Laitteen käyttö aiheuttaa melua. ■ Melu voi vaurioittaa kuuloasi. ■ Käytä kuulonsuojaimia.

 	-VAROITUS-
	<ul style="list-style-type: none"> ■ Porattaessa porakruunusta saattaa sinkoutua sirpaleita. ■ Sirpaleet saattavat vahingoittaa silmiä ja aiheuttaa ruumiinvammoja. ■ Käytä suojalaseja ja -kypärää.

7.2 Kuivaporaus

7.2.1 Keskitysadapterin asentaminen

Jokaiselle porakruunukoolle on oma keskitysadapteri.

- Asenna keskitysadapteri porakruunun etupäähän.

7.2.2 Pölynimuri lisäpistorasialla

Pölynimuri käynnistyy automaattisesti, kun laite kytketään päälle. Kun laite kytketään pois päältä, pölynimuri kytketty automaattisesti pois päältä lyhyen viiveen jälkeen.

Päälle kytkeminen

- Paina laitteen käyttökytkintä.
- Käytä aluksi keskitysadapteria. Aloita poraus ja jatka, kunnes segmentit ovat sahanneet uran porattavaan materiaaliin.
- Kytke laite pois päältä.
- Irrota keskitysadapteri ja jatka porausta.

Päältä kytkeminen

- Kytke laite pois päältä.
- Poista poraussydän tarvittaessa.

7.2.3 Pölynimuri ilman lisäpistorasiaa

Päälle kytkeminen

1. Kytke pölynimuri päälle.
2. Paina laitteen käyttökytkintä.

Päältä kytkeminen

1. Kytke laite pois päältä.
2. Anna pölynimurin käydä muutaman sekunnin ajan porauksen päätyttyä, jotta kaikki pöly ehtii poistua.

7.3 Käsivarainen märkäporaus

Päälle kytkeminen

1. Avaa sivukahvan vesiventtiiliä, kunnes haluttu vesivirtaama on saavutettu. Vesivirtaama näkyy kahvan ilmaisimesta.
2. Paina käyttökytkintä.
3. Pidä laitetta aluksi hieman vinossa porattavaan pintaan nähden. Tämä helpottaa reiän aloitusta.
4. Kun materiaalissa on riittävä alkureikä, käännä laite kohtisuoraan ja jatka poraamista.

Päältä kytkeminen

1. Kytke laite pois päältä.
2. Sulje sivukahvan vesiventtiili.

7.4 Käsivarainen märkäporaus yhdessä vedenkerääjän kanssa

Laitte voidaan keskittää tarkasti vedenkerääjän etureunassa olevien kohdistusmerkkien avulla.

Päälle kytkeminen

1. Kytke vedenpoisto päälle (jos käytössä).
2. Avaa sivukahvan vesiventtiiliä hitaasti, kunnes haluttu vesivirtaama on saavutettu. Vesivirtaama näkyy sivukahvan ilmaisimesta.
3. Paina käyttökytkintä.
4. Pidä laitetta aluksi hieman vinossa porattavaan pintaan nähden. Tämä helpottaa reiän aloitusta.
5. Kun materiaalissa on riittävä alkureikä, käännä laite kohtisuoraan ja jatka poraamista.

Päältä kytkeminen

1. Kytke laite pois päältä.

-VAARA-

Yläpuolisiin rakenteisiin porattaessa porakruunuun jää hieman vettä. Varmista, ettei vesi pääse valumaan laitteen päälle.

2. Sulje sivukahvan vesiventtiili.
3. Kytke pölynimuri pois päältä (jos käytössä).
4. Poista poraussydän tarvittaessa.

7.5 Märkäporaus poraustuen avulla

Päälle kytkeminen

1. Kytke (märkä) imuri päälle (jos käytössä).
2. Avaa sivukahvan vesiventtiiliä hitaasti, kunnes haluttu vesivirtaama on saavutettu. Vesivirtaama näkyy sivukahvan ilmaisimesta.
3. Aseta käyttökytkimen lukitsin jatkuvaa käyttöä vastaavaan asentoon.

4. Vapauta ketjun lukitsin.

5. Siirrä syöttöristikkoo kääntämällä porakruunu koskeksiin porattavan materiaalin kanssa.
6. Paina porakruunua aluksi vain kevyesti pintaa vasten ja suurena painetta, kun porakruunu on keskittynyt reikään.
7. Tarkkaile ylikuormituksen ilmaisinta porauksen aikana. Vähennä porakruunun painetta ylikuormituksen ilmaisimen syytyessä.

Päältä kytkeminen

1. Sulje sivukahvan vesiventtiili.
2. Vedä porakruunu ulos reistä.
3. Kytke ketjun lukitsin.
4. Kytke laite pois päältä.
5. Kytke pölynimuri pois päältä (jos käytössä).
6. Poista poraussydän tarvittaessa.
7. Kytke laite pois päältä.

-VAARA-

Yläpuolisiin rakenteisiin porattaessa porakruunuun jää hieman vettä. Varmista, ettei vesi pääse valumaan laitteen päälle.

Varmista poraustuen vakavuus laskemalla laite ja porakruunu ankkurointijalustan varaan.

7.6 Toimenpiteet porakruunun jumituttua

Jos porakruunu jumittuu, kiikkakytin avautuu, kunnes käyttäjä kytkee laitteen pois päältä. Porakruunun voit irrottaa seuraavasti toimien:

Porakruunun irrotus kiintoavaimella

1. Irrota pistoke verkkopistorasiasta.
2. Tartu porakruunuun sopivalla kiintoavaimella läheltä kiinnityspäätä ja irrota porakruunu kiertämällä.
3. Liitä pistoke verkkopistorasiaan.
4. Jatka poraamista.

Porakruunun irrotus ristikkoavaimella (vain poraustukea käytettäessä)

1. Irrota pistoke verkkopistorasiasta.
2. Irrota porakruunu ristikkoavaimella alustasta.
3. Liitä pistoke verkkopistorasiaan.
4. Jatka poraamista.

7.7 Kuljetus ja varastointi:

-HUOMAUTUS-

- Kuljeta laite mieluiten aina Hilti-laukussa.
- Avaa vedensäädin ennen laitteen varastointia. Varmista erityisesti talvella, ettei laitteeseen jää vettä.

8. Huolto ja kunnossapito

Irrota liitäntäjohto pistorasiasta.

8.1 Porakruunujen huolto

Poista kaikki porakruunuihin tarttunut lika ja suojaa pinnat korroosiolta pyyhkimällä ne säännöllisesti öljytyllä liinalla. Pidä liitospää puhtaana ja kevyesti rasvattuna.

8.2 Laitteen huolto

Varmista, että liitäntäjohto on irrotettu pistorasiasta.

-VAROITUS-

Pidä kone ja etenkin sen kahvapinnat kuivina, puhtaina, öljyttöminä ja rasvattomina. Älä käytä silikoniasisältäviä hoitoaineita.

Koneen ulkokuori on valmistettu iskunkestävästä muovista. Kahvat on valmistettu synteettisestä kumista.

Älä koskaan käytä konetta, jos sen tuuletusraot ovat tukkeutuneet! Puhdista tuuletusraot varovasti kuivalla harjalla. Varo, ettei koneen sisään pääse tunkeutumaan vieraita esineitä. Puhdista koneen ulkopinnat kostealla liinalla säännöllisin välein. Älä käytä puhdistamiseen vesisuihkua, paine- tai höyrypesuria äläkä juoksevaa vettä! Muutoin koneen sähköturvallisuus vaarantuu.

Pyyhi istukka ja kiristysosat säännöllisesti liinalla ja voitele ne sitten Hilti-voiteluaineella. Poista kaikki lika ja poraussydämen kappaleet istukasta.

Irrota suodatin vedensyötön liitännästä ja huuhtelee suodatin vedellä normaalia virtaussuuntaa vastaan.

Jos vesivirtaaman ilmaisin on likaantunut, irrota osat ja puhdista ne. Älä käytä hiovia puhdistusaineita tai teräviä esineitä tarkistuslasin puhdistamiseen. Se saattaa heikentää vesivirtaaman ilmaisimen toimintaa.

8.3 Laitteen kunnossapito

Tarkista laitteen ulkoisten osien sekä käyttö- ja hallintalaitteiden kunto ja toiminta säännöllisin välein. Älä käytä laitetta, jos sen osat ovat vaurioituneet tai jos sen käyttö- ja hallintalaitteet eivät toimi moitteettomasti. Korjauta laite Hilti-huollossa.

Sähkötekniset korjaukset on teetettävä valtuutetulla sähköasentajalla.

8.4 Poraustuen hoito

8.4.1 Ketjun hoito

Tarkista, että ketjun ohjaimet ovat puhtaat ja ettei niissä ole porauslietettä. Ketju on pidettävä kevyesti rasvattuna.

8.5 Poraustuen kunnossapito

8.5.1 Kelkan liikkeen säätäminen

Kelkan tulisi liikkua kevyesti, mutta ilman välystä. Liike voidaan säätää ruuveilla (2 ylhäällä ja 2 alhaalla).

8.5.1.1 Liikkeen jäykentäminen

1. Löysää alaruuvia.

2. Kiristä yläruuvia tarvittava määrä.

3. Kiristä alaruuvia niin paljon kuin mahdollista.

8.5.1.2 Liikkeen keventäminen

1. Löysää yläruuvia.

2. Kiristä alaruuvia niin paljon kuin mahdollista.

8.5.2 Ketjun kireyden säätäminen

Kelkka ylempässä ääriasennossa ja poraustuki vaaka-asennossa ketjun tulisi roikkua vain hieman. Ketjun kireys voidaan säätää kahdella ruuvilla (ketjun kuvake suojuksessa).

● Ketju kiristyy, kun ruuvia kierretään myötäpäivään.

● Ketju löystyy, kun ruuvia kierretään vastapäivään.

Molempien ketjujen on oltava yhtä kireällä.

9. Vianmääritys

Vika	Mahdollinen syy	Korjaus
Työkalu ei käynnisty.	Vika sähköverkossa	Kytke pistorasiaan toinen sähkölaite ja tarkista toiminta.
	Liitäntäjohto tai pistoke viallinen	Valtuutetun sähköasentajan on tarkastettava liitäntäjohto ja vaihdettava se tarvittaessa.
	Käyttökytkin viallinen	Valtuutetun sähköasentajan on tarkastettava käyttökytkin ja vaihdettava se tarvittaessa.
Moottori toimii, mutta porakruunu ei pyöri.	Vaihteisto viallinen	Korjauta laite Hilti-huollossa.
Porausteho laskee.	Vedenpaine/veden virtaama liian suuri	Säädä veden virtaamaa sivukahvan vesiventtiilillä.
	Porakruunu viallinen	Tarkista porakruunun kunto ja vaihda tarvittaessa.
	Vaihteisto viallinen	Korjauta laite Hilti-huollossa.
	Porakruunun segmentit kiillottuneet	Teroita porakruunu teroituslevyllä virtaavan veden alla.
Moottori pysähtyy.	Laite pysähtyy.	Käännä laite suoraan.
	Laite on ylikuumentunut. Moottorin lämpösuojaus on kytkeytynyt.	Kevennä kuormitusta ja käytä laitetta suurimmalla nopeudella painamalla käyttökytkintä useita kertoja.
	Sähkövika	Korjauta laite Hilti-huollossa.
	Tuuletin viallinen	Korjauta laite Hilti-huollossa.
Vesi ei virtaa.	Suodatin tai vesivirtaaman ilmaisin tukkeutunut	Irrota suodatin sekä veden virtaaman ilmaisin ja huuhtelee puhtaaksi.
Vettä vuotaa vaihteiston kotelosta.	Akselin tiiviste/kääntövä imuadapteri viallinen	Korjauta laite Hilti-huollossa.
Porakruunua ei voi asentaa istukkaan.	Porakruunun liitospää tai istukka likainen tai vaurioitunut	Puhdista liitospää ja istukka. Vaihda vaurioituneet osat.
Vettä vuotaa istukasta.	Porakruunun liitospää tai istukka likainen	Puhdista liitospää ja istukka.
	Istukan tiiviste viallinen	Tarkista tiiviste ja vaihda tarvittaessa.
Porauslaitteistossa liikaa välystä.	Ohjaimissa liikaa välystä	Säädä ohjaimet.
	Ketjun kireys virheellinen	Kiristä ketju.
	Kääntömekanismi löysällä	Kiristä kääntömekanismin säätövipu (6.11).

10. Hävittäminen



Hilti-sähkötyökalut on valmistettu pääosin kierrätettävistä materiaaleista. Kierrätyksen edellytyksenä on materiaalien asianmukainen erottelu. Hilti (Suomi) Oy ottaa vanhat työkalut kierrätettäväksi. Lisätietoja saat Hilti-asiakaspalvelusta tai Hilti-myyntiedustajalta.

Porauslietteen hävittäminen

Ympäristönsuojelun kannalta porauslietteen johtaminen viemäriin ilman esikäsittelyä on ongelmallista. Ota paikallisilta viranomaisilta selvää paikallisista määräyksistä.

Suosittamme seuraavaa esikäsittelyä:

Kerää porausliete talteen (esimerkiksi märkäimurilla) Anna porauslietteen saostua ja hävitä kiinteä aines rakennusainejätteen mukana (saostusaineen käyttö nopeuttaa kiinteän aineksen sakkautumista pohjalle). Ennen kuin johdat jäljelle jäävän veden (alkaalista, ph-arvo > 7) viemäriin, neutraloi se sekoittamalla siihen hapanta neutralointiainetta, tai laimenna runsaalla vedellä.



Koskee vain EU-maita

Älä hävitä sähkötyökalua tavallisen kotitalousjätteen mukana!

Vanhoja sähkö- ja elektroniikkalaitteita koskevan EU-direktiivin ja sen maakohtaisten sovellusten mukaisesti käytetyt sähkötyökalut on toimitettava ongelmajätteen keräyspisteeseen ja ohjattava ympäristöystävälliseen kierrätykseen.

11. Koneiden valmistajan myöntämä takuu

Hilti takaa, ettei toimitetussa tuotteessa ole materiaali- tai valmistusvikoja. Tämä takuu on voimassa edellyttäen, että tuotetta käytetään, käsitellään, hoidetaan ja puhdistetaan Hiltin käyttöohjeen mukaisesti oikein, ja että tuotteen tekninen kokonaisuus säilyy muuttumattomana, ts. että tuotteessa käytetään ainoastaan alkuperäisiä Hilti-kulutusaineita ja -lisävarusteita sekä -varaosia.

Tämä takuu kattaa viallisten osien veloituksettoman korjauksen tai vaihdon tuotteen koko käyttöajan. Osat, joihin kohdistuu normaalia kulumista, eivät kuulu tämän takuun piiriin.

Mitään muita vaateita ei hyväksytä, paitsi silloin kun tällainen vastuun rajoitus on laillisesti tehoton. Hilti ei vastaa suorista, epäsuorista, satunnais- tai seurausvahingoista, menetyksistä tai kustannuksista, jotka aiheutuvat tuotteen käytöstä tai soveltumattomuudesta käyttötarkoitukseen. Hilti ei myöskään takaa tuotteen myyntikelpoisuutta tai sopivuutta tiettyyn tarkoitukseen.

Korjausta tai vaihtoa varten tuote ja/tai kyseiset osat on viipymättä vian toteamisen jälkeen toimitettava lähimpään Hilti-huoltoon.

Tämä takuu kattaa kaikki takuuvaihto- ja korjauspalvelut Hiltin puolelta ja korvaa kaikki takuita koskevat aikaisemmat tai samanaikaiset selvitykset ja kirjalliset tai suulliset sopimukset.

12. Vaatimustenmukaisuusvakuutus (originaali)

Merkintä:	Timanttiporausliete
Tyypimerkintä:	DD 130
Suunnitteluvuosi:	2001

Vakuutamme omalla vastuullamme, että tässä käyttöohjeessa kuvattu tuote täyttää seuraavien direktiivien ja normien vaatimukset: 2006/42/EY, 2004/108/EY, EN 61029-1, 2011/65/EY, EN ISO 12100.

Hilti Corporation, Feldkircherstrasse 100,
FL-9494 Schaan

Paolo Luccini
Head of BA Quality & Process Management
BA Electric Tools & Accessories
11/2009

Johannes W. Huber
Senior Vice President
BU Diamond
11/2009

Tekninen dokumentaatio:

Hilti Entwicklungsgesellschaft mbH
Zulassung Elektrowerkzeuge
Hiltistrasse 6
86916 Kaufering
Deutschland

DD 130 diamant kjerneborre maskin

Det er viktig at brukerveiledningen blir lest før maskinen tas i bruk for første gang.

Ha bruksanvisningen i nærheten av utstyret.

Vær sikker på at brukerveiledningen følger med når andre bruker støvsugeren.

Deler til DD 130 **1**

Kjerne borre maskin

- ① Vann svivel / uttreknings hode
- ② Vann flom indikator
- ③ Nivå indikator
- ④ Skru trekker (side håndtak)
- ⑤ Side håndtak
- ⑥ Vann flom regulerer
- ⑦ Vann slange feste
- ⑧ Gir velger
- ⑨ Gir seksjon
- ⑩ Motor
- ⑪ Av/på knapp
- ⑫ Grep
- ⑬ Over belastning indikator
- ⑭ Støpsel med PRCD
- ⑮ Måle plate
- ⑯ Data tilpasser
- ⑰ Skru plugg (vann svivel / uttreknings hode)
- ⑱ Deksel(vann svivel / uttreknings hode)
- ⑲ Uttreknings feste
- ⑳ Vann svivel lås
- ㉑ Lukke ring (vann svivel / uttreknings hode)
- ㉒ Chuck

Borre stativ

- ㉓ Grep
- ㉔ Kjede
- ㉕ Søyle
- ㉖ Hex. Nøkkel
- ㉗ Bærere
- ㉘ Løsne skrue
- ㉙ Spesifikasjons plate
- ㉚ Vakuum utslipps rør

- ㉛ Vakuum slange feste
- ㉜ Vakuum beskyttelse
- ㉝ Grunn plate
- ㉞ Kjede stopper
- ㉟ Hånd hjul
- ㊱ På/av lukke knapp
- ㊲ Press måler
- ㊳ Nivå indikator
- ㊴ Justering skrue
- ㊵ Heve skrue
- ㊶ Hull senter identifikator
- ㊷ Lokalisering tapp
- ㊸ Dybde måler
- ㊹ Lukke mekanisme
- ㊺ Montering pinne
- ㊻ Kjede spenner

Vannoppsamler for hånd holdt bruk

- ㊼ Sikkerhets skrue
- ㊽ Skrue klemme
- ㊾ Dybde måler
- ㊿ Vannoppinningskopp
- ① Senter ring
- ② Senter ring adapter
- ③ Deksel
- ④ Monterings plate

Vannoppsamler for bruk av borre stativ

- ⑤ Holder
- ⑥ Vannoppsamlings kopp
- ⑦ Deksel

Innhold	Side
1. Generell informasjon	44
2. Beskrivelse	44
3. Verktøy og tilbehør	45
4. Teknisk data	45
5. Sikkerhets regler	47
6. Før bruk	49
7. Opprasjon	52
8. Pleie og vedlikehold	53
9. Problembeskrivelse	54
10. Kunngjørelse av gjenbruk	55
11. Produsentens garanti for maskiner	55
12. EC kunngjørelse av overensstemmelse (original)	55

1. Generell informasjon

1.1 Indikasjoner og deres betydning

-FARE-

Dette ordet brukes om en umiddelbart truende fare som kan føre til alvorlige personskader eller død.

-ADVARSEL-

Dette ordet brukes for å rette fokus på potensielt farlige situasjoner, som kan føre til alvorlige personskader eller død.

-FORSIKTIG-

Dette ordet brukes for å rette fokus på potensielt farlige situasjoner som kan føre til mindre personskader eller skader på utstyret eller annen eiendom.

-INFORMASJON-

For bruksanvisninger og andre nyttige informasjonjer.

1.2 Bildogram

Advarsel skilt



Generell advarsel



Advarsel: elektrisitet



Advarsel: varm overflate

Forbud skilt



Ha på øye beskyttelse



Ha på hjelm



Ha på øre beskyttelse



Ha på sikkerhets hansker



Ha på sikkerhets sko

Symboler



Les bruksanvisning for bruk



Avfall før resirkuleres

A

Ampere

V

Volt

W

Watt

Hz

Hertz

/min

Omdreining per minutt

rpm

Omdreining per minutt

~

Vekselstrøm

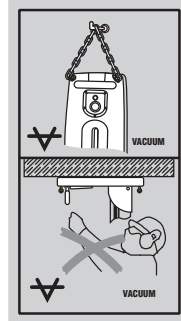
n₀

Nominelt tomgangsturtall

∅

Diameter

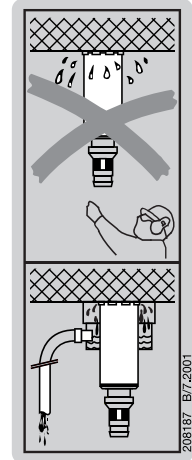
På borre maskinen:



Topp
Ekstra sikring må bli gjort for å sikre systemet når du borer loddrett, med vakuum feste.

Bunn
Borre stativet må festes med et anker når den blir brukt til boring over hodet.

På verktøyet:



Bruk vannopsamlersystemet i sammenheng med en våt type støvsuger. Dette er påbudt når arbeid over hodet blir utført.

I Disse nummerne korresponderer med medfølgende illustrasjoner. Illustrasjonene kan bli funnet i utbretten av forsiden. Hold denne siden oppe når du studerer brukerveiledningen.

I denne brukerveiledningen er DD130 referert til som "verktøyet".

Oppsporing av redskapets identifikasjon

Type og serie nummer kan bli funnet på type merket på verktøyet. Lag en notat av disse nummerene i din brukerveiledning, og alltid referer til disse nummerene når du henvender deg til aktuelle reparasjon og service avdelinger.

Type: DD 130

Serie nummer: _____

2. Beskrivelse

DD 130 er en elektronisk diamant kjerneborrmaskin, laget for hånd holdt bruk, eller for montering på borre stativ. Den er egnet for både våt og tørr boring.

Bruk som beregnet

DD 130 er laget for å kjerneborre hull.

Virke måte:

Med/uten borre stativ	Kjerne del diameter		Borre vei
Hånd holdt/tørr	Med støvoppopsamler	Ø 12–162 mm	Alle veier
Hånd holdt/våt	Uten vannoppopsamlings system	Ø 12– 62 mm	Ikke oppover
Hånd holdt/våt	Med vannoppopsamlings system	Ø 12– 62 mm	Alle veier
Borre stativ/våt	Uten vannoppopsamlings system	Ø 12–152 mm	Ikke oppover
Borre stativ/våt	Med vannoppopsamlings system	Ø 12–132 mm	Alle veier

Når det bores oppover, må en våttype støvsuger være tilkoble.

● Loddrett boring med støvsuger festet, er bare lov når ekstra sikkerhet for å sikre bor- stativet, er i bruk. Bor stativet skal bare bli brukt til overhode drilling når et anker blir brukt.

● Boring i materiale som inneholder asbest er ikke tillatt.

● Det er ikke tillatt å gjøre forandringer og modifikasjoner på verktøyet.

● For å unngå sjansen for skade, bruk kun originale Hilti tilbehør og ekstra utstyr.

● Les informasjonen i bruksanvisningen som har med opprassjons instruksjer, pleie og vedlikehold å gjøre.

● Verktøyeter regnet for profesjonelt bruk.

● Verktøyet skal kun bli brukt, og reparert av trent og autorisert personell. Disse personene må bli informert om spesielle problemer som har oppstått.

● Verktøyet med tilbehør kan bli ødelagt når det brukes feil, og av u trent personell eller ikke som i veiledningen.

● **Maskinen må kobles til et tilfredsstillende sikret strømuttak med jordet kontakt.**

Innhold:

- Maskin
- Side håndtak
- Hilti-koffert eller kartongemballasje
- Bruksanvisning
- Støvfil
- Skrunøkkel SW 19
- Greas
- Vernebrille

3. Tilbehør

Virke måte	Del nr.
Vakuumpumpe	47034
Rask slippe brakett	9870
Vannoppopsamlings system for hånd holdt bruk	370462
Vannoppopsamlings system for bruk i bor stativ	370460
Bor stativ	370461
Hjul montasje	232228
DD-CS M12S-SM klemme spindel	251830
DD-CN SML klemme mutter	251834

4. Teknisk data

Nominell spenning: *	110 V	120 V	220 V	230 V	240 V
Nominell strøm:	1700 W	1800 W	1900 W	1900 W	1900 W
Nominell sirkulering: *	16 A	15 A	9,1 A	8,7 A	8,3 A
Hoved frekvens:	50/60 Hz	50/60 Hz	50/60 Hz	50/60 Hz	50/60 Hz

Nominell fart uten press 1. gir	780 /min
2. gir	1400 /min
3. gir	2600 /min
	(skift ir bare når rotasjon har stoppet)
Maksimalle tillatte vann supplerings press:	6 bar (i tilfelle høyere press, må en press reduserer bli montert til uttaket)
Dimensjoner (L×V×H):	515×114×170 mm
Vekt i henhold til EPTA-prosedyre 01/2003:	7,3 kg
Vekt borestativ:	13,1 kg
Innblanding immunitet:	Som per EN 55014-1
Radio og TV innblanding undertrykkelse:	Som per EN 55014-2
Beskyttelses klasse som per EN 60745 og IEC 60745:	Beskyttelses klasse 1 (jordet)
Drille dybde:	Max. 430 med mer (730 mm med skjøte)

-INFORMASJON-

Vibrasjonsnivået som er angitt i denne bruksanvisningen er målt i samsvar med den normerte målemetoden i EN 60745 og kan brukes til sammenligning av elektroverktøy. Det egner seg også for en foreløpig vurdering av vibrasjonsbelastningen. Det angitte vibrasjonsnivået representerer den primære bruken av elektroverktøyet. Hvis elektroverktøyet imidlertid brukes til andre bruksområder, med avvikende verktøy eller med utilstrekkelig vedlikehold, kan vibrasjonsnivået avvike. Dette kan øke vibrasjonsbelastningen betraktelig gjennom hele arbeidsperioden. For en nøyaktig vurdering av vibrasjonsbelastningen må man også ta hensyn til tidsrommene da maskinen er slått av eller er i gang, men ikke i drift. Dette kan redusere vibrasjonsbelastningen betraktelig gjennom hele arbeidsperioden. Fastsett ekstra sikkerhetstiltak for å beskytte operatøren mot effekten av vibrasjonene, for eksempel: Vedlikehold av elektroverktøy og innsatsverktøy, holde hendene varme, organisering av arbeidsprosesser.

Støy og vibrasjons informasjon (i følge EN 60745):

Typisk A-vektet lyd styrke nivå (L _{WA}):	100 dB (A)
Typisk A- vekt utsendelse lyd trykk nivå (L _{pA}):	89 dB (A)

Usikkerheten er 3 dB for nevnte lyd nivå iht. EN 60745.

Bruk hørselvern!

Triaksiale vibrasjonsdata (målt ifølge 60745-2-1 på håndtakene, og ifølge EN 61029 på dreiekrusset)

Triaksiale vibrasjonsverdier (vibrasjonsvektorsum) EN 60745-2-1 (håndholdt)

	Boring i betong (våt)	Boring i kalk-stein (HDMU, tørr)	Boring i kalk-stein (PCM, tørr)
Vibrasjon a_h DD	5 m/s²	6 m/s²	11 m/s²
Usikkerhet K	1,5 m/s ²	1,5 m/s ²	2,5 m/s ²

Triaksiale vibrasjonsverdier (vibrasjonsvektorsum) EN 61029, DD 130-Rig (stativdrift)

	Boring i betong (våt)	Boring i kalk-stein (HDMU, tørr)	Boring i kalk-stein (PCM, tørr)
Vibrasjon a_h DD	3,5 m/s²	–	–
Usikkerhet K	1,5 m/s ²	–	–

Informasjon for brukeren i følge EN 61000-3-11:

Skrue på verktøyet kan føre til et midlertidig spennings fall. Under ugunstige situasjoner i hoved strømmen, kan dette påvirke andre annet utstyr. Ingen påvirkning bør bli ventet når uttaket er på < 15 ohm.

* Verktøyet er tilgjengelig i varierte spenninger. Vær vennlig å les på informasjons platen for finne ut om aktuelle spenninger.

Retten til tekniske omgjøring er reservert

5. Sikkerhets regler

5.1 Generelle sikkerhetsinformasjoner

-ADVARSEL- Les gjennom alle anvisningene. *Feil ved overholdelsen av nedenstående anvisninger kan medføre elektriske støt, brann og/eller alvorlige skader. Det nedenstående anvendte uttrykket "elektroverktøy" gjelder for strømledende elektroverktøy (med ledning) og batteridrevne elektroverktøy (uten ledning).*

TA GODT VARE PÅ DISSE ANVISNINGENE.

5.1.1 Arbeidsplassen

- Hold arbeidsområdet rent og ryddig.** *Rotete arbeidsområder og arbeidsområder uten lys kan føre til ulykker.*
- Ikke arbeid med maskinen i eksplosjonsutsatte omgivelser - der det befinner seg brennbare væsker, gass eller støv.** *Elektroverktøy lager gnister som kan antenne støv eller damper.*
- Hold barn og andre personer unna når elektroverktøyet brukes.** *Hvis du blir forstyrret under arbeidet, kan du miste kontrollen over maskinen.*

5.1.2 Elektrisk sikkerhet

- Støpselet til maskinen må passe inn i stikkontakten.** *Støpselet må ikke forandres på noen som helst måte. Ikke bruk adapterstøpsler sammen med jordede maskiner. Bruk av støpsler som ikke er forandret på, og passende stikkontakter reduserer risikoen for elektriske støt.*
- Unngå kroppskontakt med jordede overflater slik som rør, ovner, komfyrer og kjøleskap.** *Det er større fare ved elektriske støt hvis kroppen din er jordet.*
- Hold maskinen unna regn eller fuktighet.** *Dersom det kommer vann i et elektroverktøy, øker risikoen for elektriske støt.*
- Ikke bruk ledningen til andre formål, f.eks. til å bære maskinen, henge den opp eller trekke den ut av stikkontakten.** *Hold ledningen unna varme, olje, skarpe kanter eller maskindeler som beveger seg. Med skadede eller opphopede ledninger øker risikoen for elektriske støt.*
- Når du arbeider utendørs med et elektroverktøy, må du kun bruke en skjøteledning som er godkjent til utendørs bruk.** *Når du bruker en skjøteledning som er egnet for utendørs bruk, reduseres risikoen for elektriske støt.*

5.1.3 Personssikkerhet

- Vær oppmerksom, pass på hva du gjør, gå fornuftig frem når du arbeider med et elektroverktøy.** *Ikke bruk maskinen når du er tret eller er påvirket av narkotika, alkohol eller medikamenter. Et øyeblikks uoppmerksomhet ved bruk av maskinen kan føre til alvorlige skader.*
- Bruk personlig verneutstyr og husk alltid å bruke vernebriller.** *Bruk av personlig verneutstyr som støvmaske, sklisikre vernesko, hjelm eller hørselsvern – avhengig av type og bruk av elektroverktøyet – reduserer risikoen for skader.*

- Unngå å starte verktøyet ved en feiltagelse.** *Forviss deg om at på-/av-bryteren står i "AV"-posisjon før du setter støpselet inn i stikkontakten. Hvis du holder fingeren på bryteren når du bærer maskinen eller kobler maskinen til strømmen i innkoblet tilstand, kan dette føre til uhell.*
- Fjern innstillingsverktøy eller skrunøkler før du slår på elektroverktøyet.** *Et verktøy eller en nøkkel som befinner seg i en roterende maskindel, kan føre til skader.*
- Ikke overvurder deg selv. Sørg for å stå stødig og i balanse.** *Dermed kan du kontrollere maskinen bedre i uventede situasjoner.*
- Bruk alltid egnede klær.** *Ikke bruk vide klær eller smykker. Hold hår, tøy og hansker unna deler som beveger seg. Løstsittende tøy, smykker eller lang hår kan komme inn i deler som beveger seg.*
- Hvis det kan monteres støvavsug- og oppsamlingsinnretninger, må du forvise deg om at disse er tilkoblet og brukes på korrekt måte.** *Bruk av disse innretningene reduserer farer på grunn av støv.*

5.1.4 Aktsom håndtering og bruk av elektroverktøy

- Ikke overbelast maskinen.** *Bruk et elektroverktøy som er beregnet til den type arbeid du vil utføre. Med et passende elektroverktøy arbeider du bedre og sikrere i det angitte effektområdet.*
- Ikke bruk elektroverktøy med defekte på-/avbryter.** *Et elektroverktøy som ikke lenger kan slås av eller på, er farlig og må repareres.*
- Trekk støpselet ut av stikkontakten før du utfører innstillinger på maskinen, skifter tilbehørsdeler eller legger maskinen bort.** *Disse tiltakene forhindrer en utilsiktet starting av maskinen.*
- Elektroverktøy som ikke er i bruk må oppbevares utilgjengelig for barn.** *Ikke la maskinen brukes av personer som ikke er fortrolig med dette eller ikke har lest disse anvisningene. Elektroverktøy er farlige når de brukes av uerfarne personer.*
- Vær nøye med vedlikeholdet av maskinen.** *Kontroller om bevegelige maskindeler fungerer feilfritt og ikke klemmes fast, og om deler er brukt eller skadet, slik at dette innvirker på maskinens funksjon. La skadede deler repareres før maskinen brukes. Dårlig vedlikeholdte elektroverktøy er årsaken til mange uhell.*
- Hold skjæreverktøyene skarpe og rene.** *Godt stelte skjæreverktøy med skarpe skjær setter seg ikke så ofte fast og er lettere å føre.*
- Bruk elektroverktøy, tilbehør, verktøy osv. i henhold til disse anvisningene og slik det er foreskrevet for denne spesielle maskintypen.** *Ta hensyn til arbeidsforholdene og arbeidet som skal utføres. Bruk av elektroverktøy til andre formål enn det som er angitt kan føre til farlige situasjoner.*

5.1.5 Service

- a) Maskinen din skal alltid kun repareres av kvalifisert fagpersonale og kun med originale reservedeler. Slik opprettholdes maskinens sikkerhet.

5.2 Produktspesifikke sikkerhetsinstruksjoner

5.2.1 Personikkerhet

- a) **Bruk hørselsvern.** Påvirkning av støy kan føre til hørselstap.
- b) **Bruk ekstrahåndtakene** som ble levert sammen med maskinen. Tap av kontroll kan føre til skader.
- c) **Bruk kun boret** når det er holdt med begge hender, eller montert på et stativ. Sjekk nøye at sidehåndtaket er riktig montert, og forsvarlig strammet til. Hold alltid maskinen i begge hender under bruk.
- d) Hvis maskinen brukes uten støvavsug, må man bruke støvmaske når arbeidet forårsaker støv.
- e) For å unngå risiko for snubling hold alltid ledningene bakover ved jobbing.
- f) Unngå å snuble i støpselet, skjøteledningen og slangen.
- g) Unngå kropps kontakt med borre støv.
- h) Forsikre deg om at vann svivelen/feste hodet (side håndtak monteringen) er sikret nok i posisjon og at lukke ringen er strammet (se 6.1.3).
- i) Forsikre deg om at verktøyet er sikkert festet når det er montert til borre stativet.
- j) Ikke rør roterende deler.
- k) Maskinen skal ikke brukes av barn eller svake personer uten oppsyn.
- l) Barn må få beskjed om at de ikke får lov til å leke med maskinen.
- m) Støv fra materialer som blyholdig maling, enkelte tresorter, mineraler og metaller kan være helseskadelig. Berøring eller innånding av slike typer støv kan fremkalle allergiske reaksjoner og/eller luftveissykdommer hos brukeren og andre personer som oppholder seg i nærheten. Bestemte typer støv som eikestøv eller bøkstøv regnes som kreftfremkallende, særlig i forbindelse med stoffer for trebehandling (kromat, trepleiemidler). Asbestholdige materialer skal kun bearbeides av kvalifisert personell. **Bruk støvavsug der det er mulig.** For å oppnå høy effekt på støvavsug et bør du bruke et egnet, mobil støvavsug for tre og/eller mineralstøv som er anbefalt av Hilti og som er tilpasset dette elektroverktøyet. Sørg for at arbeidsplassen er godt luftet. Bruk av åndedrettsvern med filterklasse P2 anbefales. Ta hensyn til gjeldende lokale forskrifter for materialene som skal bearbeides.

5.2.2 Aktsom håndtering og bruk av elektroverktøy

- a) Sørg for at verktøyet i bruk er kompatibelt med chuck-systemet, og at det er festet riktig i chucken.
- b) **Ved strøbrudd:** Slå av maskinen, trekk ut støpselet.
- c) Les instruksjonene som har med pleie og vedlikehold og om skifte av kjerne bor å gjøre.

- d) Hold maskinen i de isolerte gripeflatene hvis det er fare for at verktøyet kan skade skjulte elektriske ledninger eller strømledningen. Ved kontakt med strømførende ledninger blir ubeskyttede metalldeleler på maskinen satt under spenning, og brukeren kan få elektrisk støt.

5.2.3 Elektrisk sikkerhet

- a) **Kontroller arbeidsområdet** for skjulte elektriske ledninger, gass- og vannrør før du starter arbeidet, f. eks. ved hjelp av en metallidetektor. Eksterne metalldeleler på maskinen kan bli strømførende ved at f. eks. en strømførende kabel utilsiktet blir skadet. Dette innebærer en alvorlig fare for elektrisk støt.
- b) **Kontroller ledningen** til maskinen med jevne mellomrom og la en fagmann skifte den hvis det er feil på den. Kontroller skjøteledninger med jevne mellomrom og skift ut hvis det er feil på disse. Ikke ta på ledningen hvis den skades under arbeid. Koble fra ledningen. Skader på ledninger og skjøteledninger innebærer en fare for elektrisk støt.
- c) **Ikke minst hvis du ofte bearbeider ledende materialer, bør skitne maskiner** med jevne mellomrom derfor kontrolleres av MoteK service. Støv, især av ledende materialer, eller fuktighet på maskinens overflate gjør at det er vanskelig å holde den, og under ugunstige forhold kan det føre til elektrisk støt.
- d) **Maskinen må aldri brukes uten den medfølgende PRCD'en** (for GB-versjon, aldri uten skilletrafo). Kontroller PRCD'en før hver bruk.
- e) **Vær sikker på at verktøyet er skrudd av** (fjern låseknappen) før PRCD'en (grunn feil innblander) blir skrudd på. Prøv PRCD'en hver gang før bruk (se 7.1)

5.2.4 Arbeidsplassen

- a) **Sørg for god belysning på arbeidsplassen.**
- b) **Sørg for at arbeidsplassen er godt luftet.**
Arbeidsplasser med dårlig ventilasjon kan føre til helseskader på grunn av støvbelastning.

5.2.5 Personell beskyttelses utstyr

Brukeren og andre personer som deltar må ha på passende sikkerhets briller, sikkerhets hjelm, hørsels vern, sikkerhets hansker, sikkerhets støvler når verktøyet er i bruk.



5.2.6 Beskyttelses utstyr

Aldri bruk verktøyet uten påfølgende sikkerhetsutstyr:

- Aldri bruk verktøyet uten vann oppsamler / bor holder.
- Ekstra sikkerhets tiltak må bli brukt når det blir boret loddrett med vakuuim tilkoblet.
- Borre stativet må bli festet med et anker eller en rask slippe brakett når det bores over hodet.
- Bruk av et vann oppsamlings system sammen med en våt- type støvsuger er påbudt når du våt borer over hodet.

6. Før bruk

Det er essensielt at sikkerhets forskriftene i denne bruks-anvisningen blir lest og observert.

-FORSIKTIG-

Koble fra strømmen.



Hvis skjøteledning blir brukt: Bare skjøte ledninger av godkjent type for beregnet bruk må bli brukt. Feil kan lede til redusert ytelse, og kan føre til at kabelen blir overopphetet. Ødelagte skjøte ledninger må erstattes.

Anbefalte kabel, og maksimum lengder er:

Hoved spenning	Transformator krysse seksjon		
	1,5 mm ²	2,0 mm ²	2,5 mm ² 3,5 mm ²
100 V		20 m	40 m
110 V	20 m		40 m
220-230 V	50 m		80 m

-FORSIKTIG-	
 	<ul style="list-style-type: none"> ■ Verktøyet, diamant kjerne boret og borre stativet er tungt. ■ Dette gir en fare for at du kan klemme deler av kroppen. ■ Ha på deg sikkerhets hjelm, sikkerhets hansker og sikkerhets sko.

6.1 Side håndtak

6.1.1 Tilpasse side håndtaket

1. Skru sidehåndtaket på verktøyet og stram det sikkert.

6.1.2 Tilpasse side håndtaket i forskjellige posisjon-er

1. Fjern skruer pluggen i posisjonen hvor side håndtaket skal bli tilpasset (for eksempel for venstre hendte). Grepet på enden av sidehåndtaket kan bli skrudd av og brukt som skrutrekker.
2. Skru sidehåndtaket på verktøyet i ønsket posisjon og stram det sikkert.
3. Sett i skruer pluggen i det forstørrede gjenge hullet.

6.1.3 Tilpasse uttreknings hodet / vann svivelen (og sidehåndtaket)

1. Press vann svivel lukkeren ut over gapet mellom lukke ringen og vann svivelen / uttreknings hodet.
2. Slipp opp lukke ringen mellom chucken og side håndtaket.

3. Flytt sidehåndtaket i ønsket posisjon (15 grader økning).
4. Stram lukke ringen inntil tennene og vann svivelen lås møtes.

6.2 Tilpasse diamant kjerne boret

-FORSIKTIG-

Bruk kun originale Hilti kjerne bor, og tilbehør!

-FORSIKTIG-	
 	<ul style="list-style-type: none"> ■ Kjerne boret kan bli varmt under bor-ing. ■ Den kan brannsåre i hånden . ■ Kutte kantene (segmentene) kan føre til skade. ■ Ha på deg sikkerhets hansker når du skifter kjerne boret.

1. Åpne chucken ved å dreie motsatt vei av klokken
2. Sett diamant kjerne boret inn i chucken.
3. Press diamant kjerne boret inntil chucken og roter kjerne boret inntil den løsner.
4. Lukk chucken ved å dreie den i klokken retning (se på fronten av chucken).
5. Sjekk at kjerne boren er sikkert satt i ved å gripe den og prøve å dra den bort fra chucken.

6.3 Valg av bor hastighet (posisjon 1-2-3)

-FORSIKTIG-

Ikke bruk gir velgeren når verktøyet går. Vent til rota-sjonen har stoppet.

Hånd- holdt bruk:

	Ø		
	mm	Inch	
	40 - 62	1 5/8" - 2 1/2"	II III 278663
	12 - 37	1/2" - 1 1/2"	
	122 - 162	4 3/4" - 6 1/2"	I II III
	67 - 112	2 5/8" - 4 1/4"	
	12 - 62	1/2" - 2 1/2"	

Borre stativ bruk:

	Ø		
	mm	Inch	
	57 - 152	2 1/4" - 6"	I II III 278755
	28 - 52	1 1/8" - 2"	
	12 - 25	1/2" - 1"	

1. Velg gir etter tabellen på verktøyet.

2. Flytt gir velgeren til ønsket innstilling, mens du roterer kjerne biten.

6.4 Tørr boring

6.4.1 Feste uttreknings systemet

1. Skru av dekselet fra vann svivelen/ uttreknings hodet.
2. Sett i uttreknings slangen i uttreknings festet.
3. Slå av vann ventilen i side håndtaket.

6.5 Hånd holdt våt boring

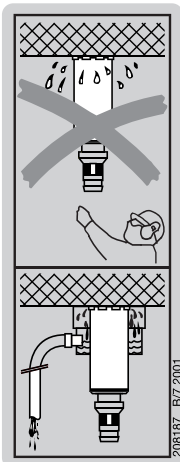
6.5.1.1. Sett vannet i vann uttaket

1. Skru av vannventilen i side håndtaket.
2. Lukk dekselet på støv uttreknings festet.
3. Feste vann forsynings slangen (Slange festet).

6.6 Hånd holdt våt boring med vann oppsamlings-system

6.6.1 Tilpasse vann oppsamlings systemet

Bruk av vann oppsamlings systemet fører vanne bort fra kjerne boret, og unnviker da å skittne til systemet. Best resultat oppnås når det brukes sammen med en våt-type støvsuger.



Bruk av våt-type støvsuger er obligatorisk når du foretar våt boring over hodet. Posisjoner side håndtaket og vann svindelen/ uttreknings hodet så vann oppsamlings systemet kan bli tilpasset uten problemer. Senter ringen må tilpasses størrelsen på kjerne boret som brukes.

1. Under verktøyet, plasser vann oppsamlings systemet opp på de to monterings pinnene.
2. Sving vann oppsamlings systemet rundt fronten
3. Sikre vann oppsamlings systemet ved å vri på chuck-en
4. Fest våt-type støvsugeren til fronten av vann oppsamlings systemet. Alternativt, kan vannet få lov til å renne vekk ved å feste en slange til koblingen (Ikke et alternativ ved boring over hodet)

6.6.2 Justere dybde måleren

1. Sett dybde måleren i ønsket dybde.
2. Bruk klem skruen til å sikre dybde måleren.

6.7 Bruk borre stativet

6.7.1 Feste borestativet med en plugg

-ADVARSEL-

Bruk en plugg som egner seg for underlaget, og følg pluggproduzentens monteringsanvisninger.

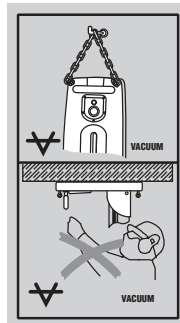
-INFORMASJON-

Hilti slaganker, M12, egner seg generelt for feste av diamantkjernebor-utstyret i sprekkefri betong. Imidlertid kan det under bestemte forhold være nødvendig med alternative festemidler. Ved spørsmål i forbindelse med sikkert feste skal du henvende deg til Motek Service.

1. Bruk en plugg som er egnet for underlaget og plasser den 200 mm (ideelt) fra hullsenter.
2. Skru hurtigklemmespindelen inn i pluggen.
3. Sett borestativet over hurtigklemmespindelen og rett den inn ved hjelp av hullsenterindikatoren.
4. Skru mutteren på hurtigklemmespindelen uten å trekke til.
5. Niveller platen ved hjelp av nivelleringssskruene. Kontroller at nivelleringssskruene ligger godt an mot underlaget. Grunnplattens vatringslibelle brukes som innstillingshjelp.
6. Lås nivelleringssskruene med kontramutterne.
7. Trekk til mutterne med fastnøkkelen.
8. Forsikre deg om at borestativet er festet på en sikker måte.

6.7.2 Sikre borre stativet med en vakuum pute

En vakuum lufte ventil finnes i grunn plattens grep.



Over hodet boring med et stativ kun festet med vakuum er ikke tillatt.

1. Skru opp de fire nivellerings skruene inntil de er ca 5 mm fra grunn platen.
2. fest slangen mellom vakuum festet på grunn platen og vakuum pumpen.
3. Skru på vakuum pumpen og utvid hull senter indikatorenen. Mens du presser på vakuum utslippet og observerer hullets senter indikator, ta grunn platen i ønsket

et posisjon. Når denne er posisjonert riktig, press grunn platen mot arbeids flaten, og ta bort fingern fra vakuump utslipps ventil. Før du begynner å borre og imens du borrer, må du forsikre deg om at press måleren holder seg innenfor det grønne nivået.

4. De fire nivellerings skruene skal bli brukt til å nivellere grunn platen. Nivelleringsen å grunn platen fungerer som en hjelp til heving.
5. Stram lukke mutterne for å forsikre deg om at ikke nivellerings skruene beveger seg mer.
6. Ekstra sikkerhet bør bli brukt hvis du borrer loddrett (for eksempel et kjede, festet til et anker).
7. Forsikre deg om at borestativet er festet på en sikker måte.

6.7.3 Sikre borre stativet med hurtig stimpling (for eksempel mellom gulv og tak)

1. Utvid hull senter indikatoren og bruk den mot senteren av hullet som skal kjerne bores.
2. Posisjoner enden av stimplings bjelken forsiktig i den indre ovale grunn platen (ikke nivå indikator eller press måleren).
3. Sikre grunn platen ved å gi et svakt press med stimplings bjelken.
4. De fire nivellerings skruene bør da bli brukt til å heve grunn platen. Nivået på grunn platen fungerer som nivellerings hjelp.
5. Stram lukke mutterne for å hindre mer bevegelse av nivellerings skruene.
6. Stram hurtig stimplings bjelken til sikkerhet.
7. Forsikre deg om at borestativet er festet på en sikker måte.

6.8 Vann oppsamlings system ved bruk av borre stativ

Bruk av vann oppsamling system forutsetter vannet til å være drenert bort fra kjerne boret, noe som gjør at områder rundt ikke blir møkkete. Beste resultater er oppnådd sammen med en våt- type støvsuger. Bruk av vann oppsamling system sammen med en våt type støvsuger er obligatorisk for boring over hodet. Borre stativet må være satt opp i 90 grader i forhold til bakken. Vann oppsamler systemet må være i størrelse med kjerne boret diamanten.

1. Slakk justerings skruen inntil justerings tappen er løsnet.
2. Hev rammen.
3. Tilpass vann oppsamlings holderen.
4. Ta rammen tilbake til loddrett posisjon.
5. Lukk justerings skruene inntil justerings tappen sitter på plass og rammen igjen er sikret.
6. Løft holderen og press vann oppsamlings koppen under holderen, så langt som den går.
7. Fest en våt- type støvsuger til vann oppsamlings koppen eller fest en passende slange som vannet kan renne gjennom, og føres bort.

6.9 Montere verktøyet til borre stativet

-FORSIKTIG-

Skruen på borre stativet må være i åpen posisjon og sleden må være på toppen av chucken. Borre mekanismen må være lukket.

1. Tilpass verktøyets plate på de to monterings pinnene på borre stativet. **(6.9.1)**
2. Sving redskapet raskt mot "drill stand". Det skal da bli koblet inn. **(6.9.2)**
3. Sjekk posisjonen av "the release lever" for å sjekke at redskapet er koblet inn og festet sikkert til "the drill stand". **(6.9.3)**
4. Før inn lukke knappen. Denne brukes til å holde maskinen i på- posisjon under konstant operasjon.
5. Lukk vann ventilen på side håndtaket.
6. Fest til vann tilførselen.

6.10 Tilpass hånd hjulet

1. Tilpass hånd hjulet på akslen.
2. Sikre håndhjulet ved å stramme på håndtaket. Hånd hjulet må bli tilpasset på begge sider av borre stativet.

6.11 Justere på borre stativets vinkel

(Økninger på 7,5 grader, justerbar til maksimum 45 grader).

1. Slakk søylens justerings spaken inntil lokaliseringstappen har løsnet.
2. Sett søylen i ønsket posisjon.
3. Fest lokaliseringstappen.
4. Flytt justerings spaken inntil lokaliseringstappen er festet helt og rammen er igjen sikret.
5. Press og dreii justerings stangen, for å returnere dem til en vertikal posisjon.

6.12 Flytt verktøyet fra borre stativet

-FORSIKTIG-

Verktøyet må være frakoblet fra hoved strømmen. Den avanserte borre mekanismen må være lukket (kjede løsnet).

1. Lukk vann ventilen på side håndtaket.
2. Koble fra vann forsyningen.
3. Fjern lukke knappen fra grepet.
4. Hold verktøyet med en hånd på grepet, og slipp spaken på borre stativet.
5. Drei verktøyet vekk fra borre stativet.

7. Operasjon

7.1 Koble verktøyet til den elektriske hoved strømmen


Oppgitt spenningen på maskinen må stemme overens med spenningen på hovedstrømmen.

1. Sjekk at verktøyet er skrudd av, eller ta bort lukke knappen.
2. Sett støpselet i kontakten.
3. Press På knappen på PRCD (jordfeilbryteren) (lampen må lyse).
4. Press "TEST" knappen på PRCD (jordfeilbryteren (lampen må ikke lyse).

-FARE-

Dersom displayet ikke slukker, må du slutte å bruke maskinen. Maskinen må repareres av kvalifisert fagpersonale og med originale reservedeler.

5. Press PÅ-knappen på jordfeilbryteren (lampen må lyse).

-FORSIKTIG-	
	<ul style="list-style-type: none">■ Verktøyet og borre operasjonen skaper støy.■ Konstant høy støy kan ødelegge hørselen.■ Ha på hørselsvern.

-FORSIKTIG-	
 	<ul style="list-style-type: none">■ Borre operasjonen kan føre til at farlige deler kan fly rundt.■ Flyvende deler kan være skadelige for øyne eller andre deler av kroppen.■ Ha på vernebriller og sikkerhets hjelm.

7.2 Tørr boring

7.2.1 Montering av senterbor

Forskjellig senterbor til forskjellig bor diametere.

1. Monter senterboret på fronten av diamant boret.

7.2.2 Støvsuge for elektrisk verktøy

Støvsugeren starter automatisk ved start av det elektriske verktøyet. Skru av det elektriske verktøyet, noe som også gjør at støvsugeren blir automatisk skrudd av.

Skru på

1. Press av/på knappen på verktøyet.
2. Med hull starter hjelpen tilpasset, begynn å borre og hold på til inntil en kløft er laget i borre materialet.
3. Skru av verktøyet.
4. Fjern senterboret, og fortsett boringen.

Skru av

1. Skru av verktøyet.
2. Ta bort kjernen hvis nødvendig.

7.2.3 Støv suger uten stikkontakt for elektrisk verktøy

Skru på

1. Skru på støvsugeren
2. Press av /på knappen på verktøyet

Skru av

1. Skru av verktøyet
2. La støvsugeren gå en kort stund etter at verktøyet er skrudd av, for å fjerne støv som er igjen.

7.3 Hånd holdt våt boring

Skru på

1. Åpne vanntilførselen på side håndtaket, inntil ønsket vann mengde kommer.
2. Press av/på knappen.
3. Når du starter på et hull, hold verktøyet i en svak vinkel i forhold til arbeidsoverflaten. Dette gjør det enklere i starten.
4. Med en gang hullet er startet på, før verktøyet i 90 grader, og fortsett boringen.

Skru av

1. Skru av verktøyet
2. Steng vanntilførselen på sidehåndtaket

7.4 Hånd holdt våt boring ved bruk av vannopsamler

Krysset på front enden av vannopsamler systemet fungerer som en pålitelig posisjons hjelp.

Skru på

1. Monter vannsysteme.
2. Åpne vanntilførselen på side håndtaket sakte, inntil ønsket vann mengde renner.
3. Press på/ av knappen.
4. Hold verktøyet i en liten vinkel i forhold til overflaten når du starter på hullet. Dette gjør oppstarten lettere.
5. Etter du har startet på hullet, før verktøyet i 90 graders posisjon og fortsett boringen.

Skru av

1. Skru av verktøyet.

-ADVARSEL-

Når du borrer, må du ikke la noen rester av vannet fra kjernen renne ned i verktøyet.

2. Steng vanntilførselen på side håndtaket.
3. Skru av støvsugeren (hvis den er i bruk).
4. Fjern kjernen hvis nødvendig.

7.5 Våt boring ved bruk av borre stativ

Skru på

1. Skru på støvsugeren.
2. Åpne vanntilførselen på sidehåndtaket sakte inntil ønsket mengde av vann kommer. Indikatoren på sidehåndtaket brukes til å finne ønsket vann mengde.
3. Bruk låse knappen for å kjøre verktøyet i konstant operasjons innstilling.
4. Boret får kontakt med arbeidsflaten ved å dreie hånd hjulet.
5. Press forsiktig på boret i starten, og øk presset når boret har gått inn i materialet.

6. Hold et øye på overbelastnings indikatoren mens du borer. Presset må reduseres hvis indikator lampen lyser rødt.
7. Hold øye med overbelastningsindikatoren ved boring. Belastningen på boret må reduseres dersom indikatoren lyser.

Skru av

1. Steng vanntilførselen på side håndtaket.
2. Trekk boret ut av hullet.
3. Skru av verktøyet.
4. Skru av støvsugeren.
5. Fjern kjernen hvis nødvendig.
6. Skru av verktøyet.

-ADVARSEL-

Når du borer over hode, må du ikke la vannet fra hullet renne ned i verktøyet.

7. Sørg for stabiliteten på borre stativet ved å senke verktøyet og kjerneboret til grunn platen.

7.6 Arbeidstrinn ved fastklemming av borkronen

Ved ev. fastklemming av borkronen løser slurekoblingen ut, inntil brukeren slår av maskinen. Borkronen kan løsnes ved hjelp av følgende handlinger:

Løsning av borkronen med fastnøkkel

1. Trekk støpselet ut av stikkkontakten.
2. Sett en egnet fastnøkkel på borkronen nær innstikkenden og løsne borkronen ved å dreie på den.
3. Sett maskinens støpsel inn i stikkkontakten.
4. Fortsett borearbeidet.

Løsning av borkronen med dreiekruss (kun ved stativdrift)

1. Trekk støpselet ut av stikkkontakten.
2. Løsne borkronen fra underlaget med dreiekruset.
3. Sett maskinens støpsel inn i stikkkontakten.
4. Fortsett borearbeidet.

7.7 Transport og lagring:

-INFORMASJON-

- Transporter helst maskinen i Hilti-kofferten.
- Før lagring må du åpne maskinens vannkran. Pass alltid på at det ikke er vann i maskinen ved temperaturer under frysepunktet.

8. Pleie og vedlikehold

Koble støpselet fra uttaket.

8.1 Pleie av kjerneboret

Fjern all skitt fra kjerneboret og beskytt overflaten fra fortøring ved å smøre den inn med olje fra en klut med jevne mellomrom. Hold alltid kontakt enden ren, med litt fett på.

8.2 Pleie av verktøyet

Sjekk at støpselet er koblet fra.

-FORSIKTIG-

Hold maskinen ren og fri for olje og fett, særlig maskinens gripeflater. Ikke bruk rengjøringsmidler som inneholder silikon.

Ytterhuset på maskinen er laget av støtsikker plast. Grepsdelen er laget av syntetisk gummi.

Ikke bruk maskinen når ventilasjonsåpningene er tette! Bruk en tørr børste for å rengjøre dem forsiktig. Forhindre at fremmedlegemer trenger inn i maskinen. Bruk en lett fuktig klut og rengjør utsiden av maskinen jevnlig. Ikke bruk spray, damprensere eller rennende vann til rengjøring! Dette kan gå utover den elektriske sikkerheten til maskinen.

Vask chucken og klemme segmenter med en klut med jevne mellomrom og sett inn disse delene med Hilti spray. Ta bort all skitt fra chucken.

Ta bort filteret i vann inntaket på side håndtaket, og rens dette fra tid til annen under rennende vann.

La vannet renne motsatt vei av bruk. Hvis vann tilførselsindikatoren har blitt skitten, ta den av, og vask delene. Ikke bruk slipe midler eller skarpe gjenstander til å vaske glasset. Dette kan redusere funksjonaliteten på vann indikatoren.

8.3 Vedlikehold av verktøyet

Sjekk alle eksterne deler av verktøyet for skade med jevne mellomrom, og sjekk at alle operasjonskontrollene fungerer feilfritt. Ikke bruk verktøyet når deler er ødelagte, eller operasjonskontrollene ikke fungerer feilfritt. Verktøyet må bli reparert på et Motek service senter. Reparasjoner på elektronisk utstyr må kun bli utført av trenet personell.

8.4 Pleie av bor stativet

8.4.1 Vedlikehold av kjedet

Sjekk kjedet anvisningen for å forsikre deg om at de holder seg frie for borre slam. Kjedet må alltid bli beskyttet av et tynn lag med fett.

8.5 Vedlikehold av bor stativet

8.5.1 Justre bevegelse

Bevegelse skal være lett, men ikke med slingring. Justeringer kan bli gjort med skruer (2 på toppen og to i bunn).

8.5.1.1 Hardere bevegelse

1. Løsne skruene i bunn.
2. Stram de øvre skruene så mye som mulig.
3. Stram skruene i bunn så mye som mulig.

8.5.1.2 Lette bevegelse

1. Løsne de øvre skruene.
2. Stram de skruene i bunn så mye som mulig.

8.5.2 Justere stram heten på kjedet

Når den er i slutt posisjon, bør kjedet helle litt nedover når den går loddrett. Kjeden strammes ved hjelp av to skruer.

- Vri i klokken retning øker kjede spenningen.
- Motsatt av klokken reduserer spenningen.

Begge kjeder må ha samme spenning.

9. Problembeskrivelse

Feil	Mulig årsak	Mulig løsning
Verktøyet starter ikke	Feil i hoved strømmen	Plugg inn i en annen kontakt, og se om det virker
	Støpsel ødelagt	Støpselet må bli skiftet ut av en elektronisk spesialist
	Feil på knapp	Knappen bør bli sjekket, og re byttet av en elektronisk spesialist hvis nødvendig
Motoren går, men boret går ikke rundt	Gir defekt	Verktøyet må bli reparert på et Motek service senter
Bor effekten minker	Vann press/tilførsel for høy	Regulere vann tilførselen på sidehåndtaket
	Kjerne bit ødelagt	Sjekk kjerne biten for ødeleggelser, og re plasser hvis nødvendig
	Gir ødelagt	Verktøyet må bli reparert på et Motek service senter
	Kjernebor segment polert	Diamantene må skjerpes på en slipe plate, under rennende vann.
Motoren stopper	Verktøyet stopper å gå	Sett verktøyet rett
	Verktøyet er over opphetet. Motorvern bryter er blitt aktivert	Minsk presset, og la verktøyet gå på full fart ved å presse på knappen flere ganger
	Elektronikk ødelagt	Verktøyet bør bli reparert på et Motek service senter
	Kjøle vifte ødelagt	Verktøyet bør bli reparert på et Motek service senter
Vannet flyter ikke	Filter eller vann indikator blokkert	Ta bort filteret eller vann tilførsels indikatoren, og rens dem
Vannet renner ut ved gir huset	Aksel pakning/vann svivel/uttreknings hode ødelagt	Verktøyet bør bli reparert på et Motek service senter
Kjerneboret kan ikke bli satt inn i chucken	Feste enden eller chucken skittent eller ødelagt	Rens feste enden og chucken
Vann renner fra chucken	Feste enden eller chucken skittent	Vask feste enden og chucken
	Chuck beskyttelsen ødelagt	Sjekk beskyttelsen, og skift den hvis nødvendig
Overdreven slingring i bore systemet	Overdreven slingring i veilederen	Juster veilederne på nytt
	Kjedet for lite stramt	Spenn kjedet
	Drei mekanismen løs	Stram dreie mekanismens justerings klemme

10. Kunnngjørelse av gjenbruk



De fleste av Hilti-verktøyene er laget av resirkulerbare materialer. En forutsetning for resirkulering er at delene tas fra hverandre. Norge har en ordning for å ta apparatet tilbake for resirkulering. Trenger du mer informasjon, kontakt Motek.

Fjerning av boreslam

Fra et miljøsynspunkt er det problematisk å føre boreslam i vannveiene eller i avløpssystem uten egnet forbehandling. Ta kontakt med lokale myndigheter om gjeldende forskrifter.

Vi anbefaler følgende behandling:

Samle opp boreslammet (for eksempel med våtsuger) La boreslammet skilles ut som bunnfall og avhend den faste delen på et avfallsdeponi. (flokkuleringsmiddel kan påskynde utskillingsprosessen) Før det gjenværende vannet (basisk, pH-verdi > 7) ledes inn i avløpssystemet, nå det nøytraliseres ved å blande inn surt nøytraliseringsmiddel eller ved å fortynne med rikelig med vann.



Kun for EU-land

Kast aldri elektroverktøy i husholdningsavfallet!

I henhold til EU-direktiv om kasserte elektriske og elektroniske produkter og direktivets iverksetting i nasjonal rett, må elektroverktøy som ikke lenger skal brukes, samles separat og returneres til et miljøvennlig gjenvinningsanlegg.

11. Produsentens garanti for maskiner

Motek garanterer levering av en maskin som er fri for materiale- eller fabrikkasjonsfeil i et år fra fakturadato. Garantien gjelder under forutsetning av at maskinen er korrekt benyttet og vedlikeholdt i henhold til bruksanvisningen og at den kun brukes originalt Hilti forbruksmateriale, tilbehør og deler sammen med maskinen.

Denne garantien omfatter gratis reparasjon eller utskifting av defekte deler i hele maskinens levetid. Defekter som skyldes naturlig slitasje på maskinen faller ikke inn under garantibestemmelsene.

Så fremt ikke nasjonale forskrifter tilsier noe annet, er ytterligere krav utelukket. Motek garanterer ikke under noen omstendighet for direkte, indirekte skader, følgeskader, tap eller kostnader i forbindelse med bruken av maskinen eller uriktig bruk av maskinen, uavhengig av årsak. Indirekte løfter om maskinens

bruksmuligheter ligger ettertrykkelig utenfor garantiens bestemmelser.

Reparasjoner eller endringer skal kun utføres av Moteks servicesentra.

Dette er Moteks garantiforpliktelse. Denne er overordnet tidligere og samtidige forpliktelser, det være seg skriftlige eller muntlige.

12. EC kunnngjøring av overensstemmelse (original)

Modell:	Diamant borre maskin
Type:	DD 130
Konstruksjons år:	2001

Dette produkt er i samsvar med følgende standard eller standardiserte dokumenter: 2006/42/EF, 2004/108/EF, EN 61029-1, 2011/65/EU, EN ISO 12100.

Hilti Corporation, Feldkircherstrasse 100, FL-9494 Schaan

Paolo Luccini
Head of BA Quality & Process Management
BA Electric Tools & Accessories
11/2009

Johannes W. Huber
Senior Vice President
BU Diamond
11/2009

Teknisk dokumentasjon hos:
Hilti Entwicklungsgesellschaft mbH
Zulassung Elektrowerkzeuge
Hiltistrasse 6
86916 Kaufering
Deutschland

DD 130 diamantborrmaskin

Läs noga igenom bruksanvisningen innan maskinen används första gången.

Förvara bruksanvisningen tillsammans med maskinen.

Se till att bruksanvisningen medföljer maskinen, då den lämnas vidare till annan användare.

Detaljförteckning DD 130

Diamantborrmaskin

- ① Vattenlekare / sughuvud
- ② Indikator, vattenflöde
- ③ Nivåindikator
- ④ Skruvmejsel (sidohandtag)
- ⑤ Sidohandtag
- ⑥ Reglage, vattenflöde
- ⑦ Vattenanslutning
- ⑧ Varvtalsväljare
- ⑨ Växelhus
- ⑩ Motor
- ⑪ Strömbrytare
- ⑫ Grepp
- ⑬ Indikator, överbelastning
- ⑭ Kabel med jordfelsbrytare (PRCD)
- ⑮ Typskylt
- ⑯ Snabbkoppling
- ⑰ Skruvar (vattenlekare/sughuvud)
- ⑱ Lock (vattenlekare/sughuvud)
- ⑲ Anslutning, vattenutsug
- ⑳ Lås, vattenlekare
- ㉑ Låsring (vattenlekare/sughuvud)
- ㉒ Chuck

Borrstativ

- ㉓ Handtag
- ㉔ Kedja
- ㉕ Pelare
- ㉖ Insexnyckel
- ㉗ Matarvagn
- ㉘ Utlösningsarm
- ㉙ Specifikationsskylt
- ㉚ Utlösningsventil, vakuum

- ㉛ Vakuumanslutning
- ㉜ Vakuumtätning
- ㉝ Bottenplatta
- ㉞ Kedjestopp
- ㉟ Handvred
- ㊱ Strömbrytarlås
- ㊲ Vakuummeter
- ㊳ Libell
- ㊴ Justerspåk
- ㊵ Nivelleringssskruvar
- ㊶ Indikator för hålcentrum
- ㊷ Styrklackar
- ㊸ Djupmått
- ㊹ Låsmekanism
- ㊺ Montagebultar (snabbkoppling)
- ㊻ Kedjespännare

Vattensamlare för handhållet bruk

- ㊼ Låsknapp
- ㊽ Låsskruv
- ㊾ Djupmått
- ㊿ Vattenuppsamlare
- ① Centreringsring
- ② Adapter, centreringsring
- ③ Tätning
- ④ Monteringsplatta

Vattensamlare för bruk med borrstativ

- ⑤ Hållare
- ⑥ Vattenuppsamlare
- ⑦ Tätning

Innehåll	Sida
1. Allmän information	58
2. Beskrivning	58
3. Verktyg och tillbehör	59
4. Tekniska data	60
5. Säkerhetsföreskrifter	61
6. Före start	63
7. Användning	66
8. Skötsel och underhåll	68
9. Problemlösning	69
10. Avfallshantering	70
11. Tillverkarens produktgaranti	70
12. Försäkran om EU-överensstämmelse (original)	70

1. Allmän information

1.1 Riskindikationer

-FARA-

Anger överhängande risker som kan leda till svåra personskador eller dödsolycka.

-VARNING-

Anger en potentiell risksituation som skulle kunna leda till allvarlig personskada eller dödsolycka.

-FÖRSIKTIGHET-

Anger situationer som kan vara farliga och leda till skador på person eller utrustning.

-OBSERVERA-

Används för viktiga anmärkningar och annan praktisk information.

1.2 Illustrationer

Varningsskyltar



Allmän varning



Varning: el



Varning: het yta

Skyltar, personlig skyddsutrustning



Använd skyddsglasögon



Använd skyddshjälm



Använd hörselskydd



Använd skyddshandskar



Använd skyddsskor

Symboler



Läs igenom bruksanvisningen före användning



Återvinningsmaterial

A

Ampere

V

Volt

W

watt

Hz

hertz

/min

Varv per minut

rpm

Varv per minut

~

Växelström

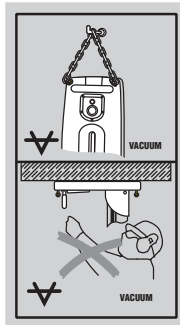
n₀

Nominellt varvtal, obelastat

∅

Diameter

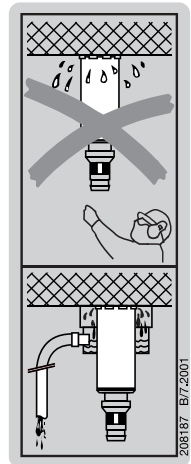
På borrstativet



Upp till
Extra säkerhetsåtgärd måste vidtas då stativet används för horisontell borrar med vakuumbåtning.

I botten
Borrstativet måste förankras med expander eller snabbstämp vid borrar som sker "över huvudet".

På maskinen



Vid arbete som sker "över huvudet" i tak måste vattensamlare tillsammans med våtdammsugare användas.

1 Dessa siffror hänvisar till illustrationerna på omslagsidorna. Låt dessa sidor vara utvikta, när du går igenom bruksanvisningen.

I bruksanvisningen benämns DD 130 diamantborrmaskin "maskinen".

Placering av identifikationsdata på maskinen

Typbeteckning och serienummer finns angivna på maskinens typskylt. Anteckna dessa data i bruksanvisningen och hänvisa alltid till dessa vid ev. kontakt med din Hilti-säljare eller -serviceverkstad.

Typ:

DD 130

Serienr.:

2. Beskrivning

DD 130 är en elektrisk diamantborrmaskin avsedd för handhållet bruk eller monterad på borrstativ. Den lämpar sig för såväl våt- som torr diamantborrar.

5.2 Avsedd användning

DD 130 är konstruerad för borrar av genomgående hål och bottenhål i mineralhaltiga material.

Applikationer:

Med/utan borrstativ	Diamantborrdiameter		Borr-riktning
Handhållen / torr	Med dammsugare,	12–162 mm Ø	Alla riktningar
Handhållen / våt	Utan vattensamlare,	12– 62 mm Ø	Ej uppåt
Handhållen / våt	Med vattensamlare,	12– 62 mm Ø	Alla riktningar
Borrstativ / våt	Utan vattensamlare,	12–152 mm Ø	Ej uppåt
Borrstativ / våt	Med vattensamlare,	12–132 mm Ø	Alla riktningar

Vid borring i uppåtgående riktning måste en våtdammsugare anslutas till vattensamlaren.

- Horisontell borring med vakuumpatta tillåts bara om borrstativet säkrats med extra hjälpmedel. Borrstativet får användas för borring "över huvudet" endast om det förankrats med expander eller snabbstämp.
- Borring i material som innehåller asbest får inte ske.
- Ändringar eller modifieringar av maskinen är inte tillåtna.
- För att undvika skaderisk, använd bara original Hilti tillbehör och extra utrustning.
- Följ den information som finns i bruksanvisningen avseende användning, skötsel och underhåll.
- Maskinen är avsedd för professionellt bruk.
- Maskinen får endast användas, servas och repareras av auktoriserad, inskolad personal. Denna personal måste informeras om eventuella risker de kan utsättas för.
- Maskinen och dess tillbehör kan utgöra farorisk, om den används på felaktigt sätt av otränad personal eller inte enligt anvisning.
- **Verktyget får endast användas i tillräckligt dimensionerade elnät med skyddsledare.**

Medlevererade artiklar

- Verktyg
- Sidohandtag
- Hilti-verktygslåda eller kartong
- Bruksanvisnin
- Putsduk
- Spännnyckel SW 19
- Hilti-fett
- Skyddsglasögon

3. Tillbehör

Beteckning	Art.nr
Vakuumpump	00047034
Snabbstämp	00009870
Vattensamlare för handhållet bruk	00370462
Vattensamlare för borrstativ-bruk	00370460
Borrstativ	00370461
Hjul, komplett	00232228
DD-CS M12S-SM spännspindel	00251830
DD-CN SML spännmutter	00251834

4. Tekniska data

Spänning:*	110 V	120 V	220 V	230 V	240 V
Upptagen effekt:	1700 W	1800 W	1900 W	1900 W	1900 W
Strömstyrka: *	16 A	15 A	9,1 A	8,7 A	8,3 A
Frekvens:	50/60 Hz	50/60 Hz	50/60 Hz	50/60 Hz	50/60 Hz
Tomgångsvarvtal 1:a växeln	780 /min				
2:a växeln	1400 /min				
3:e växeln	2600 /min				
	(Byt växel först när rotationen har stannat.)				
Max. tillåtet vattentryck:	6 bar (Om vattentrycket är högre, måste en tryckreduceringsventil monteras på arbetsplatsens anslutning.)				
Dimension (LxBxH):	515x114x170 mm				
Vikt enligt EPTA-förordning 01/2003:	7,3 kg				
Borrstativets vikt:	13,1 kg				
Radio- och TV-avstörning:	enligt EN 55014-1				
Störningsimmunitet:	enligt EN 55014-2				
Skyddsklass enligt EN 60745 och IEC 60745:	Skyddsklass I (jordad)				
Borrdjup:	max. 430 mm (730 mm med förlängare)				

-OBSERVERA-

Den vibrationsnivå som anges i anvisningarna motsvarar den som uppmätts i EN 60745 för normerande mätningar och kan användas för jämförelse mellan elverktyg. Den är också avsedd för en preliminär uppskattning av vibrationsbelastningen. Den angivna vibrationsnivån gäller elverktygets huvudsakliga användningsområden. Men om elverktyget brukas på andra användningsområden, tillsammans med ej tillhörande insatsverktyg eller utan tillräckligt underhåll, kan vibrationsnivån bli en annan. Detta kan höja vibrationsbelastningen under hela arbetsperioden betydligt. Också de tider då verktyget är fränkopplat eller är igång men inte används måste beaktas vid en noggrann uppskattning av vibrationsbelastningen. Detta kan sänka vibrationsbelastningen under hela arbetsperioden betydligt. Fastställ extra säkerhetsåtgärder till skydd för operatören före påverkan av vibrationerna, till exempel: Underhåll av elverktyg och insatsverktyg, möjlighet att hålla händerna varma, arbetsförloppets organisation.

Buller- och vibrationsinformation (uppmätt enligt EN 60745):

Karakteristiskt A-vägd ljudeffektnivå (L_{WA}):	100 dB (A)
Karakteristiskt A-vägd ljudtrycksnivå (L_{pA}):	89 dB (A)

Felmarginalen är 3 dB för angiven ljudnivå enligt EN 60745.

Använd hörselskydd!

Triaxiala vibrationsdata (uppmätta enligt 60745-2-1 i handtagen och enligt EN 61029 vid vridkorset)

Triaxiala vibrationsvärden (vibrationsvektorsumma) EN 60745-2-1 (handhållet)

	Borrning i betong (med vatten)	Borrning i kalksand- sten (HDMU, torr)	Borrning i kalksand- sten (PCM, torr)
Vibration a_{hDD}	5 m/s ²	6 m/s ²	11 m/s ²
Osäkerhet K	1,5 m/s ²	1,5 m/s ²	2,5 m/s ²

Triaxiala vibrationsvärden (vibrationsvektorsumma) EN 61029, DD 130-Rig (stativ)

	Borrning i betong (med vatten)	Borrning i kalksand- sten (HDMU, torr)	Borrning i kalksand- sten (PCM, torr)
Vibration a_{hDD}	3,5 m/s ²	–	–
Osäkerhet K	1,5 m/s ²	–	–

Information för användaren i enlighet med EN 61000-3-11:

Start av maskinen kan orsaka ett kort spänningsfall. Vid ogynnsamma nätförhållanden kan detta leda till störningar för annan utrustning. Någon störning skall inte behöva ske, om nätslutningen har en impedans om < 0.15 ohm.

* Maskinen finns i olika versioner avseende spänning. Se maskinens typskylt för information om spänning och strömstyrka.

Vi förbehåller oss rätten till tekniska ändringar

5. Säkerhetsföreskrifter

5.1 Allmänna säkerhetsanvisningar

--**WARNING**-- Samtliga anvisningar ska läsas. Fel som uppstår till följd av att anvisningarna nedan inte följts kan orsaka elstötar, brand och/eller allvarliga kroppsskador. Nedan använt begrepp "Elverktyg" hänför sig till nätdrivna elverktyg (med nätsladd) och till batteri-drivna elverktyg (sladdlösa).

TA VÄL VARA PÅ SÄKERHETSANVISNINGARNA.

5.1.1 Arbetsplats

- Håll arbetsplatsen ren och städad. Oordning på arbetsplatsen och dåligt belyst arbetsområde kan leda till olyckor.
- Använd inte elverktyget i explosionsfarlig omgivning med brännbara vätskor, gaser eller damm. Elverktygen alstrar gnistor som kan antända dammet eller gaserna.
- Håll under arbetet med elverktyget barn och obehöriga personer på betryggande avstånd. Om du störs av obehöriga personer kan du förlora kontrollen över elverktyget.

5.1.2 Elektrisk säkerhet

- Elverktygets stickpropp måste passa till vägguttaget. Stickproppen får absolut inte förändras. Använd inte adapterkontakter tillsammans med skyddsjordade elverktyg. Oförändrade stickproppar och passande vägguttag reducerar risken för elstötar.
- Undvik kroppskontakt med jordade ytor som t.ex. rör, värmeelement, spisar och kylskåp. Det finns en större risk för elstötar om din kropp är jordad.
- Skydda elverktyget mot regn och väta. Tränger vatten in i ett elverktyg ökar risken för elstötar.
- Missbruka inte nätsladden och använd den inte för att bära eller hänga upp elverktyget och inte heller för att dra stickproppen ur vägguttaget. Håll nätsladden på avstånd från värme, olja, skarpa kanter och rörliga maskindelar. Skadade eller till-trasslade ledningar ökar risken för elstötar.
- När du arbetar med ett elverktyg utomhus, använd endast förlängningsladdar som är godkända för utomhusbruk. Om en lämplig förlängningsladd för utomhusbruk används minskar risken för elektriskt slag.

5.1.3 Personssäkerhet

- Var uppmärksam, kontrollera vad du gör och använd elverktyget med förnuft. Använd inte elverktyget när du är trött eller om du är påverkad av droger, alkohol eller mediciner. Under användning av elverktyg kan även en kort uppmärksamhet leda till allvarliga kroppsskador.
- Bär alltid personlig skyddsutrustning och skyddsglasögon. Den personliga skyddsutrustningen som t.ex. dammfiltermask, halkfria säkerhetsskor, hjälm eller hörselskydd – med beaktande av elverktygets

modell och driftsätt – reducerar risken för kroppsskada.

- Undvik oavsiktlig igångsättning. Kontrollera att strömställaren står i läget "FRÅN" innan du kopplar stickproppen till vägguttaget. Om du bär elverktyget med fingret på strömställaren eller ansluter påkopplat elverktyg till nätströmmen kan olycka uppstå.
- Ta bort alla inställningsverktyg och skruvnycklar innan du kopplar på elverktyget. Ett verktyg eller en nyckel i en roterande komponent kan medföra kroppsskada.
- Överskatta inte din förmåga. Se till att du står stadig och håller balansen. I detta fall kan du lättare kontrollera elverktyget i oväntade situationer.
- Bär lämpliga kläder. Bär inte löst hängande kläder eller smycken. Håll håret, kläderna och handskarna på avstånd från rörliga delar. Löst hängande kläder, smycken och långt hår kan dras in av roterande delar.
- Vid elverktyg med dammsugnings- och uppsamlingsutrustning, kontrollera att anordningarna är rätt monterade och används på korrekt sätt. Dessa anordningar reducerar riskerna i samband med damm.

5.1.4 Omsorgsfull hantering och användning av elverktyg

- Överbelasta inte elverktyget. Använd för aktuellt arbete avsett elverktyg. Med ett lämpligt elverktyg kan du arbeta bättre och säkrare inom angivet effektområde.
- Ett elverktyg med defekt strömställare får inte längre användas. Ett elverktyg som inte kan kopplas in eller ur är farligt och måste repareras.
- Dra stickproppen ur vägguttaget innan inställningar utförs, tillbehörskomponenter byts ut eller elverktyget lagras. Denna skyddsåtgärd förhindrar oavsiktlig inkoppling av elverktyget.
- Förvara elverktygen ötkomliga för barn. Låt elverktyget inte användas av personer som inte är förtrogna med dess användning eller inte läst denna anvisning. Elverktygen är farliga om de används av oerfarna personer.
- Sköt elverktyget omsorgsfullt. Kontrollera att rörliga komponenter fungerar felfritt och inte kärvar, att komponenter inte brustit eller skadats; orsaker som kan leda till att elverktygets funktioner påverkas menligt. Låt skadade delar repareras innan elverktyget återanvänds. Många olyckor orsakas av dåligt skötta elverktyg.
- Håll skärverktygen skarpa och rena. Omsorgsfullt skötta skärverktyg med skarpa egg kommer inte så lätt i kläm och går lättare att styra.
- Använd elverktyget, tillbehör, insatsverktyg osv. enligt dessa anvisningar och på sätt som föreskrivits för aktuell verktygmodell. Ta hänsyn till arbetsvillkoren och arbetsmomenten. Används

elverktyget på icke ändamålsenligt sätt kan farliga situationer uppstå.

5.1.5 Service

- a) Låt elverktyget repareras endast av kvalificerad fackpersonal och med originalreservdelar. Detta garanterar att elverktygets säkerhet upprätthålls.

5.2 Produktspecifika säkerhetsföreskrifter

5.2.1 Personsäkerhet

- a) Använd hörselskydd. Buller kan leda till hörselskador.
- b) Använd de extrahandtag som medföljer. Tappardu kontrollen över verktyget kan det leda till skador.
- c) Håll alltid maskinen med båda händerna vid drift alternativt montera den i borrhstativet. Se till att sidohandtaget är korrekt monterat och fastspänt. Håll alltid maskinen med båda händerna, när den är i drift.
- d) Om maskinen används utan dammsugare måste du använda ett andningsskydd när du arbetar med dammalstrande material.
- e) Se alltid till att kabel och förlängningskabel samt dammsugarslang hålls bakom maskinen vid arbete så att du inte snubblar.
- f) Undvik att snubbla över kabel, förlängningskabel eller dammsugarslang.
- g) Undvik hudkontakt med borrarlam.
- h) Se till att vattenlekaren/sughuvudet (sidohandtags-monterat) är ordentligt säkrat i rätt läge och att låsringen är spänd (se 6.1.3).
- i) Kontrollera att maskinen är säkert fastsatt vid monteringen på borrhstativ (se 6.9).
- j) Rör aldrig roterande delar.
- k) Elverktygets är inte avsedd att användas av barn, funktionshindrade eller utbildade personer.
- l) Barn bör tillsägas att inte leka med elverktygets.
- m) Damm från material som blyhaltig färg, vissa träslag, mineraler och metall kan vara hälsofarliga. Beröring eller inandning av dammet kan orsaka allergiska reaktioner och/eller sjukdomar i andningsvägarna hos användaren eller hos personer som befinner sig i närheten. Vissa slags damm, från till exempel ek eller bok, anses vara cancerframkallande, särskilt i kombination med tillsatsämnen för behandling av trä (kromat, träskyddsmedel). Asbesthaltigt material får bara bearbetas av särskilt utbildad personal. Använd om möjligt en dammsugare. För att dammsugningen ska bli effektiv är det bäst att använda en mobil dammsugare för trä och/eller mineraldamm, som rekommenderas av Hilti och som är anpassad för detta elverktyg. Se till att det finns bra ventilation på arbetsplatsen. Vi rekommenderar användning av andningskyddsmask med filterklass P2. Följ de gällande landsspecifika föreskrifterna för de material som ska bearbetas.

5.2.2 Omsorgsfull hantering och användning av elverktyg

- a) Se till att verktygen passar i maskinen och sitter fast ordentligt i chucken.
- b) Vid strömavbrott: Slå av maskinen och dra ur kontakten. Detta förhindrar oavsiktlig apparatstart efter strömavbrott.
- c) Följ instruktionerna vad gäller skötsel och underhåll samt byte av borrhkronor i god tid.
- d) Håll i verktygets isolerade ytor om det finns risk att dolda elkablar eller nätkabeln kan skadas av verktyget. Vid kontakt med strömförande ledningar spänningssätts verktygets oskyddade metall-delar och användaren riskerar att få en elektrisk stöt.

5.2.3 Elektrisk säkerhet

- a) Innan du börjar arbeta ska du med exempelvis en metall-detektor kontrollera om det finns dolda ledningar för gas, vatten, elektricitet och dylikt på arbetsplatsen. Apparats yttre metall-delar kan bli strömförande om de kommer i kontakt med strömförande ledningar. Risk för elektriska stötar och person- och materialskador föreligger.
- b) Kontrollera regelbundet maskinens anslutningskabel. Om kabeln är skadad måste den bytas ut av behörig fackman. Kontrollera förlängningskablarna regelbundet och byt ut dem om de är skadade. Om kabeln eller förlängningskabeln skadas under arbetet får du inte röra vid den. Dra ut stickkontakten ur uttaget. Skadade anslutnings- och förlängningskablar ökar risken för elektriska stötar.
- c) Låt därför Hilti-serviceverkstad kontrollera smutsiga maskiner med jämna mellanrum, framför allt om du ofta arbetar med ledande material. Fukt eller damm som fastnar på maskinens yta, framför allt damm av ledande material, kan under vissa förhållanden leda till elstötar.
- d) Använd aldrig maskinen utan medföljande PRCD-enhet (jordfelsbrytare). Kontrollera PRCD-enheten före varje användning.
- e) Se till att maskinen är avstängd (ta bort strömbrytarlåset) innan den startas vid PRCD (jordfelsbrytare). Testa PRCD varje gång före användning (se 7.1).

5.2.4 Arbetsplats

- a) Se till att arbetsplatsen är ordentligt upplyst.
- b) Sörj för god ventilation på arbetsplatsen. Arbetsplatser med undermålig ventilation kan öka risken för skador genom inandning av damm.

5.2.5 Personlig skyddsutrustning

Operatör och andra personer i närheten måste använda passande skyddsglasögon, skyddshjälp, hörselskydd, skyddshandskar och skyddsskor, när maskinen är i drift.



5.2.6 Skyddsutrustning

Använd inte maskinen utan tillämplig skyddsutrustning:

- Använd inte maskinen utan vattenlekare/sughuvud.
- Vid horisontell borrarng med vakuumpatta måste en extra åtgärd för säkring av borrstativet vidtas.
- Borrstativet måste förankras med expander eller snabbstämp vid borrarng "över huvudet".
- Vid våtborrarng "över huvudet" måste vattensamlare tillsammans med en våtdammsugare användas.

6. Före start

Det är av största vikt att du läser och iakttar säkerhetsföreskrifterna i denna bruksanvisning.

-FÖRSIKTIGHET-

Dra ut stickkontakten.



Om förlängningskabel används: Endast förlängningskabel godkänd för avsett bruk och med giltigt tvärsnitt får användas. Underlåtenhet att följa denna punkt kan resultera i reducerad kapacitet och kan leda till överhettning av kabeln. Skadad förlängningskabel måste bytas ut. Rekommenderat kabeltvärsnitt och max. längder är:

Nätspänning	Ledartvärsnitt		
	1,5 mm ²	2,0 mm ²	2,5 mm ² 3,5 mm ²
100 V		20 m	40 m
110 V	20 m		40 m
220–230 V	50 m		80 m

-FÖRSIKTIGHET-	
 	<ul style="list-style-type: none"> ■ Maskinen, diamanborrkronan och borrstativet är tunga. ■ Det finns risk att kroppsdelar kläms. ■ Använd skyddshjälm, skyddshandskar och skyddsskor.

6.1 Sidohandtag

6.1.1 Montering av sidohandtaget

1. Skruva på sidohandtaget på maskinen och spänn fast ordentligt.

6.1.2 Montering av sidohandtaget i olika lägen

1. Ta av skruven i det läge där sidohandtaget skall monteras (t ex för vänsterhandsfattning). Greppdelen på sidohandtaget kan skruvas av och användas som skruvmejsel.
2. Skruva på sidohandtaget på maskinen i önskat läge och spänn fast ordentligt.
3. Sätt i skruven i det gängade hålet.

6.1.3 Justering av sughuvud/vattenlekare (och sidohandtag)

1. Tryck på vattenlekarläset mellan låsring och vattenlekare/sughuvud.
2. Lossa låsringen mellan chuck och sidohandtag.
3. Flytta sidohandtaget till önskad position (stegvis 15°).
4. Spänn låsringen tills kuggen och vattenlekarläset greppar.

6.2 Isättning av diamanborrkrona

-FÖRSIKTIGHET-

Använd bara original Hilti borrkronor och tillbehör!

-FÖRSIKTIGHET-	
	<ul style="list-style-type: none">■ Borrkronan kan bli mycket varm vid användning eller i samband med skärning.■ Risk att brännskada händerna.■ Borrkanterna (segmenten) kan orsaka skada.■ Använd skyddshandskar vid byte av borrkrona.
	
	





1. Öppna chocken genom att vrida den motsols (framifrån sett).
2. Sätt i och tryck in diamanborrkronan i chocken.
3. Vrid borrkronan tills den greppar.
4. Stäng chocken genom att vrida medsols (framifrån sett).
5. Kontrollera att borrkronan sitter säkert fast genom att greppa den och försöka dra ut den ur chocken.

6.3 Val av borrhastighet (varvtalsväljare, läge 1-2-3)




-FÖRSIKTIGHET-

Byt inte varvtal medan maskinen är igång. Vänta tills rotationen har avstannat.

Handhållet bruk:

	Ø		
	mm	Inch	
	40 - 62	1 5/8" - 2 1/2"	II III 278663
	12 - 37	1/2" - 1 1/2"	
	122 - 162	4 3/4" - 6 1/2"	I II III
	67 - 112	2 5/8" - 4 1/4"	
	12 - 62	1/2" - 2 1/2"	

Borrstativdrift:

	Ø		
	mm	Inch	
	57 - 152	2 1/4" - 6"	I II III 278755
	28 - 52	1 1/8" - 2"	
	12 - 25	1/2" - 1"	

1. Välj varvtal enligt tabellen på maskinen.
2. Vrid varvtalsväljaren till önskad inställning medan du roterar borrkronan.

6.4 Torrborrning

6.4.1 Anslutning dammsugare

1. Skruva av locket på vattenlekaren/sughuvudet.
2. Anslut dammsugarslangen.
3. Stäng vattenventilen i sidohandtaget.

6.5 Handhållen våtborrning

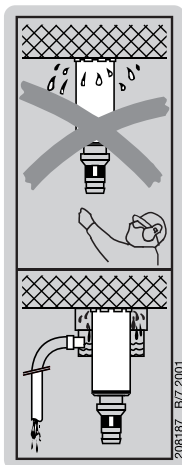
6.5.1 Anslutning vatten

1. Stäng vattenventilen i sidohandtaget.
2. Stäng locket på dammsugaranslutningen.
3. Anslut vattenslangen.

6.6 Handhållen våtborrning med vattensamlare

6.6.1 Montering av vattensamlare

Genom att använda vattensamlare kan vattnet avledas från borrkronan utan att området runt omkring blir nedsmutsat. Bästa resultat erhålls om en industridammsugare (våtsugning) används.



Vid borrning "över huvudet" är användning av vattensamlare tillsammans med industridammsugare (våtsugning) obligatorisk. Placera sidohandtaget och vattenlekaren/sughuvudet så att vattensamlaren obehindrat kan monteras. Centreringen och tätningen måste ha en storlek som passar för den borrkronediameter som används.

1. Placera vattensamlaren, nerifrån maskinen, på de två montagebultarna.
2. Sväng vattensamlaren mot fronten.
3. Lås vattensamlaren genom att vrida på knappen.
4. Anslut en industridammsugare (våtsugning) framtill på vattensamlaren. Alternativt kan vattnet få rinna av via en lång slang som kopplats till anslutningen (ej tillåtet vid borrning "över huvudet").

6.6.2 Inställning av djupmätt

1. Ställ in djupmättet på önskat djup.
2. Spänn fast djupmättet med låsskruven.

6.7 Borrstativ

6.7.1 Säkring av borrstativet med expander

-VARNING-

Använd endast en expander som är avsedd för det aktuella underlaget och observera expandertillverkarens monteringsanvisningar.

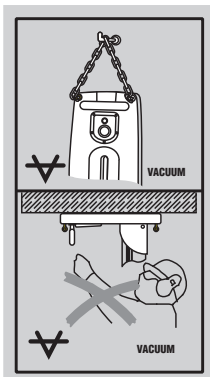
-OBSERVERA-

Hilti slagankare, M12, är vanligtvis avsett för infästningar av utrustning med diamantkärborrar i osprucken betong. Ändå kan det under vissa förutsättningar krävas en alternativ infästning. Kontakta Hiltis tekniska service om du har frågor om säker infästning.

1. Placera den för underlaget avsedda expandern 200 mm (idealavstånd) från borrcentrum.
2. Skruva in snabbstämpan i expandern.
3. Placera borrstativet ovanpå snabbstämpan och rikta in det med hjälp av hålcentrumindikatorn.
4. Skruva på muttern på snabbstämpan utan att dra åt den.
5. Justera bottenplattan med hjälp av de fyra nivelleringskruvarna. Kontrollera att skruvarna ligger an ordentligt mot underlaget. Ta libellen på bottenplattan till hjälp.
6. Spärra nivelleringskruvarna med låsmutterna.
7. Dra fast muttern med en U-nyckel.
8. Kontrollera att borrstativet är säkert förankrat.

6.7.2 Säkring av borrstativet med vakuümätning

En vakuümventil är integrerad i bottenplattans handtag.



Borring "över huvudet" med borrstativet monterat endast med vakuümätning är inte tillåten.

1. Skruva loss de fyra nivellerskruvarna tills de sticker ut ca 5 mm under bottenplattan.
2. Koppla slangen mellan vakuümslutningen på bottenplattan och vakuümpumpen.
3. Starta vakuümpumpen och förläng hålcentrum-indikatorn. Placera bottenplattan i önskat läge medan du trycker på vakuümventilen och kontrollerar hålcentrum-indikatorn. Vid korrekt position, tryck bottenplattan mot arbetsytan och släpp vakuümventi-

len. Innan du börjar borra, liksom under arbetets gång, måste du förvissa dig om att tryckmätaren håller sig inom det gröna fältet.

4. De fyra nivelleringskruvarna används sedan för att justera in bottenplattan. Libellen på bottenplattan fungerar som nivelleringshjälp.
5. Dra åt låsmutterna för att förhindra att nivelleringskruvarna rör sig.
6. Vid borring horisontellt måste extra säkringsåtgärd för borrstativet vidtas (t ex en kedja fäst i en expander, ...)
7. Se till att borrstativet är säkert förankrat.

6.7.3 Säkring av borrstativet med snabbstämp

(t ex mellan golv och tak)

1. Förläng hålcentrum-indikatorn och använd den sedan som hjälpmedel för att få borrstativet i rak linje med centrum av det hål som skall borras.
2. Positionera snabbstämpan sedan noggrant i bottenplattans inre oval (inte på nivåindikator eller tryckmätare).
3. Säkra bottenplattan genom att anbringa lätt tryck med snabbstämpan.
4. Använd de fyra nivellerskruvarna för att justera in bottenplattan. Libellen på bottenplattan fungerar som nivelleringshjälp.
5. Dra åt låsmutterna för att förhindra att nivelleringskruvarna rör sig.
6. Dra fast snabbstämpan ordentligt.
7. Se till att borrstativet är säkert förankrat.

6.8 Vattensamlare för borrstativet

Genom att använda vattensamlare kan vattnet avledas från borrkronan utan att området runt omkring blir nedsmutsat. Bästa resultat erhålls om en industridammsugare (våtsugning) används.

Vid borring "över huvudet" är användning av vattensamlare tillsammans med industridammsugare (våtsugning) obligatorisk. Borrstativet måste riggas upp i 90° vinkel mot arbetsytan.

Vattensamlarhylsa och tätning måste ha en storlek som är lämplig för den borrkronediameter som används.

1. Lossa stativets justerspåk tills styrklackarna släpper sitt grepp.
2. Luta stativramen.
3. Montera vattensamlarhållaren
4. Återför stativramen till vertikalläge
5. Flytta justerspaken till dess styrklackarna har greppat fast och stativramen är säkrad igen.
6. Lyft hållaren och för in vattensamlaren därunder så långt det går.
7. Anslut en industridammsugare (våtsugning) till vattensamlaren eller en lång slang, som vattnet kan rinna av i.

6.9 Montering av maskinen på borrstativet

-FÖRSIKTIGHET-

Utlösningssarmen på borrstativet måste vara i öppen läge och matarvagnen så långt upp som möjligt. Borrmatningsmekanismen skall vara låst (kedjestopp greppa).

1. Placera snabbkopplingen på de två montagebultarna på borrstativet. **(6.9.1)**
2. Vrid hastigt maskinen mot borrstativet tills den greppar. **(6.9.2)**
3. Kontrollera utlösningssarmens läge för att säkerställa, att maskinen har greppat och sitter ordentligt fast i borrstativet. **(6.9.3)**
4. Sätt in strömbrytarlåset i greppöppningen. Strömbrytarlåset håller strömbrytaren i läge ON vid kontinuerlig drift.
5. Stäng vattenventilen i sidohandtaget.
6. Anslut vattnet.

6.10 Montering av handvred

1. Placera handvredet på axeln.
2. Säkra handvredet genom att dra fast skruvknappen. Handvredet kan monteras på båda sidor av stativet.

6.11 Inställning av borrstativets borrhinkel

(i etapper om 7,5°, inställning till max. 45°)

1. Lossa stativets justerspåk tills styrklackarna släpper sitt grepp.
2. Positionera stativpelarna i önskat läge.
3. Koppla in styrklackarna.
4. Flytta justerspaken till dess styrklackarna greppar fast och stativramen är säkrad igen.
5. Tryck in och vrid justerspaken tillbaka till vertikalläge.

6.12 Ta bort maskinen från borrstativet

-FÖRSIKTIGHET-

Maskinen får inte vara nätansluten. Borrmatningsmekanismen skall vara låst (kedjestopp greppa).

1. Stäng vattenventilen i sidohandtaget.
2. Koppla från vattnet.
3. Ta bort strömbrytarlåset från greppet.
4. Håll maskinen i greppet med en hand och lossa utlösningssarmen på borrstativet.
5. Vrid maskinen bort från borrstativet.

7. Användning

7.1 Anslut maskinen till elnätet


Kontrollera att nätspänningen stämmer överens med det spänningstal som anges på typskylten.

1. Kontrollera att maskinen är avstängd respektive ta bort strömbrytarlåset.
2. Sätt in stickkontakten i nätuttaget.
3. Tryck på "ON" på jordfelsbrytaren (lampan måste lysa).
4. Tryck på "TEST"-knappen på jordfelsbrytaren (lampan skall inte lysa).

-FARA-

Om indikatorn inte slocknar får verktyget inte användas längre. Då bör du låta en kvalificerad servicetekniker reparera verktyget med originalreservdelar.

5. Tryck på "ON" på jordfelsbrytaren (lampan måste lysa).

	-FÖRSIKTIGHET-
	<ul style="list-style-type: none"> ■ Maskin och borrhningsarbete avger buller. ■ Starkt buller kan skada hörseln. ■ Använd hörselskydd.

 	-FÖRSIKTIGHET-
	<ul style="list-style-type: none"> ■ Borrhningsarbetet kan medföra risk att partiklar slits loss. ■ Kringflygande partiklar kan skada ögonen eller annan del av kroppen. ■ Använd skyddsglasögon och skyddshjälm.

7.2 Torrbörning

7.2.1 Montering av centreringsring

Olika centreringsringar krävs beroende på borrkronans diameter.

1. Montera centreringsringen i diamanborrkronan framtill.

7.2.2 Dammsugare med uttag för elverktyg

Dammsugaren startar automatiskt, då maskinen startas. Stängs maskinen av, stängs också dammsugaren av med kort fördröjning.

Starta

1. Tryck in strömbrytaren på maskinen.
2. Börja borra, med centreringsringen påmonterad, till dess borrhkronesegmenten har gjort spår i underlaget.
3. Stäng av maskinen.
4. Ta av centreringsringen och fortsätt borrhningen.

Stänga av

1. Stäng av maskinen.
2. Vid behov, ta av borrhkronan.

7.2.3 Dammsugare utan uttag för elverktyg

Starta

1. Starta dammsugaren.
2. Starta maskinen.

Stänga av

1. Stäng av maskinen.
2. Låt dammsugaren gå en kort stund för att återstående damm skall avlägsnas före avstängning.

7.3 Handhållen våtborrning

Starta

1. Öppna vattenventilen i sidohandtaget för önskat vattenflöde. Vattenströmvolymen kan kontrolleras på indikatorn på handtaget.
2. Starta maskinen.
3. För att börja borra ett hål, vinkla maskinen något i förhållande till arbetsytan. Detta underlättar vid borrningens början.
5. När borrhålet har påbörjats, återför maskinen i 90° vinkel mot underlaget och fortsätt borrningen.

Stänga av

1. Stäng av maskinen.
2. Stäng vattenventilen på sidohandtaget.

7.4 Handhållen våtborrning med vattensamlare

Kryssmarkeringarna framtill på vattensamlaren fungerar som exakt positioneringshjälp.

Starta

1. Starta vattenutsugsystemet (om sådant används).
2. Öppna långsamt vattenventilen på sidohandtaget för önskat vattenflöde. Kontroll av vattenflödet kan ske via indikatorn på sidohandtaget.
3. Starta maskinen.
4. För att börja borra ett hål, vinkla maskinen något i förhållande till arbetsytan. Detta underlättar vid borrningens början.
5. När borrhålet har påbörjats, återför maskinen i 90° vinkel mot underlaget och fortsätt borrningen.

Stänga av

1. Stäng av maskinen.

-VARNING-

- Vid borrning "över huvudet", får inte kvarblivet vatten från borrkronan rinna ner över maskinen.
2. Stäng vattenventilen på sidohandtaget.
 3. Stäng dammsugaren (om sådan använts).
 4. Vid behov, ta av borrkronan.

7.5 Våtborrning med borrstativ

Starta

1. Starta dammsugaren (våtsugning) [om sådan används].
2. Öppna långsamt vattenventilen på sidohandtaget till önskat vattenflöde. Kontroll av vattenflödet kan ske via indikatorn på sidohandtaget.
3. Använd strömbrytarlåset då maskinen används i kontinuerlig drift.
4. Lossa kedjelåset.

5. Borrkronan bringas i kontakt med arbetsytan med hjälp av handvredet.
6. När borrning påbörjas, pressa bara lätt på borrkronan och öka sedan trycket när borrkronan har centrerats.
7. Under borrning, håll ett öga på överbelastningsindikatorn. Om denna tänds, låtta på trycket på borrkronan.

Stänga av

1. Stäng vattenventilen på sidohandtaget.
 2. Dra ut borrkronan ur hålet.
 3. Fastgör kedjelåset.
 4. Stäng av maskinen.
 5. Stäng av dammsugaren (om sådan använts).
 6. Vid behov, ta av borrkronan.
 7. Stäng av maskinen
- VARNING-**
- Vid borrning "över huvudet", får inte kvarblivet vatten från borrkronan rinna ner över maskinen.
8. Sänk maskin med borrkrona mot bottenplattan för att säkerställa stabilitet i borrstativet.

7.6 Arbetssteg när borrkronan har fastnat

Om borrkronan fastnar utlöses slirkopplingen tills användaren stänger av maskinen. Borrkronan kan lösgöras på följande sätt:

Lossa borrkronan med en U-nyckel

1. Dra ut stickproppen ur uttaget.
2. Grip tag i borrkronan nära insticksänden med en lämplig U-nyckel och vrid tills borrkronan lossnar.
3. Stick in elkontakten i uttaget.
4. Fortsätt med borrningen.

Lossa borrkronan med ett vridkors (endast vid stativdrift)

1. Dra ut elkontakten ur uttaget.
2. Lossa borrkronan med vridkors från underlaget.
3. Stick in elkontakten i uttaget.
4. Fortsätt med borrningen.

7.7 Transport och förvaring:

-OBSERVERA-

- Transportera helst verktyget i Hilti-verktygslådan.
- Öppna vattenflödesregulatorn innan maskinen läggs undan för förvaring. Om temperaturen sjunker under fryspunkten är det särskilt viktigt att inget vatten finns kvar i maskinen.

8. Skötsel och underhåll

Dra ut stickkontakten ur nätanslutningen.

8.1 Skötsel borrkronor

Ta bort eventuell smuts som fastnat på borrkronan och skydda dess yta genom att då och då gnida den med en oljetrasa. Håll anslutningsändan ren och lätt infetad.

8.2 Skötsel maskinen

Kontrollera att stickkontakten är utdragen.

-FÖRSIKTIGHET-

Håll verktyget, särskilt greppytorna, rent och fritt från olja och fett. Använd inga silikonhaltiga skyddsmedel.

Verktygets ytterhölje är tillverkat av slagttålig plast. Handtaget är av elastomer.

Använd aldrig verktyget med tilltäppta ventilations-springor! Rengör ventilationspringorna försiktigt med en torr borste. Se till att främmande föremål inte kommer in i verktyget. Rengör verktygets utsida regelbundet med en lätt fuktad putstrasa. Använd ej högtrycks-spruta, ångstråle eller rinnande vatten till rengöringen! Verktygets elsäkerhet kan riskeras.

Rengör regelbundet chuck och snabbkoppling med trasa och smörj dessa delar med Hilti-spray. Ta bort eventuell smuts och splitter från chucken.

Ta emellanåt av filtret i vattenintaget vid sidohandtaget och skölj av filtersilen under rinnande vatten, i motsatt riktning mot normalt vattenflöde.

Om vattenflödesindikatorn har blivit smutsig, ta bort och rengör delarna. Använd inte slipmedel eller skarpa föremål för att rengöra glaset. Detta kan inverka negativt på indikatorns funktion.

8.3 Underhåll av maskinen

Kontrollera regelbundet att maskinen inte har skador på yttre delar samt att allting fungerar problemfritt. Använd inte maskinen om delar är skadade eller något inte fungerar som det skall. Lämna vid behov in maskinen för reparation hos Hilti serviceverkstad. Reparationer av maskinens elektriska delar får endast utföras av behörig fackman.

8.4 Skötsel av borrstativet

8.4.1 Skötsel av kedjan

Kontrollera att kedjestyrningen är ren och fri från borrhslam. Kedjan måste alltid vara skyddad med en oljehinna.

8.5 Underhåll av borrstativet

8.5.1 Inställning rörlighet

Rörligheten skall vara lätt men utan spel.

Rörligheten kan justeras med hjälp av skruvar (2 upp-till och 2 nedtill).

8.5.1.1 Trögare rörlighet

1. Lossa den undre skruven

2. Spänn övre skruven hårt
3. Spänn undre skruven hårt

8.5.1.2 Lättare rörlighet

1. Lossa övre skruven.
2. Spänn undre skruven hårt.

8.5.2 Inställning kedjespänning

När matarvagnen är i ändläge skall kedjan bara svikta lätt vid horisontell matning. Kedjespänningen kan justeras med två skruvar (kedjesymbol på huvudet).

- Skruva medsols och kedjespänningen ökar
- Skruva motsols och kedjespänningen minskar. Båda kedjorna måste spännas lika.

9. Problemlösning

Fel	Trolig orsak	Problemlösning
Maskinen startar inte	Fel på nätströmmen	Sätt i en annan elapparat och kontrollera om den fungerar
	Kabel eller stickkontakt är defekt	Kontrollera kabeln och låt vid behov en el-fackman byta den
	Defekt strömbrytare	Kontrollera strömbrytaren och låt vid behov en el-fackman byta den
Motorn går men borrkronan roterar inte	Defekt drev	Låt Hilti serviceverkstad reparera maskinen
Hastigheten i borrningsförloppet sjunker	Vattentrycket/vattenflödesnivån är för hög	Reglera vattenflödesnivån vid sidohandtaget.
	Defekt borrkrona	Kontrollera om borrkronan är skadad och byt vid behov ut den
	Defekt drev	Låt Hilti serviceverkstad reparera maskinen
	Borrkronans egg är polerad	Skärp borrkronan på en skärpplatta under vattenspolning
Motorn stannar	Motorn tjuvstannar.	Håll maskinen i rakt läge.
	Maskinen är för varm. Termiska överbelastningsskyddet har lösts ut.	Lätta på belastningen på maskinen och tryck in strömbrytaren flera gånger för att få upp varvtalet igen.
	Defekt elektronik	Låt Hilti serviceverkstad reparera maskinen
	Defekt fläkt	Låt Hilti serviceverkstad reparera maskinen
Inget vattenflöde	Filter eller vattenflödesindikator är blockerad	Ta av filter eller vattennivåindikatorn och spola genom
Vatten läcker ut från drevhuset	Axeltätning / vattenlekare / sughuvud är defekt	Låt Hilti serviceverkstad reparera maskinen
Det går inte att sätta i borrkronan i chucken	Borrkronans insticksände eller chucken är smutsiga eller skadade	Rengör insticksände och chuck eller byt vid behov ut dem
Vatten läcker ut vid chucken	Borrkronans insticksände eller chucken är smutsiga	Rengör insticksände och chuck
	Defekt chuckpackning	Kontrollera packningen och byt vid behov ut den
Kraftigt spel i borrsystemet	Kraftigt spel vid styrningarna	Justera styrningarna.
	Kedjan är otillräckligt spänd	Spänn kedjan
	Pivåmekanismen är lös	Spänn justerspåk för pivåmekanism (6.11)

10. Avfallshantering



De flesta material som Hilti-produkterna är tillverkade av kan återvinnas.

Materialen måste separeras korrekt innan de kan återvinnas.

Hilti tar emot sina uttjänta produkter för återvinning. För ytterligare information, kontakta Hilti Kundtjänst eller din Hilti-säljare.

Hantering av borrar

Av miljöhänsyn är det inte lämpligt att låta borrar rinna ut i vatten eller avlopp utan lämplig förbehandling. Hör dig för hos de lokala myndigheterna för att få reda på vilka föreskrifter som finns.

Vi rekommenderar följande förbehandling:

Samla upp borrar (t.ex. med en industri-damm-sugare).

Låt partiklarna sjunka till botten av behållaren och depnera sedan det fasta avfallet vid en anläggning för byggarbavfall (flockningsmedel kan påskynda avskiljningsprocessen).

Innan den kvarvarande vätskan (basisk, pH-värde > 7) leds in i avloppet måste den neutraliseras genom tillsats av surt neutraliseringsmedel eller genom utspädning med stora mängder vatten.



Gäller endast EU-länder

Elektriska verktyg får inte kastas i hushållssoporna!

Enligt direktivet som avser äldre elektrisk och elektronisk utrustning och dess tillämpning enligt nationell lagstiftning ska uttjänta elektriska verktyg sorteras separat och lämnas till miljövänlig återvinning. Avfallshandling av batterier enligt gällande föreskrifter eller returnera uttjänta batterier till Hilti för återvinning.

11. Tillverkarens produktgaranti

Hilti garanterar att produkten inte har några material- eller tillverkningsfel. Garantin gäller under förutsättning att produkten används och hanteras, sköts och rengörs enligt Hiltis bruksanvisning samt att den tekniska enheten bevarats, d.v.s. att endast originaldelar, tillbehör och reservdelar från Hilti har använts.

Garantin omfattar kostnadsfri reparation eller kostnadsfritt utbyte av felaktiga delar under hela produktens livslängd. Delar som normalt slits omfattas inte av garantin.

Ytterligare anspråk är uteslutna, såvida inte annat strikt föreskrivs i nationella bestämmelser. Framför

allt kan Hilti inte hållas ansvarigt för direkta eller indirekta tillfälliga skador eller följdskador, förluster eller kostnader i samband med användningen eller p.g.a. att produkten inte kan användas för en viss uppgift. Indirekt garanti avseende användning eller lämplighet för något bestämt ändamål är uttryckligen uteslutna.

När felet fastställts ska produkten tillsammans med den aktuella delen skickas för reparation och/eller utbyte till Hiltis serviceverkstad.

Denna garanti omfattar Hiltis samtliga skyldigheter och ersätter alla tidigare eller samtida uttalanden, skriftliga eller muntliga överenskommelser vad gäller garanti.

12. Försäkran om EU-överensstämmelse (original)

Beteckning:	Diamantborrmaskin
Typ:	DD 130
Konstruktionsår:	2001

Vi intygar på eget ansvar att denna produkt överensstämmer med följande direktiv och standarder: 2006/42/EG, 2004/108/EG, EN 61029-1, 2011/65/EU, EN ISO 12100.

Hilti Corporation, Feldkircherstrasse 100,
FL-9494 Schaan

Paolo Luccini
Head of BA Quality & Process Management
BA Electric Tools & Accessories
01/2012

Johannes W. Huber
Senior Vice President
BU Diamond
01/2012

Teknisk dokumentation vid:

Hilti Entwicklungsgesellschaft mbH
Zulassung Elektrowerkzeuge
Hiltistrasse 6
86916 Kaufering
Deutschland

Teemantpuursüsteem DD 130

Enne seadme esmakordset kasutamist tuleb juhend kindlasti läbi lugeda.

Juhend peab olema alati seadme juures.

Juhend peab jääma seadme juurde ka siis, kui viimane antakse edasi teistele isikutele.

- ③① Vaakumvooliku ühendus
- ③② Vaakumhaarats
- ③③ Alusplaat
- ③④ Keti fiksaator
- ③⑤ Käsiratas
- ③⑥ Toitelüliti lukk
- ③⑦ Manomeeter
- ③⑧ Nivooindikaator
- ③⑨ Reguleerimishoob
- ④① Loodimiskruvid
- ④② Ava keskkoha indikaator
- ④③ Seadekõrvad
- ④④ Sügavusmõõdik
- ④⑤ Lukustusmehhanism
- ④⑥ Paigaldustihvtid
- ④⑦ Ketipinguti

DD 130 osad 1

Teemantpuurtoru

- ① Veepörel / ärastusots
- ② Vee vooluhulga indikaator
- ③ Nivooindikaator
- ④ Kruvikeeraja (küljekäepide)
- ⑤ Küljekäepide
- ⑥ Veevoolu regulaator
- ⑦ Veevooliku ühendus
- ⑧ Käiguvahetuslüli
- ⑨ Ajamisektsioon
- ⑩ Mootor
- ⑪ Toitelüliti
- ⑫ Käepide
- ⑬ Ülekoormuse indikaator
- ⑭ PRCD-ga varustatud toitejuhe
- ⑮ Tüübiplaat
- ⑯ Liideseplaat
- ⑰ Kruvikorgid (veepörel/eralduspea)
- ⑱ Kate (veepörel/eralduspea)
- ⑲ Ühendus puurimisprahi ja vee ärastamiseks
- ⑳ Veepöörli lukk
- ㉑ Lukustusrõngas (veepörel/eralduspea)
- ㉒ Padrun

Puuri alus

- ㉓ Käepide
- ㉔ Kett
- ㉕ Sambad
- ㉖ Kuuskantvõti
- ㉗ Kelk
- ㉘ Vabastushoob
- ㉙ Andmeplaat
- ㉚ Ohuventiil vaakumi kõrvaldamiseks

Veekogur kasutamiseks seadet käes hoides

- ④⑦ Kinnitusnupp
- ④⑧ Kinnituskruvi
- ④⑨ Sügavusmõõdik
- ⑤① Veekoguri anum
- ⑤② Tsentreerimisrõngas
- ⑤③ Tsentreerimisrõnga adapter
- ⑤④ Tihend
- ⑤⑤ Paigaldusplaat

Veekogur koos puurialusega kasutamiseks

- ⑤⑥ Hoidik
- ⑤⑦ Veekoguri anum
- ⑤⑧ Tihend

Sisukord	Lehekülg
1. Üldinfo	72
2. Kirjeldus	72
3. Töövahendid ja lisaseadmed	73
4. Tehnilised andmed	73
5. Ohutusnõuded	74
6. Enne kasutamist	77
7. Töötamine	80
8. Puhastamine ja hooldus	82
9. Veaotsing	83
10. Likvideerimine	84
11. Tootja garantii seadmetele	84
12. EÜ-vastavusdeklaratsioon (originaal)	84

1. Üldinfo

1.1 Märksõnad ja nende tähendus

-OHT-

Viidatakse vahetult ähvardavatele ohtudele, millega kaasnevad rasked kehalised vigastused või inimeste hukkumine.

-HOIATUS-

Viidatakse võimalikele ohtlikele olukordadele, millega võivad kaasneda rasked kehalised vigastused või inimeste hukkumine.

-ETTEVAATUST-

Viidatakse võimalikele ohtlikele olukordadele, millega võivad kaasneda kergemad kehalised vigastused või varaline kahju.

-JUHS-

Soovitusi seadme kasutamiseks ja muu kasulik teave.

1.2 Piktogrammid

Hoiatusmärgid



Üldine hoiatus



Ettevaatust: elekter



Ettevaatust: kuum pind

Kohustusmärgid



Kandke kaitseprille



Kandke kaitsekiivrit



Kandke kõrvakaitseid



Kandke kaitsekindaid



Kandke kaitsejalanõusid

Sümbolid



Enne kasutamist lugege läbi kasutusjuhend



Jäätmed suunata ümbertöötlusse

A

amper

V

volt

W

vatt

Hz

herts

/min

pööret minutis

rpm

pööret minutis

~

vahelduvpinge

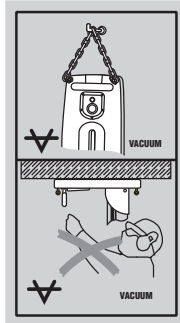
n₀

Tühikäigu-pöördeid

∅

läbimõõt

Puurialusel



Ülal
Horizontaalsel puurimisel tuleb kasutada puurialuse kinnitamiseks lisaks vaakumile muid kinnitustahendeid.

All
Pea kohal puurimiseks tuleb puurialus kinnitada ankru abil või kiire lahti päästemehhanismiga kaldtoe abil.

Seadmel



Pea kohal lagede puurimisel tuleb koos märgtolmuimejaga kasutada ka veekogumissüsteemi.

1 Numbrid viitavad vastavatele joonistele. Joonised leiatakse volditud kaante sisekülgedelt. Juhendi lugemise ajaks voltige kaaned lahti. Käesolevas juhendis nimetatakse teemantpuursüsteemi DD 130 "seadmeks".

Andmesildi asukoht seadmel

Seadme tüübitähis ja seerianumber on kirjas seadme tüübiplaadil. Märkige vastav info seadme kasutusjuhendisse ning Hilti esindaja või teenindusega ühendust võttes viidake alati sellele.

Tüüp: DD 130

Seerianumber: _____

2. Kirjeldus

DD 130 on elektritoitel töötav teemantpuursüsteem, mis on mõeldud käes hoides või puurialusele paigaldatuna kasutamiseks. Sobib märg- või kuivpuurimiseks.

Kasutage sihipäraselt

DD 130 on mõeldud läbivate ja umbavade puurimiseks mineraalmaterjalidesse.

Rakendused:

Puurialusega / ilma puurialuseta	Südamiku diameeter		Puurimissuund
Käes hoides / kuivalt	Tolmuärastusega,	läbimõõt 12–162 mm	Kõik suunad
Käes hoides / märjalt	Ilma veekogumissüsteemita,	läbimõõt 12– 62 mm	Mitte ülespoole
Käes hoides / märjalt	Veekogumissüsteemiga,	läbimõõt 12– 62 mm	Kõik suunad
Puurialuselt / märjalt	Ilma veekogumissüsteemita,	läbimõõt 12–152 mm	Mitte ülespoole
Puurialuselt / märjalt	Veekogumissüsteemiga	läbimõõt 12–132 mm	Kõik suunad

Ülespoole puurimisel tuleb veekogumissüsteemiga ühendada märgtolmuimeja.

● Horisontaalne puurimine vaakumkinnitust kasutades on lubatud üksnes juhul, kui puurialuse kinnitamiseks kasutatakse lisavahendeid. Ülal (pea kohal) puurimiseks võib puurialust kasutada üksnes juhul, kui see kinnitatakse ankruga abil või kiire lahtipäästemehhanismiga kaldtoe abil.

● Asbesti sisaldavate materjalide puurimine pole lubatud.
● Seadme ehituse muutmine või modifitseerimine ei ole lubatud.

● Vigastusteohu vältimiseks tuleb kasutada vaid Hilti originaalvarvikuid ja lisaseadmeid.

● Järgige kasutusjuhendis esitatud seadme kasutus-, hooldus- ja tehnohooldusjuhiseid.

● Seade on ette nähtud vaid professionaalkasutuseks.

● Seadet on lubatud kasutada, hooldada ja remontida vaid vastavate volituste ja väljaõppega isikutel. Nimetatud isikud peavad teadma kõiki võimalikke ohte.

● Seade ja selle lisatarvikud võivad osutada ohtlikuks, kui neid ei kasutata nõuetekohaselt või kui nendega töötab väljaõppeta isik.

● Seadet tohib ühendada vaid kaitsejuhiga varustatud ja piisava ulatusega vooluvõrku.

Komplekti kuuluvad osad:

- Seade
- Küljekäepide
- Hilti kohver või kartongpakend
- Kasutusjuhend
- Puhastuslapp
- Kinnitusvõti SW 19
- Määrdejaotur
- Kaitseprillid

3. Lisaseadmed

Tähis	Artikli nr
Vaakumpump	47034
Kiire lahtipäästemehhanismiga kaldtugi	9870
Veekogumissüsteem kasutamiseks seadet käes hoides	370462
Veekogumissüsteem koos puurialusega kasutamiseks	370460
Puuri alus	370461
Rattakomplekt	232228
DD-CS M12S-SM kinnituspolt	251830
DD-CN SML kinnitusmutter	251834

4. Tehnilised andmed

Nimipinge: *	110 V	120 V	220 V	230 V	240 V
Nimivõimsus:	1700 W	1800 W	1900 W	1900 W	1900 W
Nimivool: *	16 A	15 A	9,1 A	8,7 A	8,3 A
Sagedus:	50/60 Hz	50/60 Hz	50/60 Hz	50/60 Hz	50/60 Hz

Tühikäigu nimikiirus 1. käigu korral	780 /min
2. käik	1400 /min
3. käik	2600 /min
(Vahetage käiku ainult siis, kui pöörlemine on peatunud.)	
Veevarustuse maks. Lubatav surve:	6 baari (Suurema veesurve korral tuleb ehitusplatsi veevarustusühendusele paigaldada survealandusventiil).
Mõõtmed (P×L×K):	515×114×170 mm
Kaal EPTA-Procedure 01/2003 kohaselt:	7,3 kg
Puurialuse kaal:	13,1 kg
Raadio- ja televisioonihäirete summutus:	vastavalt standardile EN 55014-1
Häiretaluvus:	vastavalt standardile EN 55014-2
Kaitseklass vastavalt standarditele EN 60745 ja IEC 60745:	Kaitseklass I (maandatud)
Puurimissügavus:	maks. 430 mm (koos pikendusega 730 mm)

-JUHIS-

Käesolevas kasutusjuhendis toodud vibratsioonitase on mõõdetud standardile EN 60745 vastaval mõõtemetoodil ja seda saab kasutada seadmete omavaheliseks võrdlemiseks. See sobib ka vibratsiooni esialgseks hindamiseks. Toodud vibratsioonitase esineb seadme nõuetekohasel kasutamisel. Kui aga seadet kasutatakse muul otstarbel, teiste tarvikutega või kui seade on ebapiisavalt hooldatud, võib vibratsioonitase toodust kõrvale kalduda. See võib vibratsiooni töö koguperioodi lõikes tunduvalt suurendada. Vibratsiooni täpseks hindamiseks tuleb arvesse võtta ka aega, mil seade oli välja lülitatud või küll sisse lülitatud, kuid tegelikult tööle rakendamata. See võib vibratsiooni töö koguperioodi lõikes tunduvalt vähendada. Seadme kasutaja kaitseks vibratsiooni toime eest rakendage täiendavaid kaitseabinõusid, näiteks hooldage seadmeid ja tarvikuid korralikult, hoidke käed soojad, tagage sujuv töökorraldus.

Andmed müra ja vibratsiooni kohta (mõõdetud vastavalt standardile EN 60745):

Tüüpiline A-kaaluga müravõimsuse tase (L_{WA}):	100 dB (A)
Tüüpiline A-kaaluga müraemissiooni rõhu tase (L_{pA}):	89 dB (A)

Standardi EN 60745 kohaselt on nimetatud mürataseme puhul mõõtetega 3 dB.

Kandke kõrvakaitseid!

Vibratsioonitase kolmel teljel (mõõdetuna 60745-2-1 kohaselt käepidemete juures ja EN 61029 kohaselt pöördristi juures)

Vibratsioonitase kolmel teljel (vibratsiooni-vektorsumma) EN 60745-2-1 (käes hoides)

	Betooni puurimine (veega)	Liivakivi puurimine (HDMU, kuiv)	Liivakivi puurimine (PCM, kuiv)
Vibratsioon $a_{h,DD}$	5 m/s²	6 m/s²	11 m/s²
Mõõtemääramatus K	1,5 m/s ²	1,5 m/s ²	2,5 m/s ²

Vibratsioonitase kolmel teljel (vibratsiooni-vektorsumma) EN 61029, DD 130-Rig (statiivile kinnitatuna)

	Betooni puurimine (veega)	Liivakivi puurimine (HDMU, kuiv)	Liivakivi puurimine (PCM, kuiv)
Vibratsioon $a_{h,DD}$	3,5 m/s²	–	–
Mõõtemääramatus K	1,5 m/s ²	–	–

Kasutajale mõeldud teave vastavalt standardile EN 61000-3-11:

Seadme sisselülitamine võib põhjustada lühiajalise pingelangu. Ebasoodsate tingimuste esinemise korral vooluvõrgus võib see põhjustada häireid teiste seadmete töös. Kui võrgutoite näivtakistus on < 0,15 oomi, siis ei tohiks häireid esineda.

* Seade on saadaval mitmesuguste nimipingete jaoks mõeldud versioonidena. Vastava seadme nimipinge ja –voolu andmed leiate tüübiplaadilt.

Tehnilised andmed võivad muutuda.

5. Ohutusnõuded

5.1 Üldised ohutusjuhised

-HOIATUS- Kõik juhised tuleb läbi lugeda. Alltoodud ohutusjuhiste eiramise tagajärjeks võib olla elektrilöökk, tulekahju ja/või rasked vigastused. Allpool kasutatud mõiste "Elektriline tööriist" käib võrgutoitega (toitejuhtmega) elektriliste tööriistade ja akutoitega (ilma toitejuhtmeta) elektriliste tööriistade kohta.

HOIDKE NEED JUHISED HOOLIKALT ALLES.

5.1.1 Töökoht

- Hoidke töökoht puhas ja korras.** *Segadus ja valgustamata tööpiirkonnad võivad põhjustada õnnetusi.*
- Ärge kasutage seadet plahvatusohtlikus keskkonnas, kus leidub tuleohtlike vedelikke, gaase või tolmu.** *Elektrilistest tööriistadest lööb sädemeid, mis võivad tolmu või auru süüdata.*
- Kui kasutate elektrilist tööriista, hoidke lapsed ja teised isikud töökohast eemal.** *Kui Teie tähelepanu kõrvale juhitakse, võib seade Teie kontrolli alt väljuda.*

5.1.2 Elektriohutus

- Seadme pistik peab pistikupessa sobima.** *Pistiku kallal ei tohi teha mingeid muudatusi. Ärge kasutage kaitsemaandusega seadmete puhul adapterpistikuid. Muutmata pistikud ja sobivad pistikupesad vähendavad elektrilöögi saamise riski.*
- Vältige kehakontakti maandatud pindadega, nagu torud, radiaatorid, pliigid ja külmikud.** *Kui Teie keha on maandatud, on elektrilöögi risk suurem.*
- Hoidke seadet vihma ja niiskuse eest.** *Kui elektriseadmesse on sattunud vett, on elektrilöögi saamise risk suurem.*
- Ärge kasutage toitejuhet selleks mitte ettenähtud otstarbel seadme kandmiseks, ülesriputamiseks ega pistiku pistikupesast väljatõmbamiseks.** *Hoidke toitejuhet kuumuse, õli, teravate servade ja seadme liikuvate osade eest. Kahjustatud või keerduläänud toitejuhtmed suurendavad elektrilöögi saamise riski.*
- Kui töötate elektrilise tööriistaga vabas õhus, kasutage ainult selliseid pikendusjuhtmeid, mida on lubatud kasutada ka välistingimustes.** *Välistingimustes kasutamiseks sobiva pikendus-juhtme kasutamine vähendab elektrilöögi saamise riski.*

5.1.3 Isikukaitse

- Olge tähelepanelik, jälgige, mida Te teete, ning toimige elektrilise tööriistaga töötades mõistlikult.** *Ärge kasutage seadet, kui olete väsinud või uimaste, alkoholi või ravimite mõju all. Hetkeline tähelepanematus seadme kasutamisel võib põhjustada tõsiseid vigastusi.*
- Kandke isikukaitsevahendeid ja alati kaitseprille.** *Isikukaitsevahendite, nagu tolumumask, libisemis-kind-lad turvajalatsid, kaitsekiiver või kuulmiskaitsevahend-did, kandmine – sõltuvalt elektrilise tööriista tüübist ja kasutusala-st – vähendab vigastuste riski.*
- Vältige seadme tahtmatut käivitamist.** *Enne pistiku pistikupessa ühendamist veenduge, et lüliti on*

asendis "VÄLJAS". Kui hoiate seadme kandmisel sõrme lüliti või ühendate vooluvõrku sisselülitatud seadme, võib see põhjustada õnnetusi.

- Enne seadme sisselülitamist eemaldage selle küljest reguleerimis- ja mutrivõtmed.** *Seadme pöörleva osa küljes olev reguleerimis- või mutrivõti võib põhjustada vigastusi.*
- Ärge hinnake end üle.** *Võtke stabiilne tööasend ja hoidke kogu aeg tasakaalu. Nii saate seadet ootamatutes olukordades paremini kontrollida.*
- Kandke sobivat rõivastust.** *Ärge kandke laiu riideid ega ehteid. Hoidke juuksed, rõivad ja kindad seadme liikuvatest osadest eemal. Lotendavad riided, ehted või pikad juuksed võivad sattuda seadme liikuvate osade vahele.*
- Kui on võimalik paigaldada tolmueemaldus- ja tolmutõrjumise-seadiseid/seadmeid, veenduge, et need oleksid seadmega ühendatud ja et neid kasutatakse õigesti.** *Nende seadiste/seadmete kasutamine vähendab tolmust põhjustatud ohte.*

5.1.4 Elektriliste tööriistade hoolikas käsitsemine ja kasutamine

- Ärge koormake seadet üle.** *Kasutage töö tegemiseks selleks ettenähtud elektrilist tööriista. Sobiva elektrilise tööriistaga töötate paremini ja turvalisemalt ettenähtud võimsusvahemikus.*
- Ärge kasutage elektrilist tööriista, mille lüliti on rikkis.** *Elektriline tööriist, mida ei ole enam võimalik sisse ja välja lülitada, on ohtlik ning seda tuleb remontida.*
- Tõmmake pistik pistikupesast välja enne seadme reguleerimist, tarvikute vahetamist ja seadme ärapanemist.** *See ettevaatusabinõu väldib seadme tahtmatut käivitamist.*
- Hoidke kasutusel mitteolevaid elektrilisi tööriistu lastele kättesaamatult.** *Ärge laske seadet kasutada isikutel, kes seda ei tunne või pole siintoodud juhiseid lugenud. Kogenematute kasutajate käes kujutavad elektrilised tööriistad ohtu.*
- Hoolitsege seadme eest.** *Kontrollige, kas seadme liikuvad osad funktsioneerivad korralikult ja ei kiiddu kiini, ning ega mõned osad ei ole katki või sel määral kahjustatud, et võiksid piirata seadme funktsioneerimist. Laske kahjustatud osad enne seadme kasutamist parandada. Paljude õnnetuste põhjuseks on halvasti hooldatud elektrilised tööriistad.*
- Hoidke lõiketarvikud teravad ja puhtad.** *Hoolikalt hoitud, teravate lõikeservadega lõiketarvikud kiiduvad harvemini kinni ja neid on lihtsam juhtida.*
- Kasutage elektrilist tööriista, lisavarustust, tarvikuid jne vastavalt siintoodud juhistelet ning nii, nagu konkreetse seadmetüübi jaoks ette nähtud.** *Arvestage seejuures töötingimuste ja teostatava töö iseloomuga. Elektriliste tööriistade kasutamine mitte ettenähtud otstarbel võib põhjustada ohtlikke olukordi.*

5.1.5 Teenidus

- Laske seadet parandada ainult kvalifitseeritud spetsialistidel ja ainult originaalvaruosadega.** *Nii tagate seadme püsimise turvalisena.*

5.2 Tootespetsiifilised ohutusjuhised

5.2.1 Isikukaitse

- a) **Kandke kuulmiskaitsevahendeid.** Müra võib kahjustada kuulmist.
- b) **Kasutage seadet koos komplekti kuuluvate lisakäepidemetega.** Kontrolli kaotus seadme üle võib põhjustada vigastusi.
- c) **Seadet võib kasutada üksnes siis, kui sellest hoiatakse mõlema käega kinni või kui see on paigaldatud puurialusele.** Viige külgkäepide soovitud asendisse ja veenduge, et see oleks nõuetekohaselt monteeritud ja kinnitatud. Hoidke seadme käepidemetest alati mõlema käega kinni.
- d) **Kui kasutate seadet ilma tolmuemalduseta, tuleb tolmutekitava töö korral kanda kerget tolmukaitsemaski.**
- e) **Vältimaks komistamise ja kukkumise ohtu, hoidke toitejuhe ja pikendusjuhe töötamise ajal alati seadmest tagapool.**
- f) **Vältige komistamist toitejuhtme, pikendusjuhtme või ärastusvooliku otsa.**
- g) **Vältige puurimislobri sattumist nahale.**
- h) **Veenduge, et veepöorel / ärastusots (küljekäepideme paigaldusala) on korralikult oma kohale kinnitatud ja et lukustusrõngas on kinni keeratud (vt. 6.1.3).**
- i) **Puurialusele paigaldamisel veenduge, et seade on korralikult kinnitatud (vt. 6.9).**
- j) **Ärge puudutage pöörlevaid osi.**
- k) **Lapsed ja isikud, kellel puuduvad vajalikud võimed ja oskused, ei tohi seadet ilma eelneva juhendamiseta kasutada.**
- l) **Lastele tuleb selgitada, et seadmega mängimine on keelatud.**
- m) **Pliisisaldusega värvide, teatud liiki puidu, mineraalide ja metalli tolm võib kahjustada tervist.** Tolmu- ja kokkupuude või tolmu sissehingamine võib seadme kasutaja või läheduses viibival isikul põhjustada allergilist reaktsiooni ja/või hingamisteede haigusi. Teatud tüüpi tolm, näiteks tammevõi pöögitolm, võib tekitada vähki, eriti koosmõjus puudutõttlemisel kasutatavate lisaainetega (kromaat, puidukaitsevahendid). Asbesti sisaldavat materjali tohivad töödelda üksnes asjaomase väljaõppega asjatundjad. **Võimaluse korral kasutage tolmuimejat.** Tõhusa tolmuemalduse tagamiseks kasutage puidu ja mineraalsete materjalide tolmu imeamiseks ette nähtud Hilti mobiilset tolmuimejat, mis on elektrilise tööriistaga kohandatud. **Tagage tööpiirkonnas hea ventilatsioon.** Soovitatav on kasutada filtriklassi P2 kuuluvat hingamisteedemaski. Järgige kasutusriigis materjalide töötlemise suhtes kehtivaid eeskirju.

5.2.2 Elektriliste tööriistade hoolikas käsitsemine ja kasutamine

- a) **Kontrollige, kas kasutatavad otsikud sobivad seadme padrunisüsteemiga ja jälgige, et otsikud oleksid padrunisse kindlalt kinnitatud.**

- b) **Voolukatkestuse korral: lülitage seade välja, eemaldage pistik pistikupesast.** See hoiab ära seadme soovimatu käivitumise vooluvõrgust taastumisel.
- c) **Järgige hoolduse ja tehnohoolduse juhiseid ning vahetage südamikke õigel ajal.**
- d) **Kui esineb oht, et tarvik võib tabada varjatud elektrijuhtmeid või seadme enda toitejuhet, hoidke seadet isoleeritud käepidemetest.** Kontakt pingest all olevate juhtmetega pingestab seadme metallosad ja seadme kasutaja võib saada elektrilöögi.

5.2.3 Elektriohtus

- a) **Enne töö algust kontrollige näiteks metallotsija abil, ega tööpiirkonnas ei leidu varjatud elektrijuhtmeid, gaasi- või veetorusid.** Elektrijuhtme vigastamisel võivad seadme välised metalliosad pingest alla sattuda. See tekitab elektrilöögi ohtu.
- b) **Kontrollige regulaarselt seadme toitejuhet ja laske see vigastuste korral vastava ala spetsialistil parandada.** Kontrollige regulaarselt pikendusjuhtmeid, vigastuste korral vahetage need välja. Kui töötamise ajal saab toitejuhe või pikendusjuhe viga, ei tohi juhet puudutada. Tõmmake seadme pistik pistikupesast välja. *Vigastatud elektrijuhtmed ja pikendusjuhtmed on ohtlikud, kuna võivad tekitada elektrilöögi.*
- c) **Seadme pinnale kinnitunud tolm või niiskus võib ebasoodsatel tingimustel põhjustada elektrilöögi, seda just hea elektrijuhtivusega materjalide puhul.** *Seetõttu toimetage määrduvad seadmed kontrollimiseks regulaarselt Hilti teenindustöökotta, eelkõige juhul, kui töötlete tihti hea elektrijuhtivusega materjale.*
- d) **Ärge kasutage seadet kunagi ilma tarnekomplekti kuuluva PRCD-lülilita (GB mudeli puhul ilma eraldustrafota.) Iga kord enne kasutamist kontrollige PRCD üle.**
- e) **Enne sisselülitamist PRCD (maalühise katkesti) juurest veenduge, et seade on välja lülitatud (eemaldage lüliti lukustusosa).** Testige PRCD-d iga kord enne kasutamist (vt. 7.1).

5.2.4 Töökoht

- a) **Hoolitsege töökohta hea valgustuse eest.**
- b) **Hoolitsege hea ventilatsiooni eest töökojal.** Töökohta halvast ventilatsioonist tingitud tolm võib tekitada tervisekahjustusi.

5.2.5 Isikukaitsevahendid

Kasutaja ja kõik muud läheduses viibivad isikud peavad seadme töötamise ajal kanda sobivaid kaitseprille, kaitsekiivrit, kõrvakaitseid, kaitsekindaid ja kaitsejalanõusid.



5.2.6 Kaitsevad seadmed

Ärge kasutage seadet kunagi ilma kaitsevademeteta:

- Ärge kasutage seadet kunagi ilma veepöörli/ärastusotsata.
- Horisontaalsel puurimisel tuleb puurialuse kinnitamiseks kasutada lisaks vaakumile lisakinnitusvahendeid.
- Ülal (pea kohal) puurimiseks tuleb puurialus kinnitada ankru abil või kiire lahtipäästemehhanismiga kaldtoe abil.
- Pea kohal märgpuurimist teostades tuleb koos märgtolmuimejaga kasutada veekogumissüsteemi.

6. Enne kasutamist

Juhendis toodud ohutusnõuded tuleb läbi lugeda ja neid peab alati täpselt järgima.

-ETTEVAATUST-

Eemaldage seade vooluvõrgust.



Pikenduskaabli kasutamise korral: Kasutada tohib üksnes planeeritud kasutusviisi jaoks kinnitatud tüüpi ning sobiva ristlõikega pikenduskaableid. Selle nõude eiramine võib põhjustada seadme jõudluse vähenemist ja kaabli ülekuumenemist. Kahjustatud pikenduskaablid tuleb välja vahetada.

Kaabli soovitatavad ristlõiked ja maksimumpikkused on järgmised:

Võrgupinge	Juhtme ristlõige		
	1,5 mm ²	2,0 mm ²	2,5 mm ² 3,5 mm ²
100 V		20 m	40 m
110 V	20 m		40 m
220–230 V	50 m		80 m

-ETTEVAATUST-	
 	<ul style="list-style-type: none"> ■ Seade, teemantsüdamik ja puurialus on rasked. ■ Kehaosad võivad muljuda saada. ■ Kandke kaitsekiivrit, kaitsekindaid ja kaitsejalanõusid.

6.1 Küljekäepide

6.1.1 Küljekäepideme paigaldamine

1. Kruvige küljekäepide seadme külge ja pingutage see kindlalt kinni.

6.1.2 Küljekäepideme paigaldamine teistsugusesse asendisse

1. Eemaldage kruvikork kohast, kuhu soovite küljekäepidet paigaldada (näiteks vasaku käega kasutamiseks). Küljekäepideme otsas paiknevat pidet saab maha kruvida ja kruvikeerajana kasutada.
2. Kruvige küljekäepide soovitud asendisse seadme külge ja pingutage see kindlalt kinni.
3. Pange kruvikork nähtaval olevasse keerrestatud avasse.

6.1.3 Ärastusotsa / veepöörli (ja küljekäepideme) reguleerimine

1. Suruge veepöörli lukk lukustusrõnga ja veepöörli / ärastusotsa vahelisest pilust välja.

2. Vabastage padruni ja küljekäepideme vahel paiknev lukustusrõngas.
3. Viige küljekäepide soovitud asendisse (15° sammut).
4. Pingutage lukustusrõngast, kuni hambad ja veepöörli lukk haakuvad.

6.2 Teemantsüdamiku paigaldamine

-ETTEVAATUST-

Kasutage ainult Hilti originaalsüdamikke ja lisatarvikuid!

-ETTEVAATUST-	
	<ul style="list-style-type: none"> ■ Südamik võib kasutamise või teritamise ajal kuumeneda. ■ See võib teie käsi põletada. ■ Lõikeservad (segmentid) võivad vigastusi tekitada. ■ Kandke südamikku vahetades kaitsekindaid.





1. Avage padrun. Selleks keerake seda vastupäeva (padruni esiosa poolt vaadates).
2. Pange teemantsüdamik padrunisse.
3. Lükake teemantsüdamik padruni sisse ja keerake südamikku, kuni see haakub.
4. Sulgege padrun. Selleks keerake seda päripäeva (padruni esiosa poolt vaadates).
5. Kontrollige, kas südamik on kindlalt oma kohal. Selleks võtke südamikust kinni ja proovige seda padrunist välja tõmmata.

6.3 Puurimiskiiruse valimine (käiguvahetuslülitil asendid 1-2-3)




-ETTEVAATUST-

Ärge kasutage käiguvahetuslülitit seadme töötamise ajal. Oodake, kuni pöörlemine on lõppenud.

Kasutamine seadet käes hoides:

	mm	Ø	Inch	
	40 - 62 12 - 37		1 5/8" - 2 1/2" 1/2" - 1 1/2"	II III <small>278663</small>
	122 - 162 67 - 112 12 - 62		4 3/4" - 6 1/2" 2 5/8" - 4 1/4" 1/2" - 2 1/2"	I II III

Puurialusega kasutamine:

	Ø		
	mm	Inch	<small>278755</small>
	57 - 152 28 - 52 12 - 25	2 1/4" - 6" 1 1/8" - 2" 1/2" - 1"	I II III

1. Valige kõik vastavalt seadme peal olevale tabelile.
2. Viige käiguvahetuslülit soovitud asendisse, samal ajal pöörake südamikku.

6.4 Kuivpuurimine

6.4.1 Tolmuärastussüsteemi ühendamine

1. Krivige maha veepöörli / ärastusotsa kate.
2. Pange tolmuärastusvoolik tolmuärastusühendusse.
3. Sulgege küljekäepidemel paiknev veeventil.

6.5 Märpuurimine seadet käes hoides

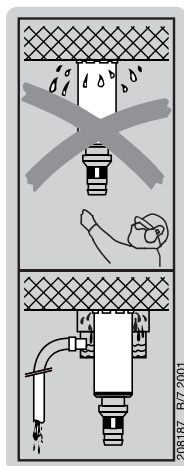
6.5.1 Veevarustuse ühendamine

1. Sulgege küljekäepidemel paiknev veeventil.
2. Sulgege tolmuärastusühenduse kate.
3. Ühendage veevoolik (voolikuühendus).

6.6 Märpuurimine seadet käes hoides ning veekogumissüsteemi kasutades

6.6.1 Veekogumissüsteemi paigaldamine

Veekogumissüsteemi kasutamine võimaldab vee ärajuhtimist südamiku juurest ja takistab ümbritseva ala märjaks saamist. Parimad tulemused saavutatakse koos märgtolmuimejaga.



Pea kohal märpuurimist teostades on kohustuslik kasutada koos märgtolmuimejaga ka veekogumissüsteemi.

steemi. Asetage küljekäepide ja veepörel / ärastusots selliselt, et need ei takistaks veekogumissüsteemi paigaldamist. Tsentreerimiseks ja tihendi suurus peab sobima kasutatavale südamikule läbimõõdule.

1. Paigutage veekogumissüsteem seadme alumiselt küljelt kahe paigaldustihvti peale.
2. Lükake veekogumissüsteemi ettepoole.
3. Veekogumissüsteemi kinnitamiseks keerake nuppu.
4. Ühendage märgtolmuimeja veekogumissüsteemi esiosaga. Alternatiivina tolmuimeja kasutamisele võib lasta veel konnektori külge ühendatud vooliku kaudu ära voolata (pole lubatav pea kohal puurimise korral).

6.6.2 Sügavusmõõdiku reguleerimine

1. Seadke sügavusmõõdik sobivale sügavusele.
2. Kasutage sügavusmõõdiku kinnitamiseks pitskruvi.

6.7 Puurialuse kasutamine

6.7.1 Puurialuse kinnitamine ankruga

-HOIATUS-

Kasutage konkreetse aluspinnaga sobivat ankrut ja järgige ankrutootja juhiseid.

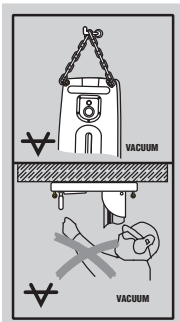
-JUHIS-

Hilti metallankrud M12 on üldjuhul ette nähtud teemantsüdamikpuuriga tehtavateks kinnitusteks pragunenemata betoonis. Teatavatel tingimustel võib siiski osutada vajalikuks teistsugune kinnitus. Tugevat kinnitust puudutavates küsimustes pöörduge Hilti tehnilise teeninduse poole.

1. Lööge puuritava ava keskkohast (soovitavalt) 200 mm kaugusele konkreetse aluspinnaga sobiv ankur.
2. Kruvige kiirkinnitatav spindel ankrusse.
3. Asetage puurialus kiirkinnitatava spindli peale ja rih-tige puurialus ava keskkoha indikaatori abil välja.
4. Keerake mutter kiirkinnitatavale spindlile, ilma et pingutaksite seda kinni.
5. Seadke plaat nelja nivelleerimiskruvi abil loodi. Veenduge, et nivelleerimiskruvid on pinnaga ühetasa. Alusplaadil olev vesilood on seejuures abiks.
6. Fikseerige nivelleerimiskruvid kontramutritega.
7. Pingutage mutter lehtvõtmega kinni.
8. Veenduge, et puurialus on kindlalt kinnitatud.

6.7.2 Puurialuse kinnitamine vaakumhaaratsi abil

Alusplaadi käepidemesse on sisse ehitatud vaakumi vabastusventiil.



Pea kohal puurimisel pole lubatud kasutada üksnes vaakumi abil kinnitatud puurialust.

1. Keerake neli loodimiskruvi lahti, kuni nad ulatuvad umbes 5 mm võrra alusplaadi alt välja.
2. Ühendage alusplaadi vaakumiühenduse ja vaakumpumba vaheline voolik.
3. Lülitage vaakumpump sisse ja tõmmake ava keskkoha indikaator pikalt välja. Vajutage vaakumi vabastusventiili, jälgige ava keskkoha indikaatorit ja asetage alusplaat soovitud asendisse. Kui alusplaat on õiges asendis, vajutage see vastu tööpinna ja eemaldage sõrm vaakumi vabastusventiililt. Enne puurimise alustamist ja töötamise ajal tuleb veenduda, et manomeetri osuti jääb rohelisse piirkonda.
4. Seejärel tuleb alusplaat nelja loodimiskruvi abil loodi seada. Loodimisel on abiks alusplaadil paiknev vesilood.
5. Loodimiskruvide hilisema liikumise vältimiseks pingutage kontramutreid.
6. Horisontaalsel puurimisel tuleb puurialuse kinnitamiseks kasutada lisavahendeid.
7. Veenduge, et puurialus on kindlalt kinnitatud.

6.7.3 Puurialuse kinnitamine kiire lahtipäästemehhanismiga kaldtoe abil (näiteks põranda ja lae vahel)

1. Tõmmake ava keskkoha indikaator välja ja seadke puurialus selle abil puuritava ava keskkohaga kokkukuti.
2. Seadke kiire lahtipäästemehhanismiga kaldtoe ots hoolikalt alusplaadi sisemisse ovaali (mitte nivooindikaatori ega manomeetri peale).
3. Kinnitage alusplaat. Selleks rakendage kiire lahtipäästemehhanismiga kaldtoe abil kerget survet.
4. Seejärel seadke alusplaat nelja loodimiskruvi abil loodi. Loodimisel on abiks alusplaadil paiknev vesilood.
5. Loodimiskruvide hilisema liikumise vältimiseks pingutage kontramutreid.
6. Pingutage kiire lahtipäästemehhanismiga kaldtugi kindlalt oma kohale kinni.
7. Veenduge, et puurialus on kindlalt kinnitatud.

6.8 Veekogumissüsteem koos puurialusega kasutamiseks

Veekogumissüsteemi kasutamine võimaldab vee ärajuhtimist südamikule juurest ja väldib ümbritseva ala märjaksamist. Parimad tulemused saavutatakse koos märgtolmuimejaga.

Pea kohal märgpuurimist teostades on kohustuslik kasutada koos märgtolmuimejaga ka veekogumissüsteemi. Puurialus tuleb paigaldada tööpinna suhtes 90° nurga all.

Veekoguri muhvi ja tihendi suurus peavad sobima kasutatava südamikule läbimõõduga.

1. Laske samba reguleerimishooba lõdvemale, kuni seadekõrvad lahti tulevad.
2. Kallutage raami.
3. Paigaldage veekoguri hoidik.
4. Asetage raam tagasi vertikaalasendisse.

- Sulgege reguleerimishoovad, kuni seadekõrvad on täielikult haakunud ja raam on uuesti kindlalt paigas.
- Tõstke hoidikut ja lüskake veekoguri anum nii kaugele fiksaatori alla kui võimalik.
- Ühendage veekoguri anumaga märgtolmuimeja või ühendage voolik, mille kaudu vesi saab ära voolata.

6.9 Seadme paigaldamine puurialusele -ETTEVAATUST-

Puurialuse vastushoob peab olema avatud asendis ja kelk oma liikumistee ülaotsas.

Puurimise edasinhkemehhanism peab olema lukustatud (keti fiksaator kinnitatud).

- Asetage seadme liideseplaat kahe puurialusel paineva paigaldustihvti peale. **(6.9.1)**
- Suruge seadet jõuliselt vastu trellistatiivi, kuni seade fikseerub kuuldavalt oma kohale. **(6.9.2)**
- Tagamaks seadme korrektset fikseerumist trellistatiivil, tuleb kontrollida lukustuspideme asendit. **(6.9.3)**
- Pange lüliti lukk käepideme avasse. Lüliti lukku kasutatakse lüliti SEESasendis hoidmiseks pikemaajalise töötamise ajal.
- Sulgege küljekäepidemes paiknev veeventiil.
- Ühendage veevarustus.

6.10 Käsiratta paigaldamine

- Paigaldage käsiratta teljele.
- Käsiratta kinnitamiseks keerake kruvinupp. Käsiratta võib paigaldada ükskõik kummale poole puurialust.

6.11 Puurialuse puurimisnurga reguleerimine (7,5° sammudega; reguleeritav maks. kuni 45°)

- Laske samba reguleerimishoobasid lödvemale, kuni seadekõrvad lahti tulevad.
- Asetage sambad soovitud asendisse.
- Kinnitage seadekõrvad.
- Liigutage reguleerimishoobasid, kuni seadekõrvad on täielikult haakunud ja raam on uuesti kindlalt paigas.
- Vajutage reguleerimishoobasid sissepoole ja pöörake need tagasi vertikaalasendisse.

6.12 Seadme eemaldamine puurialuselt -ETTEVAATUST-

Seade tuleb vooluvõrgust eemaldada.

Puurimise edasinhkemehhanism peab olema lukustatud (keti fiksaator kinnitatud).

- Sulgege küljekäepidemes paiknev veeventiil.
- Ühendage veevarustus lahti.
- Eemaldage lüliti lukk käepidemest.
- Hoidke seadet selliselt, et üks käsi on käepidemel ja vabastage puurialuse hoob.
- Pöörake seade puurialusest eemale.

7. Töötamine

7.1 Ühendage seade vooluvõrku


Elektrivõrgu pinge peab vastama tüübisildil toodud pingele.



- Kontrollige, kas seade on välja lülitatud või eemaldage vastavalt lüliti lukk.
- Ühendage toitejuhtme pistik elektrikontakti.
- Vajutage PRCD maalühise katkesti sisselülitamisnupp "ON" (tuli peab süttima).
- Vajutage PRCD maalühise katkesti testimisnupp "TEST" (tuli ei tohi süttida).

-OHT-

Kui indikaatorituli ei kustu, ei tohi seadet enam kasutada. Laske seade parandada asjaomase väljaõppega tehnikutel, kes kasutavad originaalvaruosi.

- Vajutage PRCD maalühise katkesti sisselülitamisnupp "ON" (tuli peab süttima).

-ETTEVAATUST-	
	<ul style="list-style-type: none"> ■ Seade ja puurimisoperatsioon tekitavad müra. ■ Liigne müra võib kuulmist kahjustada. ■ Kandke kõrvakaitseid.

-ETTEVAATUST-	
 	<ul style="list-style-type: none"> ■ Puurimisoperatsiooni käigus võib laiali lennata ohtlikke kilde. ■ Lendavad killud võivad vigastada silmi või muid kehaosi. ■ Kandke kaitseprille ja –kiivrit.

7.2 Kuivpuurimine

7.2.1 Ava puurimise alustamise abivahendi paigaldamine

Iga teemantsüdamiku läbimõõdu puhul on vaja erinevat ava puurimise alustamise abivahendit.

- Paigaldage ava puurimise alustamise abivahend teemantsüdamiku esiotsa.

7.2.2 Elektritööriistade ühendamiseks mõeldud kontaktiga varustatud tolmuimeja

Tolmuimeja käivitub automaatselt pärast elektritööriista sisselülitamist. Elektritööriista väljalülitamisel lülitub tolmuimeja teatud viivituse järel samuti välja.

Sisselülitamine

- Vajutage seadme toitelüliti.
- Kui ava puurimise alustamise abivahend on paigaldatud, alustage puurimist ja jätkake, kuni esileulatuavad osad on alusmaterjali sisse sälgu tekitanud.
- Lülitage seade välja.
- Eemaldage ava puurimise alustamise abivahend ja jätkake puurimist.

Väljalülitamine

1. Lülitage seade välja.
2. Vajadusel eemaldage südamik.

7.2.3 Tolmuimeja, millel ei ole elektritööriistade ühendamiseks mõeldud kontakti

Sisselülitamine

1. Lülitage tolmuimeja sisse.
2. Vajutage seadme toitelülitiit.

Väljalülitamine

1. Lülitage seade välja.
2. Laske tolmuimejal enne väljalülitamist veel veidi aega töötada, et allesjäänud tolm eemaldada.

7.3 Märgpuurimine seadet käes hoides

Sisselülitamine

1. Avage küljekäepidemes paiknevat veeventiili niikaua, kuni vee vooluhulk on piisav. Vee vooluhulka saab jälgida käepidemel olevalt indikaatorilt.
2. Vajutage toitelülitiit.
3. Ava puurimise alustamisel hoidke seadet tööpinna suhtes väikese nurga all. See muudab ava puurimise alustamise kergemaks.
4. Kui ava puurimist on alustatud, asetage seade 90° asendisse ja jätkake puurimist.

Väljalülitamine

1. Lülitage seade välja.
2. Sulgege küljekäepidemel paiknev veeventiil.

7.4 Märgpuurimine seadet käes hoides ja veekogumissüsteemi kasutamise korral

Veekogumissüsteemi esiotsal paiknevad niitristi märgid on paigutamisel täpselt abivahendiks.

Sisselülitamine

1. Lülitage sisse veearastussüsteem (kui see on kasutusel).
2. Avage aeglaselt küljekäepidemel paiknevat veeventiili niikaua, kuni vee vooluhulk on piisav. Vee voolumäära kontrollimiseks kasutage küljekäepidemel paiknevat indikaatorit.
3. Vajutage toitelülitiit.
4. Ava puurimise alustamisel hoidke seadet tööpinna suhtes väikese nurga all. See muudab ava puurimise alustamise kergemaks.
5. Pärast ava puurimise alustamist asetage seade 90° asendisse ja jätkake puurimist.

Väljalülitamine

1. Lülitage seade välja.
-HOIATUS-
Kui pea kohal puurimisel jääb südamikuossa vett, ei tohi sel lasta mööda seadet alla voolata.
2. Sulgege küljekäepidemel paiknev veeventiil.
3. Lülitage tolmuimeja välja (kui see on kasutusel).
4. Vajadusel eemaldage südamik.

7.5 Märgpuurimine puurialust kasutades

Sisselülitamine

1. Lülitage (märg)tolmuimeja sisse (kui see on kasutusel).
2. Avage aeglaselt küljekäepidemel paiknevat veeventiili niikaua, kuni vee vooluhulk on piisav. Vee voolumäära kontrollimiseks saab kasutada küljekäepidemel paiknevat indikaatorit.
3. Püsitöö režiimi käitamiseks kasutage lüliti aktivaatorit.
4. Vabastage keti fiksaator.
5. Asetage südamik käsiratast pöörates vastu tööpinda.
6. Puurimise alguses rakendage südamikule üksnes kergert survet. Kui südamik on tsentreeritud, suurendage survet.
7. Puurimise ajal jälgige ülekoormuse indikaatorit. Kui ülekoormuse indikaator süttib, tuleb südamikule rakendatavat survet vähendada.

Väljalülitamine

1. Sulgege küljekäepidemel paiknev vee reguleerimise ventiil.
2. Tõmmake südamik avast välja.
3. Rakendage keti fiksaator.
4. Lülitage seade välja.
5. Lülitage tolmuimeja välja (kui see on kasutusel).
6. Vajadusel eemaldage südamik.
7. Lülitage seade välja.
-HOIATUS-
Pea kohal puurimisel ei tohi südamikuossa jäänud veel lasta mööda seadet alla voolata.
8. Tagage puurialuse stabiilsus. Selleks langetage seade ja südamik alusplaadile.

7.6 Tööoperatsioonid kroonpuuri kinnikiilumisel

Kroonpuuri kinnikiilumisel rakendub kaitsesidur seniks, kuni kasutaja seadme välja lülitab. Kroonpuuri saab vabastada järgmiselt:

Kroonpuuri vabastamine lehtvõtmega

1. Tõmmake toitepistik pistikupesast välja.
2. Võtke kroonpuur padrunisse kinnituva otsa lähedalt lehtvõtme vahele ja keerake lehtvõtmega lahti.
3. Ühendage seadme toitepistik pistikupesassa.
4. Jätkake puurimist.

Kroonpuuri vabastamine pöördristiga (üksnes puurialusel kasutamise korral)

1. Tõmmake toitepistik pistikupesast välja.
2. Vabastage kroonpuur pöördristi abil aluspinnast.
3. Ühendage seadme toitepistik pistikupesassa.
4. Jätkake puurimist.

7.7 Transport ja hoidmine:

-JUHIS-

- Transportige seadet võimaluse korral Hilti kohvis.
- Enne seadme hoialepanekut avage veeregulaator. Eelkõige miinustemperatuuride puhul veenduge, et seadmesse ei jää vett.

8. Puhastamine ja hooldus

Eemaldage toitepistik elektrikontaktist.

8.1 Südamike hooldus

Eemaldage südami ke külge jäänud mustus ja kaitske nende pinda korrosiooni eest. Selleks hõõruge neid aeg-ajalt õlise lapiga. Hoidke ühendusots kogu aeg puhta ja kergelt määrituna.

8.2 Seadme hooldus

Kontrollige, kas toitejuhtme pistik on kontaktist eemaldatud.

-ETTEVAATUST-

Hoidke seade, eelkõige selle käepidemed, puhtad ja vabad õlist ja rasvast. Ärge kasutage silikooni sisaldivaid hooldusvahendeid.

Seadme korpuse pealmine pool on valmistatud löögi-kindlast plastist. Käepideme osa on kummist. Ärge kasutage seadet, mille ventilatsioonivad on ummistunud! Puhastage ventilatsioonivad ettevaatlikult kuiva harjaga. Takistage vöörkehade sissetungimist seadme sisse. Puhastage seadme välispinda regulaarselt veidi niiske lapiga. Ärge kasutage puhastamiseks pihustit, aurupuhastit ega voolavat vett! See võib mõjutada seadme elektrilist ohutust.

Puhastage padrunit ja kinnitussegmente regulaarselt riidelapiga ning määrige neid osi Hilti määrdeaerosooliga. Eemaldage padrunit kogu mustus ja puru.

Eemaldage aeg-ajalt küljekäepideme juures paikneva vee sisselaskeava filter ja puhastage filtrisõela voolava vee all normaalsele veevoolule vastupidises suunas.

Kui vee vooluhulga indikaator on mustaks saanud, eemaldage see ja puhastage osad. Ärge kasutage vaateklaasi puhastamiseks abrasiivaineid ega teravaid esemeid. See võib vee vooluhulga indikaatori töötamisele halvasti mõjuda.

8.3 Seadme tehnohooldus

Kontrollige regulaarselt, kas seadme välised osad on korras ja kas lülid töötavad nõuetekohaselt. Ärge kasutage seadet, kui mõni osa on kahjustatud või mõni lülit ei tööta korralikult. Seadet tuleb remontida Hilti hooldekeskuses.

Seadme elektriosa on lubatud remontida üksnes professionaalsetel elektrikutel.

8.4 Puurialuse hooldamine

8.4.1 Keti hooldus

Kontrollige ketijuhikuid, tagamaks, et need on puhtad ega ole puurimislobriga koos. Kett peab alati olema määrdekihiga kaetud.

8.5 Puurialuse tehnohooldus

8.5.1 Liikumise reguleerimine

Liikumine peab olema kerge, aga ilma lõtkuta.

Liikumist saab reguleerida kruvide abil (2 üleval ja 2 all).

8.5.1.1 Jäigem liikumine

1. Keerake alumine kruvi lahti.
2. Pingutage vajalikul määral ülemist kruvi.
3. Pingutage alumist kruvi nii palju kui võimalik.

8.5.1.2 Kergem liikumine

1. Keerake ülemine kruvi lahti.
2. Pingutage alumist kruvi nii palju kui võimalik.

8.5.2 Keti pingsuse reguleerimine

Kui kelk on lõppasendis, tohib horisontaalselt jooksev kett ainult veidi lõtvuda. Keti pingsust saab reguleerida kahe kruvi abil (kattel keti sümbol).

- Päripäeva keeramine suurendab keti pingsust.
- Vastupäeva keeramine vähendab keti pingsust. Mõlemad ketid peavad olema võrdselt pingul.

9. Veatsing

Viga	Võimalik põhjus	Lahendus
Seade ei käivitu.	Vooluvõrgu rike.	Ühendage kontakti mõni muu elektriseade ja kontrollige, kas see töötab.
	Toitepistik või –juhe defektne.	Juhet peab kontrollima ja vajadusel vahetama professionaalne elektrik.
	Lüliti defektne.	Lülitiit peab kontrollima ja vajadusel välja vahetama professionaalne elektrik.
Mootor töötab, aga südamik ei pöörle. Puurimiskiirus väheneb.	Ajam defektne.	Seadet tuleb remontida Hilti hooldekeskuses.
	Veesurve liiga kõrge / vee voolumäär liiga suur.	Reguleerige küljekäepideme juurest vee voolumäära.
	Südamik defektne.	Kontrollige, kas südamik on kahjustatud, vajadusel vahetage välja.
	Ajam defektne.	Seadet tuleb remontida Hilti hooldekeskuses.
Mootor jääb seisma.	Südamiku segmendid siledaks poleeritud.	Teritage südamiku teritusplaadil voolava vee all.
	Seade seiskub.	Juhtige seadet otsejuones.
	Seade on ülekuumenenud. Mootori termiline ülekoormuskaitse on rakendunud.	Vähendage seadme koormust ja laske sel täiskiiruse saavutamiseni töötada. Selleks vajutage paar korda lülitiit.
	Elektroonika defektne.	Seadet tuleb remontida Hilti hooldekeskuses.
Vett ei voola.	Jahutusventilaator defektne.	Seadet tuleb remontida Hilti hooldekeskuses.
	Filter või vee vooluhulga indikaator blokeeritud.	Eemaldage filter või vee vooluhulga indikaator ja uhtuge see läbi.
Ajamikorpuse juurest lekib vett.	Võllitihend / veepöörel / ärastusots defektne.	Seadet tuleb remontida Hilti hooldekeskuses.
Südamikku pole võimalik padrunisse panna.	Padruni ühendusots on määrdunud või kahjustatud.	Puhastage padruni ühendusotsa. Vajadusel vahetage vastavad osad välja.
Padruni juurest lekib vett.	Padruni ühendusots on määrdunud. Padruni tihend defektne.	Puhastage padruni ühendusotsa. Kontrollige tihendit, vajadusel vahetage see.
Puurimissüsteemi lõtk liiga suur.	Liigne lõtk juhikute juures.	Reguleerige juhikuid uuesti.
	Kett ebapiisavalt pingutatud.	Pingutage ketti.
	Pöördmehhanism lahti.	Pingutage pöördmehhanismi reguleerimishooba (6.11).

10. Likvideerimine



Enamik Hilti seadmete valmistamisel kasutatud materjalidest on taaskasutatavad. Materjalid tuleb enne taaskasutust korralikult sorteerida. Paljudes riikides hoolditakse Hilti vanade seadmete tagasivõtmise eest. Lisainfo saate Hilti klienditeenindusest või müügiesindusest.

Puurimisprahi/-muda käitlemine

Keskonna seisukohalt ei ole soovitatav puurimisprahi ilma eeltöötluseta veekogudesse ja kanalisatsiooni suunata. Teavet kehtivate eeskirjade kohta saate asjaomastest ametkondadest.

Soovitame kasutada järgmist eeltöötlust:

Koguge puurimisprahi kokku (nt märgtolmuimeja abil) Laske prahil ehitusjätmete utiliseerimiskohas settida ja tahkainetest vabaneda. (Flokulandi lisamine võib settimisprotsessi kiirendada)

Enne kanalisatsioonisüsteemi suunamist tuleks puurimisprahist saadud vesi (aluseline, pH-tase > 7) happelise neutraliseerimisvahendi või rohke vee abil neutraliseerida.



Üksnes EL liikmesriikidele

Ärge käidelda kasutuskõlbmatuks muutunud elektrilisi tööriistu koos olmejätmetega!

Vastavalt Euroopa Parlamendi ja nõukogu direktiivile elektri- ja elektroonikaseadmete jäätmekohastamise kohta ning direktiivi nõuete kohaldamisele liikmesriikides tuleb kasutuskõlbmatuks muutunud elektrilised tööriistad koguda eraldi ja keskkonnasäästlikult korduskasutada või ringlusse võtta.

11. Tootja garantii seadmetele

Hilti garanteerib, et tarnitud seadmel ei esine materjali- ega tootmisvigu. Garantii kehtib tingimusel, et seadet kasutatakse, käsitsetakse, hooldatakse ja puhastatakse korrektselt vastavalt Hilti kasutusjuhendile ja et säilinud on seadme tehniline terviklikkus, s.t. et seadmes on kasutatud üksnes Hilti originaalvarikuid, -varuosid ja -materjale.

Käesoleva garantii alusel parandatakse või asendatakse defektsed osad tasuta seadme kogu kasutusea jooksul. Detailide normaalne kulumine ei kuulu garantii alla.

Kõik teistsugused nõuded on välistatud, välja arvatud juhul, kui see on vastuolus kasutusriigis kehtiva

vate seadustega. Eelkõige ei vastuta Hilti otseste, kaudsete, juhuslike ega järgnevate kahjustuste, kahjude või kulutuste eest, mille põhjuseks on seadme kasutamine või kasutamise võimatus. Välistatud on ka kaudsed kasutatavuse või teatud otstarbekohasuse sobivuse garantiid.

Parandamiseks või asendamiseks tuleb seade ja/või asjaomased osad saata kohe pärast puuduse avastamist Hilti müügiesinduse poolt näidatud aadressile.

Käesolev garantii hõlmab kõiki Hilti garanteerimise kohustusi ning asendab kõiki varasemaid või samal ajal tehtud garantiikohustusi käsitlevaid avaldusi ning kirjalikke ja suulisi kokkuleppeid.

12. EÜ-vastavusdeklaratsioon (originaal)

Tähis:	Teemantsüdamikuga puur
Tüüp:	DD 130
Konstrueerimise aasta:	2001

Me deklareerime oma ainuvastutusega, et see toode vastab järgmistele standarditele ja standardiseerimisdokumentidele: 2006/42/EÜ, 2004/108/EÜ, EN 61029-1, 2011/65/EL, EN ISO 12100.

Hilti Corporation, Feldkircherstrasse 100, FL-9494 Schaan

Paolo Luccini
Head of BA Quality & Process Management
BA Electric Tools & Accessories
11/2009

Johannes W. Huber
Senior Vice President
BU Diamond
11/2009

Tehnilised dokumendid saadaval:

Hilti Entwicklungsgesellschaft mbH
Zulassung Elektrowerkzeuge
Hiltistrasse 6
86916 Kaufering
Deutschland

ORIĢINĀLĀ LIETOŠANAS INSTRUKCIJA

DD 130 dimanta urbjašīna

Ir svarīgi, lai pirms instrumenta lietošanas pirmo reizi būtu izlasīta tā lietošanas pamācība.

Šo lietošanas pamācību vienmēr uzglabājiēt kopā ar instrumentu.

Instrumentu nododot citām personām, nodrošiniēt, lai līdz ar instrumentu tiktu nodota arī tā lietošanas pamācība.

- 28 Izlaides svira
- 29 Specifikācijas plāksnīte
- 30 Vakuuma izplūdes vārsts
- 31 Vakuuma šļūtenes savienotājs
- 32 Vakuuma spilvens
- 33 Atbalsta plāksne
- 34 Kēdes apturis
- 35 Rokriteris
- 36 Ieslēgšanas / izslēgšanas slēdzis
- 37 Spiediena mēritājs
- 38 Līmeņa indikators
- 39 Regulēšanas svira
- 40 Izlīdzināšanas skrūves
- 41 Cauruma centra indikators
- 42 Novietojuma austiņas
- 43 Dziļuma mēritājs
- 44 Bloķēšanas mehānisms
- 45 Montā as tapas
- 46 Kēdes spriegotājiērice

DD 130 detaļās (1. attēls) 1

Urbjašīna

- 1 Ūdens šarnīrsavienojums / putekļu uztveršanas galviņa
- 2 Ūdens plūsmas indikators
- 3 Līmeņa indikators
- 4 Skrūvgriezis (sānu rokturim)
- 5 Sānu rokturis
- 6 Ūdens plūsmas regulators
- 7 Ūdens šļūtenes savienotājs
- 8 Zobrata pārnēsma selektors
- 9 Sazobes daļa
- 10 Motors
- 11 Ieslēgšanas / izslēgšanas slēdzis
- 12 Rokturis
- 13 Pārslodzes indikators
- 14 Elektrības padeves vads ar PRCD
- 15 Pases datu plāksnīte
- 16 Saskaipunkta plāksne
- 17 Skrūvju tapas (ūdens šarnīrsavienojums / putekļu uztveršanas galviņa)
- 18 Pārsegs (ūdens šarnīrsavienojums / putekļu uztveršanas galviņa)
- 19 Putekļu uztveršanas savienotājs
- 20 Ūdens šarnīrsavienojuma aizslēgs
- 21 Bloķējošais gredzens (ūdens šarnīrsavienojums / putekļu uztveršanas galviņa)
- 22 Iespiedpatrona

Urbjašīnas statnis

- 23 Rokturis
- 24 Kēde
- 25 Kolonnas
- 26 Sešstūrainā uzgrieņu atslēga
- 27 Rāmis

Ūdens kolektors manuālai lietošanai

- 47 Nostiprināšanas kļokis
- 48 Saspiēdējskrūve
- 49 Dziļuma mēritājs
- 50 Ūdens kolektora cilindra
- 51 Centrējošais gredzens
- 52 Centrējošā gredzena adapters
- 53 Blīve
- 54 Montā as plāksne

Ūdens kolektors lietošanai kopā ar urbjašīnas statni

- 55 Turētājs
- 56 Ūdens kolektora cilindrs
- 57 Blīve

Saturs

	Lappuse
1. Vispārēja informācija	86
2. Apraksts	86
3. Instrumenti un piederumi	87
4. Tehniskie dati	87
5. Drošība	89
6. Pirms lietošanas	91
7. Eksploatācija	94
8. Apkope un tehniskā apkope	96
9. Darbības traucējumu novēršana	97
10. Atkritumu nodošana	98
11. Ražotāja garantija iekārtai	98
12. Paziņojums par instrumenta atbilstību noteiktajām normām (oriģināls)	98

1. Vispārēja informācija

1.1 Signālvārdi un to nozīme

-BRIESMAS-

Pievērš uzmanību draudošām briesmām, kas var izraisīt smagus miesas bojājumus vai nāvi.

-BRĪDINĀJUMS-

Pievērš uzmanību iespējami bīstamai situācijai, kas var izraisīt smagas traumas vai pat nāvi.

-UZMANĪBU-

Šo uzrakstu lieto, lai pievērstu uzmanību iespējami bīstamai situācijai, kas var izraisīt traumas vai materiālus zaudējumus.

-NORĀDĪJUMS-

Šo uzrakstu lieto lietošanas norādījumiem un citai noderīgai informācijai.

1.2 Piktogrammas

Brīdinājuma zīmes



Vispārējs brīdinājums



Brīdinājums: elektrība



Brīdinājums: karsta virsma

Obligāti ievērojamo norādījumu zīmes



Strādājiet acu aizsargos



Strādājiet aizsargķiverē



Strādājiet acu aizsargos



Strādājiet aizsargcimdos



Strādājiet aizsargzābakos

Simboli



Pirms lietošanas izlasiet instrukciju



Nododiet otrreizējai pārstrādei

A

Ampēri

V

Volti

W

Vati

Hz

Herci

/min

Apgriezienu skaits minūtē

rpm

Apgriezienu skaits minūtē

~

Maiņstrāva

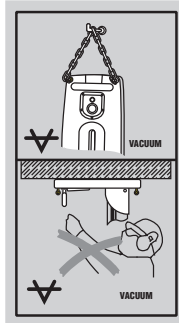
n_o

Nominālais apgriezienu skaits tukšgaitā

∅

Diаметrs

Uz urbjmašinas statņa:



Augšējais attēls
Ar vakuuma ierīci aprīkotu urbjmašīnu izmantojot horizontālai uršanai, ir jālieto urbjmašīnas statņa papildus nostiprināšanas līdzekļi.

Apakšējais attēls
Izmantojot virsgalvas uršanai, urbjmašīnas statni ir jānostiprina ar enkuru vai ātri atvienojama savienojuma palīdzību.

Uz instrumenta:



Strādājot virs galvas, uz griešiem, obligāti ir jālieto ūdens kolektors kopā ar mitrās tīršanas putekļsūcēju.

1 Šie numuri ir norādes uz attiecīgajiem attēliem. Attēli ir atrodami lietošanas pamācības vāka atvēruma lapās. Lietošanas pamācības lasīšanas laikā šīs lapas turiet atvērtas. Šajā lietošanas pamācībā DD 130 urbjmašīna tiek saukta par "instrumentu".

Identifikācijas datu izvietojums uz instrumenta

Instrumenta tipa apzīmējums un sērijas numurs ir izvietots uz instrumenta pases datu plāksnītes. Atzīmējiet šos datus ierīces lietošanas pamācībā un, grie oties ar pieprasījumu pie Hilti pārstāvja vai servisa departamentā, vienmēr atsaučieties uz šiem datiem.

Tips:

DD 130

Sērijas No.:

2. Apraksts

DD 130 ir elektriska dimanta urbjmašīna, kas paredzēta manuālai lietošanai vai uzstādīšanai uz urbjmašīnas statņa. Tā ir piemērota mitrai un sausai uršanai.

Lietošana paredzētajiem mērķiem

DD 130 ir paredzēts caurejošu caurumu un necaurejošu caurumu uršanai minerālajos būvmateriālos.

Pielietojuma veidi:

Ar / bez urbmašīnas statņa	Urbja vainaga diametrs	Urbšanas virziens
Manuāli / sausai urbšanai	Ar putekļu atsūkšanu,	12–162 mm dia. Visos virzienos
Manuāli / mitrai urbšanai	Bez ūdens savākšanas sistēmas,	12– 62 mm dia. Ne virzienā uz augšu
Manuāli / mitrai urbšanai	Ar ūdens savākšanas sistēmu,	12– 62 mm dia. Visos virzienos
Ar urbmašīnas statni / mitrai urbšanai	Bez ūdens savākšanas sistēmas,	12–152 mm dia. Ne virzienā uz augšu
Ar urbmašīnas statni / mitrai urbšanai	Ar ūdens savākšanas sistēmu,	12–132 mm dia. Visos virzienos

Urbjot virzienā uz augšu, ūdens savākšanas sistēmai ir jāpievieno mitrās tīrīšanas putekļsūcējs.

- Horizontāla urbšana, izmantojot vakuuma ierīci, ir pieļaujama, tikai ja tiek izmantoti urbmašīnas statņa papildus nostiprināšanas līdzekļi. Virsgalvas urbšanai urbmašīnas statni var izmantot tikai tad, ja tas ir nostiprināts ar enkuru vai ātri atvienojama savienojuma palīdzību.
- Azbestu saturošu materiālu urbšana nav pieļaujama.
- Izmaiņu veikšana vai instrumenta pārveidošana nav pieļaujama.
- Lai izvairītos no traumas gūšanas riska, izmantojiet tikai oriģinālos Hilti piederumus un papildus aprīkojumu.
- Ievērojot lietošanas pamācībā sniegto informāciju attiecībā uz instrumenta ekspluatāciju, apkopi un tehnisko apkopi.
- Instruments ir paredzēts profesionālai lietošanai.
- Instrumentu drīkst lietot, apkopt un remontēt tikai autorizēti, apmācīti darbinieki. Šiem darbiniekiem ir jābūt informētiem par jebkādiem īpašiem riska faktoriem, ar kuriem viņi var nonākt saskarē.

- Instruments un tā palīgierīces var būt bīstamas, ja tās tiek nepareizi lietotas, ja tās lieto darbam ar instrumentu neapmācīti darbinieki vai ja instruments un palīgierīces netiek lietotas norādītajā veidā.
- **Iekārtas barošanai jāizmanto tikai tīkla pieslēguma kabelis ar zemējuma vadu un pietiekamu šķērsgrīzumu.**

Piegādātie priekšmeti

- Iekārta
- Sānu rokturis
- Hilti koferis vai kartona iepakojums
- Lietošanas instrukcija
- Drāna tīrīšanai
- Fiksācijas atslēga SW 19
- Eļļas tūba
- Aizsargbrilles

3. Piederumi

Apzīmējums	Izstrādājuma No.
Vakuuma sūknis	47034
Ātri atvienojams savienojums	9870
Ūdens kolektora sistēma manuālai lietošanai	370462
Ūdens kolektora sistēma lietošanai kopā ar urbmašīnas statni	370460
Urbmašīnas statīvs	370461
Ripas konstrukcija	232228
DD-CS M12S-SM stipināšanas skrūve	251830
DD-CN SML stipināšanas uzgrieznis	251834

4. Tehniskie dati

Nominālais spriegums: *	110 V	120 V	220 V	230 V	240 V
Nominālā jauda:	1700 W	1800 W	1900 W	1900 W	1900 W
Nominālais strāvas stiprums: *	16 A	15 A	9,1 A	8,7 A	8,3 A
Frekvence:	50/60 Hz	50/60 Hz	50/60 Hz	50/60 Hz	50/60 Hz

Nominālais ātrums, instrumentam darbojoties tukšgaitā:	1" zobrata pārnesums 2" zobrata pārnesums 3" zobrata pārnesums	780 /min 1400 /min 2600 /min (Mainiet zobrata pārnesumu tikai pēc rotācijas beigām)
Maksimālais pieļaujamais ūdens padeves spiediens:		6 bāri (Augstāka ūdens spiediena gadījumā, pie savienojuma ar būvlaukumu ir jāuzstāda spiediena samazināšanas vārsts.)
Izmēri (garums × platums × augstums):		515×114×170 mm
Svars saskaņā ar EPTA procedūru 01/2003: Urbja statīva svars		7.3 kg 13,1 kg
Radio un TV signālu radīto traucējumu slāpēšana:		Saskaņā ar EN 55014-1 standartu.
Noturība pret traucējumiem:		Saskaņā ar EN 55014-2 standartu.
Aizsardzības klase, saskaņā ar EN 60745 un IEC 60745:		Aizsardzības klase I (ieņemts)
Urbšanas dziļums:		maks. 430 mm (730 mm, ar izvīrzījumu)

-NORĀDĪJUMS-

Šajos norādījumos minētais svārstību līmenis ir mērīts ar EN 60745 noteiktajām mērījumu metodēm un ir izmantojams da ādu elektroiekārtu salīdzināšanai. To var izmantot arī svārstību radītās slodzes pagaidu novērtējumam. Norādītais svārstību līmenis attiecas uz elektroiekārtas galvenajiem izmantošanas veidiem. Taču, ja elektroiekārta tiek izmantota citos nolūkos, ar citiem maināmajiem instrumentiem vai netiek nodrošināta pietiekama tās apkope, svārstību līmenis var atšķirties. Tas var ievērojami palielināt svārstību radīto slodzi visā darba laikā. Lai precīzi novērtētu svārstību radīto slodzi, jāņem vērā arī laiks, cik ilgi iekārta ir izslēgta vai ir ieslēgta, taču faktiski netiek darbināta. Tas var ievērojami samazināt svārstību radīto slodzi visā darba laikā. Jāparedz papildu drošības pasākumi, lai aizsargātu lietotāju pret svārstību iedarbību, piemēram: elektroiekārtas un maināmo instrumentu apkope, roku turēšana siltumā, darba procesu organizācija.

Informācija par skaņu un vibrāciju (mērījumi veikti saskaņā ar EN 60745):

Tipiskais, A-izmērīts skaņas stipruma līmenis (L_{WA}):	100 dB (A)
Tipiskais, A-izmērīts emisijas skaņas spiediena līmenis (L_{pA}):	89 dB (A)
Pieļaujamā kļūda minētajam trokšņa līmenim atbilstoši EN 60745 ir 3 dB.	

Strādājiet ausu aizsargos!

Triaksiālie vibrācijas parametri (mērījumi veikti pie rokturiem saskaņā ar 60745-2-1 un pie krustveida roktura saskaņā ar EN 61029)

Triaksiālās vibrācijas vērtības (vibrācijas vektoru summa) EN 60745-2-1 (turot ar roku)

	Urbšana betonā (ar ūdens pievadi)	Urbšana kaļķa smilšakmenī (HDMU, sausā veidā)	Urbšana kaļķa smilšakmenī (PCM, sausā veidā)
Vibrācija $a_{h,DD}$	5 m/s²	6 m/s²	11 m/s²
iespējamā kļūda K	1,5 m/s ²	1,5 m/s ²	2,5 m/s ²

Triaksiālās vibrācijas vērtības (vibrācijas vektoru summa) EN 61029, DD 130-Rig (balstot uz statīva)

	Urbšana betonā (ar ūdens pievadi)	Urbšana kaļķa smilšakmenī (HDMU, sausā veidā)	Urbšana kaļķa smilšakmenī (PCM, sausā veidā)
Vibrācija $a_{h,DD}$	3,5 m/s²	–	–
iespējamā kļūda K	1,5 m/s ²	–	–

Informācija lietotājam, saskaņā ar EN 61000-3-11:

Instrumenta ieslēgšana var izraisīt īsu sprieguma pazemināšanos. Pie nelabvēlīgiem elektrības padeves apstākļiem tas var izraisīt citu ierīču darbības traucējumus. Traucējumi nav gaidāmi, ja elektrības padeves pilna pretestība ir < 0.15 omi.

* Ir pieejami da ādi šī instrumenta veidi, piemēroti da ādiem spriegumiem. Lai iegūtu informāciju par lietojamajam instrumentam piemēroto nominālo spriegumu un nominālo strāvas stiprumu, lūdzu skatīties instrumenta pases datu plāksnīti.

Tiek paturētas tiesības veikt tehniskas izmaiņas.

nots no elektro-instrumenta, nepieļaujiet, lai tā kontakti saskartos ar saspraudēm, monētām, atslēgām, naglām, skrūvēm vai citiem nelieliem metāla priekšmetiem, kas varētu izraisīt isslēgumu.

- e) **Nepareizi lietojot akumulatoru, no tā var izplūst šķidrās elektrolīts. Nepieļaujiet, ka elektrolīts nonāktu saskarē ar ādu. Ja tas tomēr nejauši ir noticis, noskalojiet elektrolītu ar ūdeni. Ja elektrolīts nonāk acīs, nekavējoties griezieties pie ārsta. No akumulatora izplūdušais elektrolīts var izsaukt ādas iekaisumu vai pat apdegumu.**
- f) **Savlaicīgi notīriet un uzasiniet griezošos darbinstrumentus. Rūpīgi kopīti instrumenti, kas apgādāti ar asiem griezējinstrumentiem, ļauj strādāt daudz ražīgāk un ir vieglāk vadāmi.**
- g) **Lietojiet vienīgi tādus elektroinstrumentus, papildpiederumus, darbinstrumentus utt., kas paredzēti attiecīgajam pielietojuma veidam un/vai ir piemēroti attiecīgajam instrumentam. Bez tam jāņem vērā arī konkrētie darba apstākļi un pielietojuma īpatnības. Elektroinstrumentu lietošana citiem mērķiem, nekā to ir paredzējusi ražotājfirma, ir bīstama un var novest pie neparedzamām sekām.**

5.1.5 Apkalpošana

- a) **Nodrošiniet, lai instrumenta remontu veiktu kvalificēts personāls, nomaīņai izmantojot oriģinālās rezerves daļas un piederumus. Tikai tā iespējams panākt instrumenta ilgstošu un nevainojamu darbību bez atteikumiem.**

5.2 Produkta specifikai atbilstošie drošības norādījumi

5.2.1 Personiskā drošība

- a) **Valkājiet austiņas. Iekārtas radītais troksnis var radīt neatgriezeniskus dzirdes bojājumus.**
- b) **Lietojiet kopā ar iekārtu piegādātos papildu rokturus. Ja tiek zaudēta kontrole pār iekārtu, sekas var būt nopietnas traumas.**
- c) **Instrumentu drīkst darbināt, tikai turot abās rokās vai piestiprinot to pie urbjmašīnas statņa. Novietojiet sānu rokturi vēlamajā pozīcijā un pārliecinieties, ka tas ir pareizi uzstādīts un atbilstoši nofiksēts. Instrumentu vienmēr turiet abās rokās aiz tam paredzētajiem rokturiem.**
- d) **Lietojot instrumentu bez putekļu nosūkšanas mehānisma, strādājot agresīvā vidē, lietojiet elpošanas ceļu aizsargmasku.**
- e) **Lai darba procesā izvairītos no kritieniem, raugieties, lai barošanas un pagarinātājkaбели, kā arī nosūkšanas šļūtene vienmēr atrastos instrumenta aizmugurē.**
- f) **Uzmanieties, lai nepakļuptu uz elektrības padeves vada, elektriskā pagarinātāja un putekļu uztveršanas šļūtenes.**
- g) **Izvairieties no ādas saskares ar urbšanas laikā radušos šķidrumu.**
- h) **Nodrošiniet, lai būtu pienācīgi nostiprināts pozīcijā ūdens šarnirsavienojums / putekļu uztveršanas**

galviņa (sānu roktura balsts) un lai būtu pievilks bloķējošais gredzens (skatiet 6.1.3 nodaļu).

- i) **Nodrošiniet, lai instruments, kad tas ir uzstādīts uz urbjmašīnas statņa, būtu droši piestiprināts (skat. 6.9 nodaļu).**
- j) **Neaizskariet rotējošās detaļas.**
- k) **Iekārta nav paredzēta, lai to lietotu bērni vai nevarīgi cilvēki.**
- l) **Bērniem stingri jāpaskaidro, ka ar iekārtu nedrīkst rotaļāties.**
- m) **Putekļi, ko rada tādi materiāli kā, piemēram, svīnu saturoša krāsa, da i koksnes veidi, minerāli un metāls, var būt kaitīgi veselībai. Saskare ar šiem putekļiem vai to ieelpošana var izraisīt lietotāja vai citu tuvumā esošo personu alerģiskas reakcijas un/vai elpceļu saslimšanas. Noteikti putekļu veidi, piemēram, ozola un skābar a koksnes putekļi, tiek uzskatīti par kancerogēniem - sevišķi kopā ar kokapstrādē izmantotajām vielām (hromātiem, koksnes aizsarglīdzekļiem). Azbestu saturošus materiālus drīkst apstrādāt tikai kompetenti speciālisti. Ja iespējams, lietojiet putekļu nosūcēju. Lai sasniegtu augstu putekļu nosūkšanas efektivitāti, lietojiet piemērotu, Hilti ieteiktu mobilo putekļu nosūcēju, kas paredzēts koka un/vai minerālo materiālu nosūkšanai, strādājot ar šo elektroiekārtu. Nodrošiniet darba vietā labu ventilāciju. Ieteicams valkāt elpceļu aizsardzības masku ar filtra klasi P2. Ievērojiet Jūsu valstī spēkā esošos normatīvus, kas regulē attiecīgo materiālu apstrādi.**

5.2.2 Akumulatora elektroinstrumentu lietošana

- a) **Raugieties, lai izmantotajās ierīcēs būtu savienojamas ar instrumenta patronu un tajā droši nofiksētas.**
- b) **Ja tiek pārtraukta strāvas padeve: izslēdziet instrumentu. Izņemiet kontaktakdas no kontaktilgždas. Tādējādi tiks novērsta iekārtas nejauša ieslēgšana pēc sprieguma padeves atjaunošanas.**
- c) **Ievērojiet norādījumus attiecībā uz instrumenta apkopi un tehnisko apkopi, kā arī laicīgu urbjmašīnu nomaīņu.**
- d) **Ja pastāv risks, ka instruments var sabojāt neseģus elektriskos vadus vai iekārtas barošanas kabeli, iekārta jātur aiz izolētajiem rokturiem. Saskaroties ar sprieguma padevi pieslēgtiem vadiem, iekārtas neizolētās metāla daļas nonāk zem sprieguma un var izraisīt iekārtas lietotāja elektrošoku.**

5.2.3 Elektrodrošība

- a) **Pirms darba uzsākšanas pārbaudiet, vai apstrādes zonā neatrodas neseģtas elektroinstalācijas, gāzesvadi un ūdensvada caurules. Lietojiet šim nolūkam, piemēram, metāla detektoru. Iekārtas ārējās metāla daļas var vadīt novadīt uz iekārtu spriegumu, piemēram, no nejauši aizķerta elektriskā vada. Tas ir saistīts ar nopietnu elektrotraumu risku.**
- b) **Regulāri pārbaudiet instrumenta energoapgādes vadu un nepieciešamības gadījumā nodotiet to sertificētam speciālistam labošanai. Regulāri pār-**

baudiet pagarinātāju vadus un, ja tie ir bojāti, nomainiet tos. Nepieskarieties pagarinātājam vai energoapgādes vadam, ja tas darba laikā tiek bojāts. Atvienojiet instrumentu no elektroapgādes tīkla. Barošanas kabelu un pagarinātāju bojājumi var kļūt par cēloni elektrotraumām.

- c) Tādēļ ik pēc kāda laika, galvenokārt tad, ja bie i tiek apstrādāti vadītspējīgi materiāli, lieciet netiros instrumentus pārbaudīt "Hilti" apkalpošanas dienestā. Uz instrumenta ārējās virsmas esošie putekļi, kas galvenokārt ir uzkrājušies no vadītspējīgiem materiāliem, vai mitrums nelabvēlīgos apstākļos var izraisīt elektrisku triecienu.
- d) Iekārtu nekādā gadījumā nedrīkst darbināt bez komplektā iekļautā PRCD (versijai GB – bez transformatora). Pārbaudiet PRCD pirms katras lietošanas.
- e) Nodrošiniet, lai pirms PRCD (iezemējuma kļūdas pārtraucējs) instruments būtu izslēgts (noņemiet slēd a bloķētāju). Pārbaudiet PRCD pirms katras lietošanas reizes (skatiet 7.1 nodaļu).

5.2.4 Darba vieta

- a) Rūpējieties par labu apgaismojumu darbavietā.
- b) Nodrošiniet darba vietā labu ventilāciju. Nepietiekama ventilācija darba vietā var kļūt par cēloni putekļu izraisītiem veselības traucējumiem.

5.2.5 Personiskais aizsargaprīkojums

Instrumenta ekspluatācijas laikā tā lietotājam un citām instrumenta tuvumā esošām personām ir jālieto aizsargbrilles, aizsargķivere, ausu aizsargi, aizsargcimdi un jābūt tērptiem aizsargzābakos.



5.2.6 Aizsargaprīkojums

Nekad nelietojiet instrumentu bez lietojamā aizsargaprīkojuma:

- Nekad nedarbiniet instrumentu bez ūdens šarnirsavienojuma / putekļu uztveršanas galviņas.
- Instrumentu lietojot horizontālāi urbšanai, aprīkotu ar vakuuma ierīci, ir jāizmanto urbjmašīnas statņa papildus nostiprināšanas līdzekļi.
- Instrumentu lietojot virsgalvas konstrukciju urbšanai, urbjmašīnas statni ir jānostiprina ar enkuru vai ātri atvienojamu savienojumu.
- Veicot virsgalvas konstrukcijas mitro urbšanu, obligāti ir jālieto ūdens savākšanas sistēma kopā ar mitrās tīrīšanas putekļsūcēju.

6. Pirms lietošanas

Obligāti izlasiet un ievērojiet šajā lietošanas pamācībā ietvertos drošības norādījumus.

-UZMANĪBU-

Atvienojiet instrumentu no elektrības padeves.



Ja tiek izmantoti elektriskie pagarinātāji: Drīkst izmantot tikai paredzētajam lietošanas veidam apstiprināta tipa un atbilstoša šķēsgriezuma elektriskos pagarinātājus. Šī punkta neievērošanas rezultātā var pasliktināties instrumenta veiktspēja un elektriskais pagarinātājs var pārkarst.

Bojātus kabelus ir jānomaina. Ieteicamais elektriskā pagarinātāja šķēsgriezums un maksimālais garums ir sekojošs:

Tīkla spriegums	Vada šķēsgriezums			
	1,5 mm ²	2,0 mm ²	2,5 mm ²	3,5 mm ²
100 V		20 m		40 m
110 V	20 m		40 m	
220–230 V	50 m		80 m	

-UZMANĪBU-

- Instruments, dimanta urbja vainags un urbjmašīnas statnis ir smagi.
- Pastāv kermēņa daļu savainošanas risks.
- Strādājiet aizsargķiverē, aizsargcimdos un aizsargzābakos.

6.1 Sānu rokturis

6.1.1 Sānu roktura uzstādīšana

1. Ieskrūvējiet sānu rokturi instrumentā un pievelciet, lai tas būtu droši nostiprināts.

6.1.2 Sānu roktura uzstādīšana citā pozīcijā

1. Pārvietojiet skrūves tapu pozīcijā, kurā ir jāuzstāda sānu rokturis (piemēram, kreīļu lietošanai). Sānu roktura galā esošo turekli var atskrūvēt un izmantot kā skrūvgriezi.
2. Ieskrūvējiet sānu rokturi instrumentā vēlamajā pozīcijā un stingri pievelciet to.
3. Ielieciet skrūves tapu atklātajā, vītņotajā caurumā.

6.1.3 Putekļu uztveršanas galviņas / ūdens šarnirsavienojuma (un sānu roktura) regulēšana


1. Izspiediet ūdens šarnirsavienojuma aizslēgu starp bloķējošo gredzenu un ūdens šarnirsavienojumu / putekļu uztveršanas galviņu esošajā gropē.

2. Atlaidiet valņīgāk starp iespiedpatronu un sānu rokturi esošo bloķējošo gredzenu.
3. Novietojiet sānu rokturi vēlamajā pozīcijā (15° leņķa palielinājumi).
4. Stingri pievelciet bloķējošo gredzenu tiktāl, līdz nofiksējas zobs un ūdens šarnīrsavienojuma aizslēgs.

6.2 Dimanta urbja vainaga uzstādīšana

-UZMANĪBU-

Lietojiet tikai oriģinālos Hilti urbju vainagus un pieredumus!

-UZMANĪBU-	
	<ul style="list-style-type: none"> ■ Urbja vainags lietošanas vai asināšanas laikā var uzkarst. ■ Tas var apdedzināt rokas. ■ Griezošās malas (segmenti) var radīt traumu. ■ Veicot urbja vainaga nomaiņu, lietojiet aizsargcimdus.







1. Atveriet iespiedpatronu, pagrie ot to pretēji pulksteņrādītāja virzienam (skatoties no iespiedpatronas priekšpusēs).
2. Ielieciet iespiedpatronā dimanta urbja vainagu.
3. Iestumiet dimanta urbja vainagu iespiedpatronā un grieziet iespiedpatronu, līdz tā nofiksējas.
4. Aizveriet iespiedpatronu, pagrie ot to pulksteņrādītāja virzienā (skatoties no iespiedpatronas priekšpusēs).
5. Pārbaudiet, vai urbja vainags ir droši ievietots, satverot to un mēģinot izraut no iespiedpatronas.

6.3 Urbšanas ātruma izvēlēšanās (zobrata pārneseuma selektora pozīcijas 1-2-3)





-UZMANĪBU-

Nedarbiniet zobrata pārneseuma selektoru laikā, kad instruments darbojas. Gaidiet, līdz urbis ir beidzis griezties.

Manuālā lietošana:

	∅		
	mm	Inch	
 	40 - 62	1 5/8" - 2 1/2"	II
	12 - 37	1/2" - 1 1/2"	III
 	122 - 162	4 3/4" - 6 1/2"	I
	67 - 112	2 5/8" - 4 1/4"	II
	12 - 62	1/2" - 2 1/2"	III

Urbjmašīnas statņa lietošana:

	∅		
	mm	Inch	
 	57 - 152	2 1/4" - 6"	I
	28 - 52	1 1/8" - 2"	II
	12 - 25	1/2" - 1"	III

1. Izvēlieties zobrata pārneseumu, saskaņā ar tabulu, kas izvietota uz instrumenta.
2. Uzstādiēt zobrata pārneseuma selektoru vēlamajā pozīcijā, vienlaikus grie ot urbja vainagu.

6.4 Sausā urbšana

6.4.1 Putekļu uztveršanas sistēmas pievienošana

1. Atskrūvējiet ūdens šarnīrsavienojuma / putekļu uztveršanas galviņas pārsegu.
2. Ievietojiet putekļu uztveršanas savienojumā putekļu uztveršanas šļūteni.
3. Aizveriet uz sānu roktura esošo ūdens vārstu.

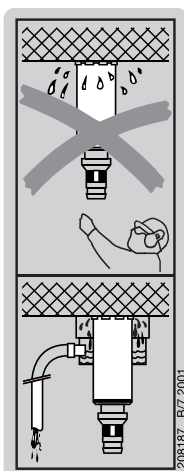
6.5 Manuālā mitrā urbšana

6.5.1 Ūdens padeves pievienošana

1. Aizveriet uz sānu roktura esošo ūdens vārstu.
2. Aizveriet uz putekļu uztveršanas savienojuma pārsegu.
3. Pievienojiet ūdens padeves šļūteni (izmantojot šļūtenes savienotāju).

6.6 Manuālā mitrā urbšana, izmantojot ūdens savākšanas sistēmu

6.6.1 Ūdens savākšanas sistēmas uzstādīšana



Izmantojot ūdens savākšanas sistēmu, no urbja vainaga var aizpludināt ūdeni, tādējādi izvairoties no apkārtējās zonas piesārņošanas. Vislabākos rezultātus var sasniegt, ūdens savākšanas sistēmu lietojot kopā ar mitrās tīršanas putekļsūcēju.

Veicot virsgalvas konstrukciju urbšanu, obligāti ir jālieto ūdens kolektors kopā ar mitrās tīršanas putekļsūcēju. Novietojiet sānu rokturi un ūdens šarnīrsavienojumu / putekļu uztveršanas galviņu tā, lai varētu netraucēti uzstādīt ūdens savākšanas sistēmu. Centrējošajā gredzena un blīves lielumam ir jābūt atbilstošam urbja vainaga diametram.

1. Uzlieciet, no instrumenta apakšas, ūdens savākšanas sistēmu uz divām montā as tapām.

2. Pagrieziet ūdens savākšanas sistēmu pret instrumenta priekšpusi.
3. Pagrie ot kloķi, nostipriniet ūdens savākšanas sistēmu.
4. Pievienojiet mitrās tīrīšanas putekļsūcēju ūdens savākšanas sistēmas priekšpusei. Ūdenim pārmaiņus var ļaut aizplūst caur savienotajam pievienoto šļūteni (šāds variants nav pieļaujams virsgalvas urbšanai).

6.6.2 Dziluma mērītāja regulēšana

1. Uzstādiet dziļuma mērītāju vēlamajā pozīcijā.
2. Dziluma mērītāja nostiprināšanai izmantojiet saspie-dējskrūvi.

6.7 Urbjmašīnas statņa lietošana

6.7.1 Urbja statņa nostiprināšana ar dobtapu

-BRĪDINĀJUMS-

Lietojiet tikai konkrētajai pamatvirsmai piemērotas dobtapas un ievērojiet dobtapu ražotāja norādījumus par montāžu.

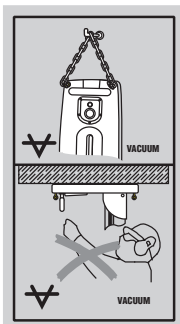
-NORĀDĪJUMS-

Hilti iespīljamās metāla dobtapas M12 parasti ir paredzētas dimanta vainagurbja aprīkojuma nostiprināšanai nesap-laisājušā betonā. Taču noteiktos apstākļos var būt nepie-ciešams alternatīvs stiprinājums. Ar jautājumiem par dro-šu nostiprināšanas veidu vērsieties pie Hilti tehniskā servi-sa darbiniekiem.

1. Nostipriniet 200 mm atstatumā (ideālā gadījumā) no urbu-ma centra attiecīgajai pamatvirsmai piemērotu dobtapu.
2. Ieskrūvējiet dobtapu ātrās montāžas skrūvi.
3. Uzlieciet urbja statņu uz ātrdarbības fiksācijas vārpstas un izlīdziniet tās novietojumu ar urbma centra rādītāja palīdzību.
4. Uz ātrdarbības fiksācijas vārpstas uzskrūvējiet uzgriez-ni, nepievelkot to.
5. Ar līmeņošanas skrūvēm nolīmeņojiet plāksni. Pārbaudiet, vai līmeņošanas skrūves cieši piekļaujas pamat-virsmai. Kā palīgīdzeklis iestāšanās kalpo līmeņrādis uz pamatnes plāksnes.
6. Nodrošiniet līmeņošanas skrūves ar kontruzgriezņiem.
7. Pievelciet uzgriezni ar dakšatslēgu.
8. Pārbaudiet, vai urba statvis ir droši nofiksēts.

6.7.2 Ar vakuuma spilvenu aprīkota urbjmašīnas statņa nostiprināšana

Vakuuma izplūdes vārsts ir iebūvēts atbalsta plāksnes rokturī.



Virsgalvas konstrukciju urbšana, urbjmašīnas statnim esot pietiprinātām tikai ar vakuuma palīdzību, nav pieļaujama.

1. Atskrūvējiet četras izlīdzināšanas skrūves tiktāl, lai tās būtu izvirzītas no atbalsta plāksnes apakšas par apmēram 5 mm.
2. Pievienojiet vienu šļūtenes galu uz atbalsta plāksnes esošajam vakuuma savienojumam un otru šļūtenes galu – vakuuma sūkņim.
3. Ieslēdziet vakuuma sūkni un izvelciet uz āru cauruma centra indikatoru. Spie ot vakuuma izplūdes vārstu un vērojot cauruma centra indikatoru, novietojiet atbalsta plāksni vēlamajā pozīcijā. Kad atbalsta plāksne ir pareizi nopozicionēta, piespiediet to darba virsmai un noņemiet pirkstu no vakuuma izplūdes vārsta. Pirms urbšanas uzsākšanas un urbšanas laikā ir jānodrošina, lai manometra rādītājs visu laiku atrastos zaļajā zonā.
4. Pēc tam ar četru izlīdzināšanas skrūvju palīdzību ir jāizlīdzina atbalsta plāksne. Uz atbalsta plāksnes esošais līmeņrādis palīdz veikt atbalsta plāksnes izlīdzināšanu.
5. Lai novērstu turpmāku izlīdzināšanas skrūvju kustēša-nos, pievelciet kontruzgrieņus.
6. Veicot horizontālu urbšanu, urbjmašīnas statņa nosti-prināšanai ir jāizmanto papildus nostiprināšanas lid-zekļi (piemēram, pie enkura pietiprināta ķēde,...).
7. Pārlicinieties par to, vai urbja statvis ir kārtīgi nosti-prināts.

6.7.3 Urbjmašīnas statņa nostiprināšana ar ātri atvie-nojama savienojuma palīdzību (piemēram, starp grīdu un griestiem).

1. Izvelciet uz āru cauruma centra indikatoru un tad izmantojiet to kā palīgīdzekli urbjmašīnas statņa iecen-trēšanai urbjamā cauruma centra punktā.
2. Uzmanīgi novietojiet ātri atvienojamā savienojuma galu atbalsta plāksnes iekšējā ovālā (ne līmeņa indi-katora vai manometra līmenī).
3. Nostipriniet atbalsta plāksni, izdarot uz to spiedienu ar ātri atvienojamo savienojumu.
4. Pēc tam ar četru izlīdzināšanas skrūvju palīdzību ir jāiz-līdzina atbalsta plāksne. Uz atbalsta plāksnes esošais līmeņrādis palīdz veikt atbalsta plāksnes izlīdzinā-šanu.
5. Lai novērstu turpmāku izlīdzināšanas skrūvju kustēša-nos, pievelciet kontruzgrieņus.
6. Stingri pievelciet ātri atvienojamo savienojumu.
7. Pārlicinieties par to, vai urbja statvis ir kārtīgi nosti-prināts.

6.8 Ūdens savākšanas sistēma lietošanai kopā ar urb-jmašīnas statni

Izmantojot ūdens savākšanas sistēmu, no urbja vaina-ga var aizpludināt ūdeni, tādējādi izvairoties no apkār-tējās zonas piesārņošanas. Vislabākos rezultātus var sasniegt, ūdens savākšanas sistēmu lietojot kopā ar mit-rās tīrīšanas putekļsūcēju.

Veicot virsgalvas konstrukciju urbšanu, obligāti ir jālieto ūdens kolektors kopā ar mitrās tīrīšanas putekļsūcēju. Urb-jmašīnas statni ir jāuzstāda 90° leņķī pret darba virsmu. Ūdens kolektora uzmavas un blīves lielumam ir jābūt atbilstošam izmantotā urbja vainaga diametram.

1. Palaidiet vaļīgāk kolonnu regulēšanas sviras tiktāl, līdz ir atbrīvojušās novietojuma austiņas.
2. Nolaaidiet uz leju rāmi.
3. Uzstādiēt ūdens kolektora turētāju.
4. Novietojiet rāmi atpakaļ vertikālā stāvoklī.
5. Aizveriet regulēšanas sviras tiktāl, līdz ir pilnībā nofiksējušās novietojuma austiņas un ir atkal nostiprināts rāmis.
6. Paceliet turētāju un līdz atdurei iestumiet ūdens kolektora cilindru zem aiztura.
7. Pievienojiet mitrās tīrīšanas putekļsūcēju ūdens kolektora cilindram vai pievienojiet šļūtenei, pa kuru ūdens varēs aizplūst.

6.9 Instrumenta uzstādīšana uz urbjmašīnas statņa -UZMANĪBU-

Uz urbjmašīnas statņa esošajai izplūdes svirai ir jābūt atvērtā stāvoklī, un rāmi vajadzētu atrasties urbjmašīnas statņa augšpusē. Urbšanas progress mehānismam ir jābūt nobloķētam (jābūt nofiksētam ķēdes apturim).

1. Uzstādiēt instrumenta saskarpunkta plāksni uz divām montā as tapām, kas atrodas uz urbjmašīnas statņa.

(6.9.1)

2. Pagrieziet instrumentu pret urbjmašīnas statni. Instruments nofiksējas ar saklausāmu klikšķi. **(6.9.2)**
3. Lai pārliecinātos, ka instruments ir nofiksējies un pietiprināts pie statņa droši, pārbaudiet atbloķēšanas sviras stāvokli. **(6.9.3)**
4. Ielieciet slēd a aizturi roktura atverē. Slēd a aizturis tiek izmantots, lai ilgstošas instrumenta ekspluatācijas laikā noturētu slēdzi "IESLĒGTS" ("ON") pozīcijā.
5. Aizveriet sānu rokturī esošo ūdens vārstu.
6. Pieslēdziet ūdens padevi.

6.10 Rokriteņa uzstādīšana

1. Uzstādiēt rokriteņi uz ass.
2. Nostipriniet rokriteņi, pievelkot skrūves kloķi.

Rokriteņi var uzstādīt otrā urbjmašīnas pusē.

6.11 Urbjmašīnas statņa urbšanas leņķa regulēšana (7.5° leņķa palielinājums, noregulējams uz maks. 45°)

1. Palaidiet vaļīgāk kolonnu regulējošās sviras tiktāl, līdz ir atbrīvojušās novietojuma austiņas.
2. Uzstādiēt kolonnas vēlamajā stāvoklī.
3. Nofiksējiet novietojuma austiņas.
4. Aizveriet regulēšanas sviras tiktāl, līdz ir pilnībā nofiksējušās novietojuma austiņas un ir atkal nostiprināts rāmis.
5. Iespiediet un pagrieziet regulēšanas sviras, lai atgrieztu tās vertikālā stāvoklī.

6.12 Instrumenta noņemšana no urbjmašīnas statņa -UZMANĪBU-

Instrumentam ir jābūt atslēgtam no elektrības padeves. Urbšanas progress mehānismam ir jābūt nobloķētam (jābūt nofiksētam ķēdes apturim).

1. Aizveriet sānu rokturī esošo ūdens vārstu.
2. Atslēdziet ūdens padevi.
3. Noņemiet no roktura slēd a aizturi.
4. Turiet vienu roku uz instrumenta roktura un atvienojiet uz urbjmašīnas statņa esošo sviru.
5. Pagrieziet instrumentu virzienā prom no urbjmašīnas statņa.

7. Eksploatacija

7.1 Pieslēdziet instrumentu elektrības padevei

Uz instrumenta pases datu plāksnītes norādītajam spriegumam ir jāatbilst elektrības padeves spriegumam.



1. Pārbaudiet, vai instruments ir izslēgts, respektīvi, noņemiet slēd a bloķētāju.
2. Iespraudiet ligzdā elektrības padeves vada kontaktdakšu.
3. Piespiediet PRCD iezemējuma kļūdas pārtraucēja "IESLĒGŠANAS" ("ON") slēdzi (ir jādeg lampiņai).
4. Piespiediet PRCD iezemējuma kļūdas pārtraucēja "TESTĒŠANAS" ("TEST") slēdzi (lampiņai nav jādeg).

-BRIESMAS-

Ja norāde nepazūd, iekārtu nedrīkst turpināt lietot. Lieciet iekārtu salabot kvalificētiem speciālistiem, izmantojot oriģinālās rezerves daļas.

5. Piespiediet PRCD iezemējuma kļūdas pārtraucēja "IESLĒGŠANAS" ("ON") slēdzi (ir jādeg lampiņai).

-UZMANĪBU-	
	<ul style="list-style-type: none"> ■ Instruments un urbšanas operācija rada troksni. ■ Pārmērīgs troksnis var sabojāt dzirdi. ■ Strādājiet ausu aizsargos.

-UZMANĪBU-	
	<ul style="list-style-type: none"> ■ Urbšanas laikā pa gaisu var aizlidot bīstamas drumslas. ■ Lidojošās drumslas var izraisīt acu traumu vai traumēt citas ķermeņa daļas. ■ Strādājiet acu aizsargā un aizsargķiverē.
	

7.2 Sausā urbšana

7.2.1 Cauruma urbšanas uzsākšanas palīgierīce

Katram dimanta urbja vainaga diametram ir nepieciešama atšķirīga cauruma urbšanas uzsākšanas palīgierīce.

1. Iestipriniet cauruma urbšanas uzsākšanas palīgierīci dimanta urbja vainaga priekšējā galā.

7.2.2 Putekļsūcējs ar elektrisko instrumentu ligzdu

Putekļsūcējs sāk darboties automātiski, pēc elektriskā instrumenta ieslēgšanas. Elektriskā instrumenta ieslēgšanas rezultātā pēc īsa brīa izslēdzas arī putekļsūcējs.

Ieslēgšana

1. Piespiediet instrumenta ieslēgšanas / izslēgšanas slēdzi.
2. Ar instrumentam pievienotu cauruma urbšanas uzsākšanas palīgierīci sāciet uršanu un turpiniet urbt, līdz izvirzītie segmenti pamatmateriālā ir izveidojuši iegriezumu.

3. Izslēdziet instrumentu.
4. Noņemiet cauruma urbšanas uzsākšanas palīgierīci un turpiniet urbšanu.

Izslēgšana

1. Izslēdziet instrumentu.
2. Ja nepieciešams, izņemiet urbi.

7.2.3 Putekļsūcējs bez elektrisko instrumentu ligzdas

Ieslēgšana

1. Izslēdziet putekļsūcēju.
2. Piespiediet instrumenta ieslēgšanas / izslēgšana slēdzi.

Izslēgšana

1. Izslēdziet instrumentu.
2. Ļaujiet putekļsūcējam īsu brīdi darboties, lai pirms izslēgšanas uzsūktu atlikušos putekļus.

7.3 Manuālā mitrā urbšana

Ieslēgšana

1. Atveriet uz sānu roktura esošo ūdens vārstu tīktāl, līdz sasniegta vēlamā tilpuma ūdens plūsma. ūdens plūsmas tilpumu var noteikt, vadoties pēc indikatora, kas atrodas uz turekļa.
2. Piespiediet ieslēgšanas / izslēgšanas slēdzi.
3. Sākot urbt, turiet instrumentu mazliet ieslīpi attiecībā pret darba virsmu. Tas atvieglo cauruma urbšanas uzsākšanu.
4. Tiklīdz ir sācis veidoties caurums, novietojiet instrumentu 90° lenķī un turpiniet urbšanu.

Izslēgšana

1. Izslēdziet instrumentu.
2. Aizveriet uz sānu roktura esošo ūdens vārstu.

7.4 Manuālā mitrā urbšana, izmantojot ūdens savākšanas sistēmu

Ūdens savākšanas sistēmas priekšpusē esošās atzīmes ir precīzs pozicionēšanas palīglīdzeklis.

Ieslēgšana

1. Izslēdziet ūdens uztveršanas sistēmu (ja tā tiek lietota).
2. Lēnām atveriet uz sānu roktura esošo ūdens vārstu tīktāl, līdz sasniegta vēlamā tilpuma ūdens plūsma. Ūdens caurplūduma pārbaudei izmantojiet uz sānu roktura esošo indikatoru.
3. Piespiediet instrumenta ieslēgšanas / izslēgšana slēdzi.
4. Sākot urbt, turiet instrumentu mazliet ieslīpi attiecībā pret darba virsmu. Tas atvieglo cauruma urbšanas uzsākšanu.
5. Tiklīdz ir sācis veidoties caurums, novietojiet instrumentu 90° lenķī un turpiniet urbšanu.

Izslēgšana

1. Izslēdziet instrumentu.

-BRĪDINĀJUMS-

Urbjot virs galvas, nedrīkst pielaut urbja vainagā palikušā ūdens iztecēšanu uz instrumenta.

2. Aizveriet uz sānu roktura esošo ūdens vārstu.
3. Izslēdziet putekļsūcēju (ja tas tiek lietots).
4. Ja nepieciešams, izņemiet urbi.

7.5 Manuālā mitrā urbšana, izmantojot urbja mašīnas statni

Ieslēgšana

1. Izslēdziet (mitrās tīrīšanas) putekļsūcēju (ja tas tiek lietots).
2. Lēnām atveriet uz sānu roktura esošo ūdens vārstu tīktāl, līdz sasniegta vēlamā tilpuma ūdens plūsma. Ūdens caurplūduma pārbaudei var izmantot uz sānu roktura esošo indikatoru.
3. Instrumentu darbinot ilgstošas ekspluatācijas reīmā, izmantojiet slēd a spēka pievadu.
4. Atvienojiet ķēdes apturi.
5. Pagrie ot rokriteni, novietojiet urbja vainagu tā, lai tas būtu saskarē ar darba virsmu.
6. Uzsākot urbšanu, izdariet uz urbja vainagu nelielu spiedienu un, kad urbja vainags ir iecentrējies, spiedienu palieliniet.
7. Urbšanas laikā vērojiet pārslodzes indikatoru. Ja pārslodzes indikatora lampiņa iedegas, uz urbja vainagu izdarītais spiediens ir jāsamazina.

Izslēgšana

1. Aizveriet pie sānu roktura esošo ūdens regulēšanas vārstu.
2. Izraujiet no cauruma urbja vainagu.
3. Nofiksējiet ķēdes apturi.
4. Izslēdziet instrumentu.
5. Izslēdziet putekļsūcēju (ja tas tiek lietots).
6. Ja nepieciešams, izņemiet urbi.
7. Izslēdziet instrumentu.

-BRĪDINĀJUMS-

Urbjot virs galvas, nedrīkst pielaut urbja vainagā palikušā ūdens iztecēšanu uz instrumenta.

8. Nodrošiniet urbja mašīnas statņa stabilitāti, nolai ot instrumentu un urbja vainagu uz atbalsta plāksnes.

7.6 Darbības, kas jāveic vainagurbja iestrēgšanas gadījumā

Vainagurbja iestrēgšanas gadījumā tiek aktivēts slidošais sajūgs, kas darbojas līdz iekārtas izslēgšanai. Lai atbrīvotu vainagurbi, jāveic šādas darbības:

Vainagurbja atbrīvošana ar dakšatslēgu

1. Atvienojiet kontaktdakšu no rozetes.
2. Ar piemērota izmēra dakšatslēgu satveriet vainagurbi tā nofiksējamā gala tuvumā un pagrieziet, lai atbrīvotu to.
3. Pievienojiet iekārtas kontaktdakšu rozetei.
4. Turpiniet urbšanas procesu.

Vainagurbja atbrīvošana ar krustveida rokratu (tikai izmantojot statni)

1. Atvienojiet kontaktdakšu no rozetes.
2. Ar grozāmā krustveida rokrata palīdzību atbrīvojiet vainagurbi no urbma vietas.
3. Pievienojiet iekārtas kontaktdakšu rozetei.
4. Turpiniet urbšanas procesu.

7.7 Transportēšana un uzglabāšana:

-NORĀDĪJUMS-

- Iekārtas transportēšanai vislabāk piemērots ir Hilti kofetris.
- Pirms iekārtas novietošanas uzglabāšanā atveriet ūdens padeves regulēšanas vārstu. Īpaši tad, ja uzglabāšanas vieta nav pasargāta no sala, jāpievērš uzmanība tam, lai iekārtā nepaliktu ūdens.

8. Apkope un tehniskā apkope

Izraujiet no ligzdas elektrības padeves vada kontaktakšus.

8.1 Urbja vainagu apkope

Noņemiet visus pie urbja vainagiem pielipušos netīrumus un aizsargājiet urbja vainagu virsmu pret koroziju, laiku pa laikam apstrādājot tos ar eļļā samitrinātu lupatiņu. Vienmēr uzturiet savienojuma galu tīrā un mazliet ieeļļotā stāvoklī.

8.2 Instrumenta apkope

Pārbaudiet, vai no ligzdas ir atvienota elektrības padeves vada kontaktakša.

-UZMANĪBU-

Nodrošiniet, lai iekārta un jo sevišķi tās satveršanas virsmas būtu sausas un tīras un uz tām nebūtu eļļa vai smērvielas. Nedrīkst izmantot silikonu saturošus kopšanas līdzekļus.

Iekārtas korpuss ir raots no triecienizturīgas plastmasas. Roktura daļas ir izgatavotas no elastomēru materiāla. Nekad nedarbiniet iekārta, ja ir nosprostotas tās-ventilācijas atveres! Uzmanīgi iztīriet atveres ar sausu birstīti. Nepieļaujiet svešķermeņu iekļūšanu iekārtas iekšienē. Iekārtas ārpusi regulāri notīriet ar viegli samitrinātu drāniņu. Iekārtas tīrīšanai nelietojiet aerosolus, tvaika tīrīšanas iekārtas vai ūdens strūklu! Tas var negatīvi ietekmēt elektrodrošību.

Regulāri, ar lupatiņu tīriet iespaidpatronu un ieskavojošos segmentus, un ieeļļojiet šīs detaļas, izmantojot Hilti eļļošanas aerosolu. Notīriet no iespaidpatronas visus netīrumus un drumsļas.

Laiku pa laikam noņemiet pie sānu roktura esošo ūdens iepļūdes filtru un izskalojiet filtra sietu zem tekoša ūdens, plūstoša pretēji parastajam ūdens plūsmas virzienam.

Ja ūdens plūsmas indikators ir kļuvis netīrs, izņemiet un notīriet detaļas. Skatāmstikla tīrīšanai neizmantojiet abrazīvus tīrīšanas līdzekļus vai asus priekšmetus. Tas var negatīvi ietekmēt ūdens plūsmas indikatora funkcionalitāti.

8.3 Instrumenta tehniskā apkope

Regulāri pārbaudiet visas instrumenta ārējās detaļas, vai tajās nav bojājumu, un nodrošiniet visu slēd un nevai-

nojamu darbību. Nelietojiet instrumentu, ja ir bojātas tā detaļas vai ja nevainojami nedarbojas tā vadības slēdī. Bojājumu gadījumā instrumentu remontējiet Hilti servisa centrā.

8.4 Urbjmašīnas statņa apkope

8.4.1 Ķēdes apkope

Pārbaudiet ķēdes virzošās detaļas, lai nodrošinātu, ka uz tām nav netīrumu un urbuma duļķa. Vienmēr ir jānodrošina ķēdes aizsardzība, pārklājot to ar plānu ziedes kārtiņu.

8.5 Urbjmašīnas statņa tehniskā apkope

8.5.1 Kustības regulēšana

Kustībai vienmēr ir jābūt vieglai, bez vibrācijas. Kustību var noregulēt ar skrūvju palīdzību (2 augšpusē un 2 apakšpusē).

8.5.1.1 Apgrūtināta kustība

1. Atskrūvējiet augšējo skrūvi.
2. Pielieciet augšējo skrūvi tik, cik nepieciešams.
3. Pielieciet apakšējo skrūvi tik, cik to ir iespējams izdarīt.

8.5.1.2 Pārāk viegla kustība

1. Atskrūvējiet augšējo skrūvi.
2. Pielieciet apakšējo skrūvi tik, cik to ir iespējams izdarīt.

8.5.2 Ķēdes nospriegojuma regulēšana

Kad rāmis ir beigu pozīcijā, ķēdei, pie horizontālas kustības, vajadzētu tikai nedaudz ieliekties. Ķēdes nospriegojumu var noregulēt ar skrūvju palīdzību (ķēdes simbols uz pārsega).

- Skrūves griešana pulkstenrādītāja virzienā palielina ķēdes nospriegojumu.
- Skrūves griešana pretēji pulkstenrādītāja virzienam samazina ķēdes nospriegojumu. Abām ķēdēm ir jābūt vienlīdz nospriegotām.

9. Darbības traucējumu novēršana

Kļūda / defekts	Iespējamais cēlonis	Risinājums
Instrumenti nesāk darboties.	Elektrības padeves kļūda.	Pieslēdziet līdzai citu elektroierīci un pārbaudiet, vai tā darbojas.
	Bojāts elektrības padeves vads vai līdzda.	Pārbaudiet vadu un, ja nepieciešams, lieciet to elektrīķim nomainīt.
	Bojāts slēdzis.	Pārbaudiet slēdzi un, ja nepieciešams, lieciet to elektrīķim nomainīt.
Motors darbojas, bet urbja vainags nerotē.	Bojāta sazobe.	Instrumentu ir jānodod remontam Hilti servisa centrā.
Samazinās urbšanas ātrums.	Pārāk augsts spiediens / ūdens caurplūdums.	Noregulējiet ūdens caurplūdumu (pie sānu roktura).
	Bojāts urbja vainags.	Pārbaudiet, vai nav bojāts urbja vainags un, ja nepieciešams, nomainiet to.
	Bojāta sazobe.	Instrumentu ir jānodod remontam Hilti servisa centrā.
	Nopulējušies urbja vainaga segmenti.	Atkārtoti uzasiniet urbja vainagu uz asināšanas plāksnes, turot to zem tekoša ūdens.
Motors pārtrauc darboties.	Instrumenti pārtrauc darboties.	Virziet instrumentu taisni.
	Instrumenti ir pārkaris. Aktivizēta aizsardzība pret motora termisko pārslodzi.	Samaziniet instrumenta slodzi un, vairākas reizes piespie ot slēdzi, ļaujiet instrumentam darboties ar pilnu ātrumu.
	Bojāta elektronika.	Instrumentu ir jānodod remontam Hilti servisa centrā.
	Bojāts dzesēšanas ventilators.	Instrumentu ir jānodod remontam Hilti servisa centrā.
Neplūst ūdens.	Blokēts filtrs vai ūdens plūsmas indikators.	Noņemiet filtru vai ūdens plūsmas indikatoru un izskalojiet to.
Pie zobpārvalda korpusa noplūst ūdens.	Bojāta vārpstas blīve / ūdens šarnīrsavienojums / putekļu uztveršanas galviņa.	Instrumentu ir jānodod remontam Hilti servisa centrā.
Urbja galu nevar ievietot iespiedpatronā.	Netīrs vai bojāts savienojuma gals vai iespiedpatrona.	Notīriet savienojuma galu un iespiedpatronu. Ja nepieciešams, nomainiet detaļas. Notīriet savienojuma galu un iespiedpatronu.
Pie iespiedpatronas noplūst ūdens.	Netīrs savienojuma gals vai iespiedpatrona.	Notīriet savienojuma galu un iespiedpatronu.
	Bojāta iespiedpatronas blīve.	Pārbaudiet blīvi un, ja nepieciešams, nomainiet to.
Pārmērīga urbšanas sistēmas vibrācija.	Pārmērīga vibrācija pie virzošajām detaļām.	Pārregulējiet virzošās detaļas.
	Nepietiekami nospriegota ķēde.	Nospriegojiet ķēdi.
	Valīgs ass mehānisms.	Pievelciet ass mehānisma regulēšanas sviru (6.11 nodaļa).

10. Atkritumu nodošana



"Hilti" instrumenti galvenokārt ir izgatavoti no otrreizēji pārstrādājamiem materiāliem. Veiksmīgas pārstrādes priekšnoteikums ir atbilstoša materiālu šķirošana. Daudzās valstīs "Hilti" ir izveidojis sistēmu, kas pieļauj veco instrumentu pieņemšanu pārstrādei. Sīkāku informāciju jautājiet "Hilti" klientu apkalpošanas servisā vai savam pārdevējam – konsultantam.

Urbšanas atkritumu utilizācija

Nemot vērā vides aizsardzības aspektus, ir problemātiski ļaut urbšanas procesā radušies duļķim tieši, bez piemērotas iepriekšējas apstrādes iekļūst ūdeņos vai kanalizācijas sistēmā. Griezieties pēc informācijas par piemērojamiem noteikumiem vietējās varas institūcijās.

Mēs iesakām šādu iepriekšēju apstrādi:

Savāciet urbšanas procesā radušos dubļus (piemēram, izmantojot mitrās tīrīšanas putekļsūcēju).

Ļaujiet urbšanas procesā radušies dubļiem nostāvēties un nododiet cieto materiālu celtniecības materiālu aizvākšanas vietā. (Flokulenta (pārslu veidotāja) pievienošana duļķim var paātrināt nosēšanās procesu).

Pirms ļaut iekļūst kanalizācijā no urbuma izdalīušajiem ūdeņiem (sārmais, pH vērtība < 7), tas ir jāneitralizē, pievienojot skābu neitralizējošu līdzekli vai lielu daudzumu ūdens.



Tikai ES valstīm

Neizmetiet elektroiekārtas sadzīves atkritumos!

Saskaņā ar Eiropas Direktīvu par lietotajām elektroiekārtām, elektronikas iekārtām un tās iekļaušanu valsts likumdošanā lietotās elektroiekārtas ir jāsavāc atsevišķi un jānogādā otrreizējai pārstrādei videi draudzīgā veidā.

11. Ražotāja garantija iekārtai

Hilti garantē, ka piegādātajai iekārtai nepiemīt ar materiālu un izgatavošanas procesu saistīti defekti. Šī garantija ir spēkā ar nosacījumu, ka iekārta tiek pareizi lietota, kopta un tīrīta saskaņā ar Hilti lietošanas instrukcijas noteikumiem un ka tiek ievērota tehniskā vienotība, respektīvi, kombinācijā ar iekārtu lietoti tikai oriģinālie Hilti patēriņa materiāli, piederumi un rezerves daļas.

Šī garantija ietver bojāto daļu bezmaksas remontu vai nomaiņu visā iekārtas kalpošanas laikā. Uz daļām, kas ir pakļautas dabīgam nodilumam, šī garantija neattiecas.

Tālākas pretenzijas netiek pieņemtas, ja vien tas nav pretrunā ar saistošiem nacionāliem normatīviem. Sevišķi, Hilti neuzņemas nekādu atbildību par tiešiem

vai netiešiem bojājumiem vai to sekām, zaudējumiem vai izmaksām, kas rodas saistībā ar iekārtas izmantošanu noteiktiem mērķiem vai šādas izmantošanas neiespējamību. Neatrunātas garantijas par iekārtas izmantošanu vai piemērotību noteiktiem mērķiem tiek izslēgtas.

Lai veiktu remontu vai daļu nomaiņu, iekārta vai bojātās daļas uzreiz pēc defekta konstatēšanas nekavējoties jānosūta Hilti tirdzniecības organizācijai.

Šī garantija aptver pilnīgi visas garantijas saistības, ko uzņemas Hilti, un aizstāj jebkādu agrākos vai paralēlos paskaidrojumus un mutiskas vai rakstiskas vienošanās saistībā ar garantiju.

12. Paziņojums par ierīces atbilstību noteiktajām normām (oriģināls)

Apzīmējums:	Dimanta urbjmašīna
Tipa apzīmējums:	DD 130
Izstrādes gads:	2001

Mēs, uzņemoties pilnu atbildību, paziņojam, ka šis produkts atbilst sekojošām direktīvām un standartiem: 2006/42/EK, 2004/108/EK, EN 61029-1, 2011/65/ES, EN ISO 12100.

**Hilti Corporation, Feldkircherstrasse 100,
FL-9494 Schaan**

Paolo Luccini
Head of BA Quality & Process Management
BA Electric Tools & Accessories
11/2009

Johannes W. Huber
Senior Vice President
BU Diamond
11/2009

Tehniskā dokumentācija:

Hilti Entwicklungsgesellschaft mbH
Zulassung Elektrowerkzeuge
HiltiStrasse 6
86916 Kaufering
Deutschland

ORIGINALI NAUDOJIMO INSTRUKCIJA

Deimantiniai tuščiaviduriai grąžtais gręžiantis perforatorius DD 130

Prieš pradėdant naudotis įrankiu pirmą kartą, labai svarbu perskaityti jo eksploataavimo instrukcijas.

Šias instrukcijas visada laikykite kartu su įrankiu.

Įrankį duodami naudotis kitiems asmenims, būtinai pridėkite ir instrukcijas.

Perforatoriaus DD 130 sudedamosios dalys **1**

Grąžtais gręžiantis perforatorius

- ① Išplovimo sukutis/siurbimo galvutė
- ② Vandens debito indikatorius
- ③ Lygmatas
- ④ Atsuktuvas (šoninė rankena)
- ⑤ Šoninė rankena
- ⑥ Vandens srauto reguliatorius
- ⑦ Vandens tiekimo žarnos jungtis
- ⑧ Pavaros perjungiklis
- ⑨ Reduktorius
- ⑩ Variklis
- ⑪ Maitinimo įjungimo/išjungimo jungiklio gaidukas
- ⑫ Rankena
- ⑬ Perkrovimo indikatorius
- ⑭ Maitinimo kabelis su automatinio atjungimo įtaisais PRCD.
- ⑮ Techninių duomenų lentelė
- ⑯ Sujungimo plokštelė
- ⑰ Įsakmieji kamščiai (išplovimo sukutis/siurbimo galvutė)
- ⑱ Dangtelis (išplovimo sukutis/siurbimo galvutė)
- ⑲ Dulkių siurbimo žarnos jungtis
- ⑳ Išplovimo sukučio stabdiklis
- ㉑ Fiksavimo žiedas (išplovimo sukutis/siurbimo galvutė)
- ㉒ Griebtuvas

Perforatoriaus stovas

- ㉓ Rankena
- ㉔ Grandinė
- ㉕ Kolonėlės
- ㉖ Galinis veržlių raktas
- ㉗ Pavažos

- ㉘ Atpalaidavimo svirtis
- ㉙ Techninių duomenų lentelė
- ㉚ Vakuumo vožtuvas
- ㉛ Vakuumo žarnos prijungimo atvamzdis
- ㉜ Vakuuminė pagalvė
- ㉝ Pagrindas
- ㉞ Grandinės stabdiklis
- ㉟ Rankinės pastūmos rankena
- ⓫ Įjungimo/išjungimo jungiklio gaiduko fiksatorius
- ⓬ Manometras
- ⓭ Gulsčiukas
- ⓮ Regulavimo svirtis
- ⓯ Nustatymo sraigčiai
- ⓰ Skylės centro indikatorius
- ⓱ Padėties fiksavimo dantukai
- ⓲ Gylmatis
- ⓳ Fiksavimo mechanizmas
- ⓴ Tvirtinimo pirštai
- ⓵ Grandinės įtempiklis

Vandens rinktuvas, naudojamas kai gręžiama perforatorių laikant rankose

- ④7 Tvirtinimo rankenėlė
- ④8 Prispaudimo sraigtas
- ④9 Gylmatis
- ⑤0 Vandens rinktuvo įvorė
- ⑤1 Centravimo žiedas
- ⑤2 Centravimo žiedo įtvaras
- ⑤3 Sandarinimo tarpiklis
- ⑤4 Montажinė plokštė

Vandens rinktuvas, naudojamas kai gręžiama perforatorių įtvirtinus stovė

- ⑤5 Laikiklis
- ⑤6 Vandens rinktuvo įvorė
- ⑤7 Sandarinimo tarpiklis

Turinys

	Psi.
1. Bendro pobūdžio informacija	100
2. Aprašymas	100
3. Komplektuojami gaminiai	101
4. Techniniai duomenys	101
5. Darbo saugos taisyklės	102
6. Prieš pradėdami naudotis įrankiu	105
7. Darbas	108
8. Priežiūra ir techninis aptarnavimas	110
9. Gedimų nustatymas ir šalinimas	111
10. Įrankio utilitacija	112
11. Gamintojo teikiama garantija	112
12. Atitikties deklaracija (originali)	112

1. Bendro pobūdžio informacija

1.1 Įspėjamieji žodžiai ir jų reikšmė

-PAVOJINGA-

Šis įspėjimas vartojamas norint atkreipti dėmesį į pavojingą situaciją, kai galite susižaloti ar net žūti.

-ĮSPĖJIMAS-

Šis žodis vartojamas, siekiant įspėti, kad nesilaikant instrukcijos reikalavimų kyla rimto sužeidimo ar mirties pavojus.

-ATSARGIAI-

Šis žodis vartojamas norint atkreipti dėmesį į pavojingą situaciją, kuri gali tapti lengvo žmogaus sužalojimo, prietaiso gedimo ar kito turto pažeidimo priežastimi.

-NURODYMAS-

Nurodymai dėl naudojimo ir kita naudinga informacija.

1.2 Piktogramos

Perspėjamieji ženklai



Bendro pobūdžio perspėjimas



Perspėjimas: elektra



Perspėjimas: įkaitęs paviršius

Įpareigojantieji ženklai



Užsidėkite apsauginius akinius



Būtina užsimauti apsauginį šalną



Užsidėkite ausis saugančias priemones



Užsimaukite apsauginės pirštines



Užsimaukite apsauginius batus

Simboliai



Prieš naudodamiesi prietaisu perskaitykite instrukciją



Grąžinkite atliekas perdirbimui

A

Amperai

V

Voltai

W

vatas

Hz

hercas

/min

Apsisukimai per minutę

rpm

Apsisukimai per minutę

~

Kintamoji srovė

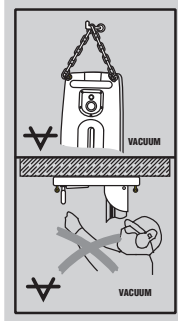
n₀

Nominalus tuščiosios eigos sukimosi greitis

∅

Skersmuo

Ant perforatoriaus stovo



Viršuje
Kai stovė įtvirtintu perforatoriumi gręžiama horizontaliai, o stovui tvirtinti naudojamas vakuuminis įrenginys, turi būti imamasi papildomų priemonių stovui tvirtinti.

Apačioje
Kai stovė įtvirtintu perforatoriumi gręžiamas virš galvos esantis objektas, stovas turi būti pritvirtintas inkarniu varžtu ar greitai atleidžiamu fikساتoriumi.

Ant perforatoriaus



Kai perforatoriumi gręžiamas virš galvos esančios lubos, būtina naudoti vandens surinkimo sistemą kartu su "šlapiam" tipo dulkių siurbliu.

1 Šiais numeriais duodamas nuorodos į atitinkamas iliustracijas. Šios iliustracijos pateiktos viršelio atlenkiamuose lapuose. Sudijudodami instrukcijas atsiverskite iliustracijas.

Šiose naudojimo instrukcijose grąžtais gręžiantis perforatorius DD 130 vadinamas "prietaisu".

Vieta, kur nurodyti įrankio paso duomenys

Įrankio tipas ir serijos numeris nurodyti pritvirtintoje lentelėje su techniniais duomenimis. Užsirašykite šiuos duomenis savo instrukcijose ir visuomet juos nurodykite, norėdami pasikonsultuoti su Hilti atstovu ar techninio aptarnavimo skyriumi.

Tipas: DD 130

Serijos numeris: _____

2. Aprašymas

DD 130 – tai elektra varomas deimantiniais tuščiaaviduriais grąžtais gręžiantis perforatorius, kuriuo galima dirbti laikant rankose arba įtvirtinus stovė. Jis tinka "šlapiam" arba "sausajam" gręžimui.

5.2 Naudokite įrankį pagal paskirtį

Perforatorius DD 130 skirtas kiaurosioms ir aklinosioms skylėms gręžti mineralinėse medžiagose.

Naudojimo sritys:

Naudojant stovą/nenaudojant	Tuščiaavidurio grąžto skersmuo	Gręžimo kryptis	
Gręžiama įrankį laikant rankose/“sausas” gręžimas	Naudojamas dulkių siurblys,	Ø 12–162 mm	Visos kryptys
Gręžiama įrankį laikant rankose/“šlapiasis” gręžimas	Vandens surinkimo sistema nenaudojama,	Ø 12–62 mm	Negręžiama aukštyn nukreiptu įrankiu
Gręžiama įrankį laikant rankose/“šlapiasis” gręžimas	Naudojama vandens surinkimo sistema	Ø 12–62 mm	Visos kryptys
Gręžiama įrankį įtvirtinus stovė/“šlapiasis” gręžimas	Vandens surinkimo sistema nenaudojama,	Ø 12–152 mm	Negręžiama aukštyn nukreiptu įrankiu
Gręžiama įrankį įtvirtinus stovė/“šlapiasis” gręžimas	Naudojama vandens surinkimo sistema	Ø 12–132 mm	Visos kryptys

Gręžiant aukštyn nukreiptu įrankiu, prie vandens surinkimo sistemos turi būti prijungtas “šlapijojo” tipo dulkių siurblys.

- Gręžti perforatoriumi horizontaliai, naudojant vakuuminį tvirtinimo įrenginį, leidžiama tik tuomet, kai perforatoriaus stovui tvirtinti panaudojamos papildomos priemonės. Stovė įtvirtintu perforatoriumi gręžti virš galvos esantį objektą leidžiama tik tuomet, kai stovas pritvirtinamas inkariniu varžtu ar greitai atleidžiamu fiksatoriumi.
- Neleidžiama gręžti medžiagų, kurių sudėtyje yra asbesto.
- Neleidžiama kaip nors keisti įrankį ar jį modifikuoti.
- Siekdami išvengti traumų, naudokite tik originalius Hilti firmos komplektuojamus gaminius ir pagalbinis įrenginius.
- Laikykitės nurodymų dėl darbo su įrankiu, jo priežiūros ir techninio aptarnavimo, kurie pateikti naudojimo instrukcijose.
- Šis įrankis skirtas profesionalams.
- Įrankiu leidžiama naudotis, jį techniškai aptarnauti ir remontuoti tik atitinkamą leidimą turintiems apmokytiems darbuotojams. Šie darbuotojai turi būti informuoti

apie visus galimus pavojus, su kuriais dirbant gali tekti susidurti.

- Šis įrankis ir jo pagalbiniai įrenginiai gali būti pavojingi, jeigu jais neteisingai naudosis neapmokyti darbuotojai arba naudosis ne tiems tikslams, kaip nurodyta.
- **Prietaisą galima jungti tik prie pakankamos galios elektros tinklo, turinčio žemimo laidą.**

Tiekiami gaminiai

- Prietaisas
- Šoninė rankena
- „Hilti“ lagaminas arba kartoninė pakuotė
- Naudojimo instrukcija
- Medžiagos skiautė valymui
- Užveržimo raktas SW 19
- Tepalo dozatorius
- Apsauginiai akiniai

3. Pagalbiniai įrenginiai

Pavadinimas	Gaminio Nr.
Dulkių siurblys	47034
Greitai atleidžiamas fiksatorius	9870
Vandens surinkimo sistema, naudojama, kai gręžiama perforatorių laikant rankose	370462
Vandens surinkimo sistema, naudojama, kai gręžiama perforatorių įtvirtinus stovė	370460
Perforatoriaus stovas	370461
Transportavimo mazgas	232228
Prispaudimo velenėlis DD-CS M12S-SM	251830
Prispaudimo veržlė DD-CN SML	251834

4. Techniniai duomenys

Vardinė įtampa: *	110 V	120 V	220 V	230 V	240 V
Vardinė galia:	1700 W	1800 W	1900 W	1900 W	1900 W
Vardinė srovė: *	16 A	15 A	9,1 A	8,7 A	8,3 A
Dažnis:	50/60 Hz	50/60 Hz	50/60 Hz	50/60 Hz	50/60 Hz

Vardinis tuščios eigos greitis 1 pavana	780 /min
2 pavana	1400 /min
3 pavana	2600 /min
	(pavarą perjunkite tik tuomet, kai variklio velenas nustoja sukstis).
Maksimalus leistinas tiekiamo vandens slėgis:	6 barai (jeigu vandens slėgis yra didesnis, pastato įvade turi būti įrengiamas redukcinis vožtuvas)
Matmenys (ilgis × plotis × aukštis):	515×114×170 mm
Svoris, nustatytas pagal EPTA-Procedure 01/2003:	7,3 kg
Gręžimo stovo svoris:	13,1 kg
Radio ir televizijos trukdžių slopinimas:	Kaip nurodyta EN 55014-1
Atsparumas trukdymams:	Kaip nurodyta EN 55014-2
Apsaugos klasė – kaip nurodyta EN 60745 ir IEC 60745:	I apsaugos klasė (įžemintas)
Gręžimo gylis:	Maks. 430 mm (730 mm naudojant ilgintuvą)

-NURODYMAS-

Šiuose nurodymuose pateiktas svyravimų lygis yra išmatuotas taikant standarto EN 60745 normuotą matavimo metodą ir gali būti naudojamas elektriniams įrankiams palyginti tarpusavyje. Jis taip pat tinka išankstiniams vibracinės apkrovos įvertinimui. Nurodytas svyravimų lygis yra susijęs su pagrindinėmis šio elektrinio įrankio naudojimo sąlygomis ir būdais. Jeigu elektrinis įrankis bus naudojamas kitaip, su skirtingais keičiamais įrankiais arba bus nepakankamai techniškai prižiūrėtas, jo svyravimų lygis gali skirtis nuo nurodytojo. Tai gali gerokai padidinti vibracinės apkrovos per visą darbo laikotarpį. Norint tiksliai nustatyti vibracinės apkrovos, reikėtų įvertinti ir laiką, kai prietaisai yra išjungtas, arba, nors ir įjungtas, tačiau faktiškai juo nedirbama. Toks įvertinimas gali gerokai sumažinti vibracinės apkrovos per visą darbo laikotarpį reikšmę. Įmkitės papildomų saugos priemonių, kad darbuotojas būtų apsaugotas nuo svyravimų/vibracijų poveikio, pavyzdžiui: reikalaukite tinkamos elektrinio įrankio ir keičiamųjų įrankių techninės priežiūros, pasirūpinkite, kad darbuotojų rankos visada būtų šiltos, užtikrinkite tinkamą darbo organizavimą.

Informacija, susijusi su triukšmu ir vibracija (išmatuotų vadovaujantis EN 60745):

Įprastinis triukšmo galios lygis pagal A-skalę (apkrovus) (L_{WA}):	100 dB (A)
Įprastinis sklaidžiamo triukšmo slėgio lygis pagal A-skalę (apkrovus) (L_{pA}):	89 dB (A)
Pagal EN 60745 nesaugi triukšmingumo vertė yra 3 dB.	

Užsidėkite ausų apsaugos priemones!

Vibracijų reikšmės trijose ašyse (išmatuotos pagal 60745-2-1 ant rankenų ir pagal EN 61029 ant sukimo rankenos)

Vibracijų reikšmės trijose ašyse (vibracijų vektorinė suma) EN 60745-2-1 (laikant ranka)

	Betono gręžimas (šlapias)	Silikatinių plytų gręžimas (HDMU, sausas)	Silikatinių plytų gręžimas (PCM, sausas)
Vibracijos a_{hDD}	5 m/s²	6 m/s²	11 m/s²
Paklaida K	1,5 m/s ²	1,5 m/s ²	2,5 m/s ²

Vibracijų reikšmės trijose ašyse (vibracijų vektorinė suma) EN 61029, DD 130-Rig (naudojant stovą)

	Betono gręžimas (šlapias)	Silikatinių plytų gręžimas (HDMU, sausas)	Silikatinių plytų gręžimas (PCM, sausas)
Vibracijos a_{hDD}	3,5 m/s²	–	–
Paklaida K	1,5 m/s ²	–	–

Vartotojui skirta informacija sutinkamai su EN 61000-3-11:

Įjungus įrankį trumpam gali sumažėti įtampa. Susidarius nepalankioms sąlygoms maitinimo tinkle, tai gali sukelti trukdymus kitiems elektros prietaisams. Trukdžių nebūna, kuomet tinklo impedansas < 0,15 omo.

* Gaminiai skirtingoms vardinėms įtampoms pritaikyti įrankių variantai. Informacija apie vardinę įtampą ir vardinę srovę pateikta konkretaus įrankio techninių duomenų lentelėje.

Pasilieikama teisė daryti techninius pakeitimus.

5. Darbo saugos taisyklės

5.1 Bendrosios darbo saugos nuorodos

-JSPĖJIMAS- Perskaitykite visas šias nuorodas. Jei nepaisysite toliau pateiktų nuorodų, gali kilti elektros smūgio, gaisro ir/arba sunkių sužalojimų pavojus. Toliau pateiktame tekste naudojama sąvoka "elektrinis įrankis" apibūdina įrankius, maitinamus iš elektros tinklo (su maitinimo laidu), ir akumuliatorinius įrankius (be maitinimo laido).

ISSAUGOKITE ŠIAS SAUGOS NUORODAS.

5.1.1 Darbo vieta

- Darbo vieta turi būti švari ir tvarkinga.** *Netvarka ir blogai apšviesta darbo vieta gali tapti nelaimingų atsitikimų priežastimi.*
- Nedirbkite tokioje aplinkoje, kur yra degių skysčių, dujų ar dulkių.** *Elektriniai įrankiai gali kibirkščiuoti, o nuo kibirkščių dulkės arba susikaupę garai gali užsidegti.*
- Dirbdami su elektriniu įrankiu neleiskite šalia būti žiūrovams, vaikams ir lankytojams.** *Nukreipę dėmesį į kitus asmenis galite nebesuvaldyti prietaiso.*

5.1.2 Elektrosauga

- Maitinimo laido kištukas turi atitikti tinklo rozetės tipą.** *Kištuko jokiū būdu negalima modifikuoti. Nenaudokite jokių kištuko adapterių su įžemintais prietaisais. Originalūs kištukai, tiksliai tinkantys elektros tinklo rozetei, sumažina elektros smūgio pavojų.*
- Venkite kūno kontakto su įžemintais paviršiais, tokiais kaip vamzdžiai, šildytuvai, viryklės ar šaldytuvai.** *Egzistuoja padidinta elektros smūgio rizika, jei Jūsų kūnas bus įžemintas.*
- Saugokite prietaisą nuo lietaus ir drėgmės.** *Jei vanduo patenka į elektrinį prietaisą, padidėja elektros smūgio rizika.*
- Nenaudokite maitinimo laido ne pagal paskirtį, t.y. neneškite prietaiso paėmę už laido, nekabinkite prietaiso už laido, netraukite už jo, norėdami išjungti kištuką iš rozetės.** *Laidą klokite taip, kad jo neveiktų karštis, jis neišsitemptų alyva ir jo nepažeistų aštrios detalės ar judančios prietaiso dalys. Pažeisti arba susipynę laidai gali tapti elektros smūgio priežastimi.*
- Jei su elektriniu įrankiu dirbate lauke, naudokite tik tokius ilginimo kabelius, kurie tinka lauko darbams.** *Naudojant lauko darbams pritaikytus ilginimo kabelius, sumažinamas elektros smūgio pavojus.*

5.1.3 Žmonių sauga

- Būkite atidūs, sutelkite dėmesį į tai, ką Jūs darote ir, dirbdami su elektriniu įrankiu, vadovaukitės sveiku protu.** *Nedirbkite su prietaisu, jei esate pavargę arba vartojote narkotikus, alkoholį ar medikamentus. Akimirksnio neatidumas naudojant prietaisą gali tapti rimtų sužalojimų priežastimi.*
- Naudokite asmenines apsaugos priemones ir visuo-** *met užsidėkite apsauginius akinius. Naudojant*

asmenines apsaugos priemones, pvz., respiratorių ar apsauginę kaukę, neslystančius batus, apsauginį šalimą, klausos apsaugos priemones ir kt., rekomenduojamas dirbant su tam tikros rūšies įrankiais, sumažėja rizika susižeisti.

- Saugokitės, kad neįjungtumėte prietaiso atsitiktinai.** *Prieš kišdami kištuką į elektros tinklo lizdą įsitikinkite, kad prietaisas yra išjungtas. Jeigu nešdami prietaisą pirštą laikysite ant jungiklio arba prietaisą įjungsite į elektros tinklą, kuomet jungiklis nėra išjungtas, tai gali tapti nelaimingo atsitikimo priežastimi.*
- Prieš įjungdami prietaisą pašalinkite reguliavimo įrankius arba veržlių raktus.** *Prietaiso besisukančioje dalyje esantis įrankis ar raktas gali tapti sužalojimų priežastimi.*
- Nepervertinkite savo galimybių.** *Dirbdami atsistokite patikimai ir visada išlaikykite pusiausvyrą. Patikima stovėseną ir tinkamą kūno laikyseną leis geriau kontroliuoti prietaisą netikėtose situacijose.*
- Dėvėkite tinkamą aprangą.** *Nedėvėkite plačių drabužių ir papuošalų. Saugokite plaukus, drabužius ir pirštines nuo besisukančių prietaiso dalių. Laisvus drabužius, papuošalus bei ilgus plaukus gali įtraukti besisukančios dalys.*
- Jei yra numatyta galimybė prijungti dulkių nusiurbimo ar surinkimo įrenginius, visada įsitikinkite, ar jie yra prijungti ir ar teisingai naudojami.** *Šių įrenginių naudojimas sumažina kenksmingą dulkių poveikį.*

5.1.4 Rūpestinga elektrinių įrankių priežiūra ir naudojimas

- Neperkraukite prietaiso.** *Naudokite Jūsų darbui tinkamą elektrinį įrankį. Su tinkamu elektriniu įrankiu Jūs dirbsite geriau ir saugiau, jei neviršysite nurodyto galimumo.*
- Nenaudokite elektrinio įrankio su sugedusiu jungikliu.** *Elektrinis įrankis, kurio nebegalima įjungti ar išjungti, yra pavojingas ir jį reikia remontuoti.*
- Prieš reguliuodami prietaisą, keisdami darbo įrankius ar prieš valydami prietaisą ištraukite kištuką iš elektros tinklo rozetės.** *Ši saugumo priemonė apsaugos jus nuo netikėto prietaiso įsijungimo.*
- Nenaudojamą prietaisą sandėliuokite vaikams ir nemokantiems juo naudotis asmenims neprieinamoje vietoje.** *Elektriniai įrankiai yra pavojingi, kai juos naudoja nepatyrę asmenys.*
- Rūpestingai prižiūrėkite prietaisą.** *Tikrinkite, ar besisukančios prietaiso dalys tinkamai veikia ir niekur neklūva, ar nėra sulūžusių ar šiaip pažeistų dalių, kurios įtakotų prietaiso veikimą. Prieš vėl naudojant prietaisą pažeistos prietaiso dalys turi būti suremontuotos. Daugelio nelaimingų atsitikimų priežastis yra blogai prižiūrimi elektriniai įrankiai.*
- Pjovimo įrankiai turi būti aštrūs ir švarūs.** *Rūpestingai prižiūrėti pjovimo įrankiai su aštriomis pjaujamosiomis briaunomis mažiau stringa ir juos yra lengviau valdyti.*

- g) Elektrinį įrankį, papildomą įrangą, darbo įrankius ir t. t. naudokite taip, kaip nurodyta šioje instrukcijoje ir šiam konkrečiam prietaiso tipui taikomuose reikalavimuose. Taip pat atsižvelkite į darbo sąlygas bei atliekamo darbo pobūdį. *Naudojant elektrinius įrankius ne pagal jų paskirtį galima sukelti pavojingas situacijas.*

5.1.5 Aptarnavimas

- a) Prietaisą turi remontuoti tik kvalifikuotas specialistas ir naudoti tik originalias atsargines dalis. *Taip galima garantuoti, jog prietaisas išliks saugus.*

5.2 Gaminio saugos nuorodos

5.2.1 Žmonių sauga

- a) **Dirbdami naudokite ausines.** *Prietaiso keliamas triukšmas kenkia klausai.*
- b) **Naudokite pakuotėje esančias papildomas rankenas.** *Jos padeda lengviau valdyti prietaisą ir išvengti sužalojimų.*
- c) **Įrankiu leidžiama dirbti tik laikant jį abiem rankomis arba įtvirtinus stovė.** Nustatykite šoninę rankeną į norimą padėtį ir patikrinkite, ar ji gerai uždėta ir tinkamai pritvirtinta. Prietaiso rankeną tvirtai laikykite abiem rankomis.
- d) **Jei prietaisu dirbate be dulkių šalinimo sistemos, o darbo metu nusėdo dulkės, būtinai naudokite kvėpavimo takus saugančias priemones.**
- e) **Kad dirbdami nepargriūtumėte, maitinimo kabelį, jo ilgintuvą ir dulkių išsiuriamo žarną visada laikykite kuo toliau nuo prietaiso.**
- f) **Stenkitės neužminti ant maitinimo kabelio, ilgintuvo kabelio ir siurbimo žarnos.**
- g) **Saugokitės, kad ant odos nepatektų grėžimo metu susidarantis šlamas.**
- h) **Patikrinkite, kad išplovimo sukutis/siurbimo galvutė (šoninės rankenos pagrindas) būtų gerai įtvirtinta savo vietoje ir kad būtų priveržtas fiksavimo žiedas (žr. 6.1.3 skyrelį).**
- i) **Jeigu perforatorius tvirtinamas stovė, pasirūpinkite, kad jis būtų įtvirtintas saugiai.** (žr. 6.9 skyrelį).
- j) **Nesilieskite prie besisukančių detalių.**
- k) **Prietaisas nėra skirtas naudoti vaikams arba fiziškai silpniems neinstrukuotiems asmenims.**
- l) **Vaikams reikia paaiškinti, kad jiems negalima žaisti su šiuo prietaisu.**
- m) Dažų, kurių sudėtyje yra švino, kai kurių rūšių medienos, mineralinių medžiagų ir metalo dulkės gali būti kenksmingos sveikatai. Liečiamos ar įkvėptos tokios dulkės darbuotojui ar arti jo esantiems asmenims gali sukelti alergines reakcijas ir/arba kvėpavimo takų susirgimus. Ažuolo arba buko medienos dulkės gali sukelti vėžinius susirgimus, ypač tada, kai naudojami priedai medienai apdoroti (chromatai, medienos konservantai). Medžiagas, kurių sudėtyje yra asbesto, leidžiama apdoroti tik specialistams.

Pagal galimybes naudokite dulkių nusiurbimo įrenginį. Siekdami nusiurbti kuo daugiau dulkių, naudokite tinkamą. "Hilti" rekomenduojamą mobilių medienos ir/arba mineralinių medžiagų dulkių gaudymo įtaisą, skirtą šiam elektriniam įrankiui. Pasirūpinkite, kad darbo vieta būtų gerai vėdinama. Rekomenduojama užsidėti P2 filtravimo klasės respiratorių. Laikykitės Jūsų šalyje galiojančių instrukcijų apie konkrečių medžiagų apdirbimą.

5.2.2 Rūpestinga elektrinių įrankių priežiūra ir naudojimas

- a) **Patikrinkite, ar įstatomų įrankių jungiamojo antgalio sistema sutampa su griebtuvo sistema ir ar šie įrankiai saugiai įtvirtinti griebtuve.**
- b) **Nutrikus elektros energijos tiekimui: išjunkite prietaisą, ištraukite kištuką.** *Taip prietaisas netikėtai neįsijungs, jei ir vėl atsinaujins įtampos tiekimas.*
- c) **Laikykitės instrukcijose pateiktų nurodymų dėl perforatoriaus priežiūros, techninio aptarnavimo ir savalaikio grąžtų keitimo.**
- d) **Atlikdami darbus, visada laikykite prietaisą abiem rankomis paėmę už izoliuotų rankenų paviršių, jei pjovimo įrankis gali susiliesti su paslėptais elektros laidais arba nuosavu prijungimo kabeliu.** *Įrankiui prisilietus prie elektros laidų, kuriais teka elektros srovė, metalinėse prietaiso dalyse taip pat gali atsirasti įtampa, ir naudotojas gali nukentėti nuo elektros smūgio.*

5.2.3 Elektrosauga

- a) **Prieš darbo pradžią patikrinkite darbo zoną, ar nėra paslėptų elektros, dujotiekio ir vandentiekio linijos, pavyzdžiui, metalo detektoriumi.** *Pavyzdžiui, jei jūs netyčia pažeisite srovės liniją, išorėje esančios prietaiso metalinės dalys gali atsidurti po įtampa. Tai kelia rimtą pavojų patirti elektros šoką.*
- b) **Reguliariai tikrinkite ilginimo kabelį, o pažeistą pekeiskite nauju.** Jei darbo metu pažeidžiamas maitinimo ar ilginimo laidas, nelieskite jų. Išjunkite maitinimo kabelį iš elektros tinklo. *Pažeistos tiekimo linijos ir ilgintuvai kelia elektros šoko pavojų.*
- c) **Jei dažnai dirbate su laidžiomis medžiagomis, nešvarų prietaisą reguliariai tikrinkite "Hilti" techninės priežiūros centre.** *Ant prietaiso korpuso susikaupusios dulkės, ypač laidžių medžiagų dulkės, arba drėgmė esant nepalankioms sąlygoms gali kelti elektros smūgio pavojų.*
- d) **Prietaiso niekada neekspluatuokite be tiekimo komplekte esančios nuotėkio relės PRCD (Didžiosios Britanijos variante – be skiriamojo transformatoriaus). PRCD tikrinkite prieš kiekvieną prietaiso naudojimą.**
- e) **Prieš paspausdami PRCD (automatinio atjungimo prietaiso, suveikiančio trumpojo jungimo su mase atveju) įjungimo mygtuką, perforatorių išjunkite (nuimkite įstatomą gaiduko fiksatorių).** Kiekvieną kartą prieš naudodamiesi įrankiu patikrinkite PRCD prietaisą (žr. 7.1 skyrelį).

5.2.4 Darbo vieta

- Užtikrinkite, kad darbo vieta būtų gerai apšviesta.
- Pasirūpinkite gera darbo vietos ventiliacija. *Blogai vėdinama darbo vieta dėl dulkių apkrovos gali sukelti sveikatos sutrikimus.*

5.2.5 Individualios apsaugos priemonės

Kai įrankiu dirbama, juo dirbantis asmuo ir visi kiti asmenys, esantys netoliese, privalo užsidėti tinkamus apsauginius akinius, apsauginį šalmą, priemonės ausų apsaugai, apsimausti apsaugines pirštines ir apsauginius batus.



5.2.6 Saugos įrenginiai

Niekuomet nedirbkite įrankiu be tinkamų saugos įrenginių:

- Niekuomet nedirbkite įrankiu be išplovimo sukučio/siurbimo galvutės.
- Kai stovė tvirtintu perforatoriumi gręžiama horizontaliai, o stoviu tvirtinti naudojamas vakuuminis įrenginys, turi būti imamas papildomų priemonių stovui tvirtinti.
- Kai stovė tvirtintu perforatoriumi gręžiamas virš galvos esantis objektas, stovas turi būti pritvirtintas inkariniu varžtu ar greitai atleidžiamu fiksatoriumi.
- Kai perforatoriumi gręžiamas virš galvos esančios lubos, būtina naudoti vandens surinkimo sistemą kartu su "šlapijo" tipo dulkių siurbliu.

6. Prieš pradėdami naudotis įrankiu

Labai svarbu, kad būtų perskaitytos šioje naudojimo instrukcijoje atspausdintos darbo saugos taisyklės ir jų būtų laikomasi.

-ATSARGIAI-

Išjunkite įrankį iš elektros tinklo.



Jeigu naudojami kabeliai ilgintuvai. Leidžiama naudoti tik numatomam tikslui patvirtinto tipo kabelius ilgintuvus, kurių skerspjūvio plotas atitinka reikalavimus (yra pakankamas). Nesilaikant šio reikalavimo, gali pablogėti įrankio darbo parametrai, ir kabelis gali perkaisti. Defektų turinčius kabelius ilgintuvus reikia pakeisti.

Rekomenduojami kabelių skerspjūvio plotai ir maksimalūs ilgiai yra tokie:

Tinklo įtampa	Gyslos skerspjūvio plotas			
	1,5 mm ²	2,0 mm ²	2,5 mm ²	3,5 mm ²
100 V		20 m		40 m
110 V	20 m		40 m	
220–230 V	50 m		80 m	

	-ATSARGIAI-
	<ul style="list-style-type: none">Perforatorius, deimantinis tuščiaaviduris gražtas ir perforatoriaus stovas yra sunkūs.Yra pavojus, kad kūno dalys gali būti prispaustos.Dėvėkite apsauginį šalmą, apsaugines pirštines ir apsauginius batus.

6.1 Šoninė rankena

6.1.1 Šoninės rankenos pritvirtinimas

- Įsukite šoninę rankeną į įrankį ir saugiai ją priveržkite.

6.1.2 Šoninės rankenos tvirtinimas kitoje padėtyje

- Išsukite įsukamąjį kamštį iš tos vietos, kurioje norite tvirtinti šoninę rankeną (pavyzdžiui, jei dirba kairiarankis). Šoninės rankenos viršutinę dalį galima išsukti ir naudoti kaip atsuktuvą.
- Įsukite šoninę rankeną į įrankį pageidaujamoje vietoje ir saugiai ją priveržkite.
- Įsukite įsukamąjį kamštį į įsriegtą skylę, kur prieš tai buvo įsukta rankena.

6.1.3 Siurbimo galvutės/išplovimo sukučio (ir šoninės rankenos) reguliavimas.

- Paspauskite išplovimo sukučio stabdiklį, kad jis atlais-

vintų tarpelį tarp fiksavimo žiedo ir išplovimo sukučio/siurbimo galvutės.

- Atleiskite fiksavimo žiedą, esantį tarp griebtuvo ir šoninės rankenos.
- Pasukite šoninę rankeną į pageidaujamą padėtį (fiksuotos padėties – kas 15°).
- Saugiai priveržkite fiksavimo žiedą, kol dantukai susikabins su išplovimo sukučio stabdikliu.

6.2 Deimantinio tuščiavidurio grąžo įdėjimas

-ATSARGIAI-

Naudokite tik originalius Hilti firmos tuščiavidurius grąžtus ir komplektuojamus gaminius!

-ATSARGIAI-	
	<ul style="list-style-type: none"> ■ Gręžiant ar galandant, tuščiaviduris grąžtas gali įkaisti. ■ Jis gali nudeginti rankas. ■ Grąžo pjaunančiosios briaunos (segmentai) gali sužaloti. ■ Keisdami grąžtą, užsimaukite apsaugines pirštines.






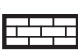
- Išskleiskite griebtuvą, sukdami jį prieš laikrodžio rodyklę (žiūrint iš priekinės griebtuvo pusės).
- Istatykite į griebtuvą deimantinį tuščiavidurį grąžtą.
- Pastumkite grąžtą į griebtuvą ir sukite grąžtą, kol jis susijungs su griebtuvu.
- Užveržkite griebtuvą, sukdami jį pagal laikrodžio rodyklę (žiūrint iš priekinės griebtuvo pusės).
- Patikrinkite, ar grąžtas gerai įtvirtintas: paimkite už jo ir pabandykite ištraukti iš griebtuvo.

6.3 Gręžimo greičio pasirinkimas (pavaros perjungiklio padėtys 1-2-3).





-ATSARGIAI-

Neperjunkite pavaros perjungiklio, kol įrankis sukasi. Palaukite, kol sustos.

Gręžimas įrankį laikant rankose:

	∅		
	mm	Inch	
 	40 - 62 12 - 37	1 5/8" - 2 1/2" 1/2" - 1 1/2"	II III
 	122 - 162 67 - 112 12 - 62	4 3/4" - 6 1/2" 2 5/8" - 4 1/4" 1/2" - 2 1/2"	I II III

Gręžimas įrankį įtvirtinus stovė:

	∅		
	mm	Inch	
 	57 - 152 28 - 52 12 - 25	2 1/4" - 6" 1 1/8" - 2" 1/2" - 1"	I II III

- Pasirinkite gręžimo greitį, vadovaudamiesi ant įrankio pritvirtinta lentele.
- Kartu sukdami grąžtą, pasukite pavaros perjungiklį į norimą padėtį.

6.4 "Sausasis" gręžimas

6.4.1 Dulkių siurbimo sistemos prijungimas

- Išsukite dangtelį iš išplovimo sukučio/siurbimo galvutės.
- Istatykite dulkių siurbimo žarną į siurbimo žarnos jungtį.
- Uždarykite vandens vožtuvą (šoninėje rankenoje).

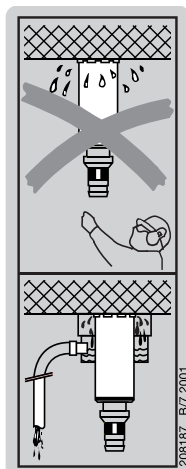
6.5 "Šlapiasis" gręžimas įrankį laikant rankose

6.5.1 Vandens tiekimo žarnos prijungimas

- Uždarykite vandens vožtuvą (šoninėje rankenoje).
- Įsukite dangtelį į dulkių siurbimo žarnos jungtį.
- Prijunkite vandens tiekimo žarną (į vandens žarnos jungtį).

6.6 "Šlapiasis" gręžimas įrankį laikant rankose ir naudojant vandens surinkimo sistemą

6.6.1 Vandens surinkimo sistemos montavimas



Naudojant vandens surinkimo sistemą, vandenį galima nukreipti nuo grąžo ir tokiu būdu išvengti vietos užteršimo. Geriausi rezultatai gaunami, kartu naudojant "šlapijo" tipo dulkių siurblių.

Gręžiant virš galvos esantį objektą, būtina naudotidens surinkimo sistemą kartu su "šlapijo" tipo dulkių siurbliu. Nustatykite šoninę rankeną ir išplovimo sukučių (siurbimo galvutę) taip, kad nekludomai būtų galima sumontuoti vandens surinkimo sistemą. Centravimo žiedas ir sandarinimo tarpiklis turi būti tokio dydžio, kuris atitiktų naudojamo grąžo skersmenį.

- Iš apatinės įrankio pusės uždėkite vandens surinkimo sistemą taip, kad du tvirtinimo pirštai atsidurtų fasoninėje išėmoje.
- Atlenkite vandens surinkimo sistemą į priekį.
- Pritvirtinkite ją, pasukdami tvirtinimo rankenėlę.

- Iš vandens surinkimo sistemos priekinės pusės prijunkite "šlapiojo" tipo dulkių siurbį. Kitaip dar galima leisti vandeniui žarna nutekėti į šalį. Žarna prijungiama prie vandens rinktuvo įvorės išleidžiamojo atvamzdžio (neleidžiama naudoti, jeigu gręžiamas virš galvos esantis objektas).

6.6.2 Gylmačio reguliavimas

- Nustatykite gylmatį pageidaujamam gręžimo gyliui gauti.
- Prispaudimo sraigto gylmatį įtvirtinkite nustatytoje padėtyje.

6.7 Kai naudojamas perforatoriaus stovas

6.7.1 Gręžiamojo stovo tvirtinimas kaiščiu

-JSPĖJIMAS-

Naudokite esamam pagrindui tinkamą kaištį ir laikykite kaiščių gamintojo pateiktą montavimo nurodymų.

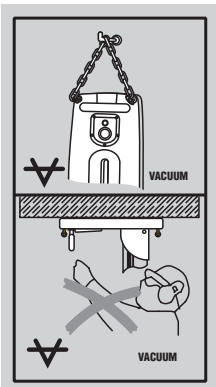
-NURODYMAS-

Deimantinio koloninio gręžimo įrangai tvirtinti prie nesutrūkinėjusio betono paprastai tinka „Hilti“ metaliniai skečiamieji kaiščiai M12. Tačiau, susidarius tam tikroms aplinkybėms, gali prireikti alternatyvaus tvirtinimo priemonių. Kilus klausimų dėl patikimo tvirtinimo, kreipkitės į „Hilti“ techninį centrą.

- 200 mm (tai būtų idealu) atstumu nuo gręžimo centro įstatykite atitinkamam pagrindui tinkamą kaištį.
- Į šį kaištį įsukite greito tvirtinimo smeigę.
- Ant greito tvirtinimo smeigės uždėkite gręžiamąjį stovą ir jį nustatykite pagal gręžimo centro rodyklę.
- Ant greito tvirtinimo smeigės užsukite tvirtinamąją veržlę, tačiau jos neprivėžkite.
- Keturiais niveliuojamaisiais varžtais išlyginkite plokštę. Užtikrinkite, kad niveliuojamieji varžtai tvirtai remtųsi į pagrindą. Nustatymą palengvins ant pagrindo plokštės esantis gulsčiukas.
- Niveliuojamuosius varžtus blokuokite antveržlėmis.
- Veržlę stipriai privėžkite veržliniu raktu.
- Įsitikinkite, kad gręžiamasis stovas patikimai pritvirtintas.

6.7.2 Perforatoriaus stovo tvirtinimas naudojant vakuuminę pagalvę

Vakuumo sumažinimo vožtuvas yra įmontuotas į pagrindno rankeną.



Draudžiama stovę įtvirtintu perforatoriumi gręžti virš galvos esantį objektą, kai stovas pritvirtintas tik naudojant vakuumą.

- Atsukite keturis nustatymo sraigtus, kad jie pro pagrindno apačią būtų išsikišę maždaug 5 mm.
- Užmaukite vieną žarnos galą ant vakuumo žarnos prijungimo atvamzdžio, kuris yra ant stovo pagrindo, o kitą prijunkite prie vakuuminio siurblio.
- Įjunkite vakuuminį siurbį ir ištraukite skylės centro indikatorius. Spausdami vakuumo sumažinimo vožtuvą ir stebėdami skylės centro indikatorius, nustatykite norimą stovo pagrindo padėtį. Nustatę pagrindą teisingoje padėtyje, paspauskite pagrindą į darbinį paviršų ir patraukite pirštą nuo vakuumo sumažinimo vožtuvo. Prieš pradėdami gręžti ir gręžiant reikia žiūrėti, kad manometro rodyklė būtų žaliajame segmente.
- Tada sukinėdami keturis nustatymo sraigtus, išlyginkite stovo pagrindą. Tą padaryti padės spiritinis gulsčiukas, sumontuotas pagrinde.
- Privėžkite fiksavimo veržles, kad nustatymo sraigtais nebegalėtų pasisukti.
- Gręžiant horizontaliai, perforatoriaus stovui tvirtinti turi būti imamas papildomų priemonių (pavyzdžiui, naudojant grandinę, tvirtinamą prie inkarinio varžto).
- Įsitikinkite, kad gręžimo stovas yra patikimai pritvirtintas.

6.7.3 Perforatoriaus stovo tvirtinimas naudojant greitai atleidžiamą fiksatorių (pvz., tarp grindų ir lubų)

- Ištraukite skylės centro indikatorius ir pasinaudokite juo kaip pagalbine priemone perforatoriaus stovui centruoti skylės, kuri bus gręžiama, centro atžvilgiu.
- Atsargiai įstatykite greitai atleidžiamą ramsčio galą į ovalinę pagrindno išėmą (nestatykite ramsčio ant gulsčiuko ar manometro).
- Įtvirtinkite pagrindą lengvai paspausdami greitai atleidžiamam ramsčiui.
- Tada sukinėdami keturis nustatymo sraigtus, išlyginkite stovo pagrindą. Tą padaryti padės spiritinis gulsčiukas, sumontuotas pagrinde.
- Privėžkite fiksavimo veržles, kad nustatymo sraigtais nebegalėtų pasisukti.
- Saugiai privėžkite greitai atleidžiamą ramstį.
- Įsitikinkite, kad gręžimo stovas yra patikimai pritvirtintas.

6.8 Vandens surinkimo sistema skirta naudoti su perforatoriaus stovu

Perforatoriaus stovas turi būti montuojamas taip, kad su darbinio paviršiumi sudarytų 90° kampą.

Vandens rinktuvo įvorė ir sandarinimo tarpiklis turi būti tokio dydžio, kuris atitiktų naudojamo grąžo skersmenį.

- Atpalaiduokite kolonėlių reguliavimo svirtį, kol padėties fiksavimo dantukai atsikabins.
- Atlenkite kolonėles.
- Pritvirtinkite vandens rinktuvo laikiklį.
- Grąžinkite kolonėles į vertikalią padėtį.
- Užlenkite reguliavimo svirtis, kol padėties fiksavimo dantukai visiškai užsikabins ir kolonėles vėl bus įtvirtintos.

6. Pakelkite laikiklį ir pastumkite vandens rinktuvo įvorę po fiksatoriumi iki atramos.
7. Prijunkite prie vandens rinktuvo įvorės atvamzdžio, "šlapiojo" tipo dulkių siurblių arba tokio ilgio žarną, kokio reikia vandeniui nutekėti į šalį.

6.9 Įrankio įstatymas į grąžto laikiklį -ATSARGIAI-

- Atpalaidavimo svirtis grąžto laikikyje turi būti nustatyta į padėtį "atidaryta", spyruoklė neįtempta. Gręžimo mechanizmas turi būti užrakintas (grandinės stabdiklis įjungtas).
1. Įrankio sąsajos plokštelės padėtį nustatykite ant dviejų kaištelių, esančių grąžto laikikyje. (6.9.1)
 2. Įrankį staigiu judesiu pakabinkite ant grąžto laikiklio. Turi pasigirsti specifinis garsas. (6.9.2)
 3. Patikrinkite atpalaidavimo svirtelės padėtį, norėdami įsitikinti, kad įrankis tvirtai ir patikimai pritvirtintas prie grąžto laikiklio. (6.9.3)
 4. Jungiklio užraktą įstatykite į specialią ertmę ranke-noje. Jungiklio užraktu jungiklis laikomas padėtyje "įjungta", laikinai nesisinaudojant įrankiu.
 5. Uždarykite vandens sklendę šoninėje ranke-noje.
 6. Įjunkite vandens tiekimą.

6.10 Rankinės pastūmos rankenos tvirtinimas

1. Užmaukite rankinės pastūmos rankeną ant ašies.
2. Pritvirtinkite ją, priverždami sraigtuką apvalia galvute. Rankinės pastūmos rankeną galima tvirtinti iš abiejų sto-vo pusių.

6.11 Perforatoriaus stovo padėties reguliavimas norint gręžti kampu

- (žingsnis 7,5°, maksimalus atlenkimo kampas - 45°).
1. Atpalaiduokite kolonėlių reguliavimo svirtį, kol padėties fiksavimo dantukai atsikabins.
 2. Nustatykite kolonėles į norimą padėtį.
 3. Užkabinkite už padėties fiksavimo dantukų.
 4. Perstumkite reguliavimo svirtis kol padėties fiksavi-mo dantukai visiškai susikabins su kolonėlėmis ir šios bus vėl įtvirtintos.
 5. Paspauskite ir pasukite reguliavimo svirtis, norėda-mi grąžinti jas į vertikalią padėtį.

6.12 Įrankio nuėmimas nuo stovo -ATSARGIAI-

- Įrankis turi būti išjungtas iš elektros tinklo. Įrankio pastūmos mechanizmas turi būti blokuotas (gran-dinės stabdiklis užsikabinęs).
1. Uždarykite vandens vožtuvą, įmontuotą šoninėje ran-kenoje.
 2. Atjunkite vandens tiekimo žarną.
 3. Išimkite iš rankenos jungiklio gaiduko fiksatorių.
 4. Laikykite viena ranka įrankį už rankenos ir atleiskite stovo svirtį.
 5. Pasukite įrankį į šalį nuo stovo.

7. Įjunkite įrankį į elektros tinklą


Ant įrankio pritvirtintoje techninių duomenų lentelėje nurodyta įtampa turi atitikti kintamosios srovės tinklo, iš kurio įrankis maitinamas, įtampą.



1. Patikrinkite, kad įrankis būtų išjungtas arba atitinka-mai išimkite jungiklio gaiduko fiksatorių.
2. Įkiškite maitinimo kabelio šakutę į elektros tinko kištukinį lizdą.
3. Paspauskite automatinio atjungimo prietaiso PRCD mygtuką "ON" (įjungta) (lemputė turi šviesti).
4. Paspauskite automatinio atjungimo prietaiso PRCD mygtuką "TEST" (tikrinimas) (lemputė turi nešviesti).

-PAVOJUS-

Jeigu indikacijos lemputė neegsta, prietaiso toliau eks-pluatuoti negalima. Atiduokite prietaisą remontuoti kva-lifikuotiems specialistams, kurie privalo naudoti ori-ginalias atsargines dalis.

5. Paspauskite automatinio atjungimo prietaiso PRCD mygtuką "ON" (įjungta) (lemputė turi šviesti).

	- ATSARGIAI -
	<ul style="list-style-type: none"> ■ Įrankis ir pati gręžimo operacija kelia triukšmą. ■ Per didelį triukšmą gali pakenkti klausi-sai. ■ Užsidėkite ausų apsaugos priemones.

 	- ATSARGIAI -
	<ul style="list-style-type: none"> ■ Gręžimo operacijos metu gali lėkti pavoj-ingos skeveldros. ■ Lekiančios skeveldros gali sužaloti akis ar kitas kūno dalis. ■ Užsidėkite apsauginius akinius ir apsau-ginį šalną.

7.2 "Sausasis" gręžimas

7.2.1 Pagalbinės priemonės grąžtui įsipjauti į gręžiamą medžiagą montavimas

Kiekvieno skirtingo skersmens deimantiniam tuščiaiv-duriui grąžtui reikalinga kitokia pagalbinių priemonė.

1. Montuokite pagalbinių priemonę grąžtui įsipjauti į gręžiamą medžiagą priekiniame deimantinio tuščia-vidurio grąžto gale.

7.2.2 Dulkių siurblys su kištukiniu lizdu elektriniams įrankiams jungti

Įjungus elektrinį įrankį, dulkių siurblys įsijungia auto-matiškai. Elektrinį įrankį išjungus, po trumpo vėlinimo laiko dulkių siurblys taip pat išsijungia.

Įjungimas

1. Paspauskite įrankio maitinimo jungiklio gaiduką.
2. Pradėkite gręžti su pritvirtinta pagalbiniu priemone grąžtui įsipjauti į gręžiamą medžiagą ir gręžkite tol,

kol atsikišę gražto segmentai įsipjaus į pagrindo medžiagą.

3. Išjunkite įrankį.
4. Nuimkite pagalbinę priemonę ir gręžkite toliau.

Išjungimas

1. Išjunkite įrankį.
2. Jeigu reikia, išimkite išgręžtą cilindrinį medžiagos stulpelį.

7.2.3 Dulkių siurblys be kištukinio lizdo elektriniams įrankiams jungti

Išjungimas

1. Njunkite dulkių siurblių.
2. Paspauskite įrankio maitinimo jungiklio gaiduką.

Išjungimas

1. Išjunkite įrankį.
2. Leiskite siurbliui dar šiek tiek padirbti, kad būtų susiurbtos likusios dulkės, ir tada jį išjunkite.

7.3 “Šlapiasis” gręžimas perforatorių laikant rankose

Išjungimas

1. Atidarykite šoninėje rankenoje įmontuotą vandens vožtuvą, kol pradės tekėti norimas vandens srautas. Tekančio vandens debitą galima stebėti indikatoriuje, kuris sumontuotas rankenoje.
2. Paspauskite maitinimo jungiklio gaiduką.
3. Pradėdami gręžti skylę, laikykite įrankį nedideliu kampu į darbinį paviršių. Taip gražtas lengviau įsipjauna į medžiagą.
4. Kai gražtas įsipjauna į medžiagą, pasukite jį statmeni į medžiagą ir tęskite gręžimo operaciją.

Išjungimas

1. Išjunkite įrankį.
2. Uždarykite šoninėje rankenoje sumontuotą vandens vožtuvą.

7.4 “Šlapiasis” gręžimas įrankį laikant rankose ir naudojant vandens surinkimo sistemą

Vizavimo plaukellai vandens surinkimo sistemos priekiniame gale tarnauja kaip pagalbinė priemonė tiksliam padėties nustatymui.

Išjungimas

1. Ijunkite vandens siurbimo sistemą (jeigu ji naudojama).
2. Lėtai atidarykite šoninėje rankenoje sumontuotą vandens vožtuvą, kol pradės tekėti pageidaujamas vandens srautas. Šioje rankenoje įmontuotas vandens debito indikatorius įgalina patikrinti vandens debitą.
3. Paspauskite maitinimo jungiklio gaiduką.
4. Pradėdami gręžti skylę, laikykite įrankį nedideliu kampu į darbinį paviršių. Taip gražtas lengviau įsipjauna į medžiagą.
5. Kai gražtas įsipjauna į medžiagą, pasukite jį statmeni į medžiagą ir tęskite gręžimo operaciją.

Išjungimas

1. Išjunkite įrankį.

-ISPĖJIMAS-

Gręžiant virš galvos esantį objektą, negalima leisti, kad vanduo, likęs tuščiaiduriame gražte, tekėtų žemyn per įrankį.

2. Uždarykite šoninėje rankenoje sumontuotą vandens vožtuvą.
3. Išjunkite dulkių siurblių (jeigu jis naudojamas).
4. Jeigu reikia, išimkite išgręžtą cilindrinį medžiagos stulpelį.

7.5 “Šlapiasis” gręžimas naudojant stovą

Išjungimas

1. Ijunkite “šlapijo” tipo dulkių siurblių (jei jis naudojamas).
2. Lėtai atidarykite šoninėje rankenoje sumontuotą vandens vožtuvą, kol pradės tekėti pageidaujamas vandens srautas. Šioje rankenoje įmontuotas vandens debito indikatorius įgalina patikrinti vandens debitą.
3. Norėdami įrankiu dirbti nepertraukiamu režimu, panaudokite jungiklio paleidiklį.
4. Atleiskite grandinės stabdiklį.
5. Sukite rankinės pastūmos rankeną, kol gražto segmentai paleis darbinį (gręžiamą) paviršių.
6. Pradėdami gręžti gražtą spauskite tik nestipriai, o kada gražtas įsipjauna į medžiagą, spaudimo jėgą padidinkite.
7. Stebėkite gręždami perkrovimo indikatorius. Jeigu šis indikatorius įsižiebia, spaudimo jėgą į gražtą reikia sumažinti.

Išjungimas

1. Uždarykite šoninėje rankenoje sumontuotą vandens srauto reguliavimo vožtuvą.
2. Ištraukite gražtą iš skylės
3. Užkabinkite grandinės stabdiklį.
4. Išjunkite įrankį.
5. Išjunkite dulkių siurblių (jeigu jis naudojamas).
6. Jeigu reikia, išimkite išgręžtą cilindrinį medžiagos stulpelį.
7. Išjunkite įrankį.

-ISPĖJIMAS-

Gręžiant virš galvos esantį objektą, negalima leisti, kad vanduo, likęs tuščiaiduriame gražte, tekėtų žemyn per įrankį.

8. Užtikrinkite perforatoriaus stovo stabilumą, nuleisdami žemyn įrankį ir gražtą prie pagrindo.

7.6 Veiksmai įstrigus gręžimo karūnai

Įstrigus gręžimo karūnai, suveikia slydimo mova, kuri lieka tokioje būsenoje tol, kol naudotojas išjungia prietaisą. Gręžimo karūną galima atlaisvinti atliekant toliau nurodytus veiksmus.

Gręžimo karūnos atlaisvinimas veržliniu raktu

1. Maitinimo kabelio kištuką ištraukite iš elektros lizdo.
2. Tinkamą veržlinį raktą uždėkite ant gręžimo karūnos koto ir sukdami atlaisvinkite karūną.
3. Maitinimo kabelio kištuką įjunkite į elektros lizdą.
4. Tęskite gręžimo procesą.

Gręžimo karūnos atlaisvinimas kryžminiu raktu (tik dirbant su stovu)

1. Maitinimo kabelio kištuką ištraukite iš elektros lizdo.
2. Kryžminiu raktu atlaisvinkite gręžiamoje medžiagoje įstrigusią gręžimo karūną.

3. Prietaiso maitinimo kabelio kištuką įjunkite į elektros lizdą.
4. Tęskite gręžimo procesą.

7.7 Transportavimas ir sandėliavimas:

-NURODYMAS-

- Prietaisą visada transportuokite tik "Hilti" lagamine.
- Prieš sandėliuodami prietaisą, atidarykite vandens reguliavimo sklendę. Esant temperatūrai, žemesnei už užšalimo temperatūrą, kontroliuokite, kad prietaise nekiltų vandens.

8. Priežiūra ir techninis aptarnavimas

Išjunkite maitinimo kabelio šakutę iš elektros tinklo kištukinio lizdo.

8.1 Tuščiavidurių grąžtų priežiūra

Nuvalykite prie grąžtų prilipusius visokius nešvarumus ir jų paviršių apsaugokite nuo korozijos, kartkartėmis patirdami juos alyvuotu skuduru. Grąžtu jungiamuosius galus reikia gerai prižiūrėti: jei turi būti švarus ir šiek tiek sutepti.

8.2 Įrankio priežiūra

Patikrinkite, kad būtų ištraukta iš lizdo maitinimo kabelio šakutė.

-ATSARGIAI-

Prietaisas, ypač jo rankenų paviršiai, visada turi būti sausi, švarūs, nesutepti alyva ar tirštu tepalu. Nenaudokite priežiūros priemonių, kurių sudėtyje yra silikonų.

Išorinis korpusas pagamintas iš smūgiams atsparaus plastiko. Rankenos pagamintos iš elastomero.

Nenaudokite prietaiso, jei jo vėdinimo angos yra užsikimšusios! Vėdinimo angas atsargiai išvalykite sausu šepetėliu. Saugokite prietaisą, kad jį nepatektų svetimkūnių. Prietaiso išorę reguliariai valykite sudrėkinta šluoste. Valymui nenaudokite purkštuvų, aukšto slėgio garų įrangos arba tekančio vandens! Priešingu atveju prietaisas gali tapti nesaugus naudoti elektros saugos požiūriu.

Reguliariais laiko intervalais valykite skuduru griebtuvą ir tvirtinimo segmentus ir šias detales sutepkite Hilti firmos purškiamu tepalu. Išvalykite griebtuvą, kad jame neliktų jokių nešvarumų ar skeveldrų.

Laikas nuo laiko išimkite filtrą, įstatytą vandens įleidimo atvamzdyje (šoninėje rankenoje) ir išplaukite filtro sietelį po tekančiu vandeniu, laikydami jį taip, kad vanduo bėgtų iš priešingos tinklelio pusės, negu, kad bėga įstačius filtrą.

Jeigu vandens debito indikatorius užsiteršė, išimkite jį ir išvalykite detales. Nenaudokite stiklui valyti abrazyvinių priemonių ar aštrių daiktų. Tai gali turėti neigiamos įtakos vandens debito indikatoriaus darbui.

8.3 Įrankio techninis aptarnavimas

Reguliariais laiko intervalais tikrinkite visas išorines įrankio dalis, ar jos nėra apgadintos. Taip pat tikrinkite, kad visi valdymo įtaisai veiktų be sutrikimų. Nedribkite įrankiu, jeigu jo detalės yra apgadintos arba neteisingai veikia valdymo įtaisai. Nrankį tokiu atveju reikia remontuoti Hilti techninio aptarnavimo centre.

Įrankio elektrinę dalį leidžiama remontuoti tik specialų pasiruošimą turintiems specialistams elektrikams.

8.4 Perforatoriaus stovo priežiūra

8.4.1 Grandinės priežiūra

Tikrinkite grandinės kreipiančiąsias, kad jos būtų švarios ir nebūtų gręžimo šlamo. Grandinė visuomet turi būti apsaugota tepalo plėvele.

8.5 Perforatoriaus stovo techninis aptarnavimas

8.5.1 Eigos reguliavimas

Eiga turi būti lengva, bet be tarpelio.

Eigą galima reguliuoti sraigtais (2 viršuje ir 2 apačioje).

8.5.1.1 Sunki eiga

1. Atleiskite apatinį sraigą
2. Priveržkite viršutinį sraigą tiek kiek reikia.
3. Priveržkite apatinį sraigą iki galo.

8.5.1.2 Laisvesnė eiga

1. Atleiskite viršutinį sraigą.
2. Priveržkite apatinį sraigą iki galo.

8.5.2 Grandinės įtempimo reguliavimas

Kai pavažos galinėje kraštinėje padėtyje, grandinė turi būti tik truputį nusvirti žemyn sukdamasi horizontaliai. Grandinės įtempimą galima reguliuoti dviem sraigtais (grandinės simbolis ant dangtelio).

● Sukant sraigą pagal laikrodžio rodyklę, grandinė įtempama.

● Sukant sraigą prieš laikrodžio rodyklę, grandinė atlaisvinama. Abi grandinės turi būti įtemptos vienodai.

9. Gedimų nustatymas ir šalinimas

Gedimas	Galima priežastis	Ką daryti
Įrankis neįsijungia	Gedimas elektros tinkle	Įjunkite kitą elektros prietaisą ir patikrinkite, ar jis veikia.
	Sugadintas maitinimo kabelis arba šakutė	Kabelį turi patikrinti specialistas elektrikas ir, jeigu reikia, pakeisti.
	Sugedęs jungiklis	Jungiklį turi patikrinti specialistas elektrikas ir, jeigu reikia, pakeisti.
Variklis dirba, tačiau grąžtas nesisuka. Mažėja grąžto skverbimosi į gręžiamą medžiagą greitis.	Sugedęs reduktorius.	Įrankį reikia remontuoti Hilti techninio aptarnavimo centre.
	Per didelis vandens slėgis/ vandens srautas.	Reguliuokite vandens srautą reguliatoriumi, įrengtu šoninėje rankenoje.
	Grąžtas su defektu.	Patikrinkite, ar grąžtas nesugadintas ir, jeigu reikia, pakeiskite.
	Sugedęs reduktorius.	Įrankį reikia remontuoti Hilti techninio aptarnavimo centre.
	Atšipę grąžto segmentai.	Išgaląskite grąžtą ant galandinimo plokštelės tekant vandeniui.
Variklis išsijungia	Įrankis nustoja veikti.	Nukreipkite įrankį statmenai.
	Įrankis perkaito: suveikė variklio apsauginė šiluminė relė.	Sumažinkite įrankio apkrovą ir leiskite greičiui padidėti iki maksimalios vertės: tuo tikslu keletą kartų paspauskite jungiklio gaiduką.
	Sugedusi elektroninė įrankio dalis.	Įrankį reikia remontuoti Hilti techninio aptarnavimo centre.
	Sugedęs ašinis aušinimo ventilatorius.	Įrankį reikia remontuoti Hilti techninio aptarnavimo centre.
Neteka vanduo	Užterštas filtras arba vandens sąnaudų indikatorius.	Išimkite filtrą arba vandens sąnaudų indikatorius ir gerai išplaukite vandens čiurkšle.
Vanduo išteka ties reduktoriaus korpusu. Negalima įstatyti grąžto į griebtuvą.	Sugadintas veleno riebokšlis/išplovimo sukutis/siurbimo galvutė.	Įrankį reikia remontuoti Hilti techninio aptarnavimo centre.
	Grąžto jungiamasis galas arba griebtuvas yra užsiteršę arba apgadinti.	Išvalykite jungiamąjį galą ir griebtuvą. Jeigu reikia, detales pakeiskite.
Vanduo išteka ties griebtuvu.	Grąžto jungiamasis galas arba griebtuvas yra užsiteršę.	Išvalykite jungiamąjį galą ir griebtuvą.
	Sugadintas griebtuvo riebokšlis.	Patikrinkite riebokšlį ir, jeigu reikia, pakeiskite.
Per didelis tarpas gręžimo sistemoje.	Per didelis tarpas ties kreipiančiosiomis.	Reguliuokite iš naujo kreipiančiąsias.
	Nepakankamai įtempta grandinė.	Įtempkite grandinę.
	Atsilaisvinęs šarnyrinis mechanizmas.	Priveržkite šarnyrinio mechanizmo reguliavimo svirtį (6.11).

10. Įrankio utilizacija



"Hilti" įrenginiai pagaminti iš perdirbamų medžiagų. Tačiau prieš perdirbant jas reikia teisingai išrūšiuoti. Daugelyje šalių "Hilti" au yra pasirušūsusi surinkti senus elektrinius įrenginius ir juos perdirbti. Prašome kreiptis į klientų aptarnavimo centrą "Hilti" arba į "Hilti" prekybos atstovą.

Gręžimo atliekų utilizavimas

Prieš tai neapdoroto gręžimo metu susidarancio purvo išleidimas į nutekamuosius vandenis ar kanalizaciją prieštarauja aplinkos apsaugos reikalavimams. Apie Jūsų šalyje galiojančius reikalavimus pasitiraukite atsakingų žinybų.

Mes rekomenduojame tokiu būdu apdoroti išleidžiamą purvą:

surinkite gręžimo metu susidariusį purvą (pvz., panaudodami "šlapijo" tipo dulkių siurbį).

Leiskite purvui nusėsti ir kietąją jo dalį nuvežkite į statybinių atliekų sąvartyną (nusėdimo procesą galima pagreitinoti įdėjus vilnos kuokštų).

Prieš išleisdami likusį vandenį (šarminė terpė, pH > 7) į kanalizaciją, neutralizuokite jį rūgščia neutralizavimo medžiaga arba praskieskite dideliu kiekiu vandens.



Tiktai ES valstybėms

Neišmeskite elektros įrengimų į buitinius šiukšlynus!

Pagal ES Direktyvą dėl naudotų įrengimų, elektros įrengimų ir jų įtraukimo į valstybinius įstatymus naudotus įrengimus būtina suringti atskirai ir nugabenti antrinių žaliavų perdirbimui aplinkai nekenksmingu būdų.

11. Gamintojo teikiama garantija

"Hilti" garantuoja, kad pristatytas prietaisas neturi medžiagos arba gamybos trūkumų. Ši garantija taikoma, jei prietaisas naudojamas, prižiūrimas ir valomas vadovaujantis "Hilti" naudojimo instrukcijos nurodymais ir užtikrinamas jo konstrukcijos techninis vieningumas, t.y. naudojamos tik originalios "Hilti" dalys, eksploatacinės medžiagos, priedai ir atsarginės dalys.

Ši garantija apima nemokamą remontą arba nemokamą sugedusių dalių keitimą visu prietaiso tarnavimo laikotarpiu. Natūraliai susidėvintiems dalims garantija netaikoma.

Kitos pretenzijos nepriimamos, jei jų priimti nereikalaujama pagal šalies įstatymus. "Hilti" neatsako už tiesioginę arba netiesioginę materialinę ir dėl jos atsiradusią žalą, nuostolius arba išlaidas, atsiradu-

sias naudojant prietaisą, arba dėl negalėjimo naudoti prietaiso pagal paskirtį. Nepriimamos numanomoms garantijos dėl prietaiso naudojimo pagal tam tikrą paskirtį.

Jei prietaisą reikia remontuoti arba pakeisti, nustatę gedimą nedelsdami nusiųskite jį atsakingai "Hilti" prekybos atstovybei.

Ši garantija apima visus "Hilti" garantinius įsipareigojimus ir pakeičia iki šiol galiojusius ir galiojančius pareiškimus, raštiškus arba žodinius susitarimus dėl garantijos.

12. Atitikimo EB reikalavimams deklaracija (originali)

Aprašymas:	Deimantiniais tuščiaaviduriais grąžtais gręžiantis perforatorius
Pavadinimas:	DD 130
Sukūrimo metai:	2001

Prisiimdami visą atsakomybę, mes pareiškiame, kad gaminyje atitinka šiuos standartus ir direktyvas: 2006/42/EG, 2004/108/EB, EN 61029-1, 2011/65/EU, EN ISO 12100.

**Hilti Corporation, Feldkircherstrasse 100,
FL-9494 Schaan**

Paolo Luccini
Head of BA Quality & Process Management
BA Electric Tools & Accessories
11/2009

Johannes W. Huber
Senior Vice President
BU Diamond
11/2009

Techninė dokumentacija prie:

Hilti Entwicklungsgesellschaft mbH
Zulassung Elektrowerkzeuge
HiltiStrasse 6
86916 Kaufering
Deutschland



Hilti Corporation

LI-9494 Schaan

Tel.: +423 / 234 21 11

Fax: +423 / 234 29 65

www.hilti.com

Hilti = registered trademark of Hilti Corp., Schaan

W 2690 | 1212 | 10-Pos. 5 | 1

Printed in Germany © 2012

Right of technical and programme changes reserved S. E. & O.

372455 / A3



372455