



C 7

English

C 7

Original operating instructions

1 Information about the documentation

1.1 About this documentation

- Read this documentation before initial operation or use. This is a prerequisite for safe, trouble-free handling and use of the product.
- Observe the safety instructions and warnings in this documentation and on the product.
- Always keep the operating instructions with the product and make sure that the operating instructions are with the product when it is given to other persons.

1.2 Explanation of symbols used

1.2.1 Warnings

Warnings alert persons to hazards that occur when handling or using the product. The following signal words are used:



DANGER !

- ▶ Draws attention to imminent danger that will lead to serious personal injury or fatality.



WARNING !

- ▶ Draws attention to a potential threat of danger that can lead to serious injury or fatality.



CAUTION !

- ▶ Draws attention to a potentially dangerous situation that could lead to slight personal injury or damage to the equipment or other property.

1.2.2 Symbols in the documentation

The following symbols are used in this document:

	Read the operating instructions before use.
	Instructions for use and other useful information
	Dealing with recyclable materials
	Do not dispose of electric equipment and batteries as household waste

1.2.3 Symbols in the illustrations

The following symbols are used in illustrations:

	These numbers refer to the corresponding illustrations found at the beginning of these operating instructions
	The numbering reflects the sequence of operations shown in the illustrations and may deviate from the steps described in the text
	Item reference numbers are used in the overview illustrations and refer to the numbers used in the product overview section
	This symbol is intended to draw special attention to certain points when handling the product.

1.3 Product-dependent symbols

1.3.1 Symbols on the product

The following symbols are used:



For indoor use only



Double insulated

1.4 Product information

HILTI products are designed for professional users and only trained, authorized personnel are permitted to operate, service and maintain the products. This personnel must be specifically informed about the possible hazards. The product and its ancillary equipment can present hazards if used incorrectly by untrained personnel or if used not in accordance with the intended use.

The type designation and serial number are printed on the rating plate.

- ▶ Write down the serial number in the table below. You will be required to state the product details when contacting Hilti Service or your local Hilti organization to inquire about the product.

Product information

Charger	C 7
Generation	01
Serial no.	

1.5 Declaration of conformity

We declare, on our sole responsibility, that the product described here complies with the applicable directives and standards. A copy of the declaration of conformity can be found at the end of this documentation.

The technical documentation is filed here:

Hilti Entwicklungsgesellschaft mbH | Tool Certification | Hiltistrasse 6 | 86916 Kaufering, Germany

2 Safety

2.1 General safety instructions

⚠ WARNING Read all safety instructions and other instructions. Failure to observe the safety instructions and other instructions may result in electric shock, fire and/or serious injury.

Keep all safety precautions and instructions for future reference.

The term "electric tool" used in the safety instructions refers to your mains-operated (corded) electric tool or battery-operated (cordless) electric tool.

Working area safety

- ▶ **Keep your working area clean and well lit.** Cluttered or dark working areas can cause accidents.
- ▶ **Do not operate the power tool in explosive atmospheres, such as in the presence of flammable liquids, gases or dust.** Power tools create sparks which may ignite the dust or fumes.
- ▶ **Keep bystanders, children and visitors away while operating the power tool.** Distractions may cause you to lose control of the tool.

Electrical safety

- ▶ **The plug on the supply cord of the power tool must match the power outlet. Do not change the plug in any way. Do not use adapter plugs with earthed (grounded) power tools.** Unmodified plugs and matching power outlets reduce the risk of electric shock.
- ▶ **Avoid body contact with earthed or grounded surfaces such as pipes, radiators, cookers, stoves and refrigerators.** There is an increased risk of electric shock if your body is grounded.
- ▶ **Do not expose the power tool to rain or wet conditions.** Water entering a power tool will increase the risk of electric shock.
- ▶ **Do not abuse the cord. Never use the cord to carry or hang up the power tool or to pull the plug out of the power outlet. Keep the cord well away from heat, oil, sharp edges and moving parts.** Damaged or twisted supply cords increase the risk of electric shock.
- ▶ Use the battery charger only inside dry rooms. Water entering an electric appliance will increase the risk of electric shock.

2.2 Battery charger use and care

- ▶ To avoid injury, use the charger only to charge **Hilti** Li-ion batteries approved for use with this charger.
- ▶ The location at which the charger is used should be clean and cool but protected from frost.

- ▶ The charger must be able to emit heat while in operation. The air vents must therefore remain unobstructed. Accordingly, remove the charger from the toolbox. Do not operate the charger inside a closed container.
- ▶ Maintain the appliance carefully. Check to ensure that no parts are broken or damaged in such a way that the appliance may no longer function correctly. If parts are damaged, have the parts repaired before using the appliance.
- ▶ Use chargers and the corresponding batteries in accordance with these instructions and as is specified for this particular model. Use of chargers for applications different from those intended could result in hazardous situations.
- ▶ Recharge the batteries only with the chargers specified by the manufacturer. A charger that is suitable for a certain type of battery may present a risk of fire when used with other types of battery.
- ▶ When not in use, keep the battery and the charger away from paper clips, coins, keys, nails, screws or other small metal objects that could cause a short circuit at the battery terminals or the charging contacts. A short circuit between the battery terminals or charging contacts may cause injuries (burns) and result in fire.
- ▶ Under abusive conditions, liquid may be ejected from the battery. Avoid contact with the liquid. If contact accidentally occurs, flush with water. If the liquid contacts the eyes, also seek medical attention. Liquid leaking from the battery may cause irritation or burns.
- ▶ **Make sure that the batteries suffer no mechanical damage.**
- ▶ Do not charge or continue to use damaged batteries (e.g. batteries with cracks, broken parts, bent or pushed-in and/or pulled-out contacts).

2.3 Battery use and care

- ▶ Observe the special regulations and instructions applicable to the transport, storage and use of Li-ion batteries.
- ▶ Do not expose batteries to high temperatures, direct sunlight or fire.
- ▶ Do not disassemble, crush or incinerate batteries and do not subject them to temperatures over 80 °C.
- ▶ Do not use or charge batteries that have suffered mechanical impact, have been dropped from a height or show signs of damage. In this case, always contact your **Hilti Service**.
- ▶ If the battery is too hot to touch it may be defective. In this case, place the product in a non-flammable location, well away from flammable materials, where it can be kept under observation and allowed to cool down. In this case, always contact your **Hilti Service**.

2.4 Additional safety instructions

Personal safety

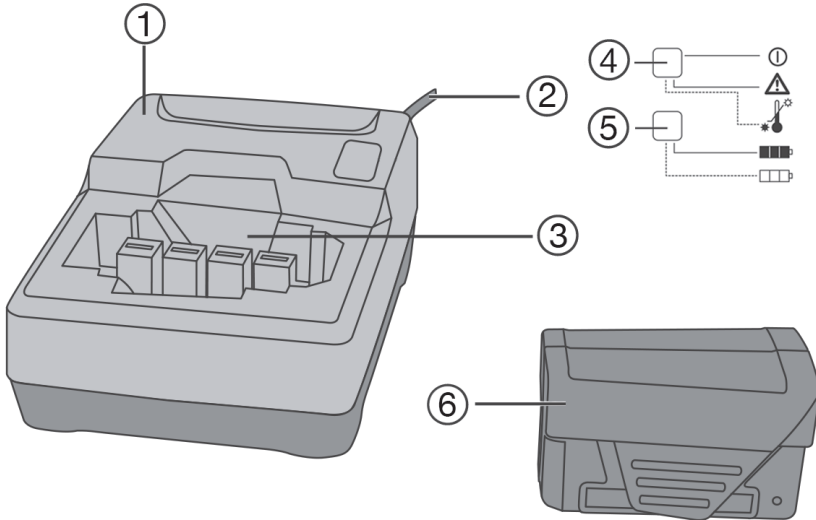
- ▶ **Check to ensure that the charger is standing securely.** A falling battery or charger may present a risk of injury to yourself and others.
- ▶ **Do not touch the contacts.**
- ▶ Batteries that have reached the end of their life must be disposed of safely and correctly to avoid environmental pollution.
- ▶ This appliance may be used by children 8 years of age or older and by persons with physical, sensory or mental disabilities or little relevant experience or know-how so long as they are supervised or they have received instruction on the safe use of the appliance and on the potential resulting hazards. Do not allow children to play with the appliance. Do not allow unsupervised children to clean the appliance or to perform maintenance tasks intended to be carried out by users.
- ▶ **Do not wear jewelry such as rings or chains.** Jewelry could cause a short circuit resulting in personal injury in the form of burns.
- ▶ **Store power tools out of reach of children when not in use. Do not allow persons who are not familiar with the tool or these instructions to operate it.**
- ▶ Do not touch the supply cord or extension cord if they are damaged while working. Disconnect the supply cord plug from the power outlet. Damaged supply cords or extension cords present a risk of electric shock.
- ▶ **Never operate the appliance when it is dirty or wet.** Dust (especially dust from conductive materials) or dampness adhering to the surface of the appliance may, under unfavorable conditions, lead to electric shock.
- ▶ **Dirty or dusty power tools that have been used frequently for work on conductive materials should be checked at regular intervals by Hilti Service.**

Service

- **Have the appliance serviced by a qualified repair person using only genuine Hilti spare parts.** This ensures that the safety of the product is maintained.

3 Description

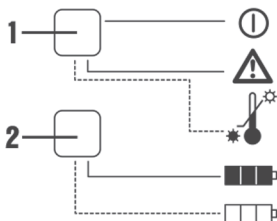
3.1 Product overview



- | | |
|-----------------------|-------------------------------------|
| ① Charger | ④ Operating status indicator |
| ② Cord | ⑤ Battery state of charge indicator |
| ③ Battery compartment | ⑥ Battery type B 7 |

3.2 LED display elements on the charger

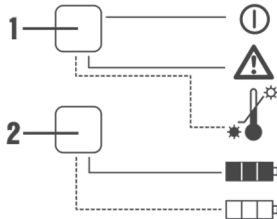
Operating status indicator (1)



LED lights up green	The charger is in operating condition.
LED flashes red	The battery is too cold (< 0 °C) or too hot (> 50 °C) and is not charging. The charger switches automatically into the charging mode as soon as the battery reaches the appropriate temperature.

<p>The LED lights up red LED does not light up.</p>	<p>No power supply or the charger is defective. Unplug the supply cord from the power outlet and then plug the supply cord into the power outlet again. If the LED still does not light up, contact Hilti Service.</p>
---	---

Charge state indicator (2)



LED flashes green	The battery will be charged.
LED lights up green	The battery is fully charged.
LED does not light up.	The battery is not correctly plugged in or is defective. Remove the battery and insert it again in the battery compartment. If the LED still does not light up, contact Hilti Service.

3.3 Intended use

The product described is a battery charger for **Hilti** Li-ion batteries of the type B 7. It is designed to be connected to power outlets providing an AC voltage (alternating current) of 220 to 240 volts. The batteries approved for use with this product can be found in the technical data.

3.4 Items supplied

Charger, operating instructions.

Other system products approved for use with this product can be found at your local **Hilti Store** or at: www.hilti.group.

4 Technical data

4.1 Product properties

Cooling	Cooling by convection
Mains (AC) voltage	220 V ... 240 V
AC frequency	50 Hz ... 60 Hz
Battery	Li-ion
Output voltage	7.2 V
Output power	12.6 W
Supply cord length	≈ 2 m
Weight	0.775 kg
Dimensions (L x W x H)	152 mm x 102 mm x 58 mm
Control	Electrical charging monitoring and control via microcontroller
Protection class	Protection class II (double insulated)

4.2 Temperature specifications

Battery charging starting temperature	-10 °C ... 45 °C
Storage temperature	-20 °C ... 40 °C
Ambient temperature for operation	-17 °C ... 60 °C

4.3 Battery charging times

Voltage	Battery type	Charging time
7.2 V	B 7/1.5 Li-Ion	≈ 45 min
7.2 V	B 7/2.0 Li-Ion	≈ 60 min

5 Operation

5.1 Switching the charger on

- ▶ Plug the supply cord into the power outlet.
 - ↳ LED 1 on the charger lights up green.

5.2 Charging the battery

1. Make sure that the contacts on the battery and the contacts on the charger are clean and dry.
 - ↳ A list of the batteries approved for use with this product can be found at the end of this document.
2. Push the battery into the interface of the charger. Check that the encoding of the battery and charger interface match.
 - ↳ Charging begins automatically after insertion of the battery in the charger. The state of charge indicator on the battery is deactivated during charging.



The battery will suffer no damage when left in the charger for long periods.

For safety reasons, the battery should, however, be removed from the charger after completion of charging.

5.3 Inserting the battery

CAUTION

Risk of injury by short circuit or falling battery!

- ▶ Before inserting the battery, make sure that the contacts on the battery and the contacts on the product are free of foreign matter.
 - ▶ Make sure that the battery always engages correctly.
1. Charge the battery fully before using it for the first time.
 2. Push the battery into the battery holder until it engages with an audible click.
 3. Check that the battery is seated securely.

5.4 Removing the battery

1. Press the release buttons on the battery.
2. Pull the battery out of its holder in the device.

6 Care and maintenance

WARNING

Electric shock hazard! Attempting care and maintenance with the supply cord connected to a power outlet can lead to severe injury and burns.

- ▶ Always unplug the supply cord before carrying out care and maintenance tasks.

Care

- Carefully remove any dirt that may be adhering to parts.
- Clean the air vents carefully with a dry brush.

- Use only a slightly damp cloth to clean the casing. Do not use cleaning agents containing silicone as these may attack the plastic parts.

Maintenance



WARNING

Danger of electric shock! Improper repairs to electrical components may lead to serious injuries including burns.

- ▶ Repairs to the electrical section of the tool or appliance may be carried out only by trained electrical specialists.
-
- Check all visible parts and controls for signs of damage at regular intervals and make sure that they all function correctly.
 - Do not operate the product if signs of damage are found or if parts malfunction. Have it repaired immediately by **Hilti Service**.
 - After cleaning and maintenance, fit all guards or protective devices and check that they function correctly.



To help ensure safe and reliable operation, use only genuine Hilti spare parts and consumables. Spare parts, consumables and accessories approved by Hilti for use with the product can be found at your local **Hilti Store** or online at: www.hilti.group | USA: www.hilti.com

7 Disposal



WARNING

Risk of injury. Hazards presented by improper disposal.

- ▶ Improper disposal of the equipment may have the following consequences: The burning of plastic components generates toxic fumes which may present a health hazard. Batteries may explode if damaged or exposed to very high temperatures, causing poisoning, burns, acid burns or environmental pollution. Careless disposal may permit unauthorized and improper use of the equipment. This may result in serious personal injury, injury to third parties and pollution of the environment.
- ▶ Dispose of defective batteries right away. Keep them out of reach of children. Do not disassemble or incinerate the batteries.
- ▶ Batteries that have reached the end of their life must be disposed of in accordance with national regulations or returned to **Hilti**.

Most of the materials from which **Hilti** tools and appliances are manufactured can be recycled. The materials must be correctly separated before they can be recycled. In many countries, your old tools, machines or appliances can be returned to **Hilti** for recycling. Ask **Hilti Service** or your Hilti representative for further information.

In accordance with the European Directive on waste electrical and electronic appliances and its implementation in conformance with national law, electrical and electronic appliances that have reached the end of their life must be collected separately and returned to an environmentally compatible recycling facility.



- ▶ Do not dispose of electrical and electronic appliances together with household waste!

8 RoHS (Restriction of Hazardous Substances)

Click on the links to go to the table of hazardous substances: qr.hilti.com/2076993.

There is a link to the RoHS table, in the form of a QR code, at the end of this document.

9 Manufacturer's warranty

- ▶ Please contact your local **Hilti** representative if you have questions about the warranty conditions.



B 7/1.5 (01)

B 7/2.0 (01)



Hilti Corporation
Feldkircherstraße 100
9494 Schaan | Liechtenstein

C 7 (01)

[2010]

2014/35/EU

EN ISO 12100

2014/30/EU

EN 60335-1-1

2011/65/EU

EN 60335-2-29

Schaan, 10/2018

Norbert Wohlwend

Head of Quality and
Process-Management
BA Electric Tools & Accessories

Dr. Lars Taenzer

Head of BU Direct Fastening
BU Direct Fastening



C7



Hilti Corporation
LI-9494 Schaan
Tel.:+423 234 21 11
Fax:+423 234 29 65
www.hilti.group



2164701



Hilti Connect