

BX 3 02 NAIL SELECTOR, TOOL SIGNALIZATION OVERVIEW

Hilti Connect

Download



	BX 3 02	BX 3-L 02		
	X-C 24 B3 MX	X-C 20 B3 MX X-C 24 B3 MX	X-C 20 B3 MX X-P 17 B3 MX	X-S 14 B3 MX
	—	X-C 36 B3 MX	—	—
	X-C 24 B3 MX X-C 20 B3 MX		X-P 20 B3 MX	X-S 14 B3 MX
	X-P 20 B3 MX X-P 17 B3 MX	—	X-P 17 B3 MX	X-S 14 B3 MX
	—	X-C 24 B3 MX X-C 20 B3 MX	—	X-S 14 B3 MX
	BX 3 02	max. 30mm		
	BX 3-L 02	max. 36mm		









?	

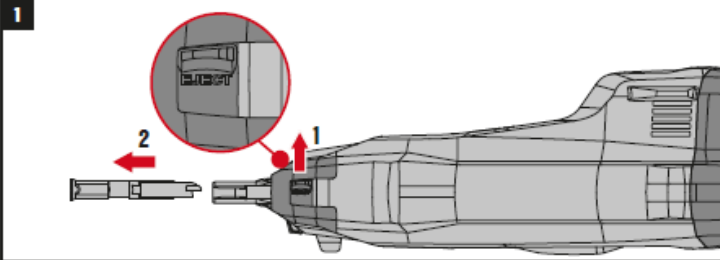
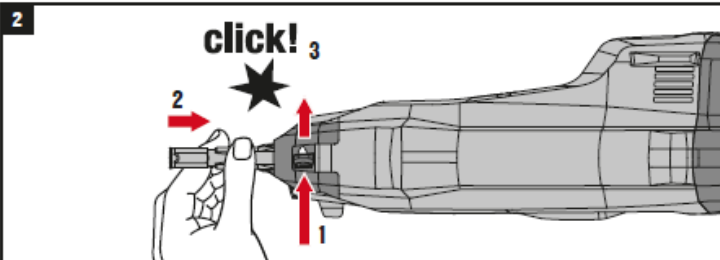
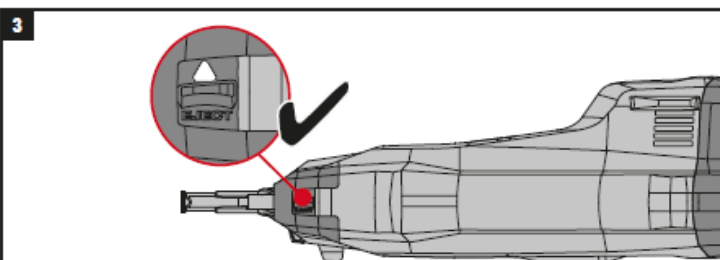
BX 3 02 FASTENER GUIDE



Fastener Guides
BX 3 02

2192780 A1-07.2017

	X-FG B3-IF 02 # 2179275		BX 3 02 BX 3-L 02
	X-FG B3-ME 02 # 2179276		
	X-FG B3-WH 02 # 2179277		BX 3-IF BX 3-ME BX 3-ME 02 BX 3-BT 02
	X-FG B3-WHC 02 # 2179350		
	X-FG B3-PH 02 # 2179278		
	X-FG B3-PHD 02 # 2179279		

	1
	2 click! 3
	3